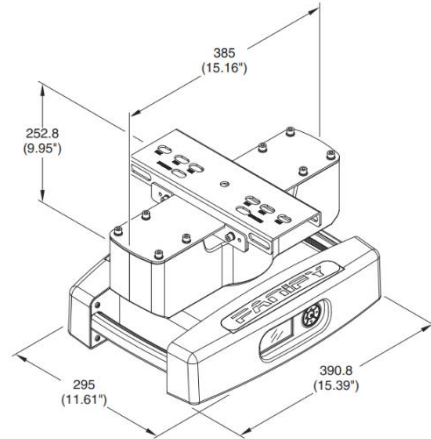
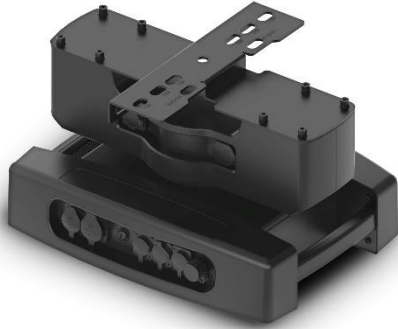


MODEL: PANIFY 2

CODE: CA3050

July 19, 2024



CONTROL & CONNECTIONS:

- Personalities:**
- Single mode with 5 control channels
- Protocols:**
- DMX, Art-Net, sACN, RDM
 - DMX + Ethernet (Base to head)
- Connectors:**
- Locking 5 pin XLR IN/OUT (Base)
 - Locking 5 pin XLR OUT (Head)
 - RJ45 IN/OUT (Base)
 - RJ45 OUT (Head)
- Power con.:**
- PowerCon True1 IN/OUT (Base)
 - PowerCon True 1 OUT (Head)
- Web server:**
- Built-in
- CloudIO:**
- Fully compatible

DYNAMIC EFFECTS:

- Rotating effects:**
- Pan endless
 - MAX rotating speed: 43 rpm
- MAX applicable weight:**
- 30 Kg*
 - * (with the weight of the fixture balanced on the Panify)

HARDWARE & SOFTWARE:

- Long life self-charging battery
- Display graphic LCD backlit B/W display
- Firmware upload from another fixture
- Firmware upgrade via Web Server
- Diagnostic
- DMX monitoring
- Remote access through RDM

HOUSING:

- Aluminium and steel structure with plastic covers
- Two side handles for transportation
- IP66 protection rate
- Working in any position
- Hanging system: with fast-lock Omega clamps (1/4) turn on the base

ELECTRICAL:

- Operating voltage:**
- 100-120 / 200-240V, 50/60 Hz
- Power Supply:**
- Electronic auto range with active PFC
- MAX power consumption:**
- 220W
- Mains out:**
- 2300 VA @ 230V; 1250 VA @ 110V

THERMAL SPECIFICATION:

MAX Ambient temperature: • 45°C (113°F)

Min Ambient Temperature: • -20°C (-4°F)

SAFETY SPECIFICATIONS:

Protections: • Forced ventilation with axial fans
• Fuse T10A – 250V

COMPLIANCE:

CE Marking (in conformity to the following):

- 2014/35/EU – Low Voltage Directive (LVD)
- 2014/30/EU – Electromagnetic compatibility (EMC)
- 2011/65/EU - Restriction of the use of certain hazardous substances (RoHS)

UKCA conforms to UK regulations:

- S.I. 2016 N.1101
- S.I. 2016 N.1091
- S.I. 2012 N.3032

cMETus LISTED:

- UL 962
- CSA C22.2 N.68-18

PACKAGING:

- Carton box + Polystyrene
- Flight case + Foam shell (4 positions)

WEIGHT & SIZES:

Weight: • 13,8 Kg (30,4 lbs)

Base dim.s: • 390,8 x 295 mm
• 15,39 x 11,61 In

Height (h): • 252,8 mm
• 9,95 In

Dist. b/t 2 fixt: • It varies depending on the fixture mounted on the product

ACCESSORIES:

Omega bracket: • 2x183102/805 (Included)

ETL Power: • CAB02B-802 (Included)*
* Cord 1.5 m (bare end with IP65 PowerConTrue1 conn.)

Power cable: • 0,5 mt CAB0PR/801 (Included)

DMX cable: • 0,5 mt 2x CAB0PS/801 (Included)

Safety chain: • 0,5 mt 2x FUN00C/001 (Included)

Screws / Bolts / Washers: • 4x418100-801 (Included)

Safety Chain: • 105041-003 (Optional)

Clamp: • C21070 (Optional)

PowerCon True 1 con.: • CON000 (Optional)

Universal bracket: • CA3017000102 (Optional)

Foam shell: • CA3006C41120F (Optional)

Flight case 4 pos.: • CF1016F (Optional)