

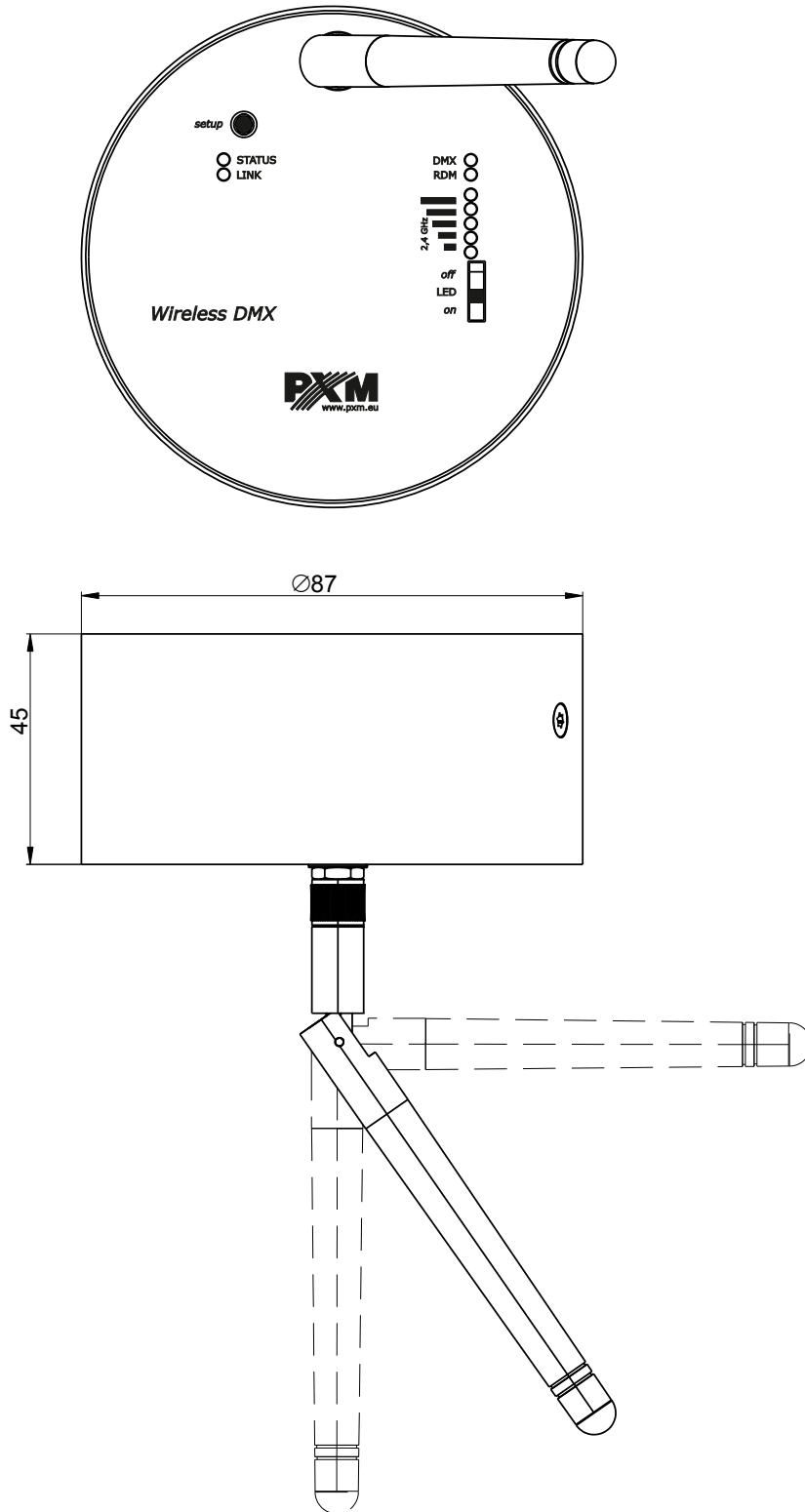


Device description

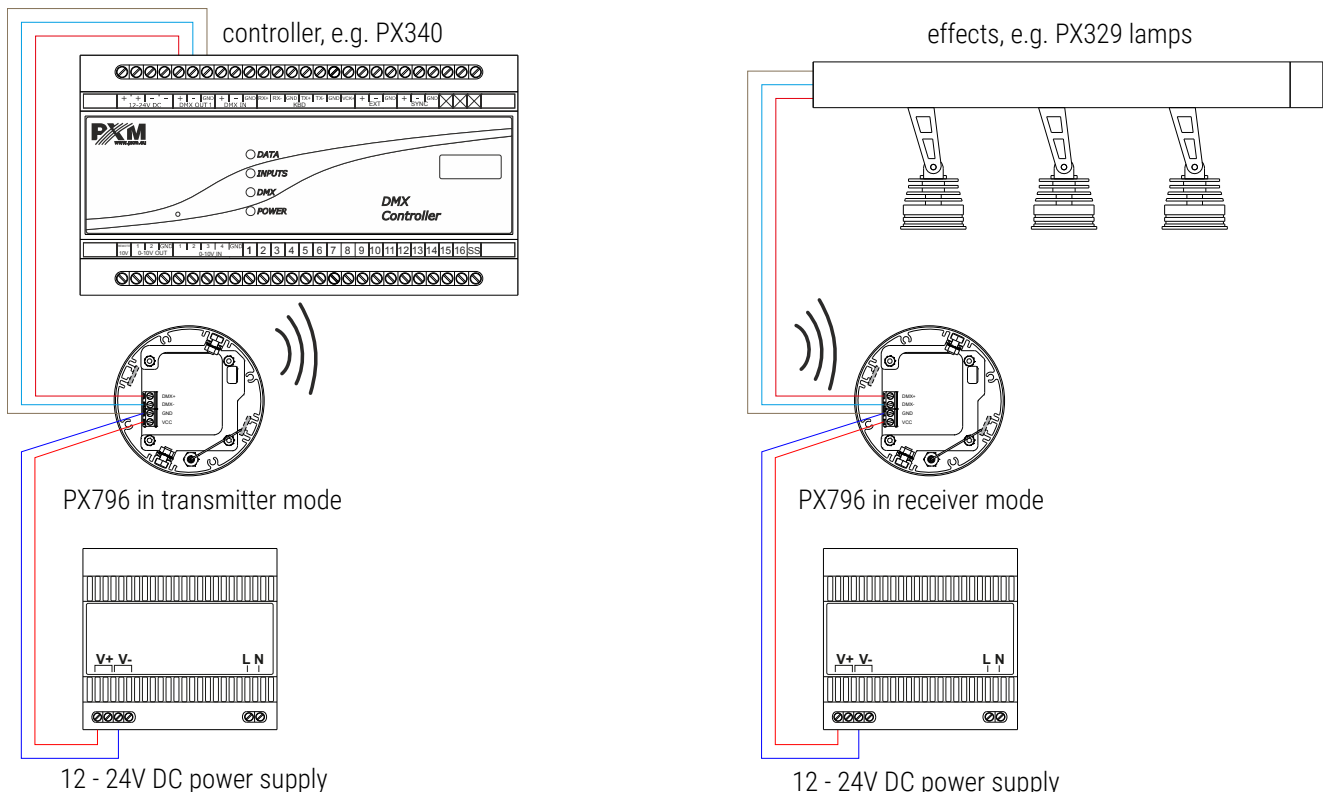
PX796, depending on the configuration, can be a transmitter or a receiver of a wireless DMX signal.

Wireless DMX is a device that allows you to connect easily, without using wires, installations based on the DMX512 control system. In order to create an installation using wireless DMX signal transmission, two devices of this type should be used, set in transmitting and receiving mode (works with PX795 and PX796-IP). Configuration is very simple and is carried out at the touch of a button. The 2.4GHz band in which communication occurs ensures long range and unnoticeable delays.

The PX796 has a metal housing adapted for wall mounting (or to a standard $\varnothing 60\text{mm}$ flush-mounted box) and is supplied with 12 – 24V DC safe voltage.



Connection diagram



Technical data

| | |
|----------------------------------|-------------------------------|
| type | PX796 |
| power supply | 12 – 24V DC |
| number of DMX channels | 512 |
| RDM protocol support | yes |
| transmission speed | 0.8 – 830 fps |
| output power | 5 – 20 dBm |
| frequency | 2.4GHz |
| range (receiver – transmitter) * | max. 1km |
| operating mode | transmitter / receiver |
| power consumption | max. 0.5W |
| weight | 0.2kg |
| dimensions | diameter: 87mm depth: 45mm |

* - in open space and in favorable weather conditions, without any obstacles between devices

