

PX724

Gate 4

DMX RDM

User manual



# Table of Contents

1 Description.....	4
2 Safety conditions.....	5
3 Connectors and control elements.....	6
4 Programming the device.....	7
4.1 Button features.....	7
4.2 Description of information parameters.....	8
4.3 Network settings.....	9
4.4 DMX IN / OUT port settings.....	10
4.5 Art-Net/sACN protocol change.....	11
4.6 Art-Net configuration in mode Art-Net → DMX.....	12
4.7 Art-Net configuration in mode DMX → Art-Net.....	14
4.8 sACN configuration.....	16
4.9 Presets menu.....	16
4.10 Settings for the other parameters.....	17
4.10.1 Art-Net / sACN signal loss.....	17
4.10.2 DMX parameters.....	18
4.10.3 RDM.....	20
4.10.4 Dimming the screen and LEDs.....	20
4.10.5 RDM devices detected.....	21
5 Indicator lights.....	22
6 PX724 cooperation with the grandMA2 console.....	24
7 Art-Net commands.....	27
8 Upgrade.....	28
9 Connection scheme.....	30
10 Dimensions.....	31
11 Technical data.....	32

*Manufacturer reserves the right to make modifications in order to improve device operation.*

PXM Marek Żupnik sp.k.

Podłęże 654

32-003 Podłęże

BDO register number 000005972

tel. +48 12 385 83 06

mail: [info@pxm.pl](mailto:info@pxm.pl)

[www.pxm.pl](http://www.pxm.pl)

Firm. 1.10

Rev.2-0

23.05.2023

# 1 Description

---

Gate 4 DMX RDM is a gate that converts Art-Net / sACN signals to four output DMX-RDM ports. From software version 1.01, the device also allows conversion of DMX512 signal to Art-Net / sACN. The device is designed to run from 230V AC mains. This gate has a solid, metal housing protecting against mechanical damage.

The device comes equipped with an Ethernet interface working in 10/100BaseTX protocol. The gate offers two modes of merging signals from two sources: HTP and LTP. The protocol version used is Art-Net 4 (compatible 1 – 4).

The DMX512 ports are optically isolated XLR connectors, resistant to mechanical damage.

In addition, on the device there are six LED indicator lights: two network ones and four showing port's status.

The gate has a display and four buttons that allow to change the configuration: Art-Net / sACN, Ethernet and DMX settings (such as: Brake, MAB, MBF and the number of DMX channels transmitted).

The user can order additional components to be shipped with the device, allowing for: installation of a single gate in a RACK cabinet, installation of two gates in a RACK cabinet, suspending a gate (e.g. from a truss).

## 2 Safety conditions

---

Gate PX724 is powered directly from standard 230V AC grid what can cause electric shock when safety rules are not observed.

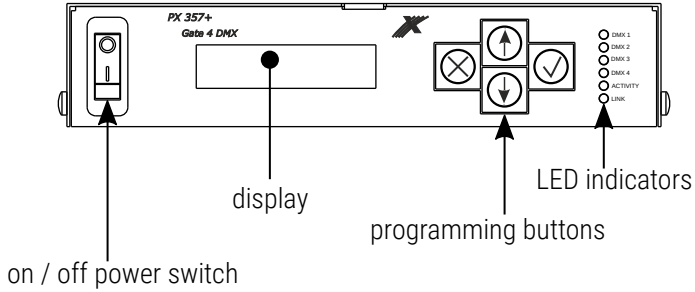
Therefore it is necessary to observe the following:

1. Installation, particularly power connection, should be performed by a person holding the appropriate qualifications, according to instruction manual.
2. Gate can be connected only to grid, which has protecting installation in working order (3-wire grid).
3. All the conductors should be protected against mechanical and thermal damage.
4. In the event of damaging any conductor, it should be replaced with a conductor of the same technical data and attestations.
5. Device with visible mechanical damage cannot be connected to the mains.
6. All repairs, should be made with cut off power supply.
7. The device should be strictly protected against water and other liquids.
8. All sudden shocks, particularly dropping, should be avoided.
9. The device cannot be used in places with temperature lower than 2°C or higher than 40°C.
10. The device cannot be turned on in places with humidity exceeding 90%.

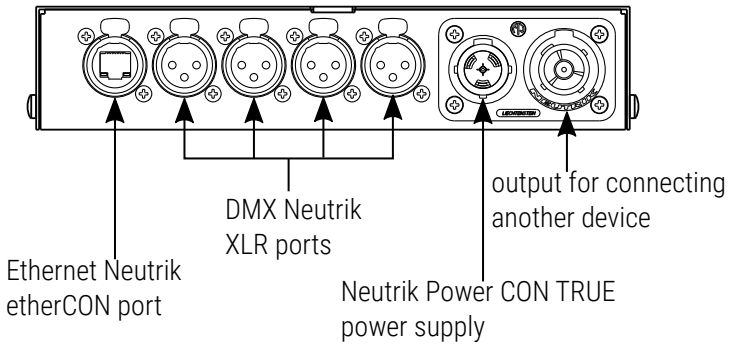
- 11. Clean with damp cloth only – gate should be cut off from power supply.

### 3 Connectors and control elements

Front of the device:



Device rear panel:




# 4 Programming the device

---

## 4.1 Button features

- ✕ (escape) - allows you to exit the parameter being programmed without saving any changes or to move to a higher menu level
- ↓ (next) - moves you back through the menu or decreases values being set
- ↑ (previous) - moves you forward through the menu or increases values being set
- ✓ (enter) - allows you to enter the programming mode and confirm the values set

Where a particular parameter is editable, in the bottom right-hand corner the edit symbol , and pressing ✓ allows you to proceed to edit the first field.

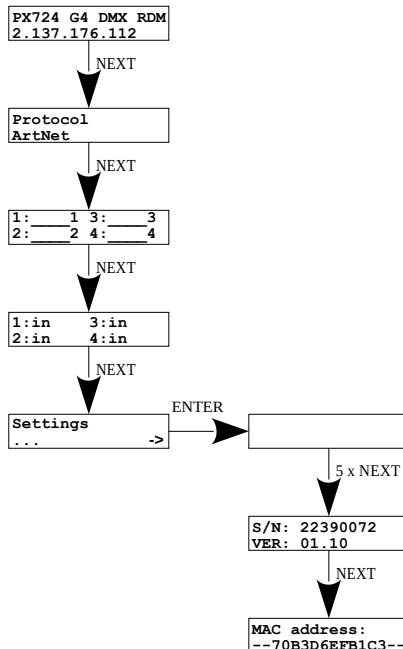
A field that is editable is shown within square brackets [...], and the ↓ / ↑ button allows you to change the value of such a field. If you press ✓ you will be taken to another field or the value will be saved and you will exit the edit mode for a give parameter.

The icon -> allows you to go deeper into the command tree.

## 4.2 Description of information parameters

The PX724 provides you with the following device information, such as:

- gateway model and current IP address (if an IP address is assigned with DHCP, the symbol \* is added),
- protocol (*Art-Net* / *sACN*),
- universe numbers on DMX ports,
- signal conversion direction (*in* / *out*),
- serial number of the gateway and version of the installed software,
- individual MAC address of the device.

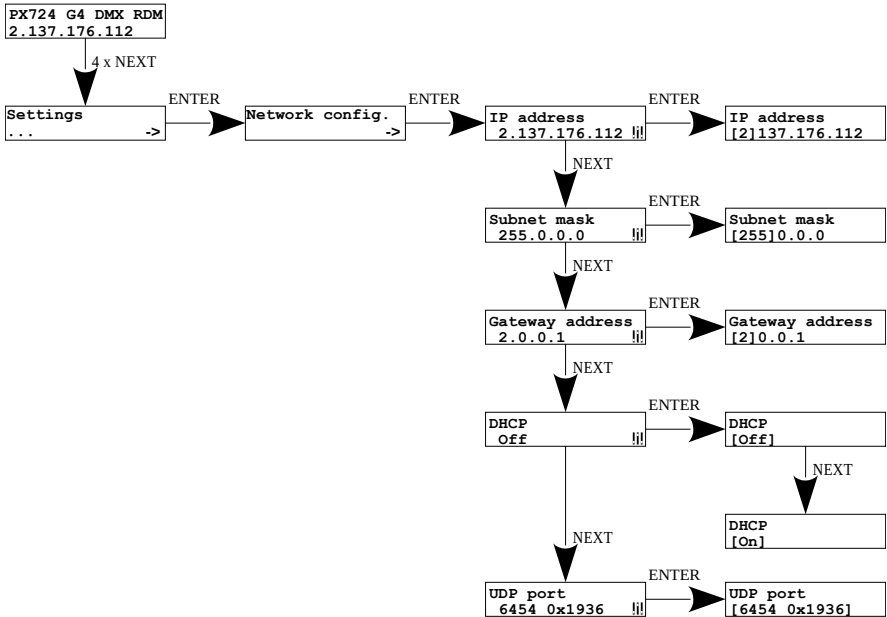




## 4.3 Network settings

In the *Network config.* menu of the device you can change the gate static IP address *IP address*, static sub-net mask *Subnet mask*, default static gate *Gateway address*, turn *On* or turn *Off* the DHCP protocol *DHCP*, *UDP port*. The default port for the Art-Net protocol is port 0x1936 (6454 decimal).

If DHCP is *turned off*, the gate operates in a static configuration (*IP address*, *IP address*, *Gateway address*). If DHCP is *turned on*, the gate will start up using static settings, but will attempt to acquire new network configuration from the DHCP server.



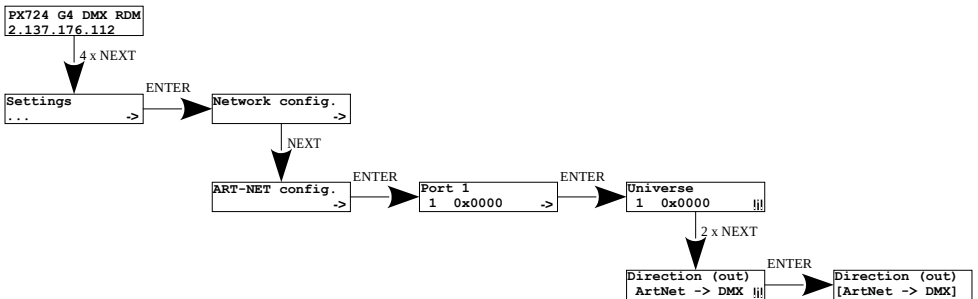
## 4.4 DMX IN / OUT port settings

The gate can operate in four signal conversion configurations:

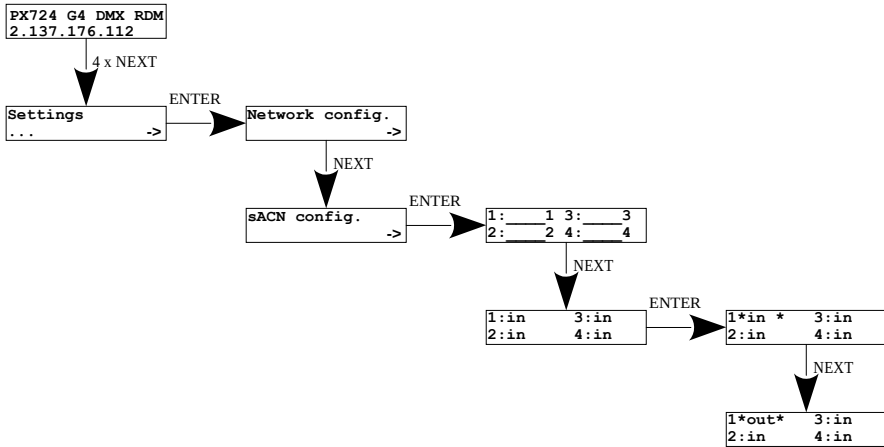
- Art-Net → DMX,
- DMX → Art-Net,
- sACN → DMX,
- DMX → sACN.

To change the settings, set DMX ports 1, 2, 3 or 4 appropriately. The options are *in* and *out*. After selecting *out* the signal is converted from the Art-Net or sACN to the DMX output, analogically after selecting the *in* option, the signal from the DMX input is converted to Art-Net or sACN signal with the signal connection set (HTP / LTP) **Merge mode**. For each port, the settings can be changed in the Art-Net network configuration **ART-NET config.** in the **Port n** menu. Information about the status of ports is available from the main menu.

### Setting up in Art-Net mode:



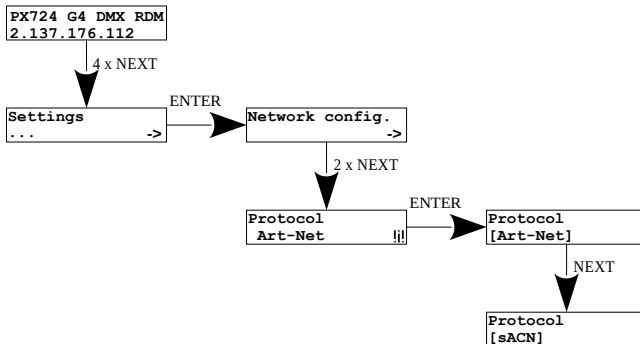
## Setting up in sACN mode:



## 4.5 Art-Net/sACN protocol change

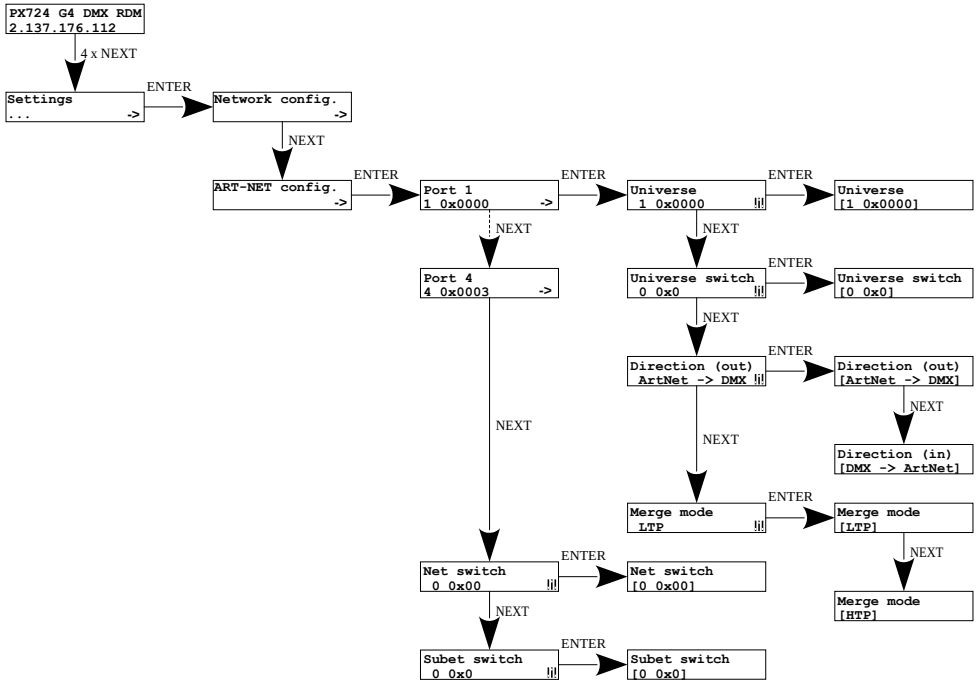
Before advanced configuration, the user should select the protocol in which the gateway is to operate. There are two options to choose from:

- *Art-Net*,
- *sACN*.



## 4.6 Art-Net configuration in mode Art-Net → DMX

Below is a diagram showing the *ART-NET config.* menu and a description of individual parameters that can be changed depending on the user's needs.



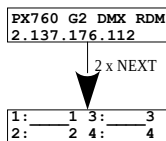
### Parameters:

- **Port 1 – 4** – individual settings of Art-Net ports
- **Universe** – the universe number on which a given port runs. The selectable range is 0 – 32767. The number is displayed in two formats: decimal and hexadecimal.

Hexadecimal notation allows you to easily differentiate universe components, for example: **0xNNSU**, where:

- **NN**: (Net switch) network number in the Art-Net protocol (range 0 – 127 dec, 0x0 – 0x7f hex)
- **S**: (Sub-Net switch) sub-net number in the Art-Net protocol (range 0 – 15 dec, 0x0 – 0xf hex)
- **U**: Universe switch

Using **Universe** you can change all 3 universe number components (**Net switch**, **Sub-Net switch** and **Universe switch**). There is a possibility of quick preview from the main menu of Universes assigned to a given port, the diagram below:



**NOTE!** A change of a port universe number that entails changing the components Net or Sub-Net will automatically result in a change of the universe of the other ports. This is due to specific nature of the Art-Net protocol addressing, where the gate has a common value for the fields Net and Sub-Net for all the four ports.

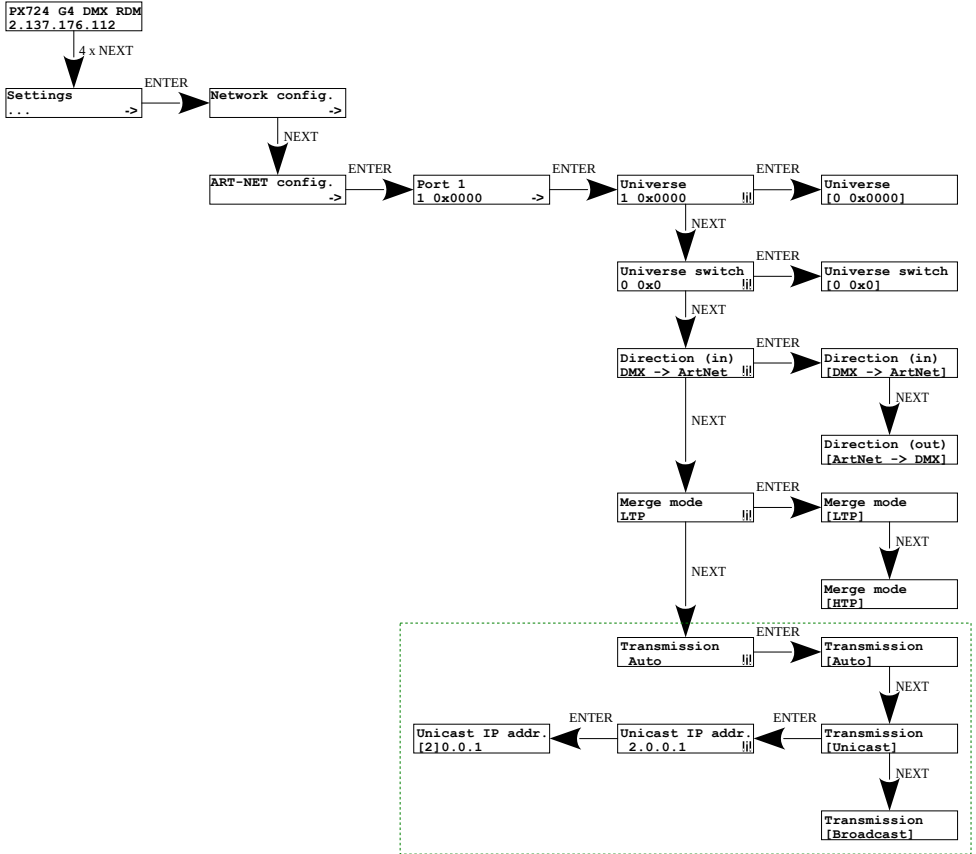
- **Universe switch** – universe number in the Art-Net protocol (range 0 – 15 dec, 0x0 – 0xf hex). Individual setting of a Universe switch value for a given port. It is a component of the entire Universe number for the port.

- **Direction** – setting the direction of signal conversion. Available Art-Net on DMX or DMX on Art-Net.
- **Merge mode** – port merging mode setting. Available values of **LTP** (Latest Takes Precedence) and **HTP** (Highest Takes Precedence).
- **Net switch** – setting a network value in the Art-Net protocol. It is a common setting for all the ports. The range is 0 – 127 (0x00 – 0x7f).
- **Subnet switch** – setting a sub-network value in the Art-Net protocol. It is a common setting for all the ports. The range is 0 – 15 (0x0 – 0xf).

## 4.7 Art-Net configuration in mode DMX → Art-Net

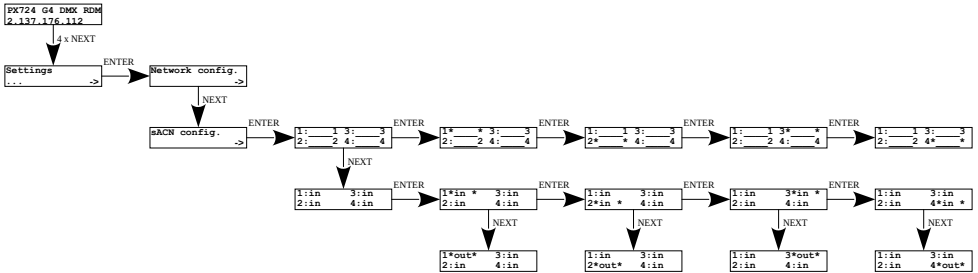
In the PX724 gate in the mode of converting the signal from DMX512 to Art-Net after the change of **Direction** in the chosen port on DMX → Art-Net the **Transmission** parameter appears in their place, in which options are available:

- **Unicast** – transmission, in which exactly one packet is sent to exactly one recipient – there is only one sender and only one recipient. After selecting this option, the recipient's IP address will appear on the screen.
- **Broadcast** – transmission mode consisting in sending by one port of packets that should be received by all other ports connected to a given network – one sender and many recipients
- **Auto** – the device sends packets only to "interested" devices with given packets. Based on the ArtPoll query and the obtained ArtPollReply response from another device, the PX724 creates an IP list to send packets.



## 4.8 sACN configuration

Below is a diagram showing the **sACN config.** menu and a description of individual parameters that can be changed depending on the user's needs.

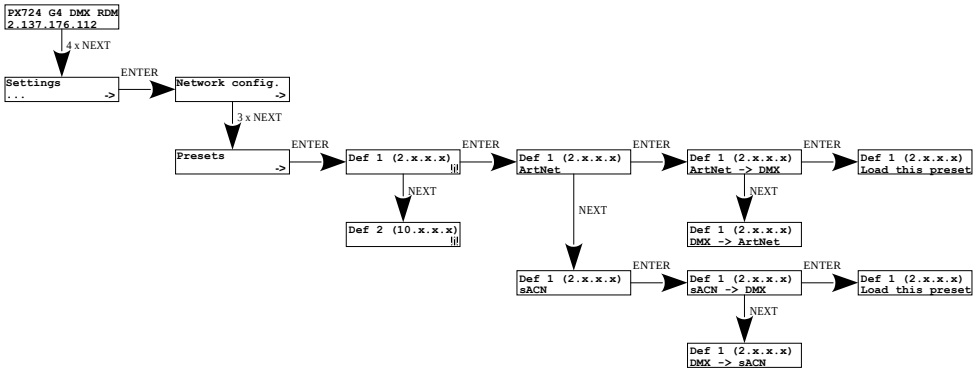


Parameters:

- **Port 1 – 4** – universe settings on DMX ports,
- **Port 1 – 4: in / out** – setting the direction of signal conversion.

## 4.9 Presets menu

In the gate are predefined 2 standard sets of factory settings: **2.x.x.x** and **10.x.x.x**, which additionally have the option of global change of signal conversion direction (**in / out**) and protocol change (**Art-Net / sACN**).



**NOTE!** Loading any preset will disable RDM on all DMX ports.



## 4.10 Settings for the other parameters

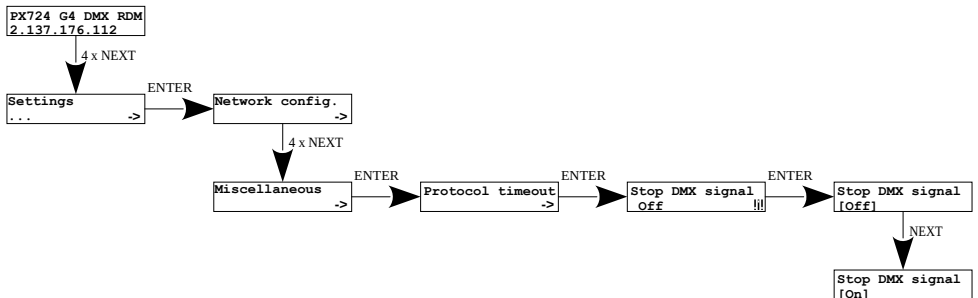
The menu containing the remaining *Miscellaneous* screen settings allows you to:

- changing the device's behavior when the Art-Net / sACN signal disappears,
- changing DMX signal parameters,
- changing RDM settings,
- turning on or off the screen saver and signal diodes,
- displaying the number of detected devices supporting the RDM protocol on a given DMX port.

### 4.10.1 Art-Net / sACN signal loss

In the *Protocol timeout* menu, the user can define the *Stop DMX signal* parameter:

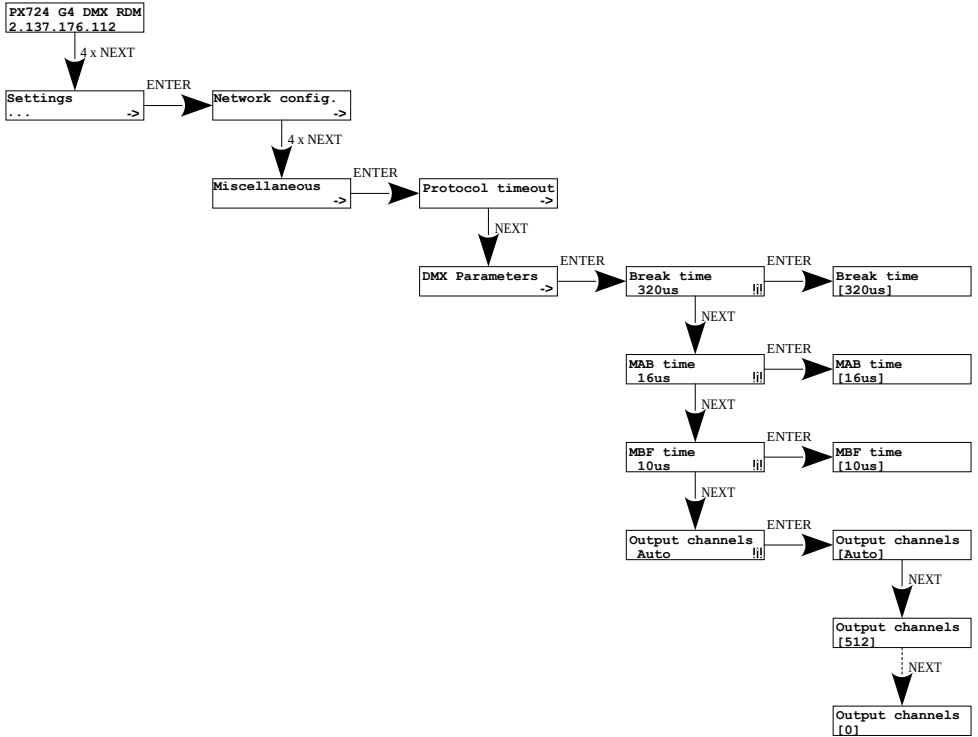
- **On** – turns off DMX transmission when the Art-Net / sACN signal disappears,
- **Off** – ports continue transmitting the last value.



## 4.10.2 DMX parameters

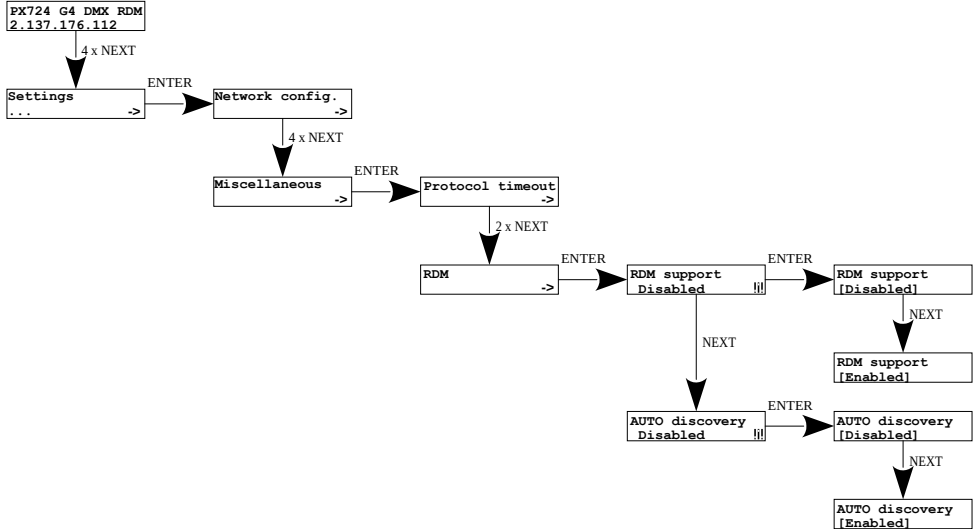
Global configuration of DMX parameters:

- **Break time** – duration of a low state along the line at the beginning of DMX packet transmission (range  $176\mu\text{s}$  –  $352\mu\text{s}$ ),
- **MAB time** – (Mark After Break) – MAB length – interval after the break that is present in each packet according to standard DMX512 (range  $12\mu\text{s}$  –  $88\mu\text{s}$ ),
- **MBF time** – (Mark Between Frames) – interval between DMX512 frames (channels). MBFs separate stop bits of one channel from the start bits of another channel (range  $0\mu\text{s}$  –  $76\mu\text{s}$ ).
- **Output channels** – defines the number of channels sent out through a given port
  - **Auto** – the number of channels in a port is equal to the number of channels received by the Art-Net protocol,
  - **0 – 512** – you can force broadcasting of the selected number of channels in the range from 0 – 512.



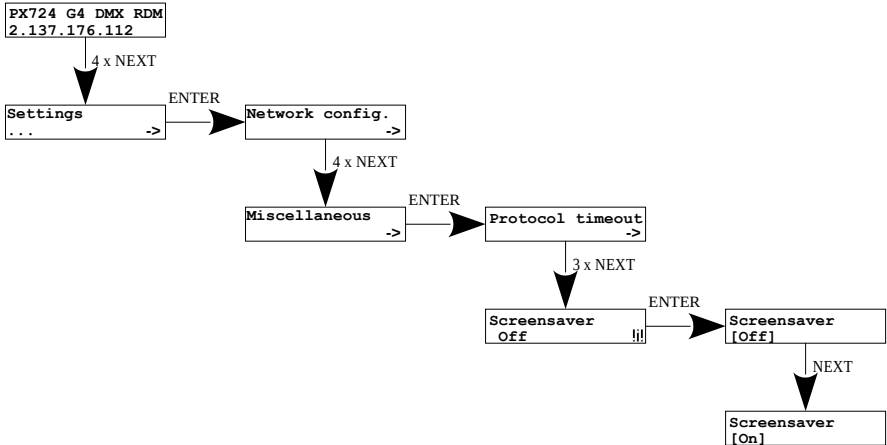
## 4.10.3 RDM

RDM protocol configuration for a given port. You can enable / disable support for RDM commands *RDM support* and enable / disable continuous search for devices supporting the *RDM Auto discovery* protocol. When you start the device, it is automatically searched for.



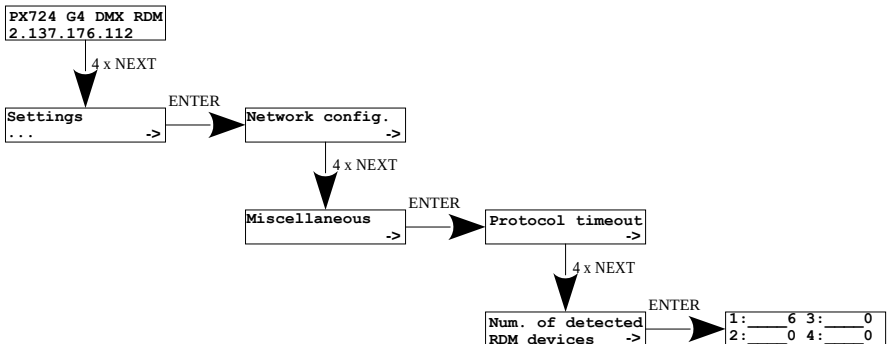
## 4.10.4 Dimming the screen and LEDs

Turning the screensaver and the signal diodes *on* or *off* is available in the *Screensaver* menu. After 15 seconds, the display and all signal diodes turn off. The device continues to operate without interfering with other parameters. To restore the backlight, press any key.



#### 4.10.5 RDM devices detected

At this menu level, it is also possible to check the number of detected devices supporting the RDM protocol on a given DMX port **Num. of detected RDM devices** (the diagram shows 6 detected devices connected to the first DMX port).



## 5 Indicator lights

---

The indicator diodes on the front panel of the gate provide information on the status of the unit: The four upper LEDs are bi-color ones (**blue – orange**) and communicate the status of DMX-RDM. Each diode is assigned to one of the four DMX ports.

Action	Function
blinking <b>blue</b> (every ~1s)	DMX transmission through the port concerned
blinking <b>blue</b> (every ~3s)	hold the last value <b><i>Stop DMX signal – On</i></b>
blinking <b>blue</b> (every ~0.5s)	transmission using merging (i.e. output data are a result of combining data from two Art-Net sources)
blinking in <b>orange</b> (every ~1s)	only RDM packets transmission through a given port
blinking <b>orange</b> (every ~0.5s)	searching for devices via RDM (if <b>[Auto discovery]</b> option is enabled, there is a single flash every 10s)
blinking in <b>blue</b> and <b>orange</b> alternately	DMX and RDM transmission on a given port

The above information refers to the so-called normal operating mode.

### Additional information communicated by the LED indicators:

- if the screen saver mode is enabled or an “Art-Net Mute Indicators” command has been received, all the diodes **go out**,
- if the gate receives an “Art-Net Indicate” command, all the diodes start **blinking**
- if Art-Net / sACN packets stop being received by a given port, then, depending on the *Protocol Timeout* option:
  - if *Stop DMX signal* is *Off* the port will continue to send the last values and the diode will continue to **blink in blue**,
  - if *Stop DMX signal* is *On* transmission through the port will stop and the diode **will go out**,

### Two single-color diodes at the bottom:

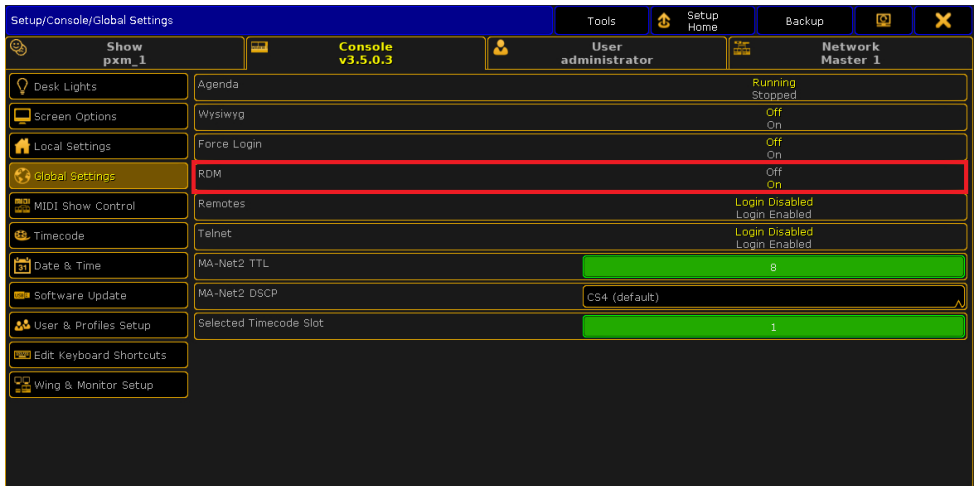
- **the yellow** means receiving / sending an Art-Net network packet or sending an sACN packet,
- **the green** one communicates the status of the Ethernet network, if the diodes emits continuous light, the network is connected, if the diode is not emitting light, there is no access to the network

# 6 PX724 cooperation with the grandMA2 console

The PX724 gate can work with the grandMA2 console, however, support for devices supporting the RDM protocol requires changing the console settings.

To operate RDM devices, the settings must be changed in the gate **[Auto discovery]** on enabled, the gate will continuously search for RDM devices. The next step is to enable RDM support in the grandMA2 console.

To do this, go to **Setup → Console → Global Settings**. Select **[RDM]** option and switch to **[On]** mode, below is a screenshot of the console:



Next, the **[Art-Net Output Active]** option should be run in the console. To start it, go to **Setup → Network → Network Protocols** in the console menu and attach it – orange backlight (screen on the next page).



Setup/Network/Network Protocols										Master 1		Network DMX if Alone
Art-Net		ETC Net2		Pathport		sACN		Shownet		Kinet1		Art-Net Output Active
Valid	Requested	Mode	Destination IP	LocalSt	Amount	Network	Subnet	Universe	Delay (m)	Info		
Yes	Yes	OutputAuto		1	8	1	0	0	0.00			
New												

The PX724 gate should be connected to the console via an Ethernet cable to the [ETHERCON 2 (ETH1)] connector with the IP address set so that the console is in the same network as the gate. If Gate 4 DMX RDM is on the 2.x.x.x network with the mask of 255.0.0.0, then for the device to work together, the console must be on the same network. These settings can be changed in the console by going to the **Setup → Network → MA Network Configuration**.

Setup/Network/MA Network Configuration										Save to Default		Load from Default		Master 1		X	
Console		onPC		NPU		3D		VPU		NDP Dimmer		DMX Node		Network Switch		Bridge	
IP	DHCP	IP	Hostname	Type	XLR A	XLR B	XLR C	XLR D	XLR E	XLR F	XLR In	MIDI TC					
ETHERCON 1(ETH0)	ETHERCON	ETHERCON 2(ETH1)	RUJA2	Light	Out 1	Out 2	Out 3	Out 4	Out 5	Out 6	Off	TC Slot 1					
192.168.0.2		2.0.0.10															
New																	

If everything is correctly configured, the gate continuously searches for the devices supporting the RDM protocol, the console is in the same network as the gate and has enabled RDM and Art-Net Output Active support. After adding the main RDM window to the main screen, you should see a list of all devices that supported the RDM protocol:

ID Fixture	ID Channel	Name	Universe	DMX START	MANUFACTURER LABEL	DEVICE MODEL DESCRIPTION	DEVICE LABEL	DMX PERSONALITY
Unmatched	Unmatched	0000505806603E43	3	1	PXM sp.k.	PX713	PX713	1 DMX 1 / Serial Driver
Unmatched	Unmatched	000050585700DFD3	2	1	PXM sp.k.	PX713	PX713	1 DMX 1 / Serial Driver
Unmatched	Unmatched	0000525300600746	1	1	Robe Lighting s.r.o.	Robin 800 LEDWash	EVENTLIGHT	1 DMX 38 / DMX Preset 1 - footprint 38
Unmatched	Unmatched	0000525300600790	1	1	Robe Lighting s.r.o.	Robin 800 LEDWash	EVENTLIGHT	1 DMX 38 / DMX Preset 1 - footprint 38
Unmatched	Unmatched	00005253006014E2	1	1	Robe Lighting s.r.o.	Robin 800 LEDWash	EVENTLIGHT	1 DMX 38 / DMX Preset 1 - footprint 38
Unmatched	Unmatched	0000525300601507	1	1	Robe Lighting s.r.o.	Robin 800 LEDWash	EVENTLIGHT	1 DMX 38 / DMX Preset 1 - footprint 38

# 7 Art-Net commands

---

List of Art-Net commands supported in PX724

Name	Value
OpPoll	0x2000
OpPollReply	0x2100
OpOutput / OpDmx	0x5000
OpSync	0x5200
OpAddress	0x6000
OpInput	0x7000
OpTodRequest	0x8000
OpTodData	0x8100
OpTodControl	0x8200
OpRdm	0x8300
OpFirmwareMaster	0xf200
OpFirmwareReply	0xf300

"Art-Net™ Designed by and Copyright Artistic Licence Holdings Ltd"

## 8 Upgrade

---

In order to update the gate firmware, use the program DMX-Workshop, which is available on the Artistic Licence website:

<http://www.artisticlicence.com>

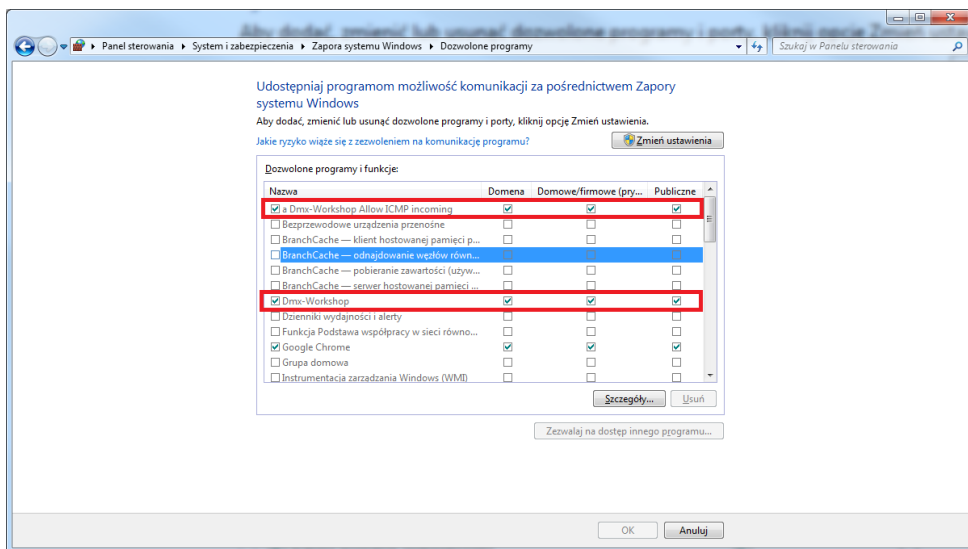
Firmware updates are available on the manufacturer's website.



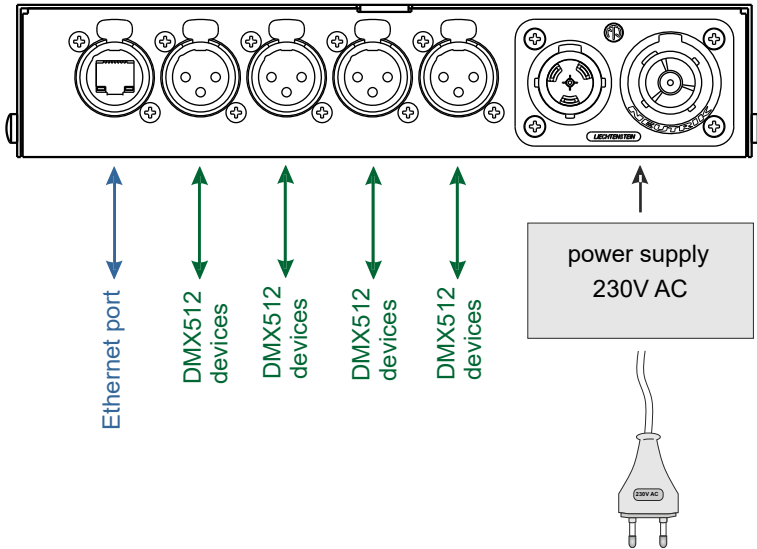
1. In the main menu field select the option **Node List**.
2. In the field **Active Art-Net Nodes** select the device to which you want to upload the update.
3. Right-click the device chosen, selecting in this sequence: **Advanced** → **Programme Upload** → **Firmware**.
4. Using the “magnifying glass” button located to the right of the update access path, download the file with \*.*alf* extension.
5. In the **Compatible Devices** field select again the device to update
6. In order to upload the update, press the button **Upload new Firmware**.

**NOTE!** Firmware update is only available via the Art-Net protocol. To do this, change the Protocol setting to Art-Net.

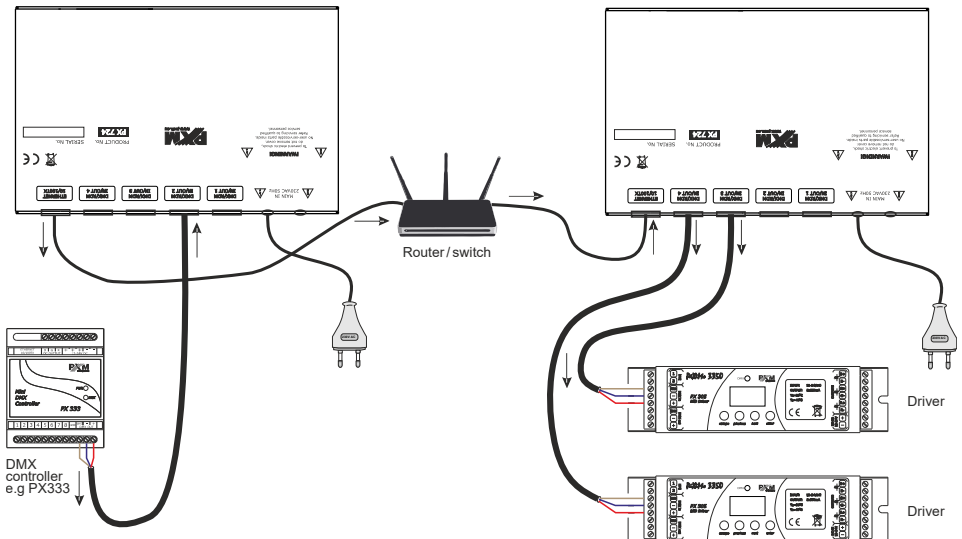
**NOTE!** When installing new software, problems may arise due to the Windows® firewall settings. One of the solutions is to completely disable the system firewall for the time of uploading the new firmware version. The second is to add the DMX-Workshop program to the exceptions in the firewall giving all permissions without having to completely disable the firewall (screen on next page).



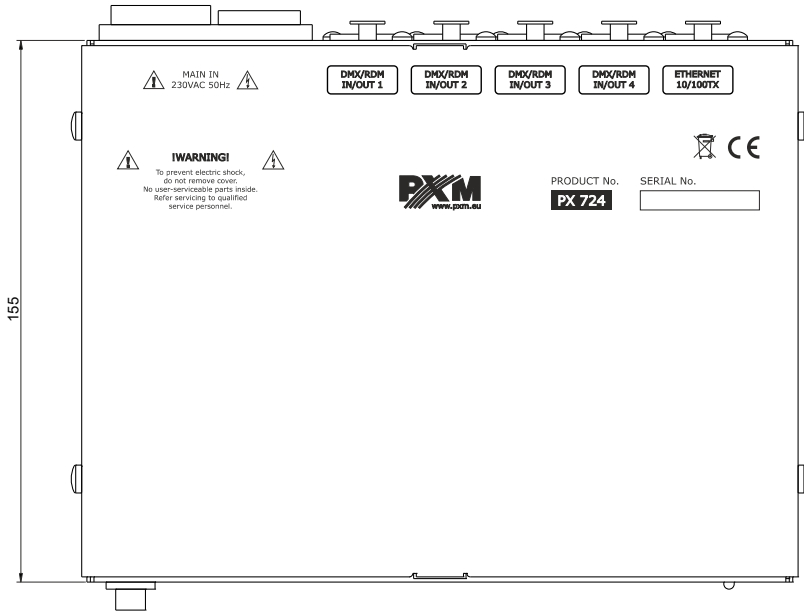
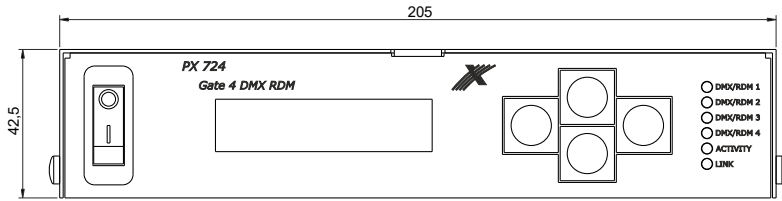
# 9 Connection scheme



Example of connecting a device operating in DMX512 mode → Art-Net / sACN (on the left) and Art-Net / sACN → DMX512 (on the right):



# 10 Dimensions



# 11 Technical data

---

type	PX724
DMX/RDM lines	4
DMX/RDM input	socket 3-pin or 5-pin Neutrik XLR
RDM protocol support	yes
bi-directional signal conversion	yes
optically isolated XLR connectors	yes
galvanic isolated XLR connectors	yes
Ethernet connector type	Neutrik etherCON
DHCP protocol support	yes
Art-Net version	Art-Net 1, 2, 3, 4
communication method	Art-Net / sACN, display and buttons
firmware update	through Art-Net 4 protocol
default user presets	2 (2.x.x.x and 10.x.x.x)
indications mode	Normal, Mute, Identify
“No signal Art-Net” mode	yes (holding last value)
synchronous mode support	yes
dark mode (screensaver)	yes
user interface	2 x 16 LCD display, 4 x buttons, 6 diodes
power supply	230V AC PowerCON TRUE1 Neutrik
power consumption	8W
weight	1.2kg
dimensions	width: 205mm height: 42,5mm depth: 155mm



---

## DECLARATION OF CONFORMITY

PXM Marek Żupnik spółka komandytowa  
Podłęże 654, 32-003 Podłęże

we declare that our product:

*Product name:* Gate 4 DMX RDM

*Product code:* PX724

meets the requirements of the following standards, as well as harmonised standards:

PN-EN IEC 63000:2019-01	EN IEC 63000:2018
PN-EN IEC 62368-1:2020-11	EN IEC 62368-1:2020
PN-EN 61000-4-2:2011	EN 61000-4-2:2009
PN-EN IEC 61000-6-1:2019-03	EN IEC 61000-6-1:2019
PN-EN IEC 61000-6-3:2021-08	EN IEC 61000-6-3:2021

and meets the essential requirements of the following directives:

2011/65/UE **DIRECTIVE OF THE EUROPEAN PARLIAMENT AND OF THE COUNCIL** of 8 June 2011 on the restriction of the use of certain hazardous substances in electrical and electronic equipment  
Text with EEA relevance.

2014/30/UE **DIRECTIVE OF THE EUROPEAN PARLIAMENT AND OF THE COUNCIL** of 26 February 2014 on the harmonisation of the laws of the Member States relating to electromagnetic compatibility (recast)  
Text with EEA relevance.

2014/35/UE **DIRECTIVE OF THE EUROPEAN PARLIAMENT AND OF THE COUNCIL** of 26 February 2014 on the harmonisation of the laws of the Member States relating to the making available on the market of electrical equipment designed for use within certain voltage limits

  
**Marek Żupnik spółka komandytowa**  
32-003 Podłęże, Podłęże 654  
NIP 677-002-54-53



mgr inż. Marek Żupnik.