



DATA SHEET

PX348

PxArt Audio

Device description

PxArt Audio is a component of sound system designed for mounting on GLOBAL Trac® Pulse Control.

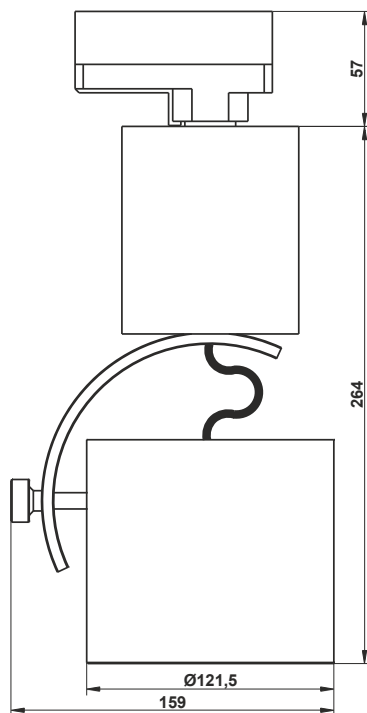
The device consists of a speaker, amplifier and *.wav file player, whole is connected to the control bus GT Pulse Control using included adapter.

From firmware version 1.28 on the SD/SDHC memory card you can put 85 or 255 songs in the root directory of the card in *.wav format of any length, the only limitation is the memory card capacity. In addition, from firmware version 1.28, it is possible to create up to 9 playlists with 85 or 255 songs each, which allows to play up to 765 or 2295 songs.

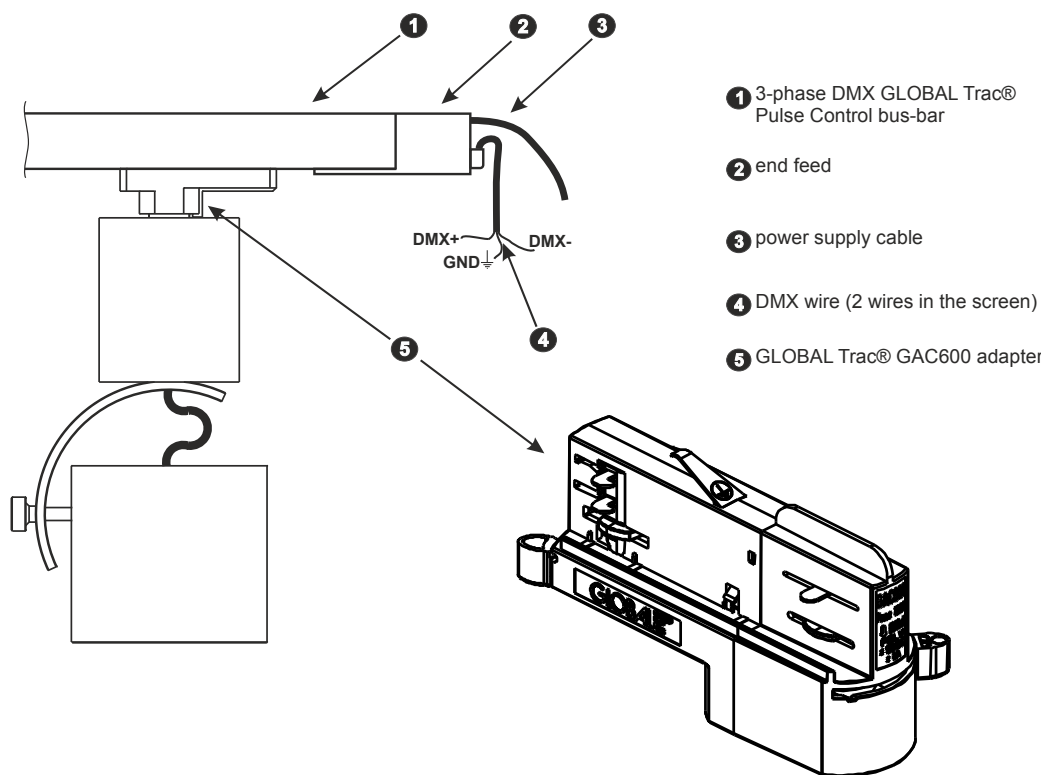
The PX348 allows to play audio tracks anywhere in the room equipped with a bus-bar system without the need for additional installation. The player can work with DMX devices in a mode that takes up 4, 5, 7 or 8 DMX channels.

Functions implemented by PX348 using DMX control allow for playback, selection of a particular song, choosing a playlist, looping one and multiple track or random playback of songs, smooth volume control, bass and treble.

Using the PxArt Settings Controller (PX277) it is possible to adjust the low and high tones and set the DMX address. PX277 also allows to define the behavior of the player in the absence of a DMX signal.



Connection diagram



Technical data

type	PX348
power supply	230V AC
DMX channels	4, 5, 7 or 8
amplifier power output	10W
audio digital format	*.wav
audio media cards type	SD / SDHC
max. supported number of tracks	up to 2295* (in 9 playlists)
device programming	yes (using PX277)
DMX-512 control LED	yes
mounting	GLOBAL Trac® Pulse Control bus-bar
available housing colors	silver, black or white
weight	3.6kg
dimensions	diameter: 121,5mm height: 264mm

* - from the firmware version 1.28