



Driver LED C.V. 3 x 6A Driver LED C.V. 3 x 6A/cc

Device description

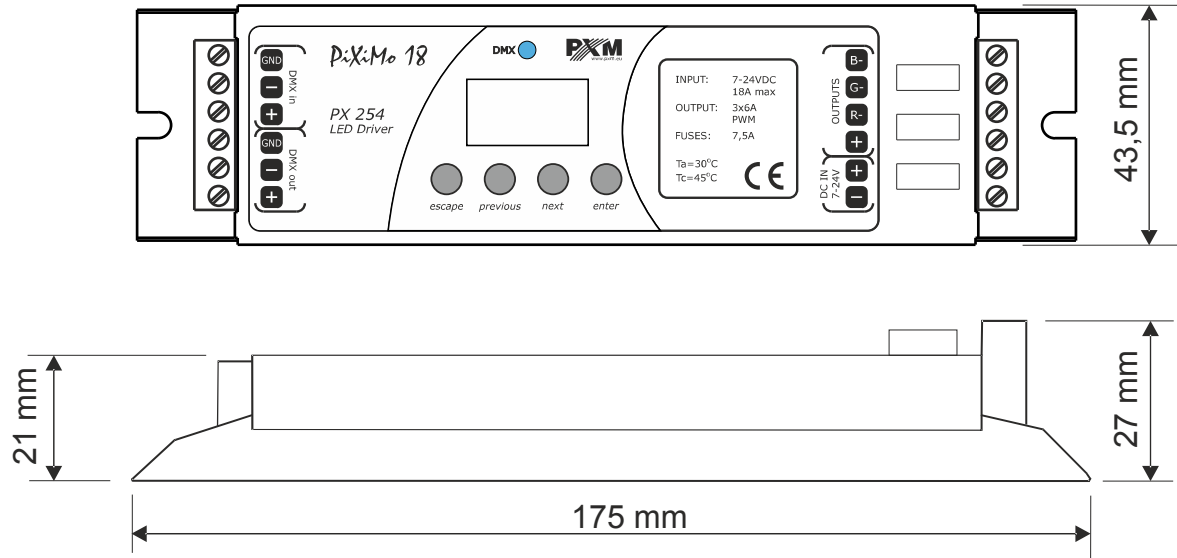
PX254 driver is designed to control the LEDs. Built-in DMX receiver allows to control 3 DMX channels (R, G, B) directly with the DMX protocol. Wide range of power supply voltage and high current carrying capacity outputs (6A) permit a control of large quantities of LEDs. What is more the PX254 has built-in fuses that can be replaced by the user by himself.

PX254 can be either controlled by DMX, and act independently. In this case, the user is offered a fully programmable scene and 18 pre-programmed sequences, which can also freely change the playback speed and fluidity changes in steps. Thanks to the interpolated resolution of the output control at the 14 bit level at a PWM frequency of 1.5kHz, the control of the parameters of individual channels is completely smooth. Driver PX254 can operate in different control modes: **2b** – brightness and one of the 256 colors define by the manufacturer, **3b** – each color RGB can be set separately, **3bd** – each color RGB can be set separately and dimmer (dimming all outputs), **HSL** – responsible for hue, saturation and lightness, **dW** – dynamic white (tunable white), control channels cold and warm white, **EFF** – it is available on 7 DMX channels and control R, G, B, Mode, Speed, Fade and Brightness.

The driver has a built-in tuning frequency signal system ("*flicker free*" technology), which makes it particularly useful in applications for the television industry. The RGB LEDs often differ quite substantially in parameters, this can cause problems in obtaining a white color (at full power especially). Therefore PX254 comes with a very useful function called "white balance". Thanks to it you can choose color correction for each set of LEDs controlled by the device to achieve at full power the color white.

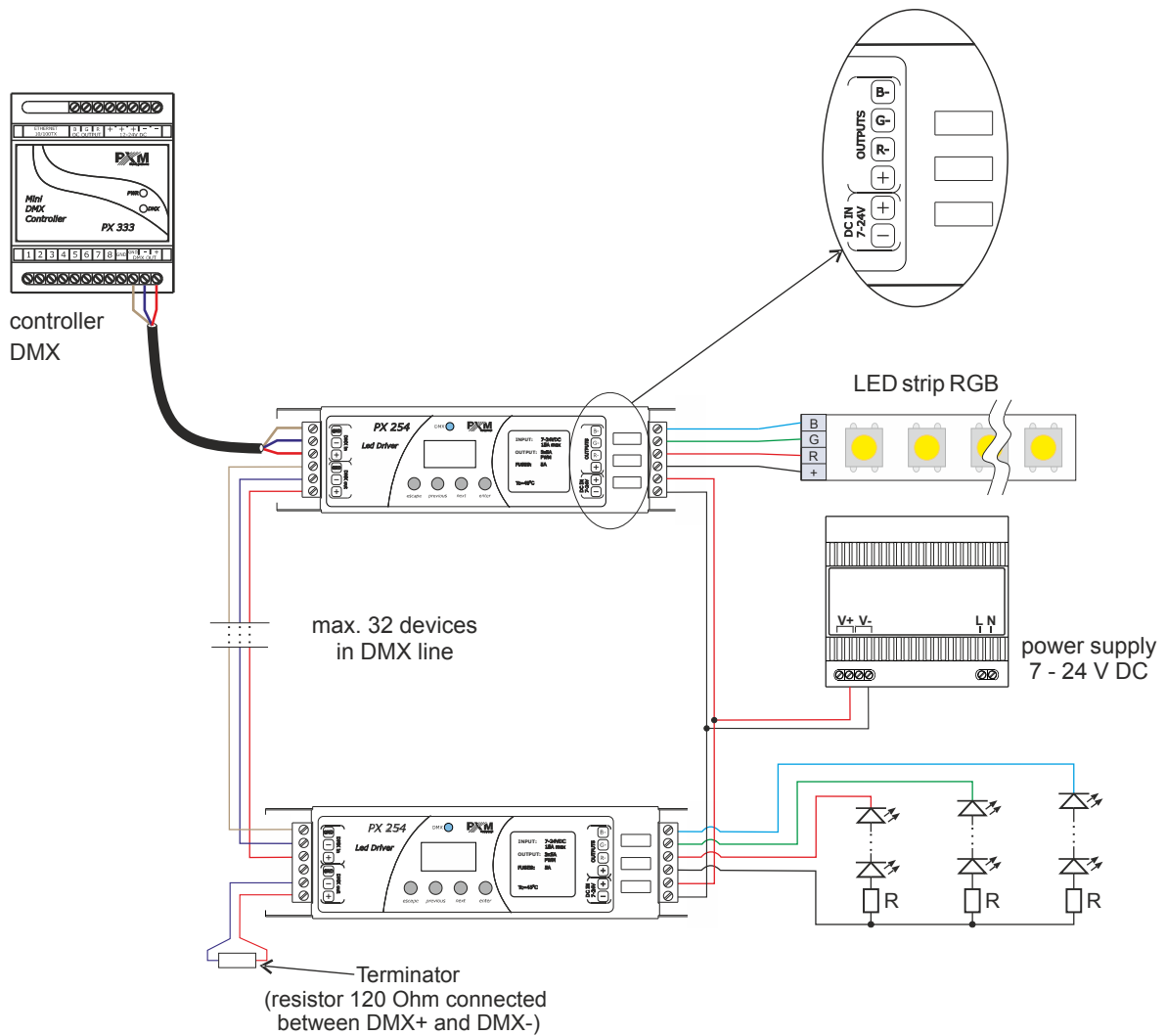
The PX254 is produced in common anode version – it allows LEDs connection on common anode.

Driver comes in two versions: standard – version controlling LED lamps with a common anode, CC – version controlling LED lamps with a common cathode.



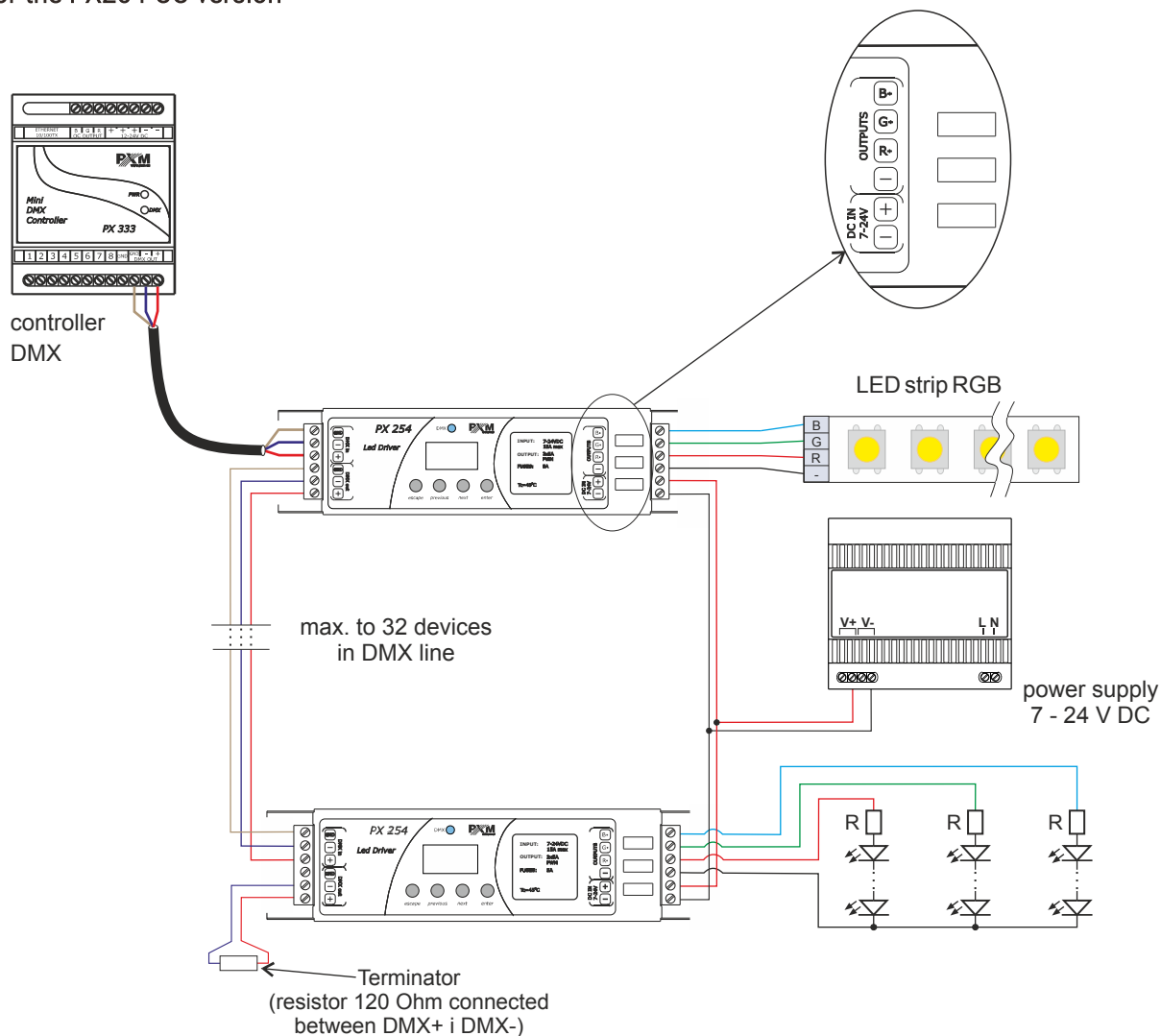
Connection diagram

a) for the PX254 version



Note! The driver PX254 is common anode type device. It is possible to connect lamps with 4-wires cable with a common "+" only.

b) for the PX254-CC version



Note! The driver PX254-CC is common cathode type device. It is possible to connect lamps with 4-wires cable with a common "-" only.

Technical data

	type	PX254 PX254-L0 PX254-CC
	DMX channels	512
	RDM protocol support	yes
	power supply	7 – 24V DC
	max. current consumption	18A
	power consumption without load	30mA for 12V DC 40mA for 24V DC
	output channel number	3
	PWM frequency	1.5 – 25kHz
	interpolated resolution of output control	14 bit (at PWM 1.5kHz)
	programmable scenes	1
	built-in programs	18
	outputs current capacity	6A / channel
	output socket	screw connectors
	Master mode	yes
	weight	0.2kg
	dimensions	width: 175mm height: 43,5mm depth: 26mm