



DATA SHEET
PX097-IP
Px097-IP-K
DMX Repeater – IP

Device description

DMX Repeater is a universal repeater and splitter of the DMX signal.

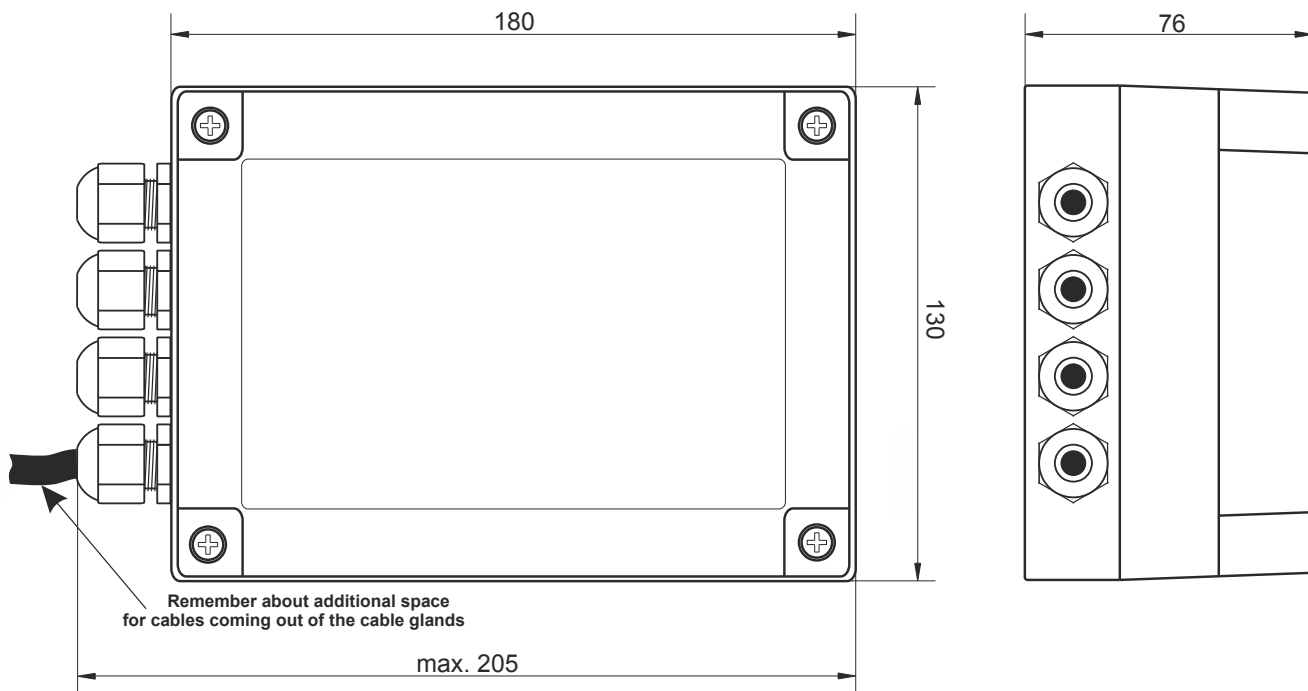
The device allows to create ramifications in the complex stage DMX installations and to amplify the DMX signal, that means, enables to connect next 32 receivers and to lengthen the DMX line. According to the DMX standard, the receivers in a DMX route must be connected in series. In the PX097-IP-K version, all DMX lines have additional overvoltage protection.

In addition, in the last device a terminator must be installed. It is impermissible to split the DMX line by simply "splitting the wire". Because the connection of receivers into one chain can be very troublesome in the case of complex installations, the possibility of creating DMX branching and amplifying the control signal is provided, which is what DMX Repeater – IP provides.

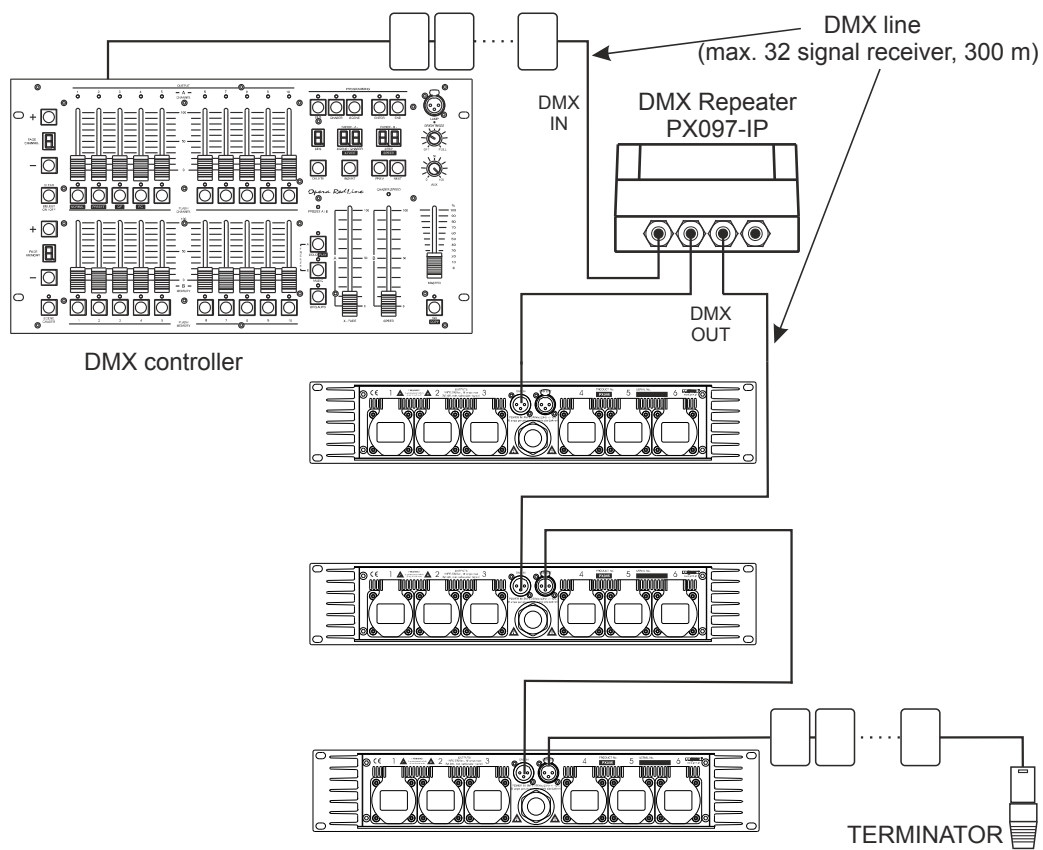
With the PX097-IP repeater you can split the incoming DMX signal into two independent branches and amplify the DMX signal. The device has an optical isolation between input and two outputs. Obviously, connecting the receivers to particular output routes must be performed according to the rule of line in series, with the terminator installed in the last device.

The device casing is made of plastic and provides protection against adverse external factors.

Technical drawing



Connection diagram



Technical data

type	PX097-IP / PX097-IP-K
IP class	65
DMX I / O lines	1 / 2
DMX line connectors	screw connectors (terminal block)
isolation I / O breakdown voltage	> 5000V
power supply	230V AC, 50Hz
power consumption	max. 6,5W
housing material	polycarbonate (PC)
weight	0.6kg
dimensions	width: 130mm height: 180mm depth: 76mm