

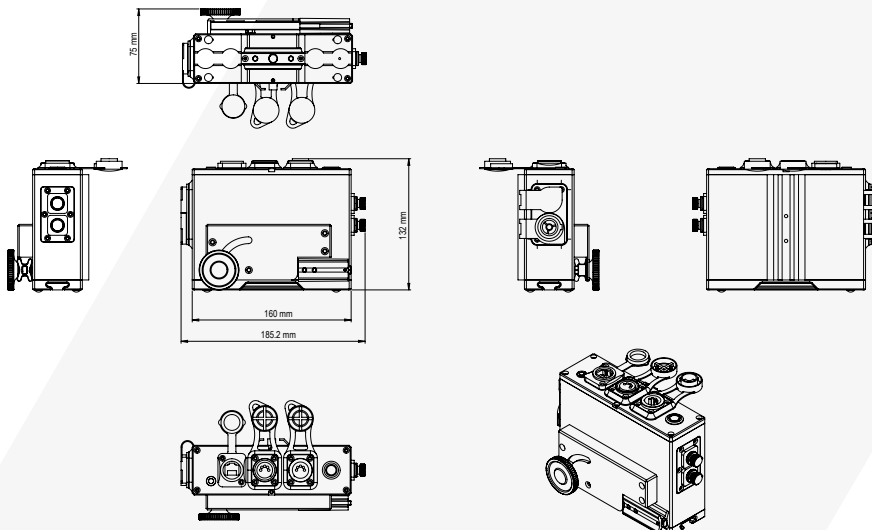


Charge or install 8 PixelBricks or HydraPanels. Also allows wired data transfer from DMX, Artnet and sACN sources. Comes with PowerCon AC cable and 8 short DC charging cables. Longer Power/Data Combination cables sold separately.

## SPECIFICATIONS

	<b>PowerBox 2x86W</b>
Order Code	PWB-2-86
AC Input	100-240 VAC, 50/60 Hertz, 1.8 A/115 VAC, 1 A/230 VAC
AC Connector	PowerCON TRUE1 IN/OUT
DC Output	2 x 24 V / 2 x 86 W
DC Connector	2 x DC Barrel (5.5 mm / 2.1 mm)
Data Input	XLR-DMX, ART-Net (1 Universe), sACN (1 Universe)
Data Output	DMX via 2 x DC sockets - DMX via 5-pin XLR
Data sockets	5-pin XLR IN/OUT, RJ45 input
Housing Material	Aluminium
IP Rating unwired	IP65 (only with PB15-PLG)
IP Rating wired with PWB-CAB-0.2/-1.5/-5/-10/-15	IP65
Weight	1.5 kg / 3.3 lbs
Dimensions (L x W x D)	185 mm x 132 mm x 75 mm / 6.3" x 4.8" x 2"
Mounting Options	Fold-out BrickConnect / 2 x M5 thread / 3/8" - 16 UNC thread / AirlineTrack

## DRAWINGS

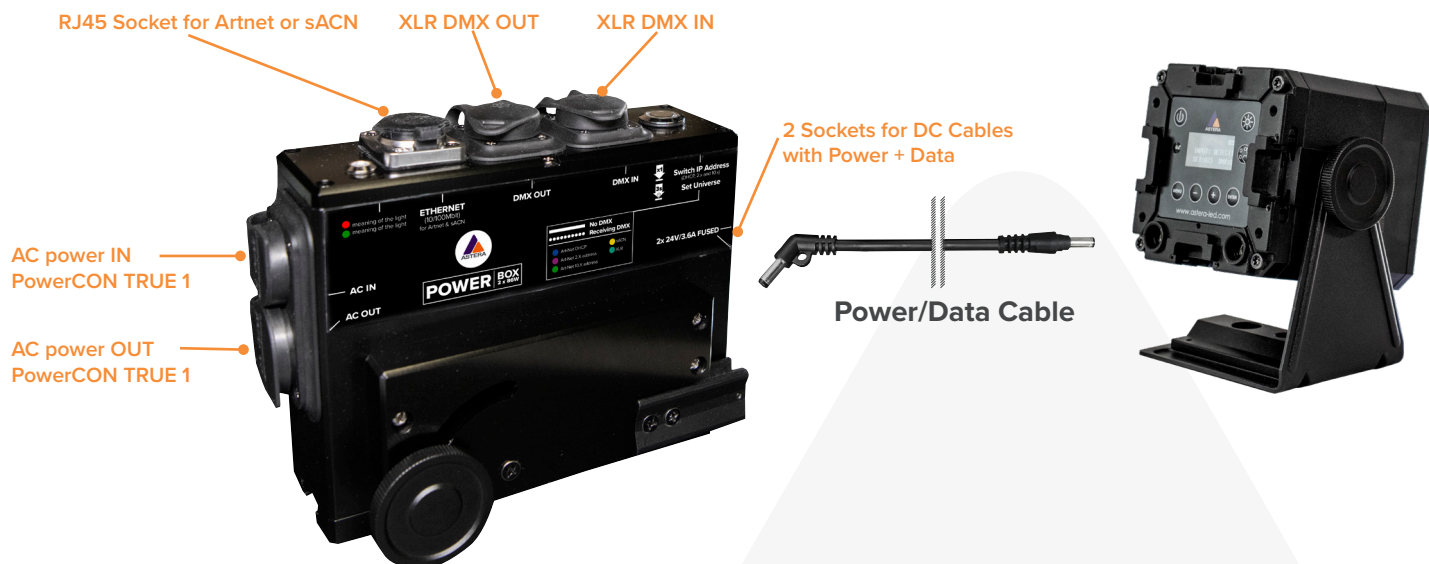


## USE CASE

**PowerBox in PixelBrick set**



# CHARGING & CONNECTING



## ACCESSORIES

**Power/Data Cable**  
5m, 10m, 15m  
PWB-CAB-5/-10/-15



IP65 when connected with  
PWB-2-86

**Power/Data Cable**  
0,2m  
PWB-CAB-0.2



IP65 when connected with  
PWB-2-86