

Superlux®

PS518

Gooseneck Mic Base

Multi-function switch



Description

The PS518 features a soft touch button with four modes of operation. The soft touch button provides silent switching between the push to talk ", push to mute "or power up ON or power up OFF " operational modes .These operational modes can be selected by setting the DIP switches on the bottom of the PS518 bases .The LED illuminates when the microphone is active .

The PS518 is supplied with a rugged 32.8 foot (10meters)cable terminated with a professional three pin male XLR type connector for balanced audio. The cable can be led out through the back panel or base plate for versatile application. The base is constructed of die cast zinc .

Featurese

- High mass, heavy-duty portable desk stand
- Large, Soft-Touch programmable membrane switch
- LED Status indicator
- Selectable Push-To-Talk or Push-To-Mute
- Selectable Power Up ON or Power Up OFF
- Direct input connection via a top panel-mounted 3-pin female XLR type connector
- Includes 32.8 foot (10 meters) cable terminating in a 3-pin male XLR type connector
- Included cable can be changed to exit through bottom ro back
- Fits any condenser gooseneck mic or other balanced mics and attachments with XLR type connectors

The list of Superlux gooseneck microphones can work with PS518 :

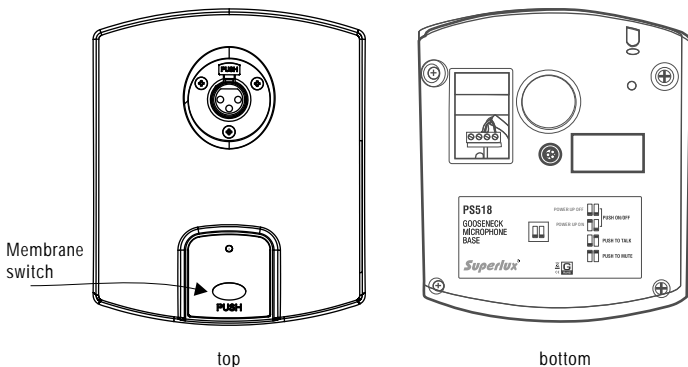
- PRA518 Series
- PRA528 Series
- E321 Series
- E322 Series
- E326 PRO

User Techniques and Applications

The model PS518 can be used in a wide variety of applications including schools, courtrooms, conference rooms ,restaurants, lecterns ,paging and more...

Architects 'and Engineers 'Specifications

The PS518 is a low profile microphone base designed to accept phantom-powered condenser gooseneck microphones attached by means of a professional 3 pin female XLR type connector on top of the base. The base provide a soft touch button that can be configured for "push-to-talk", "push-to-mute" or toggle on and off operation.

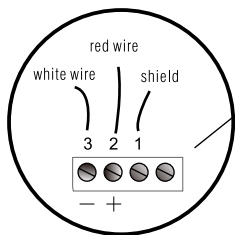


1. Push-to-talk: The microphone is normally muted. Pushing and holding the soft touch button will turn the microphone on. As soon as the operator stops holding the soft touch button, the microphone will return to mute.
2. Push-to-mute: The microphone is normally on. Pushing and holding the soft touch button will mute the microphone. As soon as the operator stops holding the soft touch button, the microphone will again turn on.
3. Toggle / Power Up ON: As soon as phantom power is applied to the PS518 base, the microphone is on. Momentarily pressing the soft touch button will mute the microphone. Momentarily pressing the soft touch button again will turn the microphone on. This operation will repeat indefinitely.

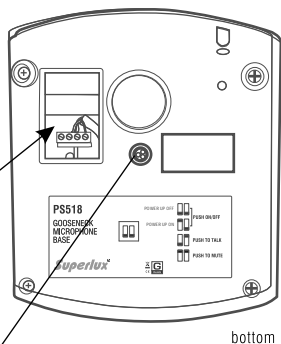
4. Toggle / Power Up OFF (Muted): As soon as phantom power is applied to the PS518 base , the microphone is muted . Momentarily pressing the soft touch button will turn the microphone on . Momentarily pressing the soft touch button again will mute the microphone. This operation will repeat indefinitely.

The base is supplied with a rugged three conductor, 32.8 foot (10 meters) cable terminated with a professional 3 pin male XLR type connector for balanced audio . This cable is led out from the bottom originally but can be changed to lead out from the back if preferred . Open the plastic panel on the bottom ; the 4pin connector will be visible . Unscrew the screw to release the cable and remove the cable. Open the plastic panel on the back and insert the cable into the hole in the middle and fix the 3 conductors of the microphone cable to the 4-pin connector as shown below . The pin assignment is as follows:

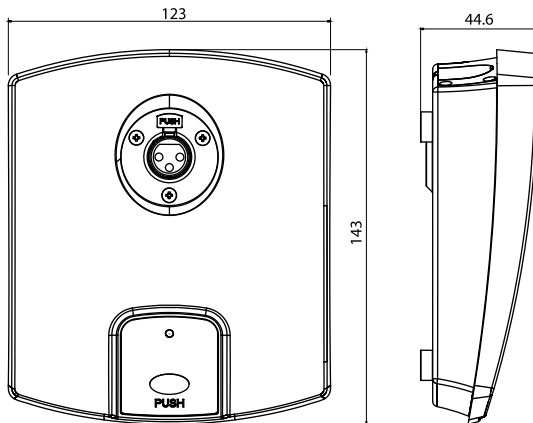
- 1.) XLR pin 1 shield cable to position marked no. 1 on pcb
- 2.) XLR pin 2 red cable to position no. 2 (positive)
on pcb
- 3.) XLR pin 3 white cable to position no. 3 (negative)
on pcb
- 4.) The no. 4 is disconnected.



microphone cable exit
could be changed from
bottom to back



The base in construction of die cast zinc. The dimensions of the base are 123mm(4.84") wide x 143mm (5.63") long x 44.6mm (1.76") high. The weight of the base with cable is 1.1 kg (2.42 lbs.) The base is finished with a high-quality matte-black paint.



Operation and Maintenance

To clean the base, use a cloth dampened with isopropyl alcohol. The unit should require no other maintenance.

Specifications:

Power Consumption:	< 2.5mA
Minimum load impedance:	1000 ohm
Frequency Response:	20-20,000Hz
Power Requirement:	48V phantom power
Connector:	3-pin male XLR
Switches:	Two dip switches on the bottom of base configure push button for push-to-talk ,push to mute ,Power up ON ,or Power up Off
Finish:	Extremely durable, matte-black, urethane paint
Dimensions:	123mm(4.84") wide x 143mm (5.63") long x 44.6mm (1.76") high
NET Weight with cable :	1.1 kg (2 42 lbs.)

LIMITED WARRANTY

Superlux Enterprise warrants all materials and workmanship under use as instructed by the user's manual of this product for a period of one year from the original date of purchase. Warranty period may be different in each area. Please contact your local dealer for more information. If any defects are found in the materials or workmanship or if the product fails to function properly during the applicable warranty period, Superlux Enterprise, at its option, will repair or replace the product.

This warranty applies only to equipment sold and delivered by Superlux Enterprise's authorized distributors or dealers.

However, the following are not covered:

Damage caused by accident, misuse, abuse, product modification or neglect ;damage occurring during shipment ;damage resulting from failure to follow instructions contained in your Instruction manual ;damage resulting from the performance of repairs by someone not authorized by Superlux ; claims based upon any misrepresentations by the seller ;any Superlux product on which the serial number has been defaced, modified or removed.

Service and repairs of Superlux products are to be performed only at a factory-authorized facility or authorized distributors or dealers. Unauthorized service, repairs, or modification will void this warranty. To obtain repairs under warranty, you must have a copy of your sales receipt from the authorized Superlux dealer where you purchased the product. It is necessary to establish purchase date and determine whether your Superlux product is within the warranty period.

To obtain factory authorized service, please contact authorized distributors, dealers or mail to sales@superlux.com.tw.

Superlux[®]

marketing and sales

Superlux, Taiwan

+886-2-26931323

sales@superlux.com.tw

manufacturing & logistics.

Superlux Enterprise

Development(Shanghai)Co., Ltd.

superlux.tw