

# OVATION

R Ê V E E - 3

## Quick Reference Guide

English	EN
Español	ES
Français	FR
Deutsch	DE
Nederlands	NL



Model ID: OVATIONREVEE3

**CHAUVET**  
PROFESSIONAL

## About This Guide

The Ovation Rêve E-3 Quick Reference Guide (QRG) has basic product information such as connection, mounting, menu options, and DMX values. Download the User Manual from [www.chauvetprofessional.com](http://www.chauvetprofessional.com) for more details.

### Disclaimer

The information and specifications contained in this QRG are subject to change without notice.

### LIMITED WARRANTY

**FOR WARRANTY REGISTRATION AND COMPLETE TERMS AND CONDITIONS PLEASE VISIT OUR WEBSITE.**

**For Customers in the United States and Mexico:** [www.chauvetlighting.com/warranty-registration](http://www.chauvetlighting.com/warranty-registration).

**For Customers in the United Kingdom, Republic of Ireland, Belgium, the Netherlands, Luxembourg, France, and Germany:** [www.chauvetlighting.eu/warranty-registration/](http://www.chauvetlighting.eu/warranty-registration/).

Chauvet warrants that this product shall be free from defects in material and workmanship under normal use, for the period specified in and subject to the exclusions and limitations set forth in, the full limited warranty on our website. This warranty extends only to the original purchaser of the product and is not transferable. To exercise rights under this warranty, the customer must provide proof of purchase in the form of an original sales receipt from an authorized dealer that shows the product name and date of purchase. THERE ARE NO OTHER EXPRESS OR IMPLIED WARRANTIES. This warranty gives the customer specific legal rights. The customer may also have other rights that vary from state to state and country to country. This warranty is valid only in the United States, United Kingdom, Republic of Ireland, Belgium, the Netherlands, Luxembourg, France, Germany and Mexico. For warranty terms in other countries, please consult a local distributor.

### Safety Notes

- The luminaire should be positioned so that prolonged staring into the luminaire at a distance closer than 10 ft (3 m) is not expected.
- If the external flexible cable or cord of this luminaire is damaged, it shall be replaced by a special cord or cord exclusively available from the manufacturer or his service agent.
- The light source contained in this luminaire shall only be replaced by the manufacturer or his service agent or a similar qualified person.
- The luminaire is intended for professional use only.
- DO NOT open this product. It contains no user-serviceable parts.
- DO NOT look at the light source when the product is on.
- DO NOT operate this product outdoors or in any location where dust, excessive heat, water, or humidity may affect it (IP20).
- DO NOT leave any flammable material within 50 cm of this product while operating or connected to power.
- DO NOT operate this product if the housing, lenses, or cables appear damaged.
- DO NOT connect this product to a dimmer or rheostat.
- CAUTION: This product's housing may be hot when lights are operating.
- CAUTION: When transferring product from extreme temperature environments, (e.g., cold truck to warm humid ballroom) condensation may form on the internal electronics of the product. To avoid causing a failure, allow product to fully acclimate to the surrounding environment before connecting it to power.
- USE a safety cable when mounting this product overhead.
- ONLY connect this product to a grounded and protected circuit.
- ONLY use the hanging/mounting bracket to carry this product.
- Mount this product in a location with adequate ventilation, at least 20 in (50 cm) from adjacent surfaces.
- To eliminate unnecessary wear and improve its lifespan, during periods of non-use completely disconnect the product from power via breaker or by unplugging it.
- In the event of a serious operating problem, stop using immediately.
- The maximum ambient temperature is 113 °F (45 °C). Do not operate this product at higher temperatures.

### FCC Compliance

This device complies with Part 15 Part B of the FCC Rules. Operation is subject to the following two conditions:

1. This device may not cause harmful interference, and
2. This device must accept any interference received, including interference that may cause undesired operation.

Any changes or modifications not expressly approved by the party responsible for compliance could void the user's authority to operate the equipment.

### Contact

Outside the U.S., U.K., Ireland, Benelux, France, Germany, or Mexico, contact a distributor to request support or return a product. Refer to [Contact Us](#) at the end of this QRG for contact information.

### What is Included

- Ovation Rêve E-3
- Soft-focus filter
- Quick Reference Guide
- Seetronic Powerkon
- Ovation metal gobo holder

## AC Power

This product has an auto-ranging power supply that can work with an input voltage range of 100–240 VAC, 50/60 Hz.

### Power Linking

It is possible to link up to 3 Ovation Rêve E-3 products at 100 V, 4 products at 120 V, 7 products at 208 V, 8 products at 230 V, or 8 products at 240 V. Never exceed this number. Power-linking cords can be purchased separately.

### AC Plug

Connection	Wire (U.S.)	Wire (Europe)	Screw Color
AC Live	Black	Brown	Yellow/Brass
AC Neutral	White	Blue	Silver
AC Ground	Green/Yellow	Green/Yellow	Green



To eliminate unnecessary wear and improve its lifespan, during periods of non-use completely disconnect the product from power via breaker or by unplugging it.

### Replacing the Fuse

1. Disconnect this product from power.
2. Using a Phillips-head screwdriver, unscrew the fuse holder cap from the housing.
3. Remove blown fuse and replace with a good fuse of the same type and rating.
4. Screw the fuse holder cap back in place and reconnect power.

### DMX Linking

The Ovation Rêve E-3 will work with a DMX controller using a 3- and 5-pin DMX serial connection. A DMX Primer is available from [www.chauvetprofessional.com](http://www.chauvetprofessional.com).

### DMX Connection

The Ovation Rêve E-3 uses a 3- and 5-pin DMX data connection for its DMX personalities: **1Ch, 5Ch, 6Ch, 8Ch, 12Ch, 14Ch1, 14Ch2, 18Ch**, and **HSV**. See the User Manual for information about connecting and configuring the product for DMX operation.

### Master/Slave Connection

The Ovation Rêve E-3 uses the DMX data connection for its master/slave mode. See the User Manual for information about how to connect and configure the product for master/slave operation.

### RDM (Remote Device Management)

Remote Device Management, or RDM, is a standard for allowing DMX-enabled devices to communicate bi-directionally along existing DMX cabling. Check with the manufacturer or the DMX controller's User Manual, as not all DMX controllers have this capability. The Ovation Rêve E-3 supports RDM protocol that allows feedback to make changes to menu map options. Download the User Manual from [www.chauvetprofessional.com](http://www.chauvetprofessional.com) for more details.

## USB Software Update

The Ovation Rêve E-3 allows for software update through USB using the built-in USB port. To update the software using USB flash drive, do the following:

1. Power on the fixture and plug the flash drive into the USB port.
2. Once the flash drive has been detected, the message "Upgrade Firmware" will be displayed. Press <ENTER>.
  - If a different message appears on the display, search for the updated software in the Main Menu (**Update Firmware**) and select from **Only This Unit**, **Multiple Units**, or **Other Fixture Type**. A list of the software update files will be displayed.
3. Select the file that needs to be uploaded. The message "Are you sure?" will be displayed. Press <ENTER>.
4. If the selected file is correct, the upgrade will be completed. Restart the fixture.
  - If the selected file is incorrect, the upgrade will fail, and the display will go back to the main interface. Repeat steps 1-3 using the correct file.



The .chl format file needs to be placed in the OVATION folder in the USB flash drive.



The "Other Fixture Type" option can only be selected for connected products compatible with the Upload 03 (the first 2 digits of the item code must be 03).

## Lens Tubes

The following lens tubes are available for purchase:

- 19°, 26°, 36°, and 50° with gel frame (6.25 in/159 mm accessories)
- 5° zoom gel frame (14 in/356 mm)
- 10° zoom gel frame (12 in/304 mm)
- 14°, 15–30° and 25°–50° zoom gel frame (7.5 in/191 mm accessories)

## Soft Focus Filter

The Ovation Rêve E-3 comes with a soft focus filter. To keep the soft focus filter in good condition:

- Ensure that no fingerprints are left on the filter, as this may cause the filter to heat unevenly and eventually warp.
- When placing the filter in the holder, follow the orientation direction printed on the filter.
- When inserting shutter blades into the light path, note that the heat is reflected back at the filter. The deeper the blades are inserted, and the longer the fixture runs, the more heat gets reflected on to the filter, causing it to warp and potentially adhere to the shutter blades.

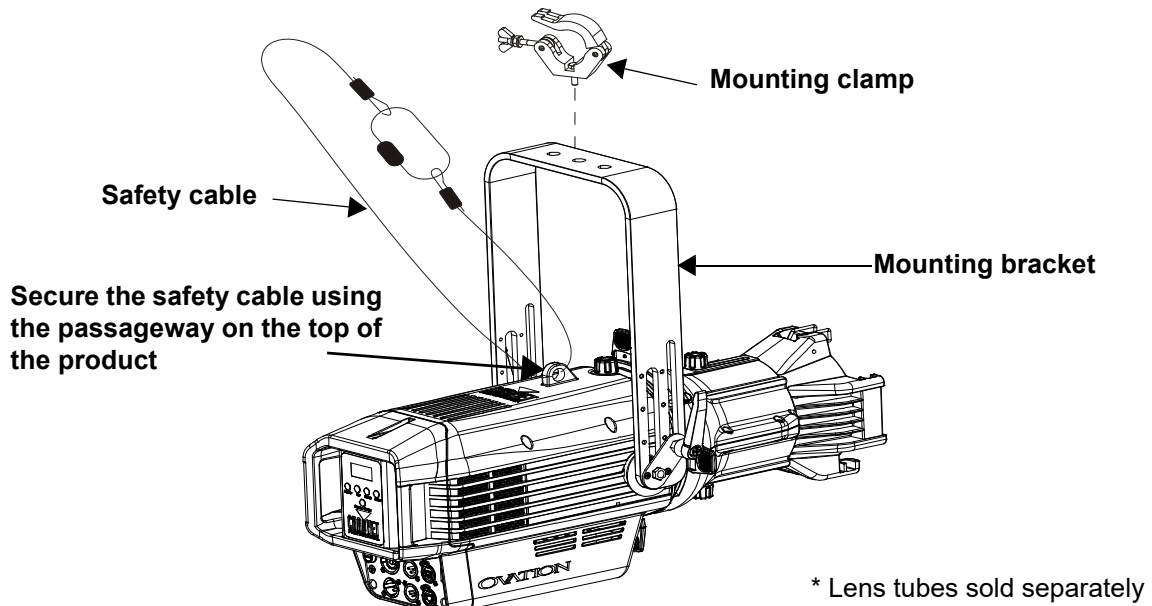


If there is a protective film on the soft-focus filter, it must be removed before use. The filter is in a holder in the metal gobo slot.

**Mounting**

Before mounting this product, read the [Safety Notes](#). Use at least one mounting point per product. Make sure the mounting clamps can support the weight of the product. For the Chauvet line of mounting clamps, go to: <http://trusst.com/productcategory/truss-clamps/>.

**Product Mounting Diagram**

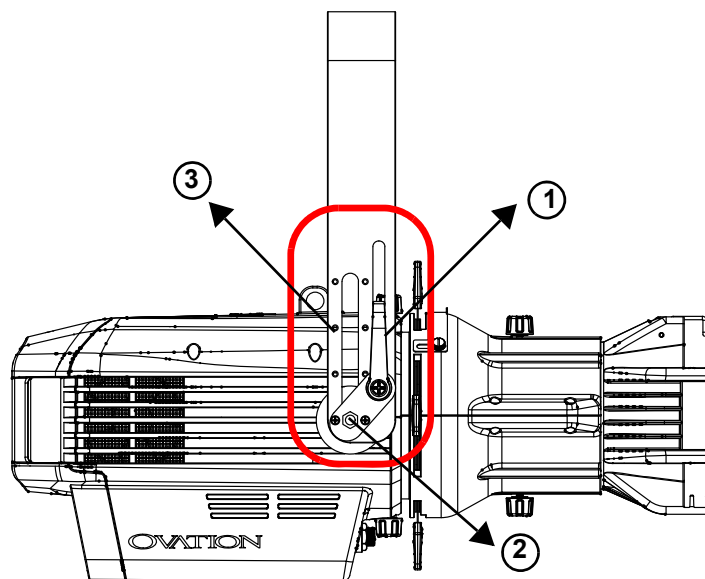


**Overhead Mounting**

**Adjustable Yoke**

The Ovation Rêve E-3 comes with an adjustable yoke for mounting in low-clearance areas. To modify the height of the yoke, do the following:

1. Loosen the bracket adjustment knobs on both sides of the fixture.
2. On each side of the fixture, remove the two screws and loosen the bolt attaching the plate to the mounting bracket.
3. Using the screw holes as guide, adjust the position of the mounting bracket to achieve the desired height of the yoke.
4. Put the screws back in place, and tighten the bolts and the bracket adjustment knobs.



### Virtual Color Wheel

The Ovation Rêve E-3 includes a feature called the Virtual Color Wheel (VCW). This feature is available as a standalone control mode for manual use and as a control channel in select DMX personalities. More than 30 premixed colors, custom blended by Chauvet engineers, are available to call up for easier programming.

The DMX values used to mix these colors are provided below. The overall intensity of the Ovation fixture can be adjusted to more closely replicate familiar industry-standard colors. A chart is available on [www.chauvetprofessional.com](http://www.chauvetprofessional.com) to compare Chauvet's premixed colors with popular gel colors. This chart is for comparison purposes only and is not an assertion that Chauvet's premixed colors match any of the gel colors listed.

### Virtual Color Wheel Chart

DMX Channel Value	Display Readout	Red Value	Green Value	Blue Value	Amber Value	Mint Value
000 ⇔ 005	--	--	--	--	--	--
006 ⇔ 013	<b>C3050 - Md Yellow</b>	255	225	0	255	37
014 ⇔ 021	<b>C3040 - Lt Yellow</b>	255	177	3	255	37
022 ⇔ 028	<b>C3240 - Amb Yellow</b>	255	220	0	255	0
029 ⇔ 035	<b>C2340 - VLt Amber</b>	195	0	15	255	57
036 ⇔ 043	<b>C2040 - Lt Amber</b>	255	0	11	255	61
044 ⇔ 051	<b>C2050 - Md Amber</b>	255	53	0	255	17
052 ⇔ 059	<b>C2060 - Dk Amber</b>	255	8	0	255	17
060 ⇔ 067	<b>C1050 - Lt Red</b>	255	0	3	14	0
068 ⇔ 075	<b>C1080 - Md Red</b>	255	0	2	0	0
076 ⇔ 083	<b>C1020 - NC Pink</b>	255	75	62	255	73
084 ⇔ 091	<b>C1030 - Md Pink</b>	255	75	57	255	41
092 ⇔ 099	<b>C1630 - Dk Pink</b>	218	77	57	255	61
100 ⇔ 107	<b>C1250 - Md Red Amber</b>	255	0	9	168	0
108 ⇔ 115	<b>C1060 - Dk Red Amber</b>	255	5	9	36	0
116 ⇔ 121	<b>C1650 - Magenta</b>	255	3	62	255	12
122 ⇔ 130	<b>C6170 - Dk Magenta</b>	255	0	55	0	0
131 ⇔ 138	<b>C6020 - Lt Lavender</b>	255	220	93	255	44
139 ⇔ 146	<b>C5030 - Lt Blue</b>	0	255	159	112	78
147 ⇔ 154	<b>C5020 - VLt Blue</b>	0	215	145	196	65
155 ⇔ 162	<b>C5430 - Lt Blue2</b>	0	215	132	52	92
163 ⇔ 170	<b>C5070 - Blue</b>	0	195	188	0	19
171 ⇔ 178	<b>C5050 - Md Blue</b>	0	163	190	0	68
179 ⇔ 186	<b>C5060 - Dk Blue</b>	0	128	193	0	38
187 ⇔ 194	<b>C5690 - Indigo</b>	53	9	255	0	0
195 ⇔ 202	<b>C5080 - VDk Blue</b>	7	84	116	0	0
203 ⇔ 210	<b>C5081 - VDk Blue2</b>	11	82	139	0	0
211 ⇔ 218	<b>C4370 - Yel Green</b>	0	255	2	25	0
219 ⇔ 226	<b>C4070 - Green</b>	0	255	9	0	175
227 ⇔ 234	<b>C4550 - Turquoise</b>	0	255	87	96	255
235 ⇔ 242	<b>C4560 - Aqua</b>	0	255	98	44	255
243 ⇔ 250	<b>C4570 - Blue Green</b>	0	255	26	8	0
251 ⇔ 255	--	--	--	--	--	--



The colors above are simulated renditions of the color output produced compared with other similar incandescent products. Chauvet makes no guarantee of the color output accuracy.

Color Temperature Chart

Color Temperature	Red Value	Green Value	Blue Value	Amber Value	Mint Value
2800K	253	0	25	255	145
2900K	253	3	28	255	153
3000K	251	5	33	255	161
3100K	248	7	36	255	169
3200K	245	9	45	255	173
3300K	242	13	47	255	182
3400K	237	22	53	255	185
3500K	230	30	58	255	185
3600K	225	40	64	255	185
3700K	221	48	70	255	185
3800K	220	48	74	255	197
3900K	220	50	79	255	203
4000K	210	58	84	255	203
4100K	205	63	88	255	203
4200K	199	68	95	255	204
4300K	189	69	98	255	204
4400K	183	71	103	255	204
4500K	174	78	107	255	204
4600K	170	80	112	255	204
4700K	166	89	119	255	204
4800K	164	98	123	255	203
4900K	163	100	129	255	205
5000K	163	103	137	255	206
5100K	163	108	142	255	208
5200K	163	116	147	255	208
5300K	163	118	156	255	210
5400K	162	122	162	255	216
5500K	162	124	166	255	224
5600K	162	127	172	255	229
5700K	159	127	177	255	231
6000K	158	134	192	241	231
6500K	152	152	206	225	231
7000K	144	157	224	218	231
7500K	127	172	238	218	231
8000K	122	175	245	200	231



The color temperatures above are simulated renditions of the color output produced compared with a tungsten lamp at the specified color temperature. Chauvet makes no guarantee of the color output accuracy.

Color Temperature DMX Chart

DMX Channel	Color Temperature	DMX Channel	Color Temperature	DMX Channel	Color Temperature
000 ⇔ 005	No function	084 ⇔ 090	3900–4000K	168 ⇔ 174	5100–5200K
006 ⇔ 013	2800–2900K	091 ⇔ 097	4000–4100K	175 ⇔ 181	5200–5300K
014 ⇔ 020	2900–3000K	098 ⇔ 104	4100–4200K	182 ⇔ 188	5300–5400K
021 ⇔ 027	3000–3100K	105 ⇔ 111	4200–4300K	189 ⇔ 195	5400–5500K
028 ⇔ 034	3100–3200K	112 ⇔ 118	4300–4400K	196 ⇔ 202	5500–5600K
035 ⇔ 041	3200–3300K	119 ⇔ 125	4400–4500K	203 ⇔ 209	5600–5700K
042 ⇔ 048	3300–3400K	126 ⇔ 132	4500–4600K	210 ⇔ 216	5700–6000K
049 ⇔ 055	3400–3500K	133 ⇔ 139	4600–4700K	217 ⇔ 223	6000–6500K
056 ⇔ 062	3500–3600K	140 ⇔ 146	4700–4800K	224 ⇔ 230	6500–7000K
063 ⇔ 069	3600–3700K	147 ⇔ 153	4800–4900K	231 ⇔ 237	7000–7500K
070 ⇔ 076	3700–3800K	154 ⇔ 160	4900–5000K	238 ⇔ 244	7500–8000K
077 ⇔ 083	3800–3900K	161 ⇔ 167	5000–5100K	245 ⇔ 255	8000K

**Control Panel Description**

Button	Function
<MENU>	Exits from the current menu or function
<ENTER>	Enables the currently displayed menu or sets the currently selected value into the selected function
<UP>	Navigates upwards through the menu list or increases the numeric value when in a function
<DOWN>	Navigates downwards through the menu list or decreases the numeric value when in a function
<FOCUS>	Sets fixture into Focus Mode, which takes the unit to full power for easy focusing without changing any other fixture settings. Press again to release from Focus Mode.

**Menu Map**

Refer to the Ovation Rêve E-3 product page on [www.chauvetprofessional.com](http://www.chauvetprofessional.com) for the latest menu map.

Main Level	Programming Levels		Description	
<b>DMX Address</b>	<b>001–512*</b>		Selects DMX address (*highest channel restricted to personality chosen)	
<b>DMX Channel</b>	<b>1Ch</b>	<b>Virtual Color Wheel</b>	1-channel: dimmer	
		<b>Color Temperature</b>		
		<b>Manual Color Mixer</b>		
		<b>5Ch</b>	5-channel: dimmer, virtual color wheel (VCW), color temperature, hue, gobo rotator	
		<b>6Ch</b>	6-channel: red, green, blue, amber, mint, gobo rotator	
		<b>8Ch</b>	8-channel: dimmer, RGBAM, strobe, gobo rotator	
		<b>12Ch</b>	12-channel: 16-bit dimmer, RGBAM, strobe, VCW, color temperature, hue, gobo rotator	
		<b>14Ch1</b>	14-channel: dimmer, RGBAM, strobe, VCW, color temperature, hue, auto programs, auto speed, control, gobo rotator	
		<b>14Ch2</b>	14-channel: 16-bit dimmer, 16-bit RGBAM, strobe, gobo rotator	
		<b>18Ch</b>	18-channel: 16-bit RGBAM and dimmer, strobe, VCW, color temperature, hue, control, gobo rotator	
	<b>HSV</b>		4-channel: hue, saturation, value, gobo rotator	
<b>Virtual Color Wheel</b>	<b>Virtual Color Wheel</b>	<b>C3050 - Md Yellow</b> <b>C3040 - Lt Yellow</b> <b>C3240 - Amb Yellow</b> <b>C2340 - VLt Amber</b> <b>C2040 - Lt Amber</b> <b>C2050 - Md Amber</b> <b>C2060 - Dk Amber</b> <b>C1050 - Lt Red</b> <b>C1080 - Md Red</b> <b>C1020 - NC Pink</b> <b>C1030 - Md Pink</b> <b>C1630 - Dk Pink</b> <b>C1250 - Md Red Amber</b> <b>C1060 - Dk Red Amber</b> <b>C1650 - Magenta</b> <b>C6170 - Dk Magenta</b> <b>C6020 - Lt Lavender</b> <b>C5030 - Lt Blue</b> <b>C5020 - VLt Blue</b> <b>C5430 - Lt Blue 2</b> <b>C5070 - Blue</b> <b>C5050 - Md Blue</b> <b>C5060 - Dk Blue</b>	<b>Dimmer</b> <b>000–255</b>	Virtual Color Wheel simulates the output of each gel color. Refer to the <a href="#">Virtual Color Wheel Chart</a> for specific values.



Main Level	Programming Levels		Description	
Virtual Color Wheel	Virtual Color Wheel	C5690 - Indigo C5080 - Vdk Blue C5081 - Vdk Blue 2 C4370 - Yel Green C4070 - Green C4550 - Turquoise C4560 - Aqua C4570 - Blue Green	Dimmer 000–255	Virtual Color Wheel simulates the output of each gel color. Refer to the <a href="#">Virtual Color Wheel Chart</a> for specific values.
	Color Temperature	2800K 2900K 3000K 3100K 3200K 3300K 3400K 3500K 3600K 3700K 3800K 3900K 4000K 4100K 4200K 4300K	Dimmer 0–255	Preset white color temperatures. Emulates a tungsten lamp at the specified color temperature. Refer to the <a href="#">Color Temperature Chart</a> for specific values.
		4400K 4500K 4600K 4700K 4800K 4900K 5000K 5100K 5200K 5300K 5400K 5500K 5600K 5700K 6000K 6500K 7000K 7500K 8000K	Hue -25–25	
	Manual Color Mixer	Red Green Blue Amber Mint	000–255	Combines red, green, blue, amber, and mint to make a custom color (0–100%)
Color X-Fade Speed	Off		Turns off the fade transition between colors	
	X-Fade Speed 1		Creates fade transition between colors when using colors in the Virtual Color Wheel or Color Temperature chart, from fast ( <b>X-Fade Speed 1</b> ) to slow ( <b>X-Fade Speed 4</b> )	
	X-Fade Speed 2			
	X-Fade Speed 3			
X-Fade Speed 4				

## QUICK REFERENCE GUIDE



EN

Main Level	Programming Levels		Description	
Auto Show	Auto 1–5	1–100	Selects automatic programs and auto program speed	
Red Shift	On		Mimics halogen lamp dimming	
	Off			
Gobo Rotator	000–255		Controls the gobo rotator	
Master/Slave	Master		Receives DMX signal from the DMX controller (master)	
	Slave		Receives DMX signal from the master unit	
Dimmer Curve	SCurve Linear Square Inverse Square		Sets the dimmer curve	
Dimmer Mode	Off		Linear dimmer	
	Dimmer 1–3		Dimming curves, from fast ( <b>Dimmer 1</b> ) to slow ( <b>Dimmer 3</b> )	
Color Calibration	Off		Deactivates color calibration	
	User Calibration	Red	125–255	Sets red LED maximum value
		Green		Sets green LED maximum value
		Blue		Sets blue LED maximum value
		Amber		Sets amber LED maximum value
		Mint		Sets mint LED maximum value
Factory Calibration		Uses factory default white setting		
LED Frequency	600Hz 1200Hz 2000Hz 4000Hz 6000Hz 25KHz		Sets the PWM output frequency	
Fan Mode	Auto		Sets the fan to auto mode	
	On		Sets the fan to always on	
	Off		Sets the fan to always off	
	Silent		Sets the fan to silent	
Back Light	10S		Turns off display backlight after 10 seconds of inactivity	
	30S		Turns off display backlight after 30 seconds of inactivity	
	2Min		Turns off display backlight after 2 minutes of inactivity	
	Always On		Display backlight always on	
Gobo Power	On Off		Enables/disables gobo power output	
Information	Fixture Hours	----H	Shows total hours the product has been powered on	
	LED Hours	----H	Shows total hours the LED has been powered on	
	Version	V_._	Shows current firmware version	
	UID	-----	Shows product UID	
Update Firmware	Only This Unit	-----CHL	Selects an update file for this product, or shows <b>"No such file!"</b>	
		...		
	Multiple Units	-----CHL	Selects an update file for this and connected Ovation Rêve E-3 products, or shows <b>"No such file!"</b>	
		...		
Other Fixture Type	-----CHL	Selects an update file for other connected products, or shows <b>"No such file!"</b>		
	...			
Reset Factory	No		Resets settings to factory default	
	Yes			



**WARNING:** When operating in Fan Mode: Off and Fan Mode: Silent, the fixture will become hotter to the touch than when using other fan modes. Use proper protective equipment to prevent burns. Keep a safe distance from flammable objects.



**NOTICE:** When operating in Fan Mode: Off and Fan Mode: Silent, output of the fixture will be reduced and will not reach the same levels as when using other fan modes.

DMX Values

HSV

Channel	Function	Value	Percent/Setting
1	Hue	000 ⇄ 255	0–100%
2	Saturation	000 ⇄ 255	0–100%
3	Value	000 ⇄ 255	0–100%
4	Gobo rotator	000 ⇄ 127	Index
		128 ⇄ 190	Clockwise rotation, fast to slow
		191 ⇄ 192	Stop
		193 ⇄ 255	Counterclockwise rotation, slow to fast

18Ch

Channel	Function	Value	Percent/Setting
1	Dimmer	000 ⇄ 255	0–100%
2	Dimmer fine	000 ⇄ 255	0–100%
3	Red	000 ⇄ 255	0–100%
4	Red fine	000 ⇄ 255	0–100%
5	Green	000 ⇄ 255	0–100%
6	Green fine	000 ⇄ 255	0–100%
7	Blue	000 ⇄ 255	0–100%
8	Blue fine	000 ⇄ 255	0–100%
9	Amber	000 ⇄ 255	0–100%
10	Amber fine	000 ⇄ 255	0–100%
11	Mint	000 ⇄ 255	0–100%
12	Mint fine	000 ⇄ 255	0–100%
13	Strobe	000 ⇄ 010	No function
		011 ⇄ 255	Strobe, slow to fast
14	Virtual color wheel	000 ⇄ 255	Refer to <a href="#">Virtual Color Wheel Chart</a>
15	Color temperature	000 ⇄ 255	Refer to <a href="#">Color Temperature DMX Chart</a>
16	Hue	000 ⇄ 000	0
		001 ⇄ 255	-25–25
17	Control (hold for 3 seconds)	000 ⇄ 007	No function
		008 ⇄ 015	Dimmer reset
		016 ⇄ 023	Red shift on
		024 ⇄ 031	Red shift off
		032 ⇄ 039	S-curve dimmer
		040 ⇄ 047	Linear dimmer
		048 ⇄ 055	Square dimmer curve
		056 ⇄ 063	Inverse square dimmer curve
		064 ⇄ 071	Dimmer speed mode: OFF
		072 ⇄ 079	Dimmer speed 1 (fastest)
		080 ⇄ 087	Dimmer speed 2
		088 ⇄ 095	Dimmer speed 3 (slowest)
		096 ⇄ 103	Fan auto
		104 ⇄ 111	Fan on
		112 ⇄ 119	Fan off
		120 ⇄ 127	Fan silent
128 ⇄ 135	X-Fade Speed: OFF		
136 ⇄ 143	X-Fade Speed: 1 (fastest)		
144 ⇄ 151	X-Fade Speed: 2		
152 ⇄ 159	X-Fade Speed: 3		
160 ⇄ 167	X-Fade Speed: 4 (slowest)		
168 ⇄ 255	Reserved for future use		
18	Gobo rotator	000 ⇄ 127	Index
		128 ⇄ 190	Clockwise rotation, fast to slow
		191 ⇄ 192	Stop
		193 ⇄ 255	Counterclockwise rotation, slow to fast

## QUICK REFERENCE GUIDE



EN

### 14Ch1

Channel	Function	Value	Percent/Setting
1	Dimmer	000 ⇔ 255	0–100%
2	Red	000 ⇔ 255	0–100%
3	Green	000 ⇔ 255	0–100%
4	Blue	000 ⇔ 255	0–100%
5	Amber	000 ⇔ 255	0–100%
6	Mint	000 ⇔ 255	0–100%
7	Strobe	000 ⇔ 010	No function
		011 ⇔ 255	Strobe, slow to fast
8	Virtual color wheel	000 ⇔ 255	Refer to <a href="#">Virtual Color Wheel Chart</a>
9	Color temperature	000 ⇔ 255	Refer to <a href="#">Color Temperature DMX Chart</a>
10	Hue	000 ⇔ 000	0
		001 ⇔ 255	-25–25
11	Auto programs	000 ⇔ 010	No function
		011 ⇔ 060	Auto program 1
		061 ⇔ 110	Auto program 2
		111 ⇔ 160	Auto program 3
		161 ⇔ 210	Auto program 4
211 ⇔ 255	Auto program 5		
12	Auto speed	000 ⇔ 255	Auto speed, slow to fast
13	Control (hold for 3 seconds)	000 ⇔ 007	No function
		008 ⇔ 015	Dimmer reset
		016 ⇔ 023	Red shift on
		024 ⇔ 031	Red shift off
		032 ⇔ 039	S-curve dimmer
		040 ⇔ 047	Linear dimmer
		048 ⇔ 055	Square dimmer curve
		056 ⇔ 063	Inverse square dimmer curve
		064 ⇔ 071	Dimmer speed mode: OFF
		072 ⇔ 079	Dimmer speed 1 (fastest)
		080 ⇔ 087	Dimmer speed 2
		088 ⇔ 095	Dimmer speed 3 (slowest)
		096 ⇔ 103	Fan auto
		104 ⇔ 111	Fan on
		112 ⇔ 119	Fan off
		120 ⇔ 127	Fan silent
		128 ⇔ 135	X-Fade Speed: OFF
136 ⇔ 143	X-Fade Speed: 1 (fastest)		
144 ⇔ 151	X-Fade Speed: 2		
152 ⇔ 159	X-Fade Speed: 3		
160 ⇔ 167	X-Fade Speed: 4 (slowest)		
168 ⇔ 255	Reserved for future use		
14	Gobo rotator	000 ⇔ 127	Index
		128 ⇔ 190	Clockwise rotation, fast to slow
		191 ⇔ 192	Stop
		193 ⇔ 255	Counterclockwise rotation, slow to fast

**14Ch2**

Channel	Function	Value	Percent/Setting
1	Dimmer	000 ⇄ 255	0–100%
2	Dimmer fine	000 ⇄ 255	0–100%
3	Red	000 ⇄ 255	0–100%
4	Red fine	000 ⇄ 255	0–100%
5	Green	000 ⇄ 255	0–100%
6	Green fine	000 ⇄ 255	0–100%
7	Blue	000 ⇄ 255	0–100%
8	Blue fine	000 ⇄ 255	0–100%
9	Amber	000 ⇄ 255	0–100%
10	Amber fine	000 ⇄ 255	0–100%
11	Mint	000 ⇄ 255	0–100%
12	Mint fine	000 ⇄ 255	0–100%
13	Strobe	000 ⇄ 010 011 ⇄ 255	No function Strobe, slow to fast
14	Gobo rotator	000 ⇄ 127 128 ⇄ 190 191 ⇄ 192 193 ⇄ 255	Index Clockwise rotation, fast to slow Stop Counterclockwise rotation, slow to fast

**12Ch**

Channel	Function	Value	Percent/Setting
1	Dimmer	000 ⇄ 255	0–100%
2	Dimmer fine	000 ⇄ 255	0–100%
3	Red	000 ⇄ 255	0–100%
4	Green	000 ⇄ 255	0–100%
5	Blue	000 ⇄ 255	0–100%
6	Amber	000 ⇄ 255	0–100%
7	Mint	000 ⇄ 255	0–100%
8	Strobe	000 ⇄ 010 011 ⇄ 255	No function Strobe, slow to fast
9	Virtual color wheel	000 ⇄ 255	Refer to <a href="#">Virtual Color Wheel Chart</a>
10	Color temperature	000 ⇄ 255	Refer to <a href="#">Color Temperature DMX Chart</a>
11	Hue	000 ⇄ 000 001 ⇄ 255	0 -25–25
12	Gobo rotator	000 ⇄ 127 128 ⇄ 190 191 ⇄ 192 193 ⇄ 255	Index Clockwise rotation, fast to slow Stop Counterclockwise rotation, slow to fast

## QUICK REFERENCE GUIDE

EN

### 8Ch

Channel	Function	Value	Percent/Setting
1	Dimmer	000 ⇔ 255	0–100%
2	Red	000 ⇔ 255	0–100%
3	Green	000 ⇔ 255	0–100%
4	Blue	000 ⇔ 255	0–100%
5	Amber	000 ⇔ 255	0–100%
6	Mint	000 ⇔ 255	0–100%
7	Strobe	000 ⇔ 010 011 ⇔ 255	No function Strobe, slow to fast
8	Gobo rotator	000 ⇔ 127 128 ⇔ 190 191 ⇔ 192 193 ⇔ 255	Index Clockwise rotation, fast to slow Stop Counterclockwise rotation, slow to fast

### 6Ch

Channel	Function	Value	Percent/Setting
1	Red	000 ⇔ 255	0–100%
2	Green	000 ⇔ 255	0–100%
3	Blue	000 ⇔ 255	0–100%
4	Amber	000 ⇔ 255	0–100%
5	Mint	000 ⇔ 255	0–100%
6	Gobo rotator	000 ⇔ 127 128 ⇔ 190 191 ⇔ 192 193 ⇔ 255	Index Clockwise rotation, fast to slow Stop Counterclockwise rotation, slow to fast

### 5Ch

Channel	Function	Value	Percent/Setting
1	Dimmer	000 ⇔ 255	0–100%
2	Virtual color wheel	000 ⇔ 255	Refer to <a href="#">Virtual Color Wheel Chart</a>
3	Color temperature	000 ⇔ 255	Refer to <a href="#">Color Temperature DMX Chart</a>
4	Hue	000 ⇔ 000 001 ⇔ 255	0 -25–25
5	Gobo rotator	000 ⇔ 127 128 ⇔ 190 191 ⇔ 192 193 ⇔ 255	Index Clockwise rotation, fast to slow Stop Counterclockwise rotation, slow to fast

### 1Ch

Channel	Function	Value	Percent/Setting
1	Dimmer	000 ⇔ 255	0–100%

## Acerca de Esta Guía

La Guía de Referencia Rápida (GRR) del Ovation Rêve E-3 contiene información básica sobre el producto, como montaje, opciones de menú y valores DMX. Descargue el Manual de Usuario de [www.chauvetprofessional.com](http://www.chauvetprofessional.com) para información más detallada.

## Exención de Responsabilidad

La información y especificaciones contenidas en esta GRR están sujetas a cambio sin previo aviso.

## GARANTÍA LIMITADA

**PARA VER EL REGISTRO DE GARANTÍA Y LOS TÉRMINOS Y CONDICIONES COMPLETOS, VISITE NUESTRO SITIO WEB.**

**Para clientes en los Estados Unidos y México:** [www.chauvetlighting.com/warranty-registration](http://www.chauvetlighting.com/warranty-registration).

**Para clientes en Reino Unido, República de Irlanda, Bélgica, Países Bajos, Luxemburgo, Francia y Alemania:** [www.chauvetlighting.eu/warranty-registration/](http://www.chauvetlighting.eu/warranty-registration/).

Chauvet garantiza que este producto estará libre de defectos de material y mano de obra en condiciones de uso normales, durante el periodo especificado, sujeto siempre a las exclusiones y limitaciones establecidas en la garantía limitada completa de nuestro sitio web. Esta garantía se concede únicamente al comprador original del producto y no es transferible. Para ejercer los derechos que otorga esta garantía, usted debe proporcionar una prueba de compra en forma de un recibo de compra original, expedido por un distribuidor autorizado, donde figure el nombre del producto y la fecha de compra. NO EXISTEN OTRAS GARANTÍAS EXPRESAS NI IMPLÍCITAS. Esta garantía le otorga derechos legales específicos. Es posible que a usted le asistan otros derechos, que variarán dependiendo del estado o del país. Esta garantía solamente es válida en los Estados Unidos, Reino Unido, República de Irlanda, Bélgica, Países Bajos, Luxemburgo, Francia, Alemania y México. Para conocer los términos de garantía en otros países, consulte a su distribuidor local.

## Notas de Seguridad

- La luminaria debe colocarse de forma que no sea previsible que se mire fijamente hacia ella a una distancia menor de 3,0 m.
- Si se daña el cable externo flexible de esta luminaria, se sustituirá con un cable especial o con un cable disponible exclusivamente a través del fabricante o de su agente de servicio técnico.
- Solo el fabricante, su agente de servicio o un técnico de similar cualificación podrán reemplazar la fuente de luz contenida en esta luminaria.
- La luminaria está destinada exclusivamente a un uso profesional.
- NO abra este producto. No contiene piezas reparables por el usuario.
- NO mire a la fuente de luz cuando el producto esté encendido.
- NO ponga en funcionamiento este producto en el exterior o en cualquier ubicación en la que el polvo, calor excesivo, agua o humedad puedan afectarlo (IP20).
- NO deje ningún material inflamable a menos de 50 cm de este producto mientras esté funcionando o conectado a la alimentación.
- NO ponga en funcionamiento este producto si sospecha que la carcasa, lentes o cables están dañados.
- NO conecte este producto a un atenuador o reostato.
- CUIDADO: La carcasa de este producto está caliente cuando las luces están en funcionamiento.
- CUIDADO: Cuando transfiera el producto desde ambientes con temperatura extrema (p. ej., del remolque frío de un camión a una sala de baile con calor y humedad), puede formarse condensación en la electrónica interna del producto. Para evitar que se produzca una avería, deje que el producto se aclimate completamente al ambiente antes de conectar la alimentación.
- USE un cable de seguridad cuando monte este producto en lo alto.
- Conecte este producto SOLO a un circuito con toma de tierra y protegido.
- Use SOLAMENTE los soportes de colgar/montar para mover este producto.
- Monte este producto en una ubicación con ventilación adecuada, al menos a 20" (50 cm) de superficies adyacentes.
- Para evitar un desgaste innecesario y alargar su vida útil, desconecte complementemente el producto de la alimentación, mediante el interruptor o desenchufándolo, durante los periodos en los que no se use.
- En caso de un problema grave de funcionamiento, deje de usarlo inmediatamente.
- La máxima temperatura ambiente es de 113 °F (45 °C). No haga funcionar este producto a temperaturas más altas.

## Cumplimiento de la FCC

Este dispositivo cumple la parte 15, parte B de las normas FCC. El funcionamiento está supeditado al cumplimiento de estas dos condiciones:

1. Este dispositivo no puede causar interferencias perjudiciales; y
2. Este dispositivo debe aceptar cualquier interferencia recibida, incluyendo las interferencias que puedan causar un funcionamiento no deseado.

Cualquier cambio o modificación que no haya sido expresamente autorizado por la parte responsable de conformidad puede anular la potestad del usuario para hacer funcionar el equipo.

## Contacto

Fuera de EE. UU., Reino Unido, Irlanda, Benelux, Francia, Alemania o México, póngase en contacto con su distribuidor para solicitar asistencia o devolver el producto. Visite [Contact Us](#) para información de contacto.

## Qué va Incluido

- Ovation Rêve E-3
- Cable de alimentación Seetronic Powerkon
- Filtro de enfoque suave
- Ovation soporte de gobo de metal
- Guía de Referencia Rápida

## Corriente Alterna

Este producto tiene una fuente de alimentación con detección automática que puede funcionar con un rango de tensión de entrada de 100 a 240 VCA, 50/60 Hz.

### Alimentación en Cadena

Puede enlazar hasta 3 productos Ovation Rêve E-3 a 100 V, 4 productos a 120 V, 7 a 208 V, 8 a 230 V, o 8 productos a 240 V. Nunca sobrepase este número. Los cables de alimentación en cadena se pueden adquirir por separado.

### Enchufe CA

Conexión	Cable (EE.UU.)	Cable (Europa)	Color del tornillo
CA Cargado	Negro	Marrón	Amarillo/Latón
CA Neutro	Blanco	Azul	Plata
CA Tierra	Verde/Amarillo	Verde/Amarillo	Verde



**Para evitar un desgaste innecesario y alargar su vida útil, desconecte completamente el producto de la alimentación, mediante el interruptor o desenchufándolo, durante los periodos en los que no se use.**

### Sustitución del Fusible

1. Desconecte el producto de la toma de corriente.
2. Con un destornillador Phillips, desatornille la tapa del portafusibles.
3. Quite el fusible fundido del portafusibles y sustitúyalo con otro del mismo tipo y categoría.
4. Vuelva a atornillar la tapa del portafusibles en su sitio y conecte de nuevo la alimentación.

### Enlace DMX

El Ovation Rêve E-3 funcionará con un controlador DMX usando una conexión serial DMX de 3- y 5-pines. Hay un manual DMX disponible en [www.chauvetprofessional.com](http://www.chauvetprofessional.com).

### Conexión DMX

El Ovation Rêve E-3 usa una conexión de datos DMX de 3 y 5 pines para sus personalidades: **1Ch, 5Ch, 6Ch, 8Ch, 12Ch, 14Ch1, 14Ch2, 18Ch** y **HSV**. Vea el Manual de Usuario para conectar y configurar para funcionamiento DMX.

### Conexión Maestro/Esclavo

El Ovation Rêve E-3 usa la conexión de datos DMX para su modo Maestro/Esclavo. Vea el Manual de Usuario para conectar y configurar para funcionamiento Maestro/Esclavo.

### RDM (gestión remota del dispositivo)

Remote Device Management (gestión remota del dispositivo) o RDM, es un estándar que permite a los dispositivos con capacidad DMX una comunicación bidireccional por un cableado DMX existente. El Ovation Rêve E-3 admite protocolo RDM, que posibilita información para supervisar cambiar las opciones del mapa de menú. Descargue el manual de usuario de [www.chauvetprofessional.com](http://www.chauvetprofessional.com) para una información más detallada.



## Actualización de software USB

El Ovation Rêve E-3 permite la actualización de software por USB utilizando el puerto USB incorporado. Para actualizar el software utilizando una unidad USB, haga lo siguiente:

1. Encienda el aparato y conecte la unidad USB al puerto USB.
2. Una vez detectada la unidad, aparecerá el mensaje "Upgrade Firmware (Actualizar firmware)". Pulse <ENTER>.
  - Si aparece un mensaje diferente en la pantalla, busque el software actualizado en el menú (**Update Firmware**) y seleccione de **Only This Unit**, **Multiple Units** o **Other Fixture Type**. Se mostrará una lista de los archivos de software actualizados.
3. Seleccione el archivo que necesite cargarse. Aparecerá el mensaje "Are you sure? (¿Está seguro?)". Pulse <ENTER>.
4. Si el archivo seleccionado es correcto, se completará la mejora. Reinicie el aparato.
  - Si el archivo seleccionado es incorrecto, la mejora fallará y la pantalla volverá a la interfaz principal. Repita los pasos 1–3 utilizando el archivo correcto.



El archivo con formato .chl tiene que colocarse en la carpeta "OVATION" en la unidad USB.



La opción "Other Fixture Type" solo se puede seleccionar para productos conectados compatibles con la Upload 03 (los primeros 2 dígitos del código del artículo deben ser 03).

## Tubos de Lentes

Los siguientes tubos de lentes están disponibles para su compra:

- 19°, 26°, 36° y 50° marco de gel (accesorios 6,25"/159 mm)
- 5° marco de gel con zoom (14"/356 mm)
- 10° marco de gel con zoom (12"/304 mm)
- 14°, 15–30° y 25°–50° marco de gel con zoom (accesorios 7,5"/191 mm)

## Notas del filtro de enfoque suave

El Ovation Rêve E-3 viene con un filtro de enfoque suave. Para mantener el filtro de enfoque suave en buenas condiciones:

- Asegúrese de que no queden huellas dactilares en el filtro, ya que esto puede provocar que el filtro se caliente de manera desigual y termine deformándose.
- Cuando coloque el filtro en el soporte, siga la dirección de orientación impresa en el filtro.
- Cuando inserte las láminas del obturador en el trayecto de la luz, tenga en cuenta que el calor se refleja de vuelta hacia el filtro. Cuanto más profundamente inserte las láminas y más tiempo funcione el dispositivo, más calor se reflejará hacia el filtro, haciendo que este se deforme y que se pueda adherir a las láminas del obturador.

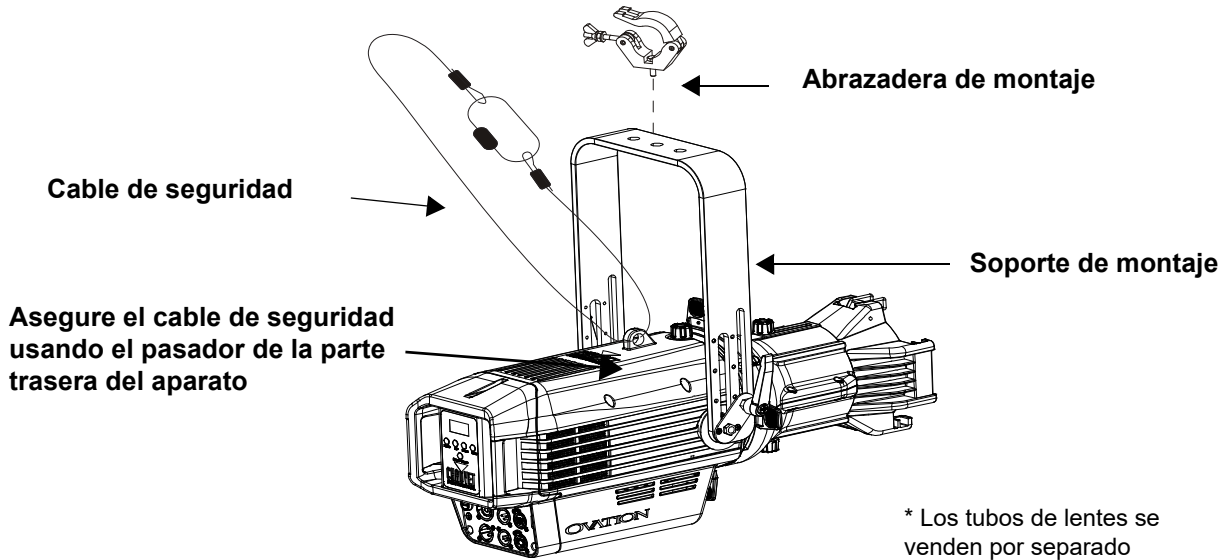


Si hay una película protectora sobre el filtro de enfoque suave, hay que quitarla antes del uso. El filtro está en un soporte en la ranura de gobo de metal.

## Montaje

Antes de montar este producto, lea las [Notas de Seguridad](#). Asegúrese de que las abrazaderas de montaje son capaces de soportar el peso del producto. Para nuestra línea Chauvet de abrazaderas de montaje, visite: <http://trusst.com/productcategory/truss-clamps/>.

### Diagrama de montaje del producto



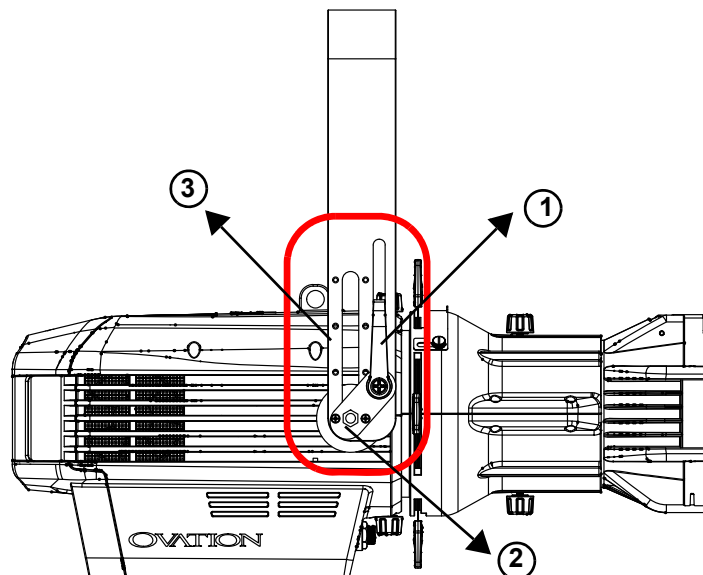
\* Los tubos de lentes se venden por separado

### Montaje en Altura

## Yugo Regulable

El Ovation Rêve E-3 viene con un yugo regulable para montarlo en zonas con baja altura. Para ajustar la altura del yugo, haga lo siguiente:

1. Afloje los mandos de ajuste del soporte en ambos lados del aparato.
2. En cada lado del aparato, retire los dos tornillos y afloje el perno que fija la placa al soporte de montaje.
3. Usando los agujeros del tornillo como guía, ajuste la posición del soporte de montaje para colocar el yugo a la altura deseada.
4. Vuelva a colocar los tornillos y apriete los pernos y los mandos de ajuste del soporte.



**Rueda de Color Virtual (VCW)**

El Ovation Rêve E-3 incluye una función de rueda de color virtual llamada Virtual Color Wheel (VCW). Esta función está disponible como modo de control independiente para uso manual y también como canal de control en algunas personalidades DMX del dispositivo. Más de 30 colores premezclados, elaborados por nuestros ingenieros, están disponibles para facilitarle la programación.

Los valores DMX utilizados para mezclar estos colores se indican más abajo. Puede ajustar la intensidad general del dispositivo Ovation para reproducir más fielmente los colores a los que esté habituado. Hay un gráfico a su disposición en nuestro sitio web [www.chauvetprofessional.com](http://www.chauvetprofessional.com) para comparar nuestros colores premezclados con los colores de gel más populares. Este gráfico sirve solamente para comparar y no implica que nuestros colores premezclados coincidan exactamente con los colores de gel listados.

**Tabla de colores VCW**

Valor del Canal DMX	Lectura en Pantalla	Valor Rojo	Valor Verde	Valor Azul	Valor Ámbar	Valor Verde Menta
000 ⇔ 005	--	--	--	--	--	--
006 ⇔ 013	<b>C3050 - Md Yellow</b>	255	225	0	255	37
014 ⇔ 021	<b>C3040 - Lt Yellow</b>	255	177	3	255	37
022 ⇔ 028	<b>C3240 - Amb Yellow</b>	255	220	0	255	0
029 ⇔ 035	<b>C2340 - VLt Amber</b>	195	0	15	255	57
036 ⇔ 043	<b>C2040 - Lt Amber</b>	255	0	11	255	61
044 ⇔ 051	<b>C2050 - Md Amber</b>	255	53	0	255	17
052 ⇔ 059	<b>C2060 - Dk Amber</b>	255	8	0	255	17
060 ⇔ 067	<b>C1050 - Lt Red</b>	255	0	3	14	0
068 ⇔ 075	<b>C1080 - Md Red</b>	255	0	2	0	0
076 ⇔ 083	<b>C1020 - NC Pink</b>	255	75	62	255	73
084 ⇔ 091	<b>C1030 - Md Pink</b>	255	75	57	255	41
092 ⇔ 099	<b>C1630 - Dk Pink</b>	218	77	57	255	61
100 ⇔ 107	<b>C1250 - Md Red Amber</b>	255	0	9	168	0
108 ⇔ 115	<b>C1060 - Dk Red Amber</b>	255	5	9	36	0
116 ⇔ 121	<b>C1650 - Magenta</b>	255	3	62	255	12
122 ⇔ 130	<b>C6170 - Dk Magenta</b>	255	0	55	0	0
131 ⇔ 138	<b>C6020 - Lt Lavender</b>	255	220	93	255	44
139 ⇔ 146	<b>C5030 - Lt Blue</b>	0	255	159	112	78
147 ⇔ 154	<b>C5020 - VLt Blue</b>	0	215	145	196	65
155 ⇔ 162	<b>C5430 - Lt Blue2</b>	0	215	132	52	92
163 ⇔ 170	<b>C5070 - Blue</b>	0	195	188	0	19
171 ⇔ 178	<b>C5050 - Md Blue</b>	0	163	190	0	68
179 ⇔ 186	<b>C5060 - Dk Blue</b>	0	128	193	0	38
187 ⇔ 194	<b>C5690 - Indigo</b>	53	9	255	0	0
195 ⇔ 202	<b>C5080 - VDk Blue</b>	7	84	116	0	0
203 ⇔ 210	<b>C5081 - VDk Blue2</b>	11	82	139	0	0
211 ⇔ 218	<b>C4370 - Yel Green</b>	0	255	2	25	0
219 ⇔ 226	<b>C4070 - Green</b>	0	255	9	0	175
227 ⇔ 234	<b>C4550 - Turquoise</b>	0	255	87	96	255
235 ⇔ 242	<b>C4560 - Aqua</b>	0	255	98	44	255
243 ⇔ 250	<b>C4570 - Blue Green</b>	0	255	26	8	0
251 ⇔ 255	--	--	--	--	--	--



Los colores listados son interpretaciones simuladas de la emisión de color generada en comparación con otros productos incandescentes similares. Chauvet no garantiza la exactitud del color emitido.

Gráfico de temperaturas de color

Temperatura del Color	Valor Rojo	Valor Verde	Valor Azul	Valor Ambar	Valor Verde Menta
2800K	253	0	25	255	145
2900K	253	3	28	255	153
3000K	251	5	33	255	161
3100K	248	7	36	255	169
3200K	245	9	45	255	173
3300K	242	13	47	255	182
3400K	237	22	53	255	185
3500K	230	30	58	255	185
3600K	225	40	64	255	185
3700K	221	48	70	255	185
3800K	220	48	74	255	197
3900K	220	50	79	255	203
4000K	210	58	84	255	203
4100K	205	63	88	255	203
4200K	199	68	95	255	204
4300K	189	69	98	255	204
4400K	183	71	103	255	204
4500K	174	78	107	255	204
4600K	170	80	112	255	204
4700K	166	89	119	255	204
4800K	164	98	123	255	203
4900K	163	100	129	255	205
5000K	163	103	137	255	206
5100K	163	108	142	255	208
5200K	163	116	147	255	208
5300K	163	118	156	255	210
5400K	162	122	162	255	216
5500K	162	124	166	255	224
5600K	162	127	172	255	229
5700K	159	127	177	255	231
6000K	158	134	192	241	231
6500K	152	152	206	225	231
7000K	144	157	224	218	231
7500K	127	172	238	218	231
8000K	122	175	245	200	231



Las temperaturas de color que aparecen arriba son interpretaciones simuladas de la emisión de color producida cuando se compara con una lámpara de tungsteno a la temperatura de color especificada. Chauvet no garantiza la exactitud del color emitido.

Gráfico DMX de temperatura de color

Canales de DMX	Temperatura del Color	Canales de DMX	Temperatura del Color	Canales de DMX	Temperatura del Color
000 ⇔ 005	Sin función	084 ⇔ 090	3900–4000K	168 ⇔ 174	5100–5200K
006 ⇔ 013	2800–2900K	091 ⇔ 097	4000–4100K	175 ⇔ 181	5200–5300K
014 ⇔ 020	2900–3000K	098 ⇔ 104	4100–4200K	182 ⇔ 188	5300–5400K
021 ⇔ 027	3000–3100K	105 ⇔ 111	4200–4300K	189 ⇔ 195	5400–5500K
028 ⇔ 034	3100–3200K	112 ⇔ 118	4300–4400K	196 ⇔ 202	5500–5600K
035 ⇔ 041	3200–3300K	119 ⇔ 125	4400–4500K	203 ⇔ 209	5600–5700K
042 ⇔ 048	3300–3400K	126 ⇔ 132	4500–4600K	210 ⇔ 216	5700–6000K
049 ⇔ 055	3400–3500K	133 ⇔ 139	4600–4700K	217 ⇔ 223	6000–6500K
056 ⇔ 062	3500–3600K	140 ⇔ 146	4700–4800K	224 ⇔ 230	6500–7000K
063 ⇔ 069	3600–3700K	147 ⇔ 153	4800–4900K	231 ⇔ 237	7000–7500K
070 ⇔ 076	3700–3800K	154 ⇔ 160	4900–5000K	238 ⇔ 244	7500–8000K
077 ⇔ 083	3800–3900K	161 ⇔ 167	5000–5100K	245 ⇔ 255	8000K

### Descripción del Panel de Control

Botón	Función
<MENU>	Sale del menú o función actual
<ENTER>	Habilita el menú actualmente en pantalla o configura el valor seleccionado actualmente dentro de la función seleccionada
<UP>	Navega hacia arriba por la lista de menú o aumenta el valor numérico cuando está en una función
<DOWN>	Navega hacia abajo por la lista de menú o disminuye el valor numérico cuando está en una función
<FOCUS>	Configura el aparato en modo Foco, que pone la unidad a máxima potencia para facilitar el enfoque sin cambiar ningún otro ajuste del aparato. Pulse de nuevo para abandonar el modo Foco.

### Mapa de Menú

Consulte la página del producto Ovation Rêve E-3 en [www.chauvetprofessional.com](http://www.chauvetprofessional.com) para ver el último mapa de menú.

Principal	Niveles de Programación		Descripción
<b>DMX Address</b>	<b>001–512*</b>		Selecciona la dirección de inicio (*canal más alto restringido a la elección de personalidad)
<b>DMX Channel</b>	<b>1Ch</b>	<b>Virtual Color Wheel</b>	1 canal: atenuador
		<b>Color Temperature</b>	
		<b>Manual Color Mixer</b>	
	<b>5Ch</b>	5 canales: atenuador, VCW, temperatura de color, tono, rotador de gobos	
	<b>6Ch</b>	6 canales: RVAA, verde menta, rotador de gobos	
	<b>8Ch</b>	8 canales: RVAA, verde menta, atenuador, estroboscopio, rotador de gobos	
	<b>12Ch</b>	12 canales: 16-bits atenuador, RVAA, verde menta, estroboscopio, VCW, temperatura de color, tono, rotador de gobos	
	<b>14Ch1</b>	14 canales: atenuador, RVAA, verde menta, estroboscopio, VCW, temperatura de color, programas automática, velocidad automática, control, rotador de gobos	
	<b>14Ch2</b>	14 canales: 16-bits RVAA, verde menta y atenuador, estroboscopio, rotador de gobos	
<b>18Ch</b>	18 canales: 16-bits atenuador, 16-bits RVAA, verde menta, estroboscopio, VCW, temperatura de color, tono, control, rotador de gobos		
	<b>HSV</b>		4 canales: tono, saturación, valor, rotador de gobos
<b>Virtual Color Wheel</b>	<b>Virtual Color Wheel</b> <b>C3050 - Md Yellow</b> <b>C3040 - Lt Yellow</b> <b>C3240 - Amb Yellow</b> <b>C2340 - V Lt Amber</b> <b>C2040 - Lt Amber</b> <b>C2050 - Md Amber</b> <b>C2060 - Dk Amber</b> <b>C1050 - Lt Red</b> <b>C1080 - Md Red</b> <b>C1020 - NC Pink</b> <b>C1030 - Md Pink</b> <b>C1630 - Dk Pink</b> <b>C1250 - Md Red Amber</b> <b>C1060 - Dk Red Amber</b> <b>C1650 - Magenta</b> <b>C6170 - Dk Magenta</b> <b>C6020 - Lt Lavender</b> <b>C5030 - Lt Blue</b> <b>C5020 - V Lt Blue</b> <b>C5430 - Lt Blue 2</b> <b>C5070 - Blue</b> <b>C5050 - Md Blue</b>	<b>Dimmer 000–255</b>	Rueda de Color Virtual simula la emisión de cada gel de color. Consulte la sección <a href="#">Tabla de colores VCW</a> para ver los valores específicos.

Principal	Niveles de Programación		Descripción
Virtual Color Wheel	C5060 - Dk Blue C5690 - Indigo C5080 - Vdk Blue C5081 - Vdk Blue 2 C4370 - Yel Green C4070 - Green C4550 - Turquoise C4560 - Aqua C4570 - Blue Green	Dimmer 000–255	Rueda de Color Virtual simula la emisión de cada gel de color. Consulte la sección <a href="#">Tabla de colores VCW</a> para ver los valores específicos.
	2800K 2900K 3000K 3100K 3200K 3300K 3400K 3500K 3600K 3700K 3800K 3900K 4000K 4100K 4200K 4300K 4400K 4500K 4600K 4700K 4800K 4900K 5000K 5100K 5200K 5300K 5400K 5500K 5600K 5700K 6000K 6500K 7000K 7500K 8000K	Dimmer 0–255	Temperaturas de color blanco. Emula una lámpara de tungsteno a la temperatura de color especificada. Consulte el apartado <a href="#">Gráfico de temperaturas de color</a> para ver valores concretos.
	Color Temperature	Hue -25–25	
	Manual Color Mixer	Red Green Blue Amber Mint	000–255
Color X-Fade Speed	Off		Desactiva la transición de desvanecimiento entre colores
	X-Fade Speed 1		Crea una transición de desvanecimiento entre colores cuando se utilizan colores en la rueda de color virtual o en la tabla de temperatura de color, desde rápido ( <b>X-Fade Speed 1</b> ) hasta lento ( <b>X-Fade Speed 4</b> )
	X-Fade Speed 2		
	X-Fade Speed 3		
X-Fade Speed 4			

Principal	Niveles de Programación		Descripción	
Auto Show	Auto 1-5	1-100	Selecciona programas automáticos y velocidad	
Red Shift	On		Imita la atenuación de una lámpara halógena	
	Off			
Gobo Rotator	000-255		Controla el rotador de gobos	
Master/ Slave	Master		Recibe señales DMX del controlador DMX (maestro)	
	Slave		Recibe señales del maestro	
Dimmer Curve	SCurve Linear Square Inverse Square		Configura la curva del atenuador	
Dimmer Mode	Off		Atenuador lineal	
	Dimmer 1-3		Curvas de atenuador, rápido ( <b>Dimmer 1</b> ) a lento ( <b>Dimmer 3</b> )	
Color Calibration	Off		Desactiva la calibración de color	
	User Calibration	Red	125-255	Establece el valor máximo de LED rojo
		Green		Establece el valor máximo de LED verde
		Blue		Establece el valor máximo de LED azul
		Amber		Establece el valor máximo de LED ámbar
		Mint		Establece el valor máximo de LED verde menta
Factory Calibration		Utiliza la configuración de blanco predeterminada de fábrica		
LED Frequency	600Hz 1200Hz 2000Hz 4000Hz 6000Hz 25KHz		Selecciona la frecuencia de emisión PWM	
Fan Mode	Auto		Establece el ventilador a modo auto	
	On		Establece el ventilador a modo siempre encendido	
	Off		Establece el ventilador siempre apagado	
	Silent		Establece el ventilador en silencio	
Back Light	10S		Retro-iluminación se apaga después de 10 segundos	
	30S		Retro-iluminación se apaga después de 30 segundos	
	2Min		Retro-iluminación se apaga después de 2 minutos	
	Always On		Retro-iluminación de la pantalla siempre activa	
Gobo Power	On		Activa o desactiva el salida de alimentación de gobo	
	Off			
Information	Fixture Hours	---_H	Muestra el nombre total de las horas del producto	
	LED Hours	---_H	Muestra el nombre total de las horas del LED	
	Version	V_--	Muestra instalada la versión de firmware	
	UID	-----	Muestra el UID # del producto	
Update Firmware	Only This Unit	-----CHL	Muestra los archivos de actualización para este producto, o muestra "No such file!"	
		...		
	Multiple Units	-----CHL	Muestra los archivos de actualización para este producto y productos Ovation Rêve E-3 conectados, o muestra "No such file!"	
		...		
Other Fixture Type	-----CHL	Muestra los archivos de actualización para otros productos conectados, o muestra "No such file!"		
	...			
Reset Factory	No		Reinicia a la configuración de fábrica	
	Yes			



**ADVERTENCIA:** Cuando funcione en modo ventilador: apagado, el aparato estará más caliente al tacto que si se usan otros modos de ventilador. Utilice un equipo de protección adecuado para evitar quemaduras. Mantenga una distancia de seguridad con objetos inflamable.



**AVISO:** Cuando funcione en modo ventilador: apagado, bajará el rendimiento del aparato y no alcanzará los mismos niveles que cuando use otros modos de ventilador.

ES

Valores DMX

HSV

Canal	Función	Valor	Porcentaje/Configuración
1	Tono	000 ⇔ 255	0–100%
2	Saturación	000 ⇔ 255	0–100%
3	Valor	000 ⇔ 255	0–100%
4	Gobo rotator	000 ⇔ 127	Índice
		128 ⇔ 190	Rotación en sentido horario, rápido a lento
		191 ⇔ 192	Parada
		193 ⇔ 255	Rotación en sentido antihorario, de lenta a rápida

18Ch

Canal	Función	Valor	Porcentaje/Configuración
1	Atenuador	000 ⇔ 255	0–100%
2	Atenuador fino	000 ⇔ 255	0–100%
3	Rojo	000 ⇔ 255	0–100%
4	Rojo fino	000 ⇔ 255	0–100%
5	Verde	000 ⇔ 255	0–100%
6	Verde fino	000 ⇔ 255	0–100%
7	Azul real	000 ⇔ 255	0–100%
8	Azul real fino	000 ⇔ 255	0–100%
9	Ámbar	000 ⇔ 255	0–100%
10	Ámbar fino	000 ⇔ 255	0–100%
11	Verde menta	000 ⇔ 255	0–100%
12	Verde menta fino	000 ⇔ 255	0–100%
13	Estroboscopio	000 ⇔ 010	Sin función
		011 ⇔ 255	Estroboscopio, lento a rápido
14	Rueda de color virtual	000 ⇔ 255	Referirse a <a href="#">Tabla de colores VCW</a>
15	Temperature del color	000 ⇔ 255	Referirse a <a href="#">Gráfico DMX de temperatura de color</a>
16	Tono	000 ⇔ 000	0
		001 ⇔ 255	-25–25
17	Control (mantenga para 3 segundos)	000 ⇔ 007	Sin función
		008 ⇔ 015	Reiniciar el atenuador
		016 ⇔ 023	Cambio a rojo apagado
		024 ⇔ 031	Cambio a rojo encendido
		032 ⇔ 039	Curva de atenuador curva-S
		040 ⇔ 047	Curva de atenuador lineal
		048 ⇔ 055	Curva de atenuador cuadrado
		056 ⇔ 063	Curva atenuador cuadrado inverso
		064 ⇔ 071	Modo velocidad del atenuador desactivado
		072 ⇔ 079	Velocidad de atenuador 1 (rápida)
		080 ⇔ 087	Velocidad de atenuador 2
		088 ⇔ 095	Velocidad de atenuador 3 (lenta)
		096 ⇔ 103	Ventilador a modo auto
		104 ⇔ 111	Ventilador a modo encendido
		112 ⇔ 119	Ventilador a modo apagado
		120 ⇔ 127	Ventilador a modo silencio
		128 ⇔ 135	Velocidad X-Fade: desactiva
136 ⇔ 143	Velocidad X-Fade 1 (más rápida)		
144 ⇔ 151	Velocidad X-Fade 2		
152 ⇔ 159	Velocidad X-Fade 3		
160 ⇔ 167	Velocidad X-Fade 4 (más lenta)		
168 ⇔ 255	Reservado para utilización futura		
18	Gobo rotator	000 ⇔ 127	Índice
		128 ⇔ 190	Rotación en sentido horario, rápido a lento
		191 ⇔ 192	Parada
		193 ⇔ 255	Rotación en sentido antihorario, de lenta a rápida



**14Ch1**

Canal	Función	Valor	Porcentaje/Configuración
1	Atenuador	000 ⇔ 255	0–100%
2	Rojo	000 ⇔ 255	0–100%
3	Verde	000 ⇔ 255	0–100%
4	Azul	000 ⇔ 255	0–100%
5	Ámbar	000 ⇔ 255	0–100%
6	Verde Menta	000 ⇔ 255	0–100%
7	Estroboscopio	000 ⇔ 010 011 ⇔ 255	Sin función Estroboscopico, lento a rápido
8	Rueda de color virtual	000 ⇔ 255	Referirse a <a href="#">Tabla de colores VCW</a>
9	Temperature del color	000 ⇔ 255	Referirse a <a href="#">Gráfico DMX de temperatura de color</a>
10	Tono	000 ⇔ 000 001 ⇔ 255	0 -25–25
11	Programas automática	000 ⇔ 010 011 ⇔ 060 061 ⇔ 110 111 ⇔ 160 161 ⇔ 210 211 ⇔ 255	Sin función Auto programas 1 Auto programas 2 Auto programas 3 Auto programas 4 Auto programas 5
12	Velocidad automática	000 ⇔ 255	0–100%
13	Control (mantenga para 3 segundos)	000 ⇔ 007 008 ⇔ 015 016 ⇔ 023 024 ⇔ 031 032 ⇔ 039 040 ⇔ 047 048 ⇔ 055 056 ⇔ 063 064 ⇔ 071 072 ⇔ 079 080 ⇔ 087 088 ⇔ 095 096 ⇔ 103 104 ⇔ 111 112 ⇔ 119 120 ⇔ 127 128 ⇔ 135 136 ⇔ 143 144 ⇔ 151 152 ⇔ 159 160 ⇔ 167 168 ⇔ 255	Sin función Reiniciar el atenuador Cambio a rojo apagado Cambio a rojo encendido Curva de atenuador curva-S Curva de atenuador lineal Curva de atenuador cuadrado Curva atenuador cuadrado inverso Modo velocidad del atenuador desactivado Velocidad de atenuador 1 (rápida) Velocidad de atenuador 2 Velocidad de atenuador 3 (lenta) Ventilador a modo auto Ventilador a modo encendido Ventilador a modo apagado Ventilador a modo silencio Velocidad X-Fade: desactiva Velocidad X-Fade 1 (más rápida) Velocidad X-Fade 2 Velocidad X-Fade 3 Velocidad X-Fade 4 (más lenta) Reservado para utilización futura
14	Gobo rotator	000 ⇔ 127 128 ⇔ 190 191 ⇔ 192 193 ⇔ 255	Índice Rotación en sentido horario, rápido a lento Parada Rotación en sentido antihorario, de lenta a rápida

ES

14Ch2

Canal	Función	Valor	Porcentaje/Configuración
1	Atenuador	000 ⇔ 255	0–100%
2	Atenuador fino	000 ⇔ 255	0–100%
3	Rojo	000 ⇔ 255	0–100%
4	Rojo fino	000 ⇔ 255	0–100%
5	Verde	000 ⇔ 255	0–100%
6	Verde fino	000 ⇔ 255	0–100%
7	Azul real	000 ⇔ 255	0–100%
8	Azul real fino	000 ⇔ 255	0–100%
9	Ámbar	000 ⇔ 255	0–100%
10	Ámbar fino	000 ⇔ 255	0–100%
11	Verde menta	000 ⇔ 255	0–100%
12	Verde menta fino	000 ⇔ 255	0–100%
13	Estroboscopio	000 ⇔ 010 011 ⇔ 255	Sin función Estroboscopio, lento a rápido
14	Gobo rotator	000 ⇔ 127 128 ⇔ 190 191 ⇔ 192 193 ⇔ 255	Índice Rotación en sentido horario, rápido a lento Parada Rotación en sentido antihorario, de lenta a rápida

12Ch

Canal	Función	Valor	Porcentaje/Configuración
1	Atenuador	000 ⇔ 255	0–100%
2	Atenuador fino	000 ⇔ 255	0–100%
3	Rojo	000 ⇔ 255	0–100%
4	Verde	000 ⇔ 255	0–100%
5	Azul	000 ⇔ 255	0–100%
6	Ámbar	000 ⇔ 255	0–100%
7	Verde menta	000 ⇔ 255	0–100%
8	Estroboscopio	000 ⇔ 010 011 ⇔ 255	Sin función Estroboscopico, lento a rápido
9	Rueda de color virtual	000 ⇔ 255	Referirse a <a href="#">Tabla de colores VCW</a>
10	Temperature del color	000 ⇔ 255	Referirse a <a href="#">Gráfico DMX de temperatura de color</a>
11	Tono	000 ⇔ 000 001 ⇔ 255	0 -25–25
12	Gobo rotator	000 ⇔ 127 128 ⇔ 190 191 ⇔ 192 193 ⇔ 255	Índice Rotación en sentido horario, rápido a lento Parada Rotación en sentido antihorario, de lenta a rápida

**8Ch**

Canal	Función	Valor	Porcentaje/Configuración
1	Atenuador	000 ⇔ 255	0–100%
2	Rojo	000 ⇔ 255	0–100%
3	Verde	000 ⇔ 255	0–100%
4	Azul	000 ⇔ 255	0–100%
5	Ámbar	000 ⇔ 255	0–100%
6	Verde menta	000 ⇔ 255	0–100%
7	Estroboscopio	000 ⇔ 010 011 ⇔ 255	Sin función Estroboscopico, lento a rápido
8	Gobo rotator	000 ⇔ 127 128 ⇔ 190 191 ⇔ 192 193 ⇔ 255	Índice Rotación en sentido horario, rápido a lento Parada Rotación en sentido antihorario, de lenta a rápida

**6Ch**

Canal	Función	Valor	Porcentaje/Configuración
1	Rojo	000 ⇔ 255	0–100%
2	Verde	000 ⇔ 255	0–100%
3	Azul	000 ⇔ 255	0–100%
4	Ámbar	000 ⇔ 255	0–100%
5	Verde menta	000 ⇔ 255	0–100%
6	Gobo rotator	000 ⇔ 127 128 ⇔ 190 191 ⇔ 192 193 ⇔ 255	Índice Rotación en sentido horario, rápido a lento Parada Rotación en sentido antihorario, de lenta a rápida

**5Ch**

Canal	Función	Valor	Porcentaje/Configuración
1	Atenuador	000 ⇔ 255	0–100%
2	Temperatura del color	000 ⇔ 255	Referirse a <a href="#">Tabla de colores VCW</a>
5	Temperature del color	000 ⇔ 255	Referirse a <a href="#">Gráfico DMX de temperatura de color</a>
4	Tono	000 ⇔ 000 001 ⇔ 255	0 -25–25
5	Gobo rotator	000 ⇔ 127 128 ⇔ 190 191 ⇔ 192 193 ⇔ 255	Índice Rotación en sentido horario, rápido a lento Parada Rotación en sentido antihorario, de lenta a rápida

**1Ch**

Canal	Función	Valor	Porcentaje/Configuración
1	Atenuador	000 ⇔ 255	0–100%

## À Propos de ce Manuel

Le Manuel de Référence du Ovation Rêve E-3 (MR) reprend des informations de base sur cet appareil notamment en matière de connexions, montage, options de menu et valeurs DMX. Télécharger le Manuel d'Utilisation sur [www.chauvetprofessional.com](http://www.chauvetprofessional.com) pour de plus amples informations.

### Clause de Non-Responsabilité

Les informations et caractéristiques contenues dans ce manuel sont sujettes à changement sans préavis.

### GARANTIE LIMITÉE

**VEUILLEZ VISITER NOTRE SITE INTERNET POUR CONSULTER LES MODALITÉS D'ENREGISTREMENT DE LA GARANTIE ET LES CONDITIONS GÉNÉRALES COMPLÈTES.**

**Pour les clients aux États-Unis et au Mexique:** [www.chauvetlighting.com/warranty-registration](http://www.chauvetlighting.com/warranty-registration).

**Pour les clients du Royaume-Uni, de la République d'Irlande, de la Belgique, des Pays-Bas, du Luxembourg, de la France et de l'Allemagne:** [www.chauvetlighting.eu/warranty-registration/](http://www.chauvetlighting.eu/warranty-registration/).

Chauvet garantit que cet appareil est exempt de défauts de matériaux et de fabrication dans des conditions normales d'utilisation, pendant la période spécifiée dans la garantie limitée complète consultable sur notre site Internet et sous réserve des exclusions et limitations qui y sont énoncées. Cette garantie ne s'applique qu'à l'acheteur initial du produit et n'est pas transférable. Pour exercer les droits prévus par cette garantie, vous devez fournir une preuve d'achat sous la forme d'un reçu de vente original d'un revendeur autorisé qui indique le nom du produit et la date d'achat. IL N'EXISTE AUCUNE AUTRE GARANTIE EXPRESSE OU IMPLICITE. Cette garantie vous confère des droits légaux spécifique. Vous pouvez également bénéficier d'autres droits qui varient selon les états et les pays. Cette garantie n'est valable qu'aux États-Unis, au Royaume-Uni, en République d'Irlande, en Belgique, aux Pays-Bas, au Luxembourg, en France, en Allemagne et au Mexique. Pour connaître les conditions de garantie dans d'autres pays, veuillez consulter votre revendeur local.

### Consignes de Sécurité

- Le luminaire doit être placé de manière à ce qu'il ne soit pas possible de le regarder de manière fixe à une distance inférieure à 3,0 m.
- Si le câble ou le cordon flexible externe de ce luminaire est endommagé, il doit être remplacé par un câble ou cordon spécial disponible exclusivement auprès du fabricant ou de son prestataire de service.
- La source lumineuse contenue dans ce luminaire ne peut être remplacée que par le fabricant ou son prestataire de service ou une personne suffisamment qualifiée.
- Ce luminaire est uniquement réservé à un usage professionnel.
- N'ouvrez PAS cet appareil. Il ne contient aucun composant susceptible d'être réparé par l'utilisateur.
- Ne regardez PAS la source lumineuse lorsque l'appareil fonctionne.
- N'utilisez PAS ce produit en extérieur ou tout autre endroit où de la poussière, une chaleur excessive, de l'eau ou de l'humidité pour en affecter le fonctionnement (IP20).
- Ne laissez AUCUNE source inflammable dans un rayon de 50 cm de l'appareil lorsque celui-ci fonctionne.
- N'utilisez PAS cet appareil si le boîtier, les lentilles ou les câbles vous semblent endommagés.
- Ne connectez PAS cet appareil ni à un gradateur ni à un rhéostat.
- ATTENTION : le boîtier de cet appareil est brûlant lors du fonctionnement.
- ATTENTION : Lorsque l'appareil est transféré d'un environnement à température extrême à un autre (par exemple d'un camion froid vers une salle de bal chaude et humide), de la condensation peut se former sur les composants électriques internes. Pour éviter de causer des dommages, laissez l'appareil s'acclimater entièrement au milieu environnant avant de le mettre sous tension.
- Utilisez TOUJOURS un câble de sécurité lorsque vous montez cet appareil en hauteur.
- Connectez UNIQUEMENT cet appareil à un circuit protégé et relié à la terre.
- Transportez/Suspendez cet appareil UNIQUEMENT par le support de montage dont il est doté.
- Montez toujours cet appareil dans un endroit bien ventilé, à au moins, 20 pouces (50 cm) des surfaces adjacentes.
- Durant les périodes de non-utilisation, pour éviter toute usure inutile et pour prolonger la durée de vie, déconnectez-entièrement l'appareil en le débranchant de l'alimentation électrique ou en coupant le disjoncteur.
- En cas de sérieux problèmes de fonctionnement, arrêtez le système immédiatement.
- La température ambiante maximale supportée par cet appareil est de 113 °F (45 °C). Ne le faites pas fonctionner à des températures plus élevées.

### Conformité FCC

Cet appareil est conforme à la partie 15, sous-partie B du règlement de la FCC. L'utilisation est soumise aux deux conditions suivantes :

1. Cet appareil ne doit pas causer d'interférences nuisibles, et
2. Cet appareil doit accepter toutes les interférences reçues, y compris celles pouvant entraîner un fonctionnement indésirable.

Tout changement ou modification non expressément approuvé par l'autorité responsable de la conformité pourrait annuler le droit de l'utilisateur à utiliser l'équipement.

### Contact

En dehors des États-Unis, du Royaume-Uni, de l'Irlande, du Benelux, de la France, de l'Allemagne, ou du Mexique, contactez votre fournisseur si vous avez besoin d'assistance ou de retourner votre appareil. Consultez le site [Contact Us](#) pour trouver nos coordonnées.

### Ce Qui est Inclus

- Ovation Rêve E-3
- Un filtre de flou
- Un Manuel de Référence
- Un cordon d'alimentation Seetronic Powerkon
- Porte-gobo en métal

## Alimentation CA

Cet appareil est doté d'une alimentation universelle prenant en charge toute tension d'entrée comprise entre 100 et 240 VCA, 50/60 Hz.

## Connexion Électrique

Vous pouvez connecter jusqu'à 3 Ovation Rêve E-3 à 100 V, 4 unités à 120 V, 7 unités à 208 V, 8 unités à 230 V ou 8 unités à 240 V. Ne dépassez jamais cette limite. Vous pouvez vous procurer séparément des cordons d'alimentation.

## Prise CA

Connexion	Câble (États-Unis)	Câble (Europe)	Couleur de la vis
Conducteur CA	Noir	Marron	Jaune/Cuivré
Neutre CA	Blanc	Bleu	Argenté
Terre CA	Vert/Jaune	Vert/Jaune	Vert



**Durant les périodes de non-utilisation, pour éviter toute usure inutile et pour prolonger la durée de vie, déconnectez-entièrement l'appareil en le débranchant de l'alimentation électrique ou en coupant le disjoncteur.**

## Remplacement du Fusible

1. Débranchez l'appareil de la prise.
2. À l'aide d'un tournevis Phillips, dévissez le couvercle du porte-fusible.
3. Remplacez le fusible obsolète par un fusible neuf équivalent.
4. Revissez le couvercle du porte-fusible et rebranchez l'unité.

## Raccordement DMX

Le Ovation Rêve E-3 fonctionnera avec un jeu d'orgues DMX au moyen de connexions série DMX à 3 et 5 broches. Une introduction au DMX est à votre disposition sur [www.chauvetprofessional.com](http://www.chauvetprofessional.com).

## Connexion DMX

Le Ovation Rêve E-3 utilise une connexion de données DMX à 3 et 5 broches pour ses personnalités DMX: **1Ch, 5Ch, 6Ch, 8Ch, 12Ch, 14Ch1, 14Ch2, 18Ch** et **HSV**. Consultez le Manuel d'Utilisation pour connecter et configurer le système DMX.

## Connexion Maître/ Esclave

Le Ovation Rêve E-3 utilise une connexion de données DMX pour son mode Maître/Esclave. Consultez le Manuel d'Utilisation pour connecter et configurer le mode de fonctionnement Maître/Esclave.

## RDM (Gestion des périphériques à distance)

Le protocole RDM (gestion des périphériques à distance) est un standard pour la communication bidirectionnelle des appareils dotés de fonctions DMX dans un câblage DMX existant. Le Ovation Rêve E-3 supporte le protocole RDM permettant un retour d'information pour la surveillance et des changements des options de menu. Veuillez télécharger le manuel de l'utilisateur à partir du site internet [www.chauvetprofessional.com](http://www.chauvetprofessional.com) pour plus de détails.

## Mise à jour logicielle par USB

Le Ovation Rêve E-3 supporte une mise à jour logicielle par USB à l'aide du port USB intégré. Pour mettre à jour le logiciel à l'aide d'une clé USB, procédez comme suit:

1. Allumez l'appareil et branchez la clé USB dans le port USB.
2. Une fois que la clé USB a été détectée, le message « Upgrade Firmware » (mise à jour du micrologiciel) s'affiche. Appuyez sur <ENTER>.
  - Si un message différent apparaît à l'écran, recherchez le logiciel mis à jour dans le menu (**Update Firmware**) et sélectionnez parmi **Only This Unit**, **Multiple Units** ou **Other Fixture Type**. Une liste des fichiers logiciels de mise à jour s'affiche.
3. Sélectionnez le fichier à télécharger. Le message « Are you sure? » (êtes-vous sûr ?) s'affiche. Appuyez sur <ENTER>.
4. Si le fichier sélectionné est correct, la mise à niveau se termine. Redémarrez l'appareil.
  - Si le fichier sélectionné est incorrect, la mise à niveau échoue et l'affichage revient au menu principal. Répétez les étapes 1 à 3 en utilisant le bon fichier.



**Les fichiers au format .chl doivent être placés dans le dossier « OVATION » de la clé USB.**



**L'option « Other Fixture Type » ne peut être sélectionnée que pour les produits connectés compatibles avec le Upload 03 (les 2 premiers chiffres du code article doivent être 03).**

## Lens Tubes

Les tubes de lentilles suivantes sont disponibles à l'achat:

- 19°, 26°, 36° et 50° gélatine (accessoires 6,25 pouces/159 mm)
- 5° zoom gélatine (14 pouces/356 mm)
- 10° zoom gélatine (12 pouces/304 mm)
- 14°, 15–30° et 25°–50° zoom gélatine (accessoires 7,5 pouces/191 mm)

## Filtre Soft Focus

L'Ovation Rêve E-3 est livré avec un filtre soft focus. Pour garder le filtre soft focus en bon état :

- Veillez à ne pas laisser d'empreintes de doigt sur le filtre, car cela pourrait causer une chauffe non uniforme pouvant entraîner une déformation.
- Lorsque vous placez le filtre dans le support, respectez le sens d'orientation imprimé sur le filtre.
- Lorsque vous ajoutez des lames d'obturateur sur le trajet de la lumière, prenez bien en compte que la chaleur sera renvoyée vers le filtre. Plus les lames sont insérées profondément et plus l'appareil fonctionne longtemps, plus la chaleur sera réfléchi sur le filtre, qui se déformera et pourrait alors rentrer en contact avec les lames de l'obturateur.

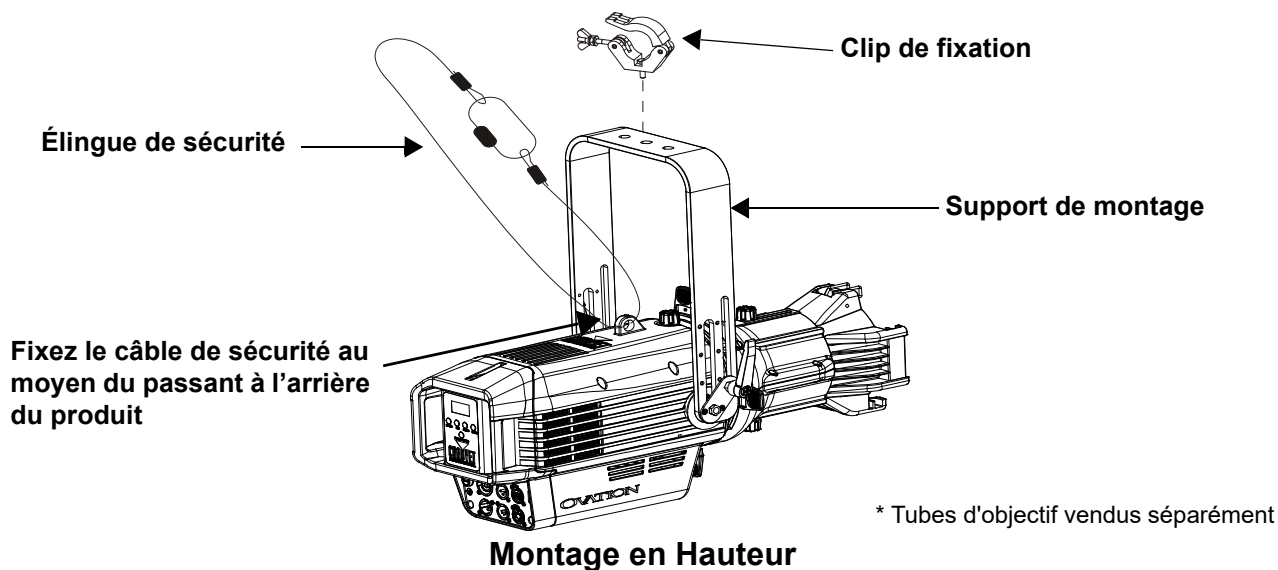


**S'il y a un film de protection sur le filtre soft-focus, il faut l'enlever avant de l'utiliser. Le filtre est situé dans un support dans la fente métallique du gobo.**

## Installation

Avant de monter cet appareil, lisez et assimilez les [Consignes de Sécurité](#). Veillez à ce que les fixations sont capables de supporter le poids de l'unité. Découvrez notre gamme de fixations Chauvet sur <http://trusst.com/productcategory/truss-clamps/>.

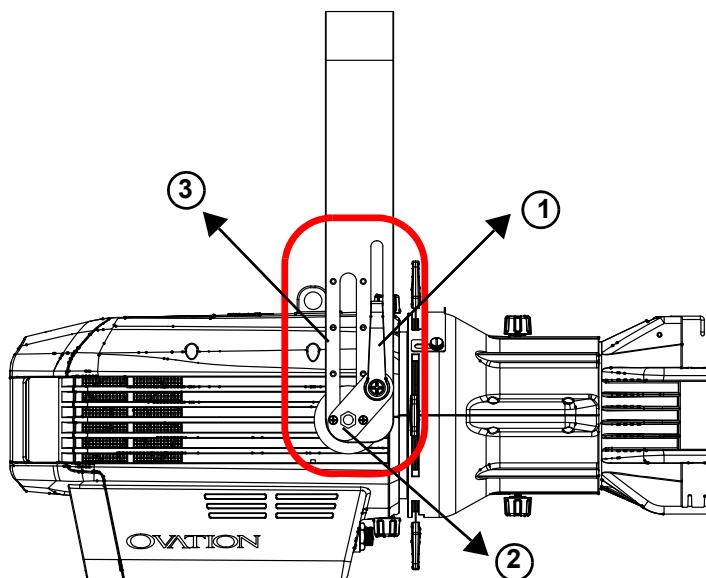
### Schéma de Montage de l'Appareil



### Étrier réglable

L'Ovation Rêve E-3 est livré avec un étrier réglable pour un montage dans les zones avec peu d'espace. Pour régler la hauteur de l'étrier, effectuez les actions suivantes :

1. Desserrez les molettes de réglage du support des deux côtés de l'appareil.
2. De chaque côté de l'appareil, retirez les deux vis et desserrez le boulon fixant la plaque au support de montage.
3. En utilisant les trous de vis comme guide, ajustez la position du support de montage pour obtenir la hauteur souhaitée de l'étrier.
4. Remettez les vis en place et serrez les boulons ainsi que les molettes de réglage du support.



### Roue de Couleurs Virtuelles (VCW)

Le Ovation Rêve E-3 dispose d'une fonction appelée Roue de Couleur Virtuelle (VCW - Virtual Color Wheel). Cette fonction est disponible en mode de contrôle autonome pour une utilisation manuelle mais également en tant que canal de contrôle dans certaines personnalités DMX. Plus de 30 couleurs pré-mélangées, personnalisées par nos ingénieurs, sont disponibles pour faciliter la programmation.

Les valeurs DMX utilisées pour mélanger ces couleurs sont indiquées ci-dessous. Vous pouvez ajuster l'intensité globale du Ovation afin de reproduire plus fidèlement les couleurs que vous avez l'habitude d'utiliser. Un graphique est disponible sur notre site Web à l'adresse [www.chauvetprofessional.com](http://www.chauvetprofessional.com) pour comparer nos couleurs pré-mélangées avec des couleurs de gel populaires. Ce tableau est fourni uniquement à des fins de comparaison et ne certifie pas que nos couleurs pré-mélangées correspondent aux couleurs de gel énumérées.

#### Gamme de couleurs

Valeurs des Canaux DMX	Affichage à l'Écran	Valeur Rouge	Valeur Vert	Valeur Bleu	Valeur Ambre	Valeur Menthe Vert
000 ⇔ 005	--	--	--	--	--	--
006 ⇔ 013	<b>C3050 - Md Yellow</b>	255	225	0	255	37
014 ⇔ 021	<b>C3040 - Lt Yellow</b>	255	177	3	255	37
022 ⇔ 028	<b>C3240 - Amb Yellow</b>	255	220	0	255	0
029 ⇔ 035	<b>C2340 - VLt Amber</b>	195	0	15	255	57
036 ⇔ 043	<b>C2040 - Lt Amber</b>	255	0	11	255	61
044 ⇔ 051	<b>C2050 - Md Amber</b>	255	53	0	255	17
052 ⇔ 059	<b>C2060 - Dk Amber</b>	255	8	0	255	17
060 ⇔ 067	<b>C1050 - Lt Red</b>	255	0	3	14	0
068 ⇔ 075	<b>C1080 - Md Red</b>	255	0	2	0	0
076 ⇔ 083	<b>C1020 - NC Pink</b>	255	75	62	255	73
084 ⇔ 091	<b>C1030 - Md Pink</b>	255	75	57	255	41
092 ⇔ 099	<b>C1630 - Dk Pink</b>	218	77	57	255	61
100 ⇔ 107	<b>C1250 - Md Red Amber</b>	255	0	9	168	0
108 ⇔ 115	<b>C1060 - Dk Red Amber</b>	255	5	9	36	0
116 ⇔ 121	<b>C1650 - Magenta</b>	255	3	62	255	12
122 ⇔ 130	<b>C6170 - Dk Magenta</b>	255	0	55	0	0
131 ⇔ 138	<b>C6020 - Lt Lavender</b>	255	220	93	255	44
139 ⇔ 146	<b>C5030 - Lt Blue</b>	0	255	159	112	78
147 ⇔ 154	<b>C5020 - VLt Blue</b>	0	215	145	196	65
155 ⇔ 162	<b>C5430 - Lt Blue2</b>	0	215	132	52	92
163 ⇔ 170	<b>C5070 - Blue</b>	0	195	188	0	19
171 ⇔ 178	<b>C5050 - Md Blue</b>	0	163	190	0	68
179 ⇔ 186	<b>C5060 - Dk Blue</b>	0	128	193	0	38
187 ⇔ 194	<b>C5690 - Indigo</b>	53	9	255	0	0
195 ⇔ 202	<b>C5080 - VDk Blue</b>	7	84	116	0	0
203 ⇔ 210	<b>C5081 - VDk Blue2</b>	11	82	139	0	0
211 ⇔ 218	<b>C4370 - Yel Green</b>	0	255	2	25	0
219 ⇔ 226	<b>C4070 - Green</b>	0	255	9	0	175
227 ⇔ 234	<b>C4550 - Turquoise</b>	0	255	87	96	255
235 ⇔ 242	<b>C4560 - Aqua</b>	0	255	98	44	255
243 ⇔ 250	<b>C4570 - Blue Green</b>	0	255	26	8	0
251 ⇔ 255	--	--	--	--	--	--



Remarque: Les couleurs ci-dessus sont des rendus simulés de couleurs produits sur base des couleurs émises par les appareils à incandescence. Chauvet ne peut garantir l'exactitude du rendu d'une couleur.



**Gamme des températures de couleur**

Température de couleur	Valeur Rouge	Valeur Vert	Valeur Bleu	Valeur Ambre	Valeur Menthe Vert
2800K	253	0	25	255	145
2900K	253	3	28	255	153
3000K	251	5	33	255	161
3100K	248	7	36	255	169
3200K	245	9	45	255	173
3300K	242	13	47	255	182
3400K	237	22	53	255	185
3500K	230	30	58	255	185
3600K	225	40	64	255	185
3700K	221	48	70	255	185
3800K	220	48	74	255	197
3900K	220	50	79	255	203
4000K	210	58	84	255	203
4100K	205	63	88	255	203
4200K	199	68	95	255	204
4300K	189	69	98	255	204
4400K	183	71	103	255	204
4500K	174	78	107	255	204
4600K	170	80	112	255	204
4700K	166	89	119	255	204
4800K	164	98	123	255	203
4900K	163	100	129	255	205
5000K	163	103	137	255	206
5100K	163	108	142	255	208
5200K	163	116	147	255	208
5300K	163	118	156	255	210
5400K	162	122	162	255	216
5500K	162	124	166	255	224
5600K	162	127	172	255	229
5700K	159	127	177	255	231
6000K	158	134	192	241	231
6500K	152	152	206	225	231
7000K	144	157	224	218	231
7500K	127	172	238	218	231
8000K	122	175	245	200	231



Remarque: Les températures de couleur ci-dessus sont des rendus simulés de la sortie de couleur effectivement générée par comparaison avec une lampe tungstène à la température de couleur spécifiée. Chauvet ne donne aucune garantie sur la précision de la sortie de couleur.

**Diagramme DMX de température de couleur**

Canal DMX	Température de couleur	Canal DMX	Température de couleur	Canal DMX	Température de couleur
000 ⇔ 005	Pas de fonction	084 ⇔ 090	3900–4000K	168 ⇔ 174	5100–5200K
006 ⇔ 013	2800–2900K	091 ⇔ 097	4000–4100K	175 ⇔ 181	5200–5300K
014 ⇔ 020	2900–3000K	098 ⇔ 104	4100–4200K	182 ⇔ 188	5300–5400K
021 ⇔ 027	3000–3100K	105 ⇔ 111	4200–4300K	189 ⇔ 195	5400–5500K
028 ⇔ 034	3100–3200K	112 ⇔ 118	4300–4400K	196 ⇔ 202	5500–5600K
035 ⇔ 041	3200–3300K	119 ⇔ 125	4400–4500K	203 ⇔ 209	5600–5700K
042 ⇔ 048	3300–3400K	126 ⇔ 132	4500–4600K	210 ⇔ 216	5700–6000K
049 ⇔ 055	3400–3500K	133 ⇔ 139	4600–4700K	217 ⇔ 223	6000–6500K
056 ⇔ 062	3500–3600K	140 ⇔ 146	4700–4800K	224 ⇔ 230	6500–7000K
063 ⇔ 069	3600–3700K	147 ⇔ 153	4800–4900K	231 ⇔ 237	7000–7500K
070 ⇔ 076	3700–3800K	154 ⇔ 160	4900–5000K	238 ⇔ 244	7500–8000K
077 ⇔ 083	3800–3900K	161 ⇔ 167	5000–5100K	245 ⇔ 255	8000K

## Description du Tableau de Commandes

Bouton	Fonction
<MENU>	Permet la sortie du menu ou de la fonction en cours
<ENTER>	Permet l'affichage du menu en cours ou permet de configurer la valeur en cours dans la fonction sélectionnée
<UP>	Permet de parcourir les listes ou les menus vers le haut, dans une fonction permet d'augmenter les valeurs numériques
<DOWN>	Permet de parcourir les listes ou les menus vers le bas, dans une fonction permet de diminuer les valeurs numériques
<FOCUS>	Met l'appareil en mode de mise au point, ce qui permet à l'appareil de fonctionner à pleine puissance pour une mise au point facile sans changer aucun autre réglage de l'appareil. Appuyez à nouveau pour sortir du mode de mise au point.

## Tableau de Menu

Reportez-vous à la page du produit Ovation Rêve E-3 sur [www.chauvetprofessional.com](http://www.chauvetprofessional.com) pour la dernière carte des menu.

Principal	Niveaux de Programmation		Description
<b>DMX Address</b>	<b>001–512*</b>		Permet de sélectionner l'adresse de démarrage (*le canal le plus élevé est restreint à la personnalité choisie)
<b>DMX Channel</b>	<b>1Ch</b>	<b>Virtual Color Wheel</b>	1 canal: gradateur
		<b>Color Temperature</b>	
		<b>Manual Color Mixer</b>	
	<b>5Ch</b>	5 canaux: gradateur, VCW, température de la couleur, hue, rotateur de gobo	
	<b>6Ch</b>	6 canaux: rouge, vert, bleu, ambre, menthe verte, rotateur de gobo	
	<b>8Ch</b>	8 canaux: RVBA, menthe verte, gradateur, stroboscope, rotateur de gobo	
	<b>12Ch</b>	12 canaux: gradateur 16 bits, RVBA, menthe verte, stroboscope, VCW, température de la couleur, hue, rotateur de gobo	
	<b>14Ch1</b>	14 canaux: gradateur, RVBA, menthe verte, stroboscope, VCW, température de couleur, programmes automatique, vitesse automatique, contrôle, rotateur de gobo	
	<b>14Ch2</b>	14 canaux: gradateur 16 bits, RVBAL 16 bits, stroboscope, rotateur de gobo	
<b>18Ch</b>	18 canaux: gradateur 16 bits, RVBAL 16 bits, stroboscope, VCW, température de la couleur, contrôle, hue, rotateur de gobo		
	<b>HSV</b>		4 canaux: hue, saturation, value, rotateur de gobo
<b>Virtual Color Wheel</b>	<b>Virtual Color Wheel</b> C3050 - Md Yellow C3040 - Lt Yellow C3240 - Amb Yellow C2340 - VLt Amber C2040 - Lt Amber C2050 - Md Amber C2060 - Dk Amber C1050 - Lt Red C1080 - Md Red C1020 - NC Pink C1030 - Md Pink C1630 - Dk Pink C1250 - Md Red Amber C1060 - Dk Red Amber C1650 - Magenta C6170 - Dk Magenta C6020 - Lt Lavender C5030 - Lt Blue C5020 - VLt Blue C5430 - Lt Blue 2 C5070 - Blue	<b>Dimmer 000–255</b>	Roue de Couleurs Virtuelles (VCW) simule le rendu des gélamines de couleur. Consultez la section <a href="#">Gamme de couleurs</a> pour en connaître les valeurs spécifiques.

Principal	Niveaux de Programmation		Description
Virtual Color Wheel	<b>Virtual Color Wheel</b> C5050 - Md Blue C5060 - Dk Blue C5690 - Indigo C5080 - VDk Blue C5081 - VDk Blue 2 C4370 - Yel Green C4070 - Green C4550 - Turquoise C4560 - Aqua C4570 - Blue Green		<b>Dimmer</b> <b>000–255</b> Roue de Couleurs Virtuelles (VCW) simule le rendu des gélamines de couleur. Consultez la section <a href="#">Gamme de couleurs</a> pour en connaître les valeurs spécifiques.
	<b>Color Temperature</b> 2800K 2900K 3000K 3100K 3200K 3300K 3400K 3500K 3600K 3700K 3800K 3900K 4000K 4100K 4200K 4300K 4400K 4500K 4600K 4700K 4800K 4900K 5000K 5100K 5200K 5300K 5400K 5500K 5600K 5700K 6000K 6500K 7000K 7500K 8000K	<b>Dimmer</b> <b>0–255</b>	Températures de couleur de blanc prédéfinies. Simule une lampe tungstène à la température de couleur spécifiée. Référez vous à la section <a href="#">Gamme des températures de couleur</a> pour les valeurs spécifiques
		<b>Hue</b> <b>-25–25</b>	
	<b>Manual Color Mixer</b>	Red Green Blue Amber Mint	<b>000–255</b> Combines les couleurs rouge, vert, bleu, ambre et menthe verte pour un résultat personnalisé (0–100%)
<b>Color X-Fade Speed</b>	<b>Off</b>		Désactive la transition en fondu entre les couleurs
	<b>X-Fade Speed 1</b>		Crée une transition en fondu entre les couleurs lors de l'utilisation de couleurs dans le Virtual Color Wheel ou le tableau de température de couleur, de rapide ( <b>X-Fade Speed 1</b> ) à lent ( <b>X-Fade Speed 4</b> )
	<b>X-Fade Speed 2</b>		
	<b>X-Fade Speed 3</b>		
<b>X-Fade Speed 4</b>			
<b>Auto Show</b>	<b>Auto 1–5</b>	<b>1–100</b>	Sélectionne les programmes automatiques et vitesse

Principal	Niveaux de Programmation		Description
Red Shift	On		Imite la gradation des lampes halogènes
	Off		
Gobo Rotator	000–255		Contrôle le rotateur de gobo
Master/ Slave	Master		Recevez le signal DMX du contrôleur DMX (maître)
	Slave		Recevoir le signal de l'unité maître (esclave)
Dimmer Curve	SCurve Linear Square Inverse Square		Définir la courbe de gradation
Dimmer Mode	Off		Gradateur linéaire
	Dimmer 1–3		Courbes de gradation rapide (Dimmer 1) à lent (Dimmer 3)
Color Calibration	User Calibration	Off	Désactive l'étalonnage des couleurs
		Red	Définit la valeur maximale de LED rouge
		Green	Définit la valeur maximale de LED vert
		Blue	Définit la valeur maximale de LED bleu
		Amber	Définit la valeur maximale de LED ambre
	Mint	Définit la valeur maximale de LED menthe verte	
Factory Calibration		125–255	Utilise le paramétrage de blanc définit en usine
LED Frequency	600Hz 1200Hz 2000Hz 4000Hz 6000Hz 25KHz		Permet de sélectionner la fréquence de sortie MLI
Fan Mode	Auto		Réglez le ventilateur en mode automatique
	On		Réglez le mode de ventilateur toujours
	Off		Règle le ventilateur sur toujours
	Silent		Règle le ventilateur sur silencieux
Back Light	10S		Désactive rétro-éclairage après 10 secondes
	30S		Désactive rétro-éclairage après 30 secondes
	2Min		Désactive rétro-éclairage après 2 minutes
	Always On		Affichage rétro-éclairage toujours active
Gobo Power	On		Permet d'activer ou désactiver la sortie d'alimentation du gobo
	Off		
Information	Fixture Hours	----_H	Affiche le nombre total des heures du produit
	LED Hours	----_H	Affiche le nombre total des heures du LED
	Version	V_._	Affiche la version du logiciel installée
	UID	-----	Affiche UID actuel
Update Firmware	Only This Unit	-----_CHL	Sélectionne un fichier de mise à jour pour ce produit, ou affiche «No such file!»
		...	
	Multiple Units	-----_CHL	Sélectionne un fichier de mise à jour pour ce produit et des produits Ovation Rêve E-3 connectés, ou affiche «No such file!»
		...	
Other Fixture Type	-----_CHL	Sélectionne un fichier de mise à jour pour les autres produits connectés, ou affiche «No such file!»	
	...		
Reset Factory	No		Permet de réinitialiser aux valeurs par défaut d'usine
	Yes		



**ATTENTION:** Lors du fonctionnement en mode ventilateur: Lorsque le ventilateur est à l'arrêt, l'appareil devient plus chaud au toucher que lors de l'utilisation des autres modes de ventilateur. Utilisez un équipement de protection approprié pour prévenir des brûlures. Tenir à l'écart de tout objet inflammable.



**REMARQUE:** Lors du fonctionnement en mode ventilateur: Lorsque le ventilateur est à l'arrêt, le rendement de l'appareil est réduit et ne peut pas atteindre les mêmes niveaux que lors de l'utilisation des autres modes de ventilateur.

**DMX Values**
**HSV**

Canal	Fonction	Valeur	Pourcentage/Configuration
1	Teint	000 ⇄ 255	0–100%
2	Saturation	000 ⇄ 255	0–100%
3	Valeur	000 ⇄ 255	0–100%
4	Rotateur de gobo	000 ⇄ 127 128 ⇄ 190 191 ⇄ 192 193 ⇄ 255	Indice Rotation horaire, rapide à lente Arrêtez Rotation antihoraire, lente à rapide

**18Ch**

Canal	Fonction	Valeur	Pourcentage/Configuration
1	Gradateur	000 ⇄ 255	0–100%
2	Gradateur fin	000 ⇄ 255	0–100%
3	Rouge	000 ⇄ 255	0–100%
4	Rouge fin	000 ⇄ 255	0–100%
5	Vert	000 ⇄ 255	0–100%
6	Vert fin	000 ⇄ 255	0–100%
7	Bleu	000 ⇄ 255	0–100%
8	Bleu fin	000 ⇄ 255	0–100%
9	Ambre	000 ⇄ 255	0–100%
10	Ambre fin	000 ⇄ 255	0–100%
11	Menthe verte	000 ⇄ 255	0–100%
12	Menthe verte fin	000 ⇄ 255	0–100%
13	Stroboscope	000 ⇄ 010 011 ⇄ 255	Pas de fonction Stroboscope, lent à rapide
14	Roue de couleurs virtuelle	000 ⇄ 255	Consultez la section <a href="#">Gamme de couleurs</a>
15	Température de couleur	000 ⇄ 255	Consultez la section <a href="#">Diagramme DMX de température de couleur</a>
16	Hue	000 ⇄ 000 001 ⇄ 255	0 -25–25
17	Contrôle (maintenez pendant 3 secondes)	000 ⇄ 007 008 ⇄ 015 016 ⇄ 023 024 ⇄ 031 032 ⇄ 039 040 ⇄ 047 048 ⇄ 055 056 ⇄ 063 064 ⇄ 071 072 ⇄ 079 080 ⇄ 087 088 ⇄ 095 096 ⇄ 103 104 ⇄ 111 112 ⇄ 119 120 ⇄ 127 128 ⇄ 135 136 ⇄ 143 144 ⇄ 151 152 ⇄ 159 160 ⇄ 167 168 ⇄ 255	Pas de fonction Réinitialisation du gradateur Décalage rouge activé Décalage rouge désactivé Courbe de gradateur S-courbe Courbe de gradateur linéaire Courbe de gradation carrée Courbe de gradation carrée inverse Arrêt du mode de vitesse d'assombrissement Mode 1 de vitesse d'assombrissement (rapide) Mode 2 de vitesse d'assombrissement Mode 3 de vitesse d'assombrissement (lente) Ventilateur automatique Ventilateur allumé Ventilateur éteint Ventilateur silencieux Vitesse du fondu en X désactive Vitesse du fondu en X 1 (le plus rapide) Vitesse du fondu en X 2 Vitesse du fondu en X 3 Vitesse du fondu en X 4 (le plus lent) Réservé pour une utilisation future
18	Rotateur de gobo	000 ⇄ 127 128 ⇄ 190 191 ⇄ 192 193 ⇄ 255	Indice Rotation horaire, rapide à lente Arrêtez Rotation antihoraire, lente à rapide

14Ch1

Canal	Fonction	Valeur	Pourcentage/Configuration
1	Gradateur	000 ⇔ 255	0–100%
2	Rouge	000 ⇔ 255	0–100%
3	Vert	000 ⇔ 255	0–100%
4	Bleu	000 ⇔ 255	0–100%
5	Ambre	000 ⇔ 255	0–100%
6	Menthe verte	000 ⇔ 255	0–100%
7	Stroboscope	000 ⇔ 010 011 ⇔ 255	Pas de fonction Stroboscope, lent à rapide
8	Roue de couleurs virtuelle	000 ⇔ 255	Consultez la section <a href="#">Gamme de couleurs</a>
9	Température de couleur	000 ⇔ 255	Consultez la section <a href="#">Diagramme DMX de température de couleur</a>
10	Hue	000 ⇔ 000 001 ⇔ 255	0 -25–25
11	Programmes automatiques	000 ⇔ 010 011 ⇔ 060 061 ⇔ 110 111 ⇔ 160 161 ⇔ 210 211 ⇔ 255	Pas de fonction Auto programmes 1 Auto programmes 2 Auto programmes 3 Auto programmes 4 Auto programmes 5
12	Vitesse du programme	000 ⇔ 255	Vitesse du programme, lent à rapide
13	Contrôle (maintenez pendant 3 secondes)	000 ⇔ 007 008 ⇔ 015 016 ⇔ 023 024 ⇔ 031 032 ⇔ 039 040 ⇔ 047 048 ⇔ 055 056 ⇔ 063 064 ⇔ 071 072 ⇔ 079 080 ⇔ 087 088 ⇔ 095 096 ⇔ 103 104 ⇔ 111 112 ⇔ 119 120 ⇔ 127 128 ⇔ 135 136 ⇔ 143 144 ⇔ 151 152 ⇔ 159 160 ⇔ 167 168 ⇔ 255	Pas de fonction Réinitialisation du gradateur Décalage rouge activé Décalage rouge désactivé Courbe de gradateur S-courbe Courbe de gradateur linéaire Courbe de gradation carrée Courbe de gradation carrée inverse Arrêt du mode de vitesse d'assombrissement Mode 1 de vitesse d'assombrissement (rapide) Mode 2 de vitesse d'assombrissement Mode 3 de vitesse d'assombrissement (lente) Ventilateur automatique Ventilateur allumé Ventilateur éteint Ventilateur silencieux Vitesse du fondu en X désactive Vitesse du fondu en X 1 (le plus rapide) Vitesse du fondu en X 2 Vitesse du fondu en X 3 Vitesse du fondu en X 4 (le plus lent) Réservé pour une utilisation future
14	Rotateur de gobo	000 ⇔ 127 128 ⇔ 190 191 ⇔ 192 193 ⇔ 255	Indice Rotation horaire, rapide à lente Arrêtez Rotation antihoraire, lente à rapide

**14Ch2**

Canal	Fonction	Valeur	Pourcentage/Configuration
1	Gradateur	000 ⇔ 255	0–100%
2	Gradateur fin	000 ⇔ 255	0–100%
3	Rouge	000 ⇔ 255	0–100%
4	Rouge fin	000 ⇔ 255	0–100%
5	Vert	000 ⇔ 255	0–100%
6	Vert fin	000 ⇔ 255	0–100%
7	Bleu	000 ⇔ 255	0–100%
8	Bleu fin	000 ⇔ 255	0–100%
9	Ambre	000 ⇔ 255	0–100%
10	Ambre fin	000 ⇔ 255	0–100%
11	Menthe verte	000 ⇔ 255	0–100%
12	Menthe verte fin	000 ⇔ 255	0–100%
13	Stroboscope	000 ⇔ 010 011 ⇔ 255	Pas de fonction Stroboscope, lent à rapide
14	Rotateur de gobo	000 ⇔ 127 128 ⇔ 190 191 ⇔ 192 193 ⇔ 255	Indice Rotation horaire, rapide à lente Arrêtez Rotation antihoraire, lente à rapide

**12Ch**

Canal	Fonction	Valeur	Pourcentage/Configuration
1	Gradateur	000 ⇔ 255	0–100%
2	Gradateur fin	000 ⇔ 255	0–100%
3	Rouge	000 ⇔ 255	0–100%
4	Vert	000 ⇔ 255	0–100%
5	Bleu	000 ⇔ 255	0–100%
6	Ambre	000 ⇔ 255	0–100%
7	Menthe verte	000 ⇔ 255	0–100%
8	Stroboscope	000 ⇔ 010 011 ⇔ 255	Pas de fonction Stroboscope, lent à rapide
9	Roue de couleurs virtuelle	000 ⇔ 255	Consultez la section <a href="#">Gamme de couleurs</a>
10	Température de couleur	000 ⇔ 255	Consultez la section <a href="#">Diagramme DMX de température de couleur</a>
11	Hue	000 ⇔ 000 001 ⇔ 255	0 -25–25
12	Rotateur de gobo	000 ⇔ 127 128 ⇔ 190 191 ⇔ 192 193 ⇔ 255	Indice Rotation horaire, rapide à lente Arrêtez Rotation antihoraire, lente à rapide

FR

8Ch

Canal	Fonction	Valeur	Pourcentage/Configuration
1	Gradateur	000 ⇔ 255	0–100%
2	Rouge	000 ⇔ 255	0–100%
3	Vert	000 ⇔ 255	0–100%
4	Bleu	000 ⇔ 255	0–100%
5	Ambre	000 ⇔ 255	0–100%
6	Lime	000 ⇔ 255	0–100%
7	Stroboscope	000 ⇔ 010 011 ⇔ 255	Pas de fonction Stroboscope, lent à rapide
8	Rotateur de gobo	000 ⇔ 127 128 ⇔ 190 191 ⇔ 192 193 ⇔ 255	Indice Rotation horaire, rapide à lente Arrêtez Rotation antihoraire, lente à rapide

6Ch

Canal	Fonction	Valeur	Pourcentage/Configuration
1	Rouge	000 ⇔ 255	0–100%
2	Vert	000 ⇔ 255	0–100%
3	Bleu	000 ⇔ 255	0–100%
4	Ambre	000 ⇔ 255	0–100%
5	Menthe verte	000 ⇔ 255	0–100%
6	Rotateur de gobo	000 ⇔ 127 128 ⇔ 190 191 ⇔ 192 193 ⇔ 255	Indice Rotation horaire, rapide à lente Arrêtez Rotation antihoraire, lente à rapide

5Ch

Canal	Fonction	Valeur	Pourcentage/Configuration
1	Gradateur	000 ⇔ 255	0–100%
2	Roue de couleurs virtuelle	000 ⇔ 255	Consultez la section <a href="#">Gamme de couleurs</a>
3	Température de couleur	000 ⇔ 255	Consultez la section <a href="#">Diagramme DMX de température de couleur</a>
4	Hue	000 ⇔ 000 001 ⇔ 255	0 -25–25
5	Rotateur de gobo	000 ⇔ 127 128 ⇔ 190 191 ⇔ 192 193 ⇔ 255	Indice Rotation horaire, rapide à lente Arrêtez Rotation antihoraire, lente à rapide

1Ch

Canal	Fonction	Valeur	Pourcentage/Configuration
1	Gradateur	000 ⇔ 255	0–100%



## Über diese Schnellanleitung

In der Schnellanleitung des Ovation Révé E-3 finden Sie die wesentlichen Produktinformationen, wie etwa über den Anschluss, die Montage, Menüoptionen und DMX-Werte des Geräts. Laden Sie für weiterführende Informationen unter [www.chauvetprofessional.com](http://www.chauvetprofessional.com) das Benutzerhandbuch herunter.

## Haftungsausschluss

Die in dieser Anleitung aufgeführten Informationen und Spezifikationen können ohne vorherige Ankündigung geändert werden.

## EINGESCHRÄNKTE GARANTIE

**ZUR REGISTRIERUNG FÜR GARANTIEANSPRÜCHE UND ZUR EINSICHT IN DIE VOLLSTÄNDIGEN GESCHÄFTSBEDINGUNGEN BESUCHEN SIE BITTE UNSERE WEBSITE.**

Für Kunden in den USA und in Mexiko: [www.chauvetlighting.com/warranty-registration](http://www.chauvetlighting.com/warranty-registration).

Für Kunden im Vereinigten Königreich, in Irland, Belgien, den Niederlanden, Luxemburg, Frankreich und Deutschland: [www.chauvetlighting.eu/warranty-registration/](http://www.chauvetlighting.eu/warranty-registration/).

Chauvet garantiert für die in der auf unserer Website veröffentlichten vollständigen eingeschränkten Garantie genannten Dauer und unter Vorbehalt der darin genannten Haftungsausschlüsse und -beschränkungen, dass dieses Produkt bei normaler Gebrauch frei von Material- und Verarbeitungsfehlern ist. Diese Garantie erstreckt sich nur auf den Erstkäufer des Produkts und ist nicht übertragbar. Zur Ausübung der unter dieser Garantie gewährten Rechte ist der Kaufbeleg in Form der Originalrechnung von einem autorisierten Händler vorzulegen, in der die Produktbezeichnung und das Kaufdatum vermerkt sein müssen. **ES BESTEHEN KEINE WEITEREN AUSDRÜCKLICHEN ODER STILLSCHWEIGENDEN GARANTIEN.** Diese Garantie gibt Ihnen besondere gesetzliche Rechte. Und Sie haben möglicherweise weitere Rechte, die von Land zu Land unterschiedlich sein können. Diese Garantie ist nur in den USA, im Vereinigten Königreich, in Irland, Belgien, den Niederlanden, Luxemburg, Frankreich, Deutschland und Mexiko gültig. Bezüglich der Garantiebestimmungen in anderen Ländern wenden Sie sich bitte an Ihren lokalen Händler.

## Sicherheitshinweise

- Die Leuchte sollte so positioniert werden, dass ein langes starres Schauen in die Leuchte in einem Abstand von weniger als 3,0 m nicht zu erwarten ist.
- Ist das externe flexible Kabel dieser Leuchte beschädigt, muss es durch ein gleichwertiges Kabel oder ein ausschließlich vom Hersteller oder dessen Vertriebspartner erhältliches Kabel ersetzt werden.
- Das in dieser Leuchte enthaltene Leuchtmittel darf nur vom Hersteller oder dessen Vertriebspartner oder einer ähnlich qualifizierten Person ausgetauscht werden.
- Die Leuchte ist ausschließlich für den professionellen Einsatz bestimmt.
- Dieses Gerät NICHT öffnen. Die eingebauten Komponenten sind für den Kunden wartungsfrei.
- NIEMALS in die Lichtquelle schauen, während das Gerät eingeschaltet ist.
- Dieses Gerät darf NICHT in Wasser eingetaucht werden (IP20). Eine regelmäßige Verwendung dieses Geräts im Freien ist möglich.
- Belassen Sie KEINE entflammaren Materialien in einem Umkreis von 50 cm dieses Geräts, während es in Betrieb oder an der Stromversorgung angeschlossen ist.
- NIEMALS das Gerät in Betrieb nehmen, wenn Ihnen das Gehäuse, die Linsen oder das Kabel beschädigt erscheinen.
- Schließen Sie dieses Gerät NICHT an einen Dimmer oder Regelwiderstand an.
- VORSICHT: Das Gehäuse dieses Produkts kann während des Betriebs heiß werden.
- VORSICHT: Beim Transport des Geräts von einer Umgebung mit außergewöhnlichen Temperaturen in eine andere solche Umgebung (z. B. aus einem kalten Transporter in einen warm-feuchten Ballsaal) kann an der im Gerät enthaltenen Elektronik Wasser kondensieren. Um einen Defekt zu vermeiden, muss sich das Gerät erst in der neuen Umgebung akklimatisiert haben, bevor es an die Stromversorgung angeschlossen werden kann.
- VERWENDEN Sie bei Montage über Kopf immer ein Sicherheitsseil.
- Schließen Sie dieses Produkt NUR an einen mit der Erde verbundenen und geschützten Stromkreis an.
- Das Gerät NUR an den Hänge-/Befestigungsbügeln oder Griffen tragen.
- Installieren Sie das Gerät an einem Ort mit ausreichender Belüftung und mit einem Abstand von mindestens 50 cm zu den angrenzenden Flächen.
- Um unnötigen Verschleiß zu vermeiden und die Lebensdauer des Geräts zu verlängern, trennen Sie während längerer Perioden des Nichtgebrauchs das Gerät vom Stromnetz – entweder per Trennschalter oder durch Herausziehen des Steckers aus der Steckdose.
- Bei ernsthaften Betriebsproblemen stoppen Sie umgehend die Verwendung des Geräts.
- Die maximal zulässige Umgebungstemperatur beträgt 45 °C. Nehmen Sie das Gerät nicht bei höheren Temperaturen in Betrieb.

## FCC-Konformität

Dieses Gerät erfüllt Teil 15, Teil B, der FCC-Bestimmungen. Der Betrieb ist an folgende zwei Bedingungen geknüpft:

1. Dieses Gerät darf keine schädlichen Interferenzen verursachen, und
2. Dieses Gerät muss empfangende Interferenzen aufnehmen können, auch Interferenzen, die eventuell einen unerwünschten Betrieb verursachen.

Jegliche Änderungen oder Modifikationen, die nicht ausdrücklich von der Partei genehmigt wurden, die für die Compliance zuständig ist, könnten die Berechtigung des Benutzers zum Betrieb dieses Geräts aufheben.

## Kontakt

Kunden außerhalb der USA, GB, Irland, Mexiko, Frankreichs, Deutschlands oder der Benelux-Staaten wenden sich an ihren Lieferanten, um den Kundensupport in Anspruch zu nehmen oder ein Produkt zurückzuschicken.

Kontaktinformationen finden Sie unter [Contact Us](#) am Ende dieser Schnellanleitung.

## Packungsinhalt

- Ovation Rêve E-3
- Weichzeichnungsfilter
- Schnellanleitung
- Netzkabel Seetronic Powerkon
- Ovation Metall Gobo Halter

## Wechselstrom

Dieses Gerät verfügt über ein Vorschaltgerät, das automatisch die anliegende Spannung erkennt, sobald der Netzstecker in die Schukosteckdose gesteckt wird, und kann mit einer Eingangsspannung von 100~240 V AC, 50/60 Hz arbeiten.

## Serienschaltung der Geräte

Sie können bis zu 3 Ovation Rêve E-3 Geräte bei 100 V AC, 4 bei 120 V AC, 7 Geräte bei 208 V AC, 8 Geräte bei 230 V AC, und 8 Geräte bei 240 V AC in Serie schalten. Diese Anzahl niemals überschreiten! Stromkabel für die Serienschaltung können separat erworben werden.

## Wechselstromstecker

Anschluss	Draht (USA)	Draht (Europa)	Schraubenfarbe
Stromführender AC-Leiter	Schwarz	Braun	Gelb/Messingfarben
AC-Neutralleiter	Weiß	Blau	Silber
AC-Erdungsleiter	Grün/Gelb	Grün/Gelb	Grün



**Um Verschleiß zu vermeiden und die Lebensdauer des Geräts zu verlängern, trennen Sie während längerer Perioden des Nichtgebrauchs das Gerät vom Stromnetz – entweder per Trennschalter oder durch Herausziehen des Steckers aus der Steckdose.**

## Auswechseln der Sicherung

1. Trennen Sie das Gerät vom Stromnetz.
2. Mit einem Flachkopfschraubendreher lösen Sie die Abdeckung des Sicherungshalters vom Gehäuse.
3. Entfernen Sie die durchgebrannte Sicherung, und ersetzen Sie diese durch eine Sicherung des gleichen Typs und mit den gleichen Werten.
4. Schrauben Sie die Abdeckung der Sicherung wieder ein, und schließen Sie das Gerät wieder an das Stromnetz an.

## DMX-Verbindung

De Ovation Rêve E-3 kann mit einem DMX-Controller betrieben werden, wenn eine 3- und 5-polige DMX-Datenverbindung zum Einsatz kommt. Sie können sich eine Einführung in DMX unter [www.chauvetprofessional.com](http://www.chauvetprofessional.com) herunterladen.

## DMX-Anschluss

Der Ovation Rêve E-3 nutzt zur Steuerung seiner DMX-Eigenschaften eine eine 3- und 5-polige DMX-Datenverbindung: **1Ch, 5Ch, 6Ch, 8Ch, 12Ch, 14Ch1, 14Ch2, 18Ch** und **HSV**. Informationen zum Anschließen und Konfigurieren des Geräts für einen DMX-Betrieb finden Sie in der Bedienungsanleitung.

## Master/Slave-Schaltung

Der Ovation Rêve E-3 verwendet für seinen Master/Slave-Modus eine DMX-Datenverbindung. Informationen zum Anschließen und Konfigurieren des Geräts für einen Master/Slave-Betrieb finden Sie in der Bedienungsanleitung.

## RDM (Remote Device Management)

Remote Device Management bzw. RDM ist ein Standard, mit dem DMX-aktivierte Geräte bidirektional entlang bestehender DMX-Kabel kommunizieren können. Der Ovation Rêve E-3 unterstützt das RDM-Protokoll, über das Feedback zur Überwachung der Änderungen der Menüoptionen gegeben wird. Laden Sie für weiterführende Informationen unter [www.chauvetprofessional.com](http://www.chauvetprofessional.com) das Benutzerhandbuch herunter.

## Software via USB

Das Gerät Ovation Rêve E-3 ermöglicht ein Softwareupdate über USB unter Verwendung des integrierten USB-Anschlusses. Zur Aktualisierung der Software mit einem USB-Stick gehen Sie wie folgt vor:

1. Schalten Sie das Gerät an und stecken Sie den Stick in den USB-Anschluss.
2. Sobald der Stick erkannt worden ist, erscheint die Meldung "Upgrade Firmware" (Firmware aktualisieren). Betätigen Sie <ENTER>.
  - Wird eine andere Meldung angezeigt, suchen Sie im Menü ("**Update Firmware**") nach der aktualisierten Software und aus **Only This Unit**, **Multiple Units** oder **Other Fixture Type** auswählen. Es wird eine Liste der aktualisierten Software angezeigt.
3. Wählen Sie die hochzuladende Datei aus. Es wird die Meldung "Are you sure" (Sind Sie sicher?) angezeigt. Betätigen Sie <ENTER>.
4. Ist die ausgewählte Datei korrekt, wird das Upgrade abgeschlossen. Starten Sie das Gerät neu.
  - Ist die ausgewählte Datei falsch, wird das Upgrade nicht ausgeführt und es wird wieder das Hauptmenü angezeigt. Wiederholen Sie die Schritte 1 bis 3 mit der korrekten Datei.



Das Dateiformat .chl muss im Ordner „OVATION“ auf dem USB-Stick abgelegt werden.



Die Option "Other Fixture Type" kann nur für verbundene Produkte ausgewählt werden, die mit dem Upload 03 kompatibel sind (die ersten 2 Ziffern des Artikelcodes müssen 03 sein).

## Linienröhren

Folgende Linienröhren sind erhältlich:

- 19°, 26°, 36° und 50° mit Gel-Rahmen (Zubehör für 6.25"/159 mm)
- 5° Zoom-Gel-Rahmen (14"/356 mm)
- 10° Zoom-Gel-Rahmen (12"/304 mm)
- 14°, 15–30° und 25°–50° Zoom-Gel-Rahmen (Zubehör für 7.5"/191 mm)

## Soft-Focus-Filter

Der Ovation Rêve E-3 wird mit einem Soft-Focus-Filter geliefert. Um den Weichzeichnerfilter in gutem Zustand zu halten:

- Vergewissern Sie sich, dass sich auf dem Filter keine Fingerabdrücke befinden, da dieser sich sonst ungleichmäßig aufheizen und verformen kann.
- Achten Sie beim Einlegen des Filters in die Halterung auf die auf dem Filter aufgedruckte Ausrichtung.
- Denken Sie beim Einlegen der Verschlusslamellen in den Lichtpfad daran, dass die Wärme zum Filter zurück reflektiert wird. Je tiefer die Lamellen eingelegt sind und je länger das Gerät läuft, desto mehr Wärme wird auf den Filter reflektiert, wodurch dieser sich verformen und möglicherweise an den Verschlusslamellen festkleben kann.

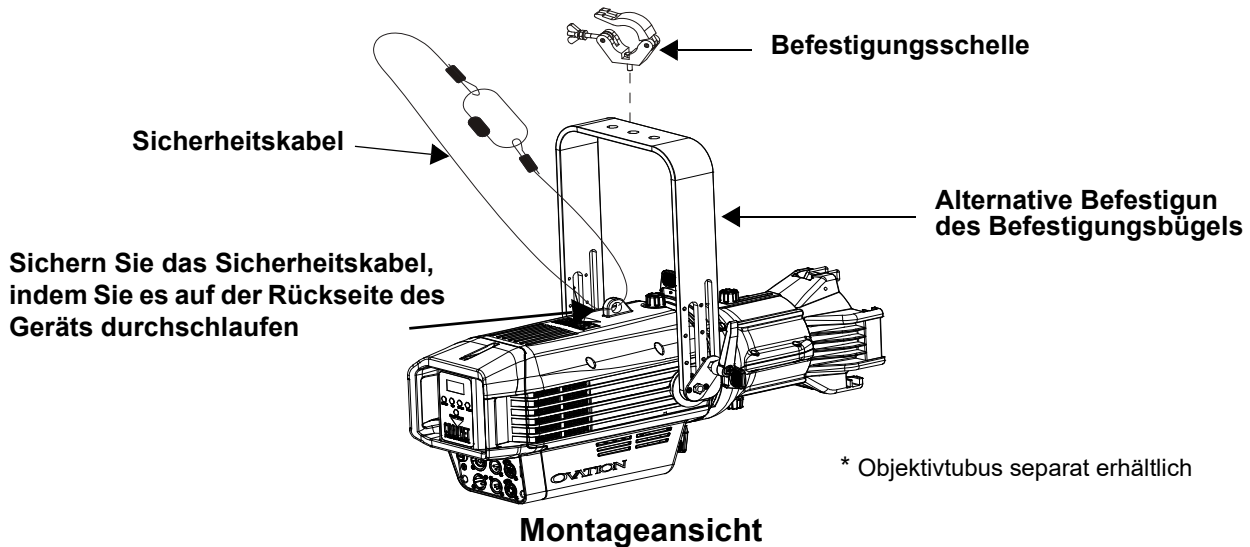


Ist auf dem Weichzeichner-Filter eine Schutzfolie, dann muss diese vor dem Gebrauch entfernt werden. Der Filter befindet sich in einer Halterung im Metall-Gobo-Schlitz.

## Montage

Lesen Sie vor der Montage dieses Geräts die [Sicherheitshinweise](#). Mindestens einen Befestigungspunkt pro Gerät verwenden. Stellen Sie sicher, dass die Befestigungsklemmen dafür ausgelegt sind, das Produktgewicht tragen zu können. Informationen zu unserer CHAUVET-Produktlinie für Befestigungsklemmen finden Sie unter <http://trusst.com/productcategory/truss-clamps/>.

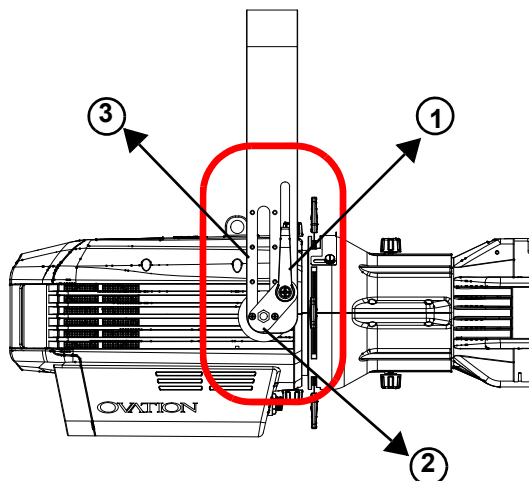
### Ansicht Gerätemontage



## Verstellbarer Befestigungsbügel

Der Ovation Rêve E-3 ist mit einem verstellbaren Befestigungsbügel zur Montage in Bereichen mit niedriger Deckenhöhe ausgestattet. Zum Ändern der Höhe des Befestigungsbügels gehen Sie wie folgt vor:

1. Lösen Sie die Bügeleinstellknöpfe an beiden Seiten des Geräts.
2. Entfernen Sie an jeder Seite die zwei Schrauben und lösen Sie den Bolzen, mit dem die Platte am Befestigungsbügel befestigt ist.
3. Stellen Sie unter Verwendung der Schraubenlöcher als Anhaltspunkt die Position des Befestigungsbügels ein, um die gewünschte Höhe des Befestigungsbügels zu erhalten.
4. Schrauben Sie die Schrauben wieder ein und ziehen Sie die Bolzen und die Bügeleinstellknöpfe an.



**Virtuelles Farbrad**

Der Ovation Rêve E-3 verfügt über eine Funktion mit der Bezeichnung Virtuelles Farbrad ( Virtual Color Wheel, VCW). Diese Funktion steht als Stand-alone-Steuerungsmodus für die manuelle Bedienung sowie als Steuerungskanal bei ausgewählten DMX-Eigenschaften zur Verfügung. Es sind mehr als 30 von unseren Technikern vorgemischte Farben verfügbar, um die Programmierung einfacher zu gestalten. Die zum Mischen dieser Farben verwendeten DMX-Werte sind nachstehend angegeben. Sie können die Gesamtintensität des Ovation anpassen, um die Farben, mit denen Sie vertraut sind, besser nachzubilden. Auf unserer Website [www.chauvetprofessional.com](http://www.chauvetprofessional.com) finden Sie eine Tabelle, mit deren Hilfe Sie unsere vorgemischten Farben mit beliebigen Gel-Farben vergleichen können. Diese Tabelle dient einzig Vergleichszwecken und ist keine Gewähr dafür, dass unsere vorgemischten Farben mit einer der aufgeführten Gel-Farben übereinstimmen.

**Tabelle: Virtuelles Farbrad**

DMX-Wert	Anzeige auf Display	Roter	Grüner	Blauer	Bernsteinfarbener	Minzgrüner
000 ⇔ 005	--	--	--	--	--	--
006 ⇔ 013	<b>C3050 - Md Yellow</b>	255	225	0	255	37
014 ⇔ 021	<b>C3040 - Lt Yellow</b>	255	177	3	255	37
022 ⇔ 028	<b>C3240 - Amb Yellow</b>	255	220	0	255	0
029 ⇔ 035	<b>C2340 - V Lt Amber</b>	195	0	15	255	57
036 ⇔ 043	<b>C2040 - Lt Amber</b>	255	0	11	255	61
044 ⇔ 051	<b>C2050 - Md Amber</b>	255	53	0	255	17
052 ⇔ 059	<b>C2060 - Dk Amber</b>	255	8	0	255	17
060 ⇔ 067	<b>C1050 - Lt Red</b>	255	0	3	14	0
068 ⇔ 075	<b>C1080 - Md Red</b>	255	0	2	0	0
076 ⇔ 083	<b>C1020 - NC Pink</b>	255	75	62	255	73
084 ⇔ 091	<b>C1030 - Md Pink</b>	255	75	57	255	41
092 ⇔ 099	<b>C1630 - Dk Pink</b>	218	77	57	255	61
100 ⇔ 107	<b>C1250 - Md Red Amber</b>	255	0	9	168	0
108 ⇔ 115	<b>C1060 - Dk Red Amber</b>	255	5	9	36	0
116 ⇔ 121	<b>C1650 - Magenta</b>	255	3	62	255	12
122 ⇔ 130	<b>C6170 - Dk Magenta</b>	255	0	55	0	0
131 ⇔ 138	<b>C6020 - Lt Lavender</b>	255	220	93	255	44
139 ⇔ 146	<b>C5030 - Lt Blue</b>	0	255	159	112	78
147 ⇔ 154	<b>C5020 - V Lt Blue</b>	0	215	145	196	65
155 ⇔ 162	<b>C5430 - Lt Blue2</b>	0	215	132	52	92
163 ⇔ 170	<b>C5070 - Blue</b>	0	195	188	0	19
171 ⇔ 178	<b>C5050 - Md Blue</b>	0	163	190	0	68
179 ⇔ 186	<b>C5060 - Dk Blue</b>	0	128	193	0	38
187 ⇔ 194	<b>C5690 - Indigo</b>	53	9	255	0	0
195 ⇔ 202	<b>C5080 - V Dk Blue</b>	7	84	116	0	0
203 ⇔ 210	<b>C5081 - V Dk Blue2</b>	11	82	139	0	0
211 ⇔ 218	<b>C4370 - Yel Green</b>	0	255	2	25	0
219 ⇔ 226	<b>C4070 - Green</b>	0	255	9	0	175
227 ⇔ 234	<b>C4550 - Turquoise</b>	0	255	87	96	255
235 ⇔ 242	<b>C4560 - Aqua</b>	0	255	98	44	255
243 ⇔ 250	<b>C4570 - Blue Green</b>	0	255	26	8	0
251 ⇔ 255	--	--	--	--	--	--



**Hinweis:** Die oben genannten Farben sind simulierte Ähnlichkeiten der Farbausgabe im Vergleich zu anderen, ähnlich weißglühenden Produkten. Chauvet gibt keine Gewährleistung bezüglich der Genauigkeit der Farbausgabe.

Farbtemperatur-Tabelle

Farbtemperatur	Roter	Grüner	Blauer	Bernstein-farbener	Minzgrüner
2800K	253	0	25	255	145
2900K	253	3	28	255	153
3000K	251	5	33	255	161
3100K	248	7	36	255	169
3200K	245	9	45	255	173
3300K	242	13	47	255	182
3400K	237	22	53	255	185
3500K	230	30	58	255	185
3600K	225	40	64	255	185
3700K	221	48	70	255	185
3800K	220	48	74	255	197
3900K	220	50	79	255	203
4000K	210	58	84	255	203
4100K	205	63	88	255	203
4200K	199	68	95	255	204
4300K	189	69	98	255	204
4400K	183	71	103	255	204
4500K	174	78	107	255	204
4600K	170	80	112	255	204
4700K	166	89	119	255	204
4800K	164	98	123	255	203
4900K	163	100	129	255	205
5000K	163	103	137	255	206
5100K	163	108	142	255	208
5200K	163	116	147	255	208
5300K	163	118	156	255	210
5400K	162	122	162	255	216
5500K	162	124	166	255	224
5600K	162	127	172	255	229
5700K	159	127	177	255	231
6000K	158	134	192	241	231
6500K	152	152	206	225	231
7000K	144	157	224	218	231
7500K	127	172	238	218	231
8000K	122	175	245	200	231



Hinweis: Die oben genannten Farbtemperaturen sind simulierte Ähnlichkeiten der Farbausgabe im Vergleich zu einer Wolframlampe mit spezifizierter Farbtemperatur. Chauvet gibt keine Gewährleistung bezüglich der Genauigkeit der Farbausgabe.

Farbtemperatur DMX-Kanalwert

DMX-Kanalwert	Farbtemperatur	DMX-Kanalwert	Farbtemperatur	DMX-Kanalwert	Farbtemperatur
000 ⇔ 005	Keine Funktion	084 ⇔ 090	3900–4000K	168 ⇔ 174	5100–5200K
006 ⇔ 013	2800–2900K	091 ⇔ 097	4000–4100K	175 ⇔ 181	5200–5300K
014 ⇔ 020	2900–3000K	098 ⇔ 104	4100–4200K	182 ⇔ 188	5300–5400K
021 ⇔ 027	3000–3100K	105 ⇔ 111	4200–4300K	189 ⇔ 195	5400–5500K
028 ⇔ 034	3100–3200K	112 ⇔ 118	4300–4400K	196 ⇔ 202	5500–5600K
035 ⇔ 041	3200–3300K	119 ⇔ 125	4400–4500K	203 ⇔ 209	5600–5700K
042 ⇔ 048	3300–3400K	126 ⇔ 132	4500–4600K	210 ⇔ 216	5700–6000K
049 ⇔ 055	3400–3500K	133 ⇔ 139	4600–4700K	217 ⇔ 223	6000–6500K
056 ⇔ 062	3500–3600K	140 ⇔ 146	4700–4800K	224 ⇔ 230	6500–7000K
063 ⇔ 069	3600–3700K	147 ⇔ 153	4800–4900K	231 ⇔ 237	7000–7500K
070 ⇔ 076	3700–3800K	154 ⇔ 160	4900–5000K	238 ⇔ 244	7500–8000K
077 ⇔ 083	3800–3900K	161 ⇔ 167	5000–5100K	245 ⇔ 255	8000K

### Descripción del Panel de Control

Taste	Funktion
<MENU>	Damit verlassen Sie das aktuelle Menü oder die Funktion.
<ENTER>	Damit wird das aktuell angezeigte Menü aktiviert oder der aktuell ausgewählte Wert einer Funktion eingestellt
<UP>	Damit navigieren Sie sich durch die Menüpunkte nach oben und erhöhen den numerischen Wert der entsprechenden Funktion.
<DOWN>	Damit navigieren Sie sich durch die Menüpunkte nach unten und verringern den numerischen Wert der entsprechenden Funktion.
<FOCUS>	Damit wird das Gerät in de Fokus-Modus gesetzt, wodurch die volle Leistung für einfaches Fokussieren abgerufen wird, ohne dass andere Geräteeinstellungen geändert werden müssen. Drücken Sie erneut drauf, um den Fokus-Modus zu verlassen.

### Menüstruktur

Die neueste Menükarte finden Sie auf der Ovation Rêve E-3--produktseite unter [www.chauvetprofessional.com](http://www.chauvetprofessional.com).

Hauptebene	Programmirebenen	Beschreibung				
<b>DMX Address</b>	<b>001–512*</b>	Wählt die DMX-Adresse aus (*der höchste Kanal ist auf die gewählte Eigenschaft beschränkt)				
<b>DMX Channel</b>	<b>1Ch</b>	<table border="1"> <tr> <td><b>Virtual Color Wheel</b></td> <td rowspan="3">1 Kanal: Dimmer</td> </tr> <tr> <td><b>Color Temperature</b></td> </tr> <tr> <td><b>Manual Color Mixer</b></td> </tr> </table>	<b>Virtual Color Wheel</b>	1 Kanal: Dimmer	<b>Color Temperature</b>	<b>Manual Color Mixer</b>
	<b>Virtual Color Wheel</b>	1 Kanal: Dimmer				
	<b>Color Temperature</b>					
	<b>Manual Color Mixer</b>					
	<b>5Ch</b>	5 Kanal: Dimmer, Virtuelles Farbrad, Farbtemperatur, Farbton, Goborotator				
	<b>6Ch</b>	6 Kanal: RGBA, minzgrün, Goborotator				
	<b>8Ch</b>	8 Kanal: Dimmer, RGBA, minzgrün, Stroboskopeffekt, Goborotator				
	<b>12Ch</b>	12 Kanal: 16-bit Dimmer, RGBA, minzgrün, Stroboskopeffekt, Virtuelles Farbrad, Farbtemperatur, Farbton, Goborotator				
	<b>14Ch1</b>	14 Kanal: Dimmer, RGBA, minzgrün, Stroboskopeffekt, Virtuelles Farbrad, Farbtemperatur, Auto-programm, Auto-Geschwindigkeit, Kontrolle, Farbton, Goborotator				
<b>14Ch2</b>	14 Kanal: 16-bit Dimmer und RGBA, minzgrün Stroboskopeffekt, Goborotator					
<b>18Ch</b>	18 Kanal: 16-bit Dimmer und RGBA, minzgrün, Stroboskopeffekt, Virtuelles Farbrad, Farbtemperatur, Kontrolle, Farbton, Goborotator					
<b>HSV</b>	4 Kanal: Farbton, Farbsättigung, Farbwert, Goborotator					

Hauptebene	Programmirebenen		Beschreibung
Virtual Color Wheel	Virtual Color Wheel	C3050 - Md Yellow	Dimmer 000–255
		C3040 - Lt Yellow	
		C3240 - Amb Yellow	
		C2340 - VLt Amber	
		C2040 - Lt Amber	
		C2050 - Md Amber	
		C2060 - Dk Amber	
		C1050 - Lt Red	
		C1080 - Md Red	
		C1020 - NC Pink	
		C1030 - Md Pink	
		C1630 - Dk Pink	
		C1250 - Md Red Amber	
		C1060 - Dk Red Amber	
		C1650 - Magenta	
		C6170 - Dk Magenta	
		C6020 - Lt Lavender	
		C5030 - Lt Blue	
		C5020 - VLt Blue	
		C5430 - Lt Blue 2	
		C5070 - Blue	
		C5050 - Md Blue	
		C5060 - Dk Blue	
		C5690 - Indigo	
		C5080 - VDk Blue	
		C5081 - VDk Blue 2	
		C4370 - Yel Green	
C4070 - Green			
C4550 - Turquoise			
C4560 - Aqua			
C4570 - Blue Green			
			Das Virtuelle Farbrad simuliert die Ausgabe jeder Gel-Farbe. Für spezifische Werte, siehe den Abschnitt <a href="#">Tabelle: Virtuelles Farbrad</a> .



Hauptebene	Programmirebenen			Beschreibung
Color Temperature	2800K 2900K 3000K 3100K 3200K 3300K 3400K 3500K 3600K 3700K 3800K 3900K 4000K 4100K 4200K	Dimmer	0–255	Voreinstellung der weißen Farbtemperaturen. Bildet eine Wolframlampe mit der spezifizierten Farbtemperatur ab. Für spezifische Werte, siehe den Abschnitt <a href="#">Farbtemperatur-Tabelle</a> .
	4300K 4400K 4500K 4600K 4700K 4800K 4900K 5000K 5100K 5200K 5300K 5400K 5500K 5600K 5700K 6000K 6500K 7000K 7500K 8000K			
Manual Color Mixer	Red Green Blue Amber Mint		000–255	Kombiniert rote, grün, blaue, bernsteinfarbene und minzgrün Farben zu einer benutzerdefinierten Farbe (0–100%)
Color X-Fade Speed	Off			Schaltet die Überblendung zwischen Farben aus
	X-Fade Speed 1			Erzeugt Überblendungen zwischen Farben bei Verwendung von Farben im virtuellen Farbrad oder in der Farbtemperaturtabelle, von schnell ( <b>X-Fade Speed 1</b> ) bis langsam ( <b>X-Fade Speed 4</b> )
	X-Fade Speed 2			
	X-Fade Speed 3			
X-Fade Speed 4				
Auto Show	Auto 1–5		1–100	Wähl das Auto-Programm und die Geschwindigkeit aus
Red Shift	On			Ahmt die Dimmung einer Halogenlampe nach
	Off			
Gobo Rotator	000–255			Steuert den Gaborotator

Hauptebene	Programmirebenen		Beschreibung	
Master/ Slave	Master		Empfängt DMX-Signal vom DMX-Controller (Master)	
	Slave		Empfängt das DMX-Signal vom Master-Gerät	
Dimmer Curve	SCurve Linear Square Inverse Square		Stellt die Dimmungskurve ein	
Dimmer Mode	Off		Linearer Dimmer	
	Dimmer 1–3		Dimmkurven von schnell (1) bis langsam (3)	
Color Calibration	Off		Deaktiviert die Farbkalibrierung	
	User Calibration	Red	125–255	Stellt den maximalen Wert der Roten LED ein
		Green		Stellt den maximalen Wert der Grün LED ein
		Blue		Stellt den maximalen Wert der Blau LED ein
		Amber		Stellt den maximalen Wert der Bernsteinfarbenen LED ein
		Mint		Stellt den maximalen Wert der Minzgrün LED ein
Factory Calibration		Verwendet die werksseitig Standardeinstellung "Weiß"		
LED Frequency	600Hz 1200Hz 2000Hz 4000Hz 6000Hz 25KHz		Stellt die PWM-Frequenz ein	
Fan Mode	Auto		Stellt den Lüfter auf den Auto-Modus ein	
	On		Stellt den Lüfter auf den "immer eingeschaltet"-Modus ein	
	Off		Setzt den Lüfter auf immer aus	
	Silent		Stellt den Lüfter auf lautlos	
Back Light	10S		Die Hintergrundbeleuchtung nach 10 Sek. ausgeschaltet	
	30S		Die Hintergrundbeleuchtung nach 30 Sek. ausgeschaltet	
	2Min		Die Hintergrundbeleuchtung nach 2 Minuten ausgeschaltet	
	Always On		Hintergrundbeleuchtung immer an	
Gobo Power	On		Damit aktivieren oder deaktivieren Sie den Gobo-Leistungsausgang	
	Off			
Information	Fixture Hours	___ _ _ _ H	Zeigt an, wie lange das Gerät eingeschaltet gewesen ist	
	LED Hours	___ _ _ _ H	Zeigt an, wie lange das LED eingeschaltet gewesen ist	
	Version	V _ _	Zeigt die aktuelle Firmware-Version an	
	UID	___ _ _ _ _ _ _ _	Zeigt die Geräte-UID an	
Update Firmware	Only This Unit	___ _ _ _ _ .CHL	Wählt die Update-Datei für dieses Produkt, oder zeigt "No such file!"	
		...		
	Multiple Units	___ _ _ _ _ .CHL	Wählt die Update-Datei für dieses Produkt und verbundene Ovation Réve E-3-Produkte, oder zeigt "No such file!"	
...				
Other Fixture Type	___ _ _ _ _ .CHL	Wählt die Update-Datei für andere verbundene Produkte, oder zeigt "No such file!"		
	...			
Reset Factory	No		Damit stellen Sie das Gerät auf die Werkseinstellungen zurück	
	Yes			



**WARNUNG:** Wenn Sie im Lüftermodus arbeiten: Aus, wird das Gerät bei Berührung heißer als bei Verwendung anderer Lüftermodi. Verwenden Sie geeignete Schutzausrüstung, um Verbrennungen zu vermeiden. Halten Sie einen Sicherheitsabstand zu brennbaren Gegenständen ein.



**HINWEIS:** Im Lüftermodus: Aus wird der Ausgang des Geräts reduziert und erreicht nicht die gleichen Pegel wie bei Verwendung anderer Lüftermodi.

## DMX-Werte

### HSV

Kanal	Funktion	Wert	Prozent/Einstellung
1	Farbton	000 ⇔ 255	0–100%
2	Farbsättigung	000 ⇔ 255	0–100%
3	Farbwert	000 ⇔ 255	0–100%
4	Goborotator	000 ⇔ 127 128 ⇔ 190 191 ⇔ 192 193 ⇔ 255	Index Drehung im Uhrzeigersinn, schnell bis langsam Halt Drehung gegen den Uhrzeigersinn, langsam bis schnell

### 18Ch

Kanal	Funktion	Wert	Prozent/Einstellung
1	Dimmer	000 ⇔ 255	0–100%
2	Feine Dimmer	000 ⇔ 255	0–100%
3	Rot	000 ⇔ 255	0–100%
4	Feine rot	000 ⇔ 255	0–100%
5	Grün	000 ⇔ 255	0–100%
6	Feine grün	000 ⇔ 255	0–100%
7	Blau	000 ⇔ 255	0–100%
8	Fein blau	000 ⇔ 255	0–100%
9	Bernsteinfarben	000 ⇔ 255	0–100%
10	Feine bernsteinfarben	000 ⇔ 255	0–100%
11	Minzgrün	000 ⇔ 255	0–100%
12	Feine minzgrün	000 ⇔ 255	0–100%
13	Stroboskop	000 ⇔ 010 011 ⇔ 255	Keine Funktion Stroboskopeffekt, langsam bis schnell
14	Virtuelles Farbrad	000 ⇔ 255	Siehe <a href="#">Tabelle: Virtuelles Farbrad</a>
15	Farbtemperatur	000 ⇔ 255	Siehe <a href="#">Farbtemperatur DMX-Kanalwert</a>
16	Farbton	000 ⇔ 000 001 ⇔ 255	0 -25–25
17	Kontrolle (3 Sekunden lang gedrückt halten)	000 ⇔ 007 008 ⇔ 015 016 ⇔ 023 024 ⇔ 031 032 ⇔ 039 040 ⇔ 047 048 ⇔ 055 056 ⇔ 063 064 ⇔ 071 072 ⇔ 079 080 ⇔ 087 088 ⇔ 095 096 ⇔ 103 104 ⇔ 111 112 ⇔ 119 120 ⇔ 127 128 ⇔ 135 136 ⇔ 143 144 ⇔ 151 152 ⇔ 159 160 ⇔ 167 168 ⇔ 255	Keine Funktion Dimmer zurücksetzen Rotverschiebung ein Rotverschiebung aus S-Kurve Dimmerkurve Lineare Dimmerkurve Quadratische Dimmerkurve Inverse quadratische Dimmerkurve Dimmer-Geschwindigkeits-Modus aus Dimmer-Geschwindigkeits-Modus 1 (schnellste) Dimmer-Geschwindigkeits-Modus 2 Dimmer-Geschwindigkeits-Modus 3 (langsamste) Lüfter Auto-Modus Lüfter eingeschaltet Lüfter ausgeschaltet Lüfter lautlos X-Fade-Geschwindigkeit: AUS X-Fade-Geschwindigkeit: 1 (schnellste) X-Fade-Geschwindigkeit: 2 X-Fade-Geschwindigkeit: 3 X-Fade Geschwindigkeit: 4 (langsamste) Reserviert für zukünftige Verwendung
18	Goborotator	000 ⇔ 127 128 ⇔ 190 191 ⇔ 192 193 ⇔ 255	Index Drehung im Uhrzeigersinn, schnell bis langsam Halt Drehung gegen den Uhrzeigersinn, langsam bis schnell

14Ch1

Kanal	Funktion	Wert	Prozent/Einstellung
1	Dimmer	000 ⇔ 255	0–100%
2	Rot	000 ⇔ 255	0–100%
3	Grün	000 ⇔ 255	0–100%
4	Blau	000 ⇔ 255	0–100%
5	Bernsteinfarben	000 ⇔ 255	0–100%
6	Minzgrün	000 ⇔ 255	0–100%
7	Stroboskop	000 ⇔ 010 011 ⇔ 255	Keine Funktion Stroboskopeffekt, langsam bis schnell
8	Virtuelles Farbrad	000 ⇔ 255	Siehe <a href="#">Tabelle: Virtuelles Farbrad</a>
9	Farbtemperatur	000 ⇔ 255	Siehe <a href="#">Farbtemperatur DMX-Kanalwert</a>
10	Hue	000 ⇔ 000 001 ⇔ 255	0 -25–25
11	Auto-Programme	000 ⇔ 010 011 ⇔ 060 061 ⇔ 110 111 ⇔ 160 161 ⇔ 210 211 ⇔ 255	Keine Funktion Autoprogramm 1 Autoprogramm 2 Autoprogramm 3 Autoprogramm 4 Autoprogramm 5
12	Auto-Geschwindigkeit	000 ⇔ 255	0–100%
13	Kontrolle (3 Sekunden lang gedrückt halten)	000 ⇔ 007 008 ⇔ 015 016 ⇔ 023 024 ⇔ 031 032 ⇔ 039 040 ⇔ 047 048 ⇔ 055 056 ⇔ 063 064 ⇔ 071 072 ⇔ 079 080 ⇔ 087 088 ⇔ 095 096 ⇔ 103 104 ⇔ 111 112 ⇔ 119 120 ⇔ 127 128 ⇔ 135 136 ⇔ 143 144 ⇔ 151 152 ⇔ 159 160 ⇔ 167 168 ⇔ 255	Keine Funktion Dimmer zurücksetzen Rotverschiebung ein Rotverschiebung aus S-Kurve Dimmerkurve Lineare Dimmerkurve Quadratische Dimmerkurve Inverse quadratische Dimmerkurve Dimmer-Geschwindigkeits-Modus aus Dimmer-Geschwindigkeits-Modus 1 (schnellste) Dimmer-Geschwindigkeits-Modus 2 Dimmer-Geschwindigkeits-Modus 3 (langsamste) Lüfter Auto-Modus Lüfter eingeschaltet Lüfter ausgeschaltet Lüfter lautlos X-Fade-Geschwindigkeit: AUS X-Fade-Geschwindigkeit: 1 (schnellste) X-Fade-Geschwindigkeit: 2 X-Fade-Geschwindigkeit: 3 X-Fade Geschwindigkeit: 4 (langsamste) Reserviert für zukünftige Verwendung
14	Goborotator	000 ⇔ 127 128 ⇔ 190 191 ⇔ 192 193 ⇔ 255	Index Drehung im Uhrzeigersinn, schnell bis langsam Halt Drehung gegen den Uhrzeigersinn, langsam bis schnell

**14Ch2**

Kanal	Funktion	Wert	Prozent/Einstellung
1	Dimmer	000 ⇔ 255	0–100%
2	Feine Dimmer	000 ⇔ 255	0–100%
3	Rot	000 ⇔ 255	0–100%
4	Feine rot	000 ⇔ 255	0–100%
5	Grün	000 ⇔ 255	0–100%
6	Feine grün	000 ⇔ 255	0–100%
7	Blau	000 ⇔ 255	0–100%
8	Fein blau	000 ⇔ 255	0–100%
9	Bernsteinfarben	000 ⇔ 255	0–100%
10	Feine bernsteinfarben	000 ⇔ 255	0–100%
11	Minzgrün	000 ⇔ 255	0–100%
12	Feine minzgrün	000 ⇔ 255	0–100%
13	Stroboskop	000 ⇔ 010 011 ⇔ 255	Keine Funktion Stroboskopeffekt, langsam bis schnell
14	Goborotator	000 ⇔ 127 128 ⇔ 190 191 ⇔ 192 193 ⇔ 255	Index Drehung im Uhrzeigersinn, schnell bis langsam Halt Drehung gegen den Uhrzeigersinn, langsam bis schnell

**12Ch**

Kanal	Funktion	Wert	Prozent/Einstellung
1	Dimmer	000 ⇔ 255	0–100%
2	Feine Dimmer	000 ⇔ 255	0–100%
3	Rot	000 ⇔ 255	0–100%
4	Grün	000 ⇔ 255	0–100%
5	Blau	000 ⇔ 255	0–100%
6	Bernsteinfarben	000 ⇔ 255	0–100%
7	Minzgrün	000 ⇔ 255	0–100%
8	Stroboskop	000 ⇔ 010 011 ⇔ 255	Keine Funktion Stroboskopeffekt, langsam bis schnell
9	Virtuelles Farbrad	000 ⇔ 255	Siehe <a href="#">Tabelle: Virtuelles Farbrad</a>
10	Farbtemperatur	000 ⇔ 255	Siehe <a href="#">Farbtemperatur DMX-Kanalwert</a>
11	Farbton	000 ⇔ 000 001 ⇔ 255	0 -25–25
12	Goborotator	000 ⇔ 127 128 ⇔ 190 191 ⇔ 192 193 ⇔ 255	Index Drehung im Uhrzeigersinn, schnell bis langsam Halt Drehung gegen den Uhrzeigersinn, langsam bis schnell

DE

**8Ch**

Kanal	Funktion	Wert	Prozent/Einstellung
1	Dimmer	000 ⇔ 255	0–100%
2	Rot	000 ⇔ 255	0–100%
3	Grün	000 ⇔ 255	0–100%
4	Blau	000 ⇔ 255	0–100%
5	Bernsteinfarben	000 ⇔ 255	0–100%
6	Minzgrün	000 ⇔ 255	0–100%
7	Stroboskop	000 ⇔ 010 011 ⇔ 255	Keine Funktion Stroboskopeffekt, langsam bis schnell
8	Goborotator	000 ⇔ 127 128 ⇔ 190 191 ⇔ 192 193 ⇔ 255	Index Drehung im Uhrzeigersinn, schnell bis langsam Halt Drehung gegen den Uhrzeigersinn, langsam bis schnell

**6Ch**

Kanal	Funktion	Wert	Prozent/Einstellung
1	Rot	000 ⇔ 255	0–100%
2	Grün	000 ⇔ 255	0–100%
3	Blau	000 ⇔ 255	0–100%
4	Bernsteinfarben	000 ⇔ 255	0–100%
5	Minzgrün	000 ⇔ 255	0–100%
6	Goborotator	000 ⇔ 127 128 ⇔ 190 191 ⇔ 192 193 ⇔ 255	Index Drehung im Uhrzeigersinn, schnell bis langsam Halt Drehung gegen den Uhrzeigersinn, langsam bis schnell

**5Ch**

Kanal	Funktion	Wert	Prozent/Einstellung
1	Dimmer	000 ⇔ 255	0–100%
2	Virtuelles Farbrad	000 ⇔ 255	Siehe <a href="#">Tabelle: Virtuelles Farbrad</a>
3	Farbtemperatur	000 ⇔ 255	Siehe <a href="#">Farbtemperatur DMX-Kanalwert</a>
4	Farbton	000 ⇔ 000 001 ⇔ 255	0 -25–25
5	Goborotator	000 ⇔ 127 128 ⇔ 190 191 ⇔ 192 193 ⇔ 255	Index Drehung im Uhrzeigersinn, schnell bis langsam Halt Drehung gegen den Uhrzeigersinn, langsam bis schnell

**1Ch**

Kanal	Funktion	Wert	Prozent/Einstellung
1	Dimmer	000 ⇔ 255	0–100%

## Over deze handleiding

De Ovation Rêve E-3 Beknopte Handleiding (BH) bevat basisinformatie over het product, zoals aansluiting, montage, menu-opties en DMX-waarden. Download de gebruikershandleiding op [www.chauvetprofessional.com](http://www.chauvetprofessional.com) voor meer informatie.

### Disclaimer

De informatie en specificaties in deze BH kunnen zonder voorafgaande kennisgeving worden gewijzigd.

### BEPERKTE GARANTIE

**GA NAAR ONZE WEBSITE VOOR REGISTRATIE VAN DE GARANTIE EN DE VOLLEDIGE ALGEMENE VOORWAARDEN.**

**Voor klanten in de Verenigde Staten en Mexico:** [www.chauvetlighting.com/warranty-registration](http://www.chauvetlighting.com/warranty-registration).

**Voor klanten in het Verenigd Koninkrijk, Ierland, België, Nederland, Luxemburg, Frankrijk en Duitsland:** [www.chauvetlighting.eu/warranty-registration/](http://www.chauvetlighting.eu/warranty-registration/).

Chauvet garandeert dat dit product bij normaal gebruik vrij zal blijven van defecten in materiaal en vakmanschap, voor de opgegeven periode en onder voorbehoud van de uitzonderingen en beperkingen die zijn uiteengezet in de volledige beperkte garantie op onze website. Deze garantie geldt uitsluitend voor de oorspronkelijke koper van het product en is niet overdraagbaar. Om onder deze garantie rechten uit te oefenen, moet u een aankoopbewijs overleggen in de vorm van een origineel verkoopbewijs van een geautoriseerde dealer, waarop de naam van het product en de aankoopdatum zichtbaar zijn. ER ZIJN GEEN ANDERE EXPLICIETE OF IMPLICIETE GARANTIES. Deze garantie geeft u specifieke wettelijke rechten. Mogelijk heeft u ook andere rechten die van staat tot staat en van land tot land verschillen. Deze garantie is uitsluitend geldig in de Verenigde Staten, het Verenigd Koninkrijk, Ierland, België, Nederland, Luxemburg, Frankrijk, Duitsland en Mexico. Neem contact op met uw lokale verkoper voor garantievoorwaarden in andere landen.

### Veiligheidsinstructies

- De armatuur moet zodanig geplaatst worden dat langdurig staren in de armatuur op een afstand van minder dan 3,0 m voorkomen wordt.
- Als de externe flexibele kabel of het snoer van deze armatuur beschadigd is, moet deze worden vervangen door een speciaal snoer of een snoer dat uitsluitend beschikbaar is bij de fabrikant of zijn onderhoudsagent.
- De lichtbron die in deze armatuur omvat is mag alleen vervangen worden door de fabrikant, of diens onderhoudsagent of een soortgelijk erkend persoon.
- De armatuur is uitsluitend bedoeld voor professioneel gebruik.
- Open het product NIET. Het bevat geen te onderhouden onderdelen.
- KIJK NIET in de lichtbron wanneer het apparaat is ingeschakeld.
- Gebruik dit product NIET buitenshuis of op een locatie waar stof, grote warmte, water of vochtigheid het kunnen beïnvloeden (IP20).
- Plaats geen ontvlambaar materiaal binnen 50 cm van dit product als het in gebruik is of is aangesloten op het stopcontact.
- Gebruik dit product NIET als de behuizing, lenzen of kabels beschadigd lijken.
- Sluit dit product NIET aan op een dimmer of een regelweerstand.
- LET OP: De behuizing van dit product kan heet zijn wanneer het in bedrijf is.
- LET OP: Bij het verplaatsen van het product uit extreme omgevingen, (bijv. koude vrachtwagen naar warme, vochtige balzaal) kan er condensvorming optreden op de elektronica van het product. Om storingen te vermijden moet het product volledig kunnen acclimatiseren aan de omgeving voordat het op stroom wordt aangesloten.
- GEBRUIK een veiligheidskabel bij het boven het hoofd plaatsen van dit product.
- Sluit dit product UITSLUITEND op een geaard en beveiligd stroomcircuit.
- Gebruik UITSLUITEND de ophang-/montagebeugel om dit product te dragen.
- Monteer dit product op een plek met voldoende ventilatie, ten minste 50 cm van de aangrenzende oppervlakken.
- Om onnodige slijtage te elimineren en zijn levensduur te verlengen, gedurende perioden wanneer het product niet wordt gebruikt, moet u het product van de stroom afsluiten door een aardlekschakelaar om te zetten of door het te ontkoppelen.
- Stop in het geval van ernstige operationele problemen onmiddellijk met het gebruik.
- De maximale omgevingstemperatuur bedraagt 45 °C. Gebruik dit product niet bij hogere temperaturen.

### FCC-naleving

Dit apparaat voldoet aan Part 15 Part B van de FCC-regels. Het gebruik is onderworpen aan de volgende twee voorwaarden:

1. Dit apparaat mag geen schadelijke interferentie veroorzaken, en
2. Dit apparaat moet enige ontvangen interferentie accepteren, inclusief interferentie die een ongewenste werking kan veroorzaken.

Eventuele wijzigingen of aanpassingen die niet uitdrukkelijk door de voor naleving verantwoordelijke partij zijn goedgekeurd, kan de bevoegdheid van de gebruiker om de apparatuur te bedienen ongeldig verklaren.

### Contact

Van buiten de VS, Verenigd Koninkrijk, Ierland, Benelux, Frankrijk, Duitsland of Mexico kunt u contact opnemen met de distributeur of om ondersteuning vragen dan wel het product retourneren. Ga naar [Contact Us](#) voor contactinformatie.

### Wat is inbegrepen

- Ovation Rêve E-3
- Soft focus filter
- Beknopte handleiding
- Seetronic Powerkon stroomsnoer
- Ovation metalen gobohouder

## AC-stroom

Dit product heeft een voeding met automatisch bereik die werkt met een ingangsspanning van 100–240 VAC, 50/60 Hz.

## Power Linking

U kunt tot 3 Ovation Rêve E-3-producten koppelen bij 100 V, 4 producten bij 120 V, 7 producten bij 208 V, 8 producten bij 230 V, 8 producten bij 240 V. Dit aantal niet overschrijden. Power Linking-snoeren kunnen apart aangeschaft worden.

## AC-stekker

Aansluiting	Snoer (VS)	Snoer (Europa)	Schroefkleur
AC Live	Zwart	Bruin	Geel/messing
AC Neutraal	Wit	Blauw	Zilver
AC Aarde	Groen/geel	Groen/geel	Groen



**Om onnodige slijtage te elimineren en zijn levensduur te verlengen, gedurende perioden wanneer het product niet wordt gebruikt, moet u het product van de stroom afsluiten door een aardlekschakelaar om te zetten of door het te ontkoppelen.**

## De zekering vervangen

1. Ontkoppel dit product van de stroom.
2. Gebruik een kruiskopschroevendraaier en schroef de kap van de zekeringhouder los van de behuizing.
3. Verwijder de doorgebrande zekering en vervang het met een werkende zekering van hetzelfde type en met dezelfde waarde.
4. Schroef de kap van de zekeringhouder terug en steek de stekker er weer in.

## DMX-koppeling

De Ovation Rêve E-3 kan met een DMX-controller werken met een 3- and 5-pins DMX seriële verbinding. Op [www.chauvetprofessional.com](http://www.chauvetprofessional.com) is een DMX basishandleiding verkrijgbaar.

## DMX-aansluiting

De Ovation Rêve E-3 gebruikt een 3- en 5-pins DMX-gegevensverbinding voor zijn DMX-persoonlijkheden: **1Ch, 5Ch, 6Ch, 8Ch, 12Ch, 14Ch1, 14Ch2, 18Ch** of **HSV**. Zie de gebruikershandleiding om te verbinden en te configureren voor DMX-werking.

## Master/slave-verbinding

De Ovation Rêve E-3 maakt gebruik van de DMX-dataverbinding voor haar Master-/Slave-modus. Zie de gebruikershandleiding om te verbinden en te configureren voor Master/Slave-werking.

## RDM (apparaatbeheer op afstand)

Remote Device Management of RDM (apparaatbeheer op afstand) is een standaard die het voor DMX-apparaten mogelijk maakt om in twee richtingen te communiceren over bestaande DMX-kabels. De Ovation Rêve E-3 ondersteunt het RDM-protocol dat zorgt feedback toelaat bij de bewaking van wijzigingen aan de menu map-opties van. Download de gebruikershandleiding op [www.chauvetprofessional.com](http://www.chauvetprofessional.com) voor meer informatie.



## USB-softwareupdate

De Ovation Rêve E-3 kan via USB een softwareupdate ontvangen via de ingebouwde USB-poort. Ga als volgt te werk om de software via USB bij te werken:

1. Schakel het armatuur in en steek de USB-stick in de USB-poort.
2. Zodra de flashdrive gedetecteerd is wordt de melding "Upgrade Firmware" (Firmware bijwerken) weergegeven. Druk op <ENTER>.
  - Als er een andere melding op het scherm verschijnt moet u in het menu (**Updated Firmware**, ofwel bijgewerkte firmware) naar de bijgewerkte software zoeken en kies uit **Only This Unit, Multiple Units of Other Fixture Type**. Er wordt een lijst met de bijgewerkte softwarebestanden weergegeven.
3. Selecteer het bestand dat geüpload moet worden. Er verschijnt een melding "Are you sure?" (Weet u het zeker?). Druk op <ENTER>.
4. Als het geselecteerde bestand correct is, wordt de upgrade voltooid. Start de armatuur opnieuw op.
  - Als het geselecteerde bestand onjuist is, zal de upgrade mislukken en gaat het scherm terug naar de hoofdinterface. Herhaal stap 1-3 dan met het juiste bestand.



Het bestand in .chl-formaat moet in de map "OVATION" op de USB-stick geplaatst worden.



De optie "Other Fixture Type" kan alleen worden geselecteerd voor aangesloten producten die compatibel zijn met Upload 03 (de eerste 2 cijfers van de artikelcode moeten 03 zijn).

## Lensbuizen

De volgende lensbuizen zijn aan te schaffen:

- 19°, 26°, 36° en 50° met gelframe (159 mm accessoires)
- 5° zoom gelframe (356 mm)
- 10° zoom gelframe (304 mm)
- 14°, 15–30° en 25°–50° zoom gelframe (91 mm accessoires)

## Soft Focus-Filter

De Ovation Rêve E-3 wordt geleverd met een soft focus filter. Om het soft focus filter in goede conditie te houden:

- Zorg ervoor dat er geen vingerafdrukken op het filter achterblijven, aangezien dit ervoor kan zorgen dat het filter ongelijkmatig kan opwarmen en uiteindelijk kan kromtrekken.
- Wanneer het filter in de houder geplaatst wordt, dient de op het filter afgedrukte oriëntatierichting gevolgd te worden.
- Let er bij het plaatsen van sluitlamellen in het lichtpad op dat de warmte terug op het filter gereflecteerd wordt. Hoe dieper de lamellen geplaatst worden, en hoe langer de armatuur loopt, hoe meer warmte er op het filter gereflecteerd wordt, waardoor het vervormt en mogelijk aan de sluitlamellen blijft kleven.

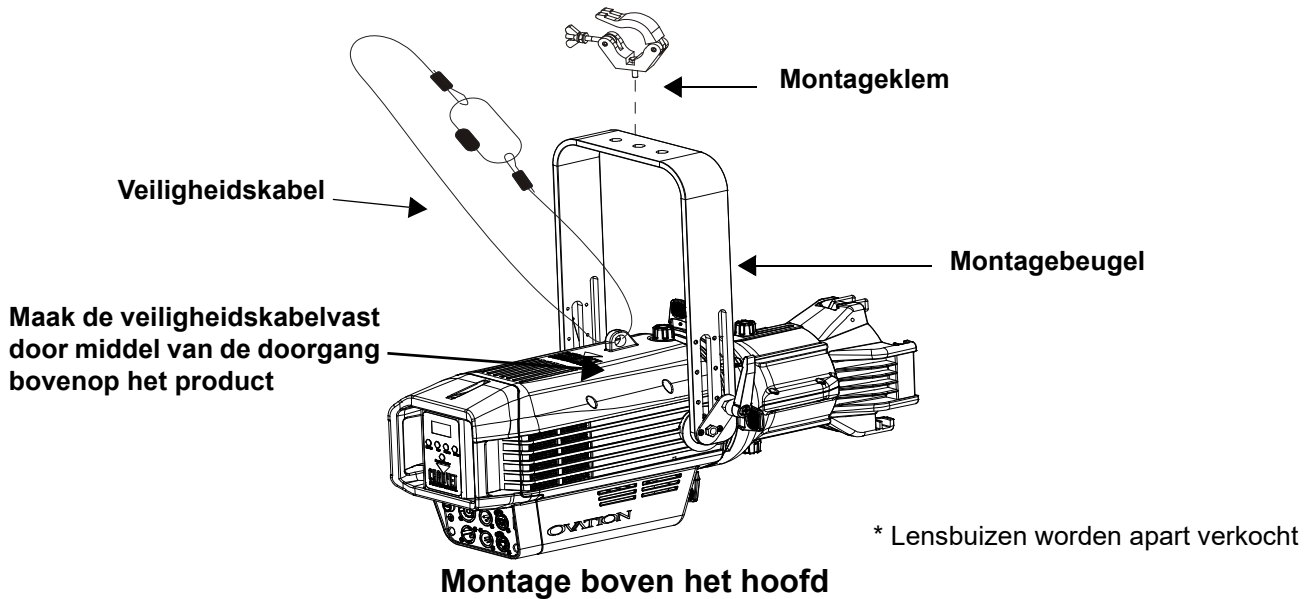


Indien er op het soft-focus-filter een beschermende film zit, dient deze eerst verwijderd te worden. Het filter zit in een houder in de metalen gobo-sleuf.

## Montage

Lees alvorens dit product te monteren alle [Veiligheidsinstructies](#). Controleer of de montageklem het gewicht van het product kan dragen. Ga voor onze Chauvet-serie montageklemmen naar <http://trusst.com/productcategory/truss-clamps/>.

### Montagediagram van het product

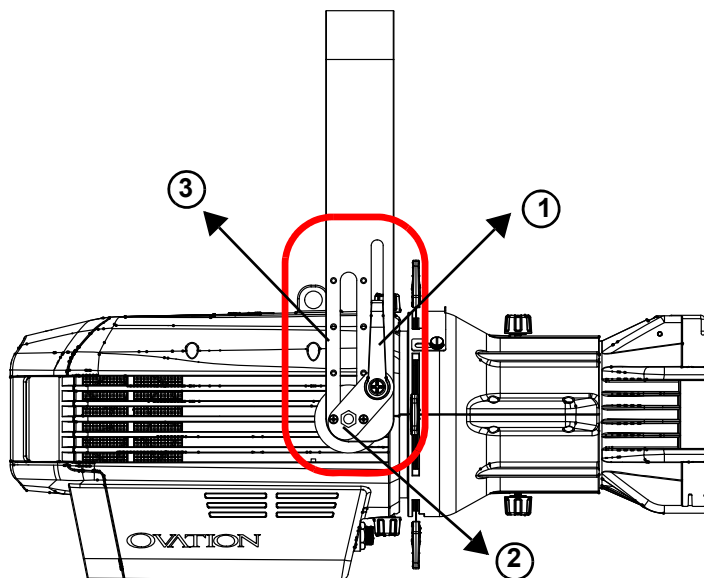


### Montage boven het hoofd

### Instelbare beugel

De Ovation Rêve E-3 wordt met een instelbare beugel geleverd voor montage op plaatsen met weinig ruimte. Doe het volgende om de hoogte van de beugel aan te passen:

1. Draai de beugelstelknoppen aan weerszijde van de armatuur los.
2. Verwijder, aan weerszijden van de armatuur, de twee schroeven en draai de bout los die de plaat aan de montagebeugel bevestigt.
3. Gebruik de schroefgaten als leidraad en pas de positie van de montagebeugel aan tot de gewenste hoogte van de beugel.
4. Plaats de schroeven weer terug en draai de bouten en de stelknoppen van de beugel aan.



**Virtueel kleurenwiel**

De Ovation Rêve E-3 bevat een functie, genaamd het virtuele kleurenwiel (Virtual Color Wheel, VCW). Deze functie is beschikbaar als een losstaande bedieningsmodus voor handmatig gebruik en ook als een bedieningskanaal in de geselecteerde DMX-persoonlijkheden van de producten. Voor eenvoudiger programmering zijn er meer dan 30 voorgemengde kleuren beschikbaar die speciaal door onze technici zijn samengesteld.

De DMX-waarden die worden gebruikt voor het mengen van deze kleuren staan hieronder vermeld. U kunt de algehele intensiteit van het Ovation-armatuur aanpassen om de kleuren waarmee u bekend bent beter na te bootsen. Op onze website [www.chauvetprofessional.com](http://www.chauvetprofessional.com) is een tabel beschikbaar om onze voorgemengde kleuren te vergelijken met populaire gelkleuren. Deze grafiek is uitsluitend bedoeld voor vergelijkingsdoeleinden en vormt geen garantie dat onze voorgemengde kleuren overeenkomen met de vermelde gelkleuren.

**Kleurenkaart**

DMX-kanaalwaarde	Weergave op het display	Rode waarde	Groene waarde	Blauwe waarde	Amber waarde	Mintgroen waarde
000 ⇔ 005	--	--	--	--	--	--
006 ⇔ 013	<b>C3050 - Md Yellow</b>	255	225	0	255	37
014 ⇔ 021	<b>C3040 - Lt Yellow</b>	255	177	3	255	37
022 ⇔ 028	<b>C3240 - Amb Yellow</b>	255	220	0	255	0
029 ⇔ 035	<b>C2340 - V Lt Amber</b>	195	0	15	255	57
036 ⇔ 043	<b>C2040 - Lt Amber</b>	255	0	11	255	61
044 ⇔ 051	<b>C2050 - Md Amber</b>	255	53	0	255	17
052 ⇔ 059	<b>C2060 - Dk Amber</b>	255	8	0	255	17
060 ⇔ 067	<b>C1050 - Lt Red</b>	255	0	3	14	0
068 ⇔ 075	<b>C1080 - Md Red</b>	255	0	2	0	0
076 ⇔ 083	<b>C1020 - NC Pink</b>	255	75	62	255	73
084 ⇔ 091	<b>C1030 - Md Pink</b>	255	75	57	255	41
092 ⇔ 099	<b>C1630 - Dk Pink</b>	218	77	57	255	61
100 ⇔ 107	<b>C1250 - Md Red Amber</b>	255	0	9	168	0
108 ⇔ 115	<b>C1060 - Dk Red Amber</b>	255	5	9	36	0
116 ⇔ 121	<b>C1650 - Magenta</b>	255	3	62	255	12
122 ⇔ 130	<b>C6170 - Dk Magenta</b>	255	0	55	0	0
131 ⇔ 138	<b>C6020 - Lt Lavender</b>	255	220	93	255	44
139 ⇔ 146	<b>C5030 - Lt Blue</b>	0	255	159	112	78
147 ⇔ 154	<b>C5020 - V Lt Blue</b>	0	215	145	196	65
155 ⇔ 162	<b>C5430 - Lt Blue2</b>	0	215	132	52	92
163 ⇔ 170	<b>C5070 - Blue</b>	0	195	188	0	19
171 ⇔ 178	<b>C5050 - Md Blue</b>	0	163	190	0	68
179 ⇔ 186	<b>C5060 - Dk Blue</b>	0	128	193	0	38
187 ⇔ 194	<b>C5690 - Indigo</b>	53	9	255	0	0
195 ⇔ 202	<b>C5080 - V Dk Blue</b>	7	84	116	0	0
203 ⇔ 210	<b>C5081 - V Dk Blue2</b>	11	82	139	0	0
211 ⇔ 218	<b>C4370 - Yel Green</b>	0	255	2	25	0
219 ⇔ 226	<b>C4070 - Green</b>	0	255	9	0	175
227 ⇔ 234	<b>C4550 - Turquoise</b>	0	255	87	96	255
235 ⇔ 242	<b>C4560 - Aqua</b>	0	255	98	44	255
243 ⇔ 250	<b>C4570 - Blue Green</b>	0	255	26	8	0
251 ⇔ 255	--	--	--	--	--	--



**Let op:** De kleuren hierboven zijn gesimuleerde waargaven van de kleurenitvoer die zijn geproduceerd, in vergelijking met de andere gelijksoortige lichtproducten. Chauvet geeft geen garantie over de nauwkeurigheid van de kleuropbrengst.

## Kleurtemperatuur-kaart

Kleurtemperatuur	Rode waarde	Groene waarde	Blauwe waarde	Amber waarde	Mintgroen waarde
2800K	253	0	25	255	145
2900K	253	3	28	255	153
3000K	251	5	33	255	161
3100K	248	7	36	255	169
3200K	245	9	45	255	173
3300K	242	13	47	255	182
3400K	237	22	53	255	185
3500K	230	30	58	255	185
3600K	225	40	64	255	185
3700K	221	48	70	255	185
3800K	220	48	74	255	197
3900K	220	50	79	255	203
4000K	210	58	84	255	203
4100K	205	63	88	255	203
4200K	199	68	95	255	204
4300K	189	69	98	255	204
4400K	183	71	103	255	204
4500K	174	78	107	255	204
4600K	170	80	112	255	204
4700K	166	89	119	255	204
4800K	164	98	123	255	203
4900K	163	100	129	255	205
5000K	163	103	137	255	206
5100K	163	108	142	255	208
5200K	163	116	147	255	208
5300K	163	118	156	255	210
5400K	162	122	162	255	216
5500K	162	124	166	255	224
5600K	162	127	172	255	229
5700K	159	127	177	255	231
6000K	158	134	192	241	231
6500K	152	152	206	225	231
7000K	144	157	224	218	231
7500K	127	172	238	218	231
8000K	122	175	245	200	231



Let op: De bovenstaande kleurtemperaturen zijn gesimuleerde weergaven van de geproduceerde kleuropbrengst, in vergelijking met een wolfram-lamp bij de opgegeven kleurtemperatuur. Chauvet geeft geen garantie over de nauwkeurigheid van de kleuropbrengst.

## Kleurtemperatuur DMX-kaart

DMX-kanaalwaarde	Kleurtemperatuur	DMX-kanaalwaarde	Kleurtemperatuur	DMX-kanaalwaarde	Kleurtemperatuur
000 ⇔ 005	Geen functie	084 ⇔ 090	3900–4000K	168 ⇔ 174	5100–5200K
006 ⇔ 013	2800–2900K	091 ⇔ 097	4000–4100K	175 ⇔ 181	5200–5300K
014 ⇔ 020	2900–3000K	098 ⇔ 104	4100–4200K	182 ⇔ 188	5300–5400K
021 ⇔ 027	3000–3100K	105 ⇔ 111	4200–4300K	189 ⇔ 195	5400–5500K
028 ⇔ 034	3100–3200K	112 ⇔ 118	4300–4400K	196 ⇔ 202	5500–5600K
035 ⇔ 041	3200–3300K	119 ⇔ 125	4400–4500K	203 ⇔ 209	5600–5700K
042 ⇔ 048	3300–3400K	126 ⇔ 132	4500–4600K	210 ⇔ 216	5700–6000K
049 ⇔ 055	3400–3500K	133 ⇔ 139	4600–4700K	217 ⇔ 223	6000–6500K
056 ⇔ 062	3500–3600K	140 ⇔ 146	4700–4800K	224 ⇔ 230	6500–7000K
063 ⇔ 069	3600–3700K	147 ⇔ 153	4800–4900K	231 ⇔ 237	7000–7500K
070 ⇔ 076	3700–3800K	154 ⇔ 160	4900–5000K	238 ⇔ 244	7500–8000K
077 ⇔ 083	3800–3900K	161 ⇔ 167	5000–5100K	245 ⇔ 255	8000K

**Beschrijving bedienings paneel**

Toets	Functie
<MENU>	Sluit het huidige menu of functie af
<ENTER>	Activeert het huidige getoonde menu of plaatst de huidige geselecteerde waarde in de geselecteerde functie
<UP>	Navigeert omhoog via het menu of verhoogt de numerieke waarde wanneer in een functie
<DOWN>	Navigeert omlaag via het menu of verlaagt de numerieke waarde wanneer in een functie
<FOCUS>	Plaats de armatuur in de focusmodus, wat de eenheid op vol vermogen plaatst voor eenvoudig focussen zonder andere armatuurinstellingen te veranderen. Nogmaals drukken om de focusmodus te verlaten.

**Menumap**

 Raadpleeg de productpagina van Ovation Rêve E-3 op [www.chauvetprofessional.com](http://www.chauvetprofessional.com) voor de nieuwste menukaart.

Hoofdniveau	Programmeerniveaus		Beschrijving
<b>DMX Address</b>	<b>001–512*</b>		Selecteert het start-adres (*hoogste kanaal beperkt tot de gekozen persoonlijkheid)
<b>DMX Channel</b>	<b>1Ch</b>	<b>Virtual Color Wheel</b>	1-kanaal: dimmer
		<b>Color Temperature</b>	
		<b>Manual Color Mixer</b>	
		<b>5Ch</b>	5-kanaal: dimmer, virtuele kleurenwiel, kleurtemperatuur, tint, gobo-rotator
		<b>6Ch</b>	6-kanaal: rood, groen, blauw, amber, mintgroen, gobo-rotator
		<b>8Ch</b>	8-kanaal: dimmer, RGBAM, stroboscoop, gobo-rotator
		<b>12Ch</b>	12-kanaal: 16-bit dimmer, RGBAM, stroboscoop, virtuele kleurenwiel, kleurtemperatuur, tint, gobo-rotator
		<b>14Ch1</b>	14-kanaal: RGBAM, dimmer, stroboscoop, virtuele kleurenwiel, kleurtemperatuur, automatische programma's, programmasnelheid, controle, tint, gobo-rotator
		<b>14Ch2</b>	14-kanaal: 16-bit RGBAM en dimmer, stroboscoop, gobo-rotator
	<b>18Ch</b>	18-kanaal: 16-bit RGBAM en dimmer, stroboscoop, virtuele kleurenwiel, kleurtemperatuur, controle, tint, gobo-rotator	
	<b>HSV</b>	4-kanaal: tint, verzadiging, waarde, gobo-rotator	
<b>Virtual Color Wheel</b>	<b>Virtual Color Wheel</b> C3050 - Md Yellow C3040 - Lt Yellow C3240 - Amb Yellow C2340 - VLt Amber C2040 - Lt Amber C2050 - Md Amber C2060 - Dk Amber C1050 - Lt Red C1080 - Md Red C1020 - NC Pink C1030 - Md Pink C1630 - Dk Pink C1250 - Md Red Amber C1060 - Dk Red Amber C1650 - Magenta C6170 - Dk Magenta C6020 - Lt Lavender C5030 - Lt Blue C5020 - VLt Blue C5430 - Lt Blue 2 C5070 - Blue	<b>Dimmer 000–255</b>	Het virtuele kleurenwiel simuleert de opbrengst van elke gelkleur. Raadpleeg de sectie <a href="#">Kleurenkaart</a> voor specifieke waarden.

Hoofdniveau	Programmeerniveaus		Beschrijving		
Virtual Color Wheel (vervolg)	Virtual Color Wheel	C5050 - Md Blue C5060 - Dk Blue C5690 - Indigo C5080 - Vdk Blue C5081 - Vdk Blue 2 C4370 - Yel Green C4070 - Green C4550 - Turquoise C4560 - Aqua C4570 - Blue Green	Dimmer 000–255	Het virtuele kleurenwiel simuleert de opbrengst van elke gelkleur. Raadpleeg de sectie <a href="#">Kleurenkaart</a> voor specifieke waarden.	
	Color Temperature	2800K 2900K 3000K 3100K 3200K 3300K 3400K 3500K 3600K 3700K 3800K 3900K 4000K 4100K 4200K 4300K 4400K 4500K 4600K 4700K 4800K 4900K 5000K 5100K 5200K 5300K 5400K 5500K 5600K 5700K 6000K 6500K 7000K 7500K 8000K	Dimmer	0–255	Voorinstelde witte kleurtemperaturen. Emuleert een wolfram-lamp bij de opgegeven kleurtemperatuur. Raadpleeg de sectie <a href="#">Kleurtemperatuur-kaart</a> voor specifieke waarden.
			Hue	-25–25	
	Manual Color Mixer	Red Green Blue Amber Mint	000–255	Combineert rood, groen, blauw, amber en mintgroen om een aangepaste kleur te genereren (0–100%)	
Color X-Fade Speed	Off		Schakelt de fade-overgang tussen kleuren uit		
	X-Fade Speed 1		Maakt een fade-overgang tussen kleuren bij gebruik van kleuren in het virtuele kleurenwiel of de kleurtemperatuurgrafiek, van snel (X-Fade Speed 1) tot langzaam (X-Fade Speed 4)		
	X-Fade Speed 2				
	X-Fade Speed 3				
X-Fade Speed 4					

Hoofdniveau	Programmeerniveaus		Beschrijving
Auto Show	Auto 1–5	1–100	Selecteert automatische programma's en snelheid
Red Shift	On		Bootst halogeenlamp dimmen na
	Off		
Gobo Rotator	000–255		Bestuurt de gobo-rotator
Master/ Slave	Master		Ontvangt DMX-signalen van de DMX-controller
	Slave		Ontvangt DMX-signalen van de master
Dimmer Curve	SCurve Linear Square Inverse Square		Stelt de dimcurve in
Dimmer Mode	Off		Lineaire dimmer
	Dimmer 1–3		Selecteert dimprofielen van snel (1) tot langzaam (3)
Color Calibration	User Calibration	Off	Deactiveert kleurkalibratie
		Red	Stelt de maximum waarde van de rood LED in
		Green	Stelt de maximum waarde van de groen LED in
		Blue	Stelt de maximum waarde van de blauw LED in
		Amber	Stelt de maximum waarde van de amber LED in
	Mint	Stelt de maximum waarde van de mintgroen LED in	
Factory Calibration		125–255	Gebruikt standaard witte instelling
LED Frequency	600Hz 1200Hz 2000Hz 4000Hz 6000Hz 25KHz		Selecteert de PWM-uitgangsfrequentie
Fan Mode	Auto		Ingesteld de ventilator automatische modus
	On		Ingesteld de ventilator altijd aan modus
	Off		Ingesteld de ventilator altijd uit
	Silent		Ingesteld de ventilator stil
Back Light	10S		Schakelt de backlight uit na 10s van inactiviteit
	30S		Schakelt de backlight uit na 30s van inactiviteit
	2Min		Schakelt de backlight uit na 2 min van inactiviteit
	Always On		De backlight van de display is altijd aan
Gobo Power	On		Schakelt de gobo vermogensuit aan of uit
	Off		
Information	Fixture Hours	____H	Toont het totale aantal producturen
	LED Hours	____H	Toont het totale aantal LED-uren
	Version	V_._	Toont de geïnstalleerde softwareversie
	UID	-----	Geeft de huidige UID
Update Firmware	Only This Unit	_____.CHL	Selecteert een updatebestand voor dit product, of toont "No such file!"
		...	
	Multiple Units	_____.CHL	Selecteert een updatebestand voor dit product en verbonden Ovation Rêve E-3-producten, of toont "No such file!"
		...	
Other Fixture Type	_____.CHL	Selecteert een updatebestand voor andere aangesloten producten, of toont "No such file!"	
	...		
Reset Factory	No		Herstellen naar de fabrieksstandaard
	Yes		



**WAARSCHUWING:** Bij werking in de ventilatormodus: Uit, de armatuur wordt voelt warmer aan dan bij gebruik van andere ventilatormodi. Gebruik de juiste beschermende uitrusting om brandwonden te voorkomen. Houd een veilige afstand van brandbare voorwerpen.



**LET OP:** Bij werking in de ventilatormodus: Uit, uitvoer van de armatuur wordt verminderd en zal niet dezelfde niveaus bereiken als bij andere ventilatormodi.

NL

## DMX-waarden

## HSV

Kanaal	Functie	Waarde	Percentage/Instelling
1	Tint	000 ⇔ 255	0–100%
2	Verzadiging	000 ⇔ 255	0–100%
3	Waarde	000 ⇔ 255	0–100%
4	Gobo rotator	000 ⇔ 127 128 ⇔ 190 191 ⇔ 192 193 ⇔ 255	Inhoudsopgave Rotatie met de klok mee, snel tot langzaam Stoppen Linksom draaien, langzaam tot snel

## 18Ch

Kanaal	Functie	Waarde	Percentage/Instelling
1	Dimmer	000 ⇔ 255	0–100%
2	Fijn dimmer	000 ⇔ 255	0–100%
3	Rood	000 ⇔ 255	0–100%
4	Fijn rood	000 ⇔ 255	0–100%
5	Groen	000 ⇔ 255	0–100%
6	Fijn groen	000 ⇔ 255	0–100%
7	Blauw	000 ⇔ 255	0–100%
8	Fijn blauw	000 ⇔ 255	0–100%
9	Amber	000 ⇔ 255	0–100%
10	Fijn amber	000 ⇔ 255	0–100%
11	Mintgroen	000 ⇔ 255	0–100%
12	Fijn mintgroen	000 ⇔ 255	0–100%
13	Stroboscoop	000 ⇔ 010 011 ⇔ 255	Geen functie Stroboscoop, langzaam tot snel
14	Virtueel kleurenwiel	000 ⇔ 255	Raadpleeg de sectie <a href="#">Kleurenkaart</a>
15	Kleurtemperatuur	000 ⇔ 255	Raadpleeg de sectie <a href="#">Kleurtemperatuur DMX-kaart</a>
16	Tint	000 ⇔ 000 001 ⇔ 255	0 -25–25
17	Controle (houd 3 seconden ingedrukt)	000 ⇔ 007 008 ⇔ 015 016 ⇔ 023 024 ⇔ 031 032 ⇔ 039 040 ⇔ 047 048 ⇔ 055 056 ⇔ 063 064 ⇔ 071 072 ⇔ 079 080 ⇔ 087 088 ⇔ 095 096 ⇔ 103 104 ⇔ 111 112 ⇔ 119 120 ⇔ 127 128 ⇔ 135 136 ⇔ 143 144 ⇔ 151 152 ⇔ 159 160 ⇔ 167 168 ⇔ 255	Geen functie Dimmer reset Rode shift aan Rode shift uit S-curve dimcurve Lineaire dimcurve Vierkante dimcurve Omgekeerde vierkante dimcurve Dimmer snelheidsmodus uit Dimmer snelheidsmodus 1 (snel) Dimmer snelheidsmodus 2 Dimmer snelheidsmodus 3 (langzaam) Ventilator automatische modus Ventilator aan modus Ventilator uit modus Ventilator stil X-Fade Snelheid: OFF X-Fade Snelheid: 1 (snelste) X-Fade Snelheid: 2 X-Fade Snelheid: 3 X-Fade Snelheid: 4 (langzaamste) Gereserveerd voor toekomstig gebruik
18	Gobo rotator	000 ⇔ 127 128 ⇔ 190 191 ⇔ 192 193 ⇔ 255	Inhoudsopgave Rotatie met de klok mee, snel tot langzaam Stoppen Linksom draaien, langzaam tot snel



**14Ch1**

Kanaal	Functie	Waarde	Percentage/Instelling
1	Dimmer	000 ⇔ 255	0–100%
2	Rood	000 ⇔ 255	0–100%
3	Groen	000 ⇔ 255	0–100%
4	Blauw	000 ⇔ 255	0–100%
5	Amber	000 ⇔ 255	0–100%
6	Mintgroen	000 ⇔ 255	0–100%
7	Stroboscoop	000 ⇔ 010 011 ⇔ 255	Geen functie Stroboscoop, langzaam tot snel
8	Virtueel kleurenwiel	000 ⇔ 255	Raadpleeg de sectie <a href="#">Kleurenkaart</a>
9	Kleurtemperatuur	000 ⇔ 255	Raadpleeg de sectie <a href="#">Kleurtemperatuur DMX-kaart</a>
10	Tint	000 ⇔ 000 001 ⇔ 255	0 -25–25
11	Automatische programma's	000 ⇔ 010 011 ⇔ 060 061 ⇔ 110 111 ⇔ 160 161 ⇔ 210 211 ⇔ 255	Geen functie Auto 1 Auto 2 Auto 3 Auto 4 Auto 5
12	Programmasnelheid	000 ⇔ 255	0–100%
13	Controle (houd 3 seconden ingedrukt)	000 ⇔ 007 008 ⇔ 015 016 ⇔ 023 024 ⇔ 031 032 ⇔ 039 040 ⇔ 047 048 ⇔ 055 056 ⇔ 063 064 ⇔ 071 072 ⇔ 079 080 ⇔ 087 088 ⇔ 095 096 ⇔ 103 104 ⇔ 111 112 ⇔ 119 120 ⇔ 127 128 ⇔ 135 136 ⇔ 143 144 ⇔ 151 152 ⇔ 159 160 ⇔ 167 168 ⇔ 255	Geen functie Dimmer reset Rode shift aan Rode shift uit S-curve dimcurve Lineaire dimcurve Vierkante dimcurve Omgekeerde vierkante dimcurve Dimmer snelheidsmodus uit Dimmer snelheidsmodus 1 (snel) Dimmer snelheidsmodus 2 Dimmer snelheidsmodus 3 (langzaam) Ventilator automatische modus Ventilator aan modus Ventilator uit modus Ventilator stil X-Fade Snelheid: OFF X-Fade Snelheid: 1 (snelste) X-Fade Snelheid: 2 X-Fade Snelheid: 3 X-Fade Snelheid: 4 (langzaamste) Gereserveerd voor toekomstig gebruik
14	Gobo rotator	000 ⇔ 127 128 ⇔ 190 191 ⇔ 192 193 ⇔ 255	Inhoudsopgave Rotatie met de klok mee, snel tot langzaam Stoppen Linksom draaien, langzaam tot snel

NL

## 14Ch2

Kanaal	Functie	Waarde	Percentage/Instelling
1	Dimmer	000 ⇔ 255	0–100%
2	Fijn dimmer	000 ⇔ 255	0–100%
3	Rood	000 ⇔ 255	0–100%
4	Fijn rood	000 ⇔ 255	0–100%
5	Groen	000 ⇔ 255	0–100%
6	Fijn groen	000 ⇔ 255	0–100%
7	Blauw	000 ⇔ 255	0–100%
8	Fijn blauw	000 ⇔ 255	0–100%
9	Amber	000 ⇔ 255	0–100%
10	Fijn amber	000 ⇔ 255	0–100%
11	Mintgroen	000 ⇔ 255	0–100%
12	Fijn mintgroen	000 ⇔ 255	0–100%
13	Stroboscoop	000 ⇔ 010 011 ⇔ 255	Geen functie Stroboscoop, langzaam tot snel
14	Gobo rotator	000 ⇔ 127 128 ⇔ 190 191 ⇔ 192 193 ⇔ 255	Inhoudsopgave Rotatie met de klok mee, snel tot langzaam Stoppen Linksom draaien, langzaam tot snel

## 12Ch

Kanaal	Functie	Waarde	Percentage/Instelling
1	Dimmer	000 ⇔ 255	0–100%
2	Fijne dimmer	000 ⇔ 255	0–100%
3	Rood	000 ⇔ 255	0–100%
4	Groen	000 ⇔ 255	0–100%
5	Blauw	000 ⇔ 255	0–100%
6	Amber	000 ⇔ 255	0–100%
7	Mintgroen	000 ⇔ 255	0–100%
8	Stroboscoop	000 ⇔ 010 011 ⇔ 255	Geen functie Stroboscoop, langzaam tot snel
9	Virtueel kleurenwiel	000 ⇔ 255	Raadpleeg de sectie <a href="#">Kleurenkaart</a>
10	Kleurtemperatuur	000 ⇔ 255	Raadpleeg de sectie <a href="#">Kleurtemperatuur DMX-kaart</a>
11	Tint	000 ⇔ 000 001 ⇔ 255	0 -25–25
12	Gobo rotator	000 ⇔ 127 128 ⇔ 190 191 ⇔ 192 193 ⇔ 255	Inhoudsopgave Rotatie met de klok mee, snel tot langzaam Stoppen Linksom draaien, langzaam tot snel

**8Ch**

Kanaal	Functie	Waarde	Percentage/Instelling
1	Dimmer	000 ⇄ 255	0–100%
2	Rood	000 ⇄ 255	0–100%
3	Groen	000 ⇄ 255	0–100%
4	Blauw	000 ⇄ 255	0–100%
5	Amber	000 ⇄ 255	0–100%
6	Mintgroen	000 ⇄ 255	0–100%
7	Stroboscoop	000 ⇄ 010 011 ⇄ 255	Geen functie Stroboscoop, langzaam tot snel
8	Gobo rotator	000 ⇄ 127 128 ⇄ 190 191 ⇄ 192 193 ⇄ 255	Inhoudsopgave Rotatie met de klok mee, snel tot langzaam Stoppen Linksom draaien, langzaam tot snel

**6Ch**

Kanaal	Functie	Waarde	Percentage/Instelling
1	Rood	000 ⇄ 255	0–100%
2	Groen	000 ⇄ 255	0–100%
3	Blauw	000 ⇄ 255	0–100%
4	Amber	000 ⇄ 255	0–100%
5	Mintgroen	000 ⇄ 255	0–100%
6	Gobo rotator	000 ⇄ 127 128 ⇄ 190 191 ⇄ 192 193 ⇄ 255	Inhoudsopgave Rotatie met de klok mee, snel tot langzaam Stoppen Linksom draaien, langzaam tot snel

**5Ch**

Kanaal	Functie	Waarde	Percentage/Instelling
1	Dimmer	000 ⇄ 255	0–100%
2	Virtueel kleurenwiel	000 ⇄ 255	Raadpleeg de sectie <a href="#">Kleurenkaart</a>
3	Kleurtemperatuur	000 ⇄ 255	Raadpleeg de sectie <a href="#">Kleurtemperatuur DMX-kaart</a>
4	Tint	000 ⇄ 000 001 ⇄ 255	0 -25–25
5	Gobo rotator	000 ⇄ 127 128 ⇄ 190 191 ⇄ 192 193 ⇄ 255	Inhoudsopgave Rotatie met de klok mee, snel tot langzaam Stoppen Linksom draaien, langzaam tot snel

**1Ch**

Kanaal	Functie	Waarde	Percentage/Instelling
1	Dimmer	000 ⇄ 255	0–100%

Contact Us

General Information	Technical Support
<b>Chauvet World Headquarters</b>	
Address: 5200 NW 108th Ave. Sunrise, FL 33351 Voice: (954) 577-4455 Fax: (954) 929-5560 Toll Free: (800) 762-1084	Voice: (844) 393-7575 Fax: (954) 756-8015 Email: <a href="mailto:chauvetcs@chauvetlighting.com">chauvetcs@chauvetlighting.com</a> Website: <a href="http://www.chauvetprofessional.com">www.chauvetprofessional.com</a>
<b>Chauvet Europe Ltd</b>	
Address: Unit 1C Brookhill Road Industrial Estate Pinxton, Nottingham, UK NG16 6NT Voice: +44 (0) 1773 511115 Fax: +44 (0) 1773 511110	Email: <a href="mailto:UKtech@chauvetlighting.eu">UKtech@chauvetlighting.eu</a> Website: <a href="http://www.chauvetprofessional.eu">www.chauvetprofessional.eu</a>
<b>Chauvet Europe BVBA</b>	
Address: Stokstraat 18 9770 Kruishoutem Belgium Voice: +32 9 388 93 97	Email: <a href="mailto:BNLtech@chauvetlighting.eu">BNLtech@chauvetlighting.eu</a> Website: <a href="http://www.chauvetprofessional.eu">www.chauvetprofessional.eu</a>
<b>Chauvet France</b>	
Address: 3, Rue Ampère 91380 Chilly-Mazarin France Voice: +33 1 78 85 33 59	Email: <a href="mailto:FRtech@chauvetlighting.fr">FRtech@chauvetlighting.fr</a> Website: <a href="http://www.chauvetprofessional.eu">www.chauvetprofessional.eu</a>
<b>Chauvet Germany</b>	
Address: Bruno-Bürgel-Str. 11 28759 Bremen Germany Voice: +49 421 62 60 20	Email: <a href="mailto:DEtech@chauvetlighting.de">DEtech@chauvetlighting.de</a> Website: <a href="http://www.chauvetprofessional.eu">www.chauvetprofessional.eu</a>
<b>Chauvet Mexico</b>	
Address: Av. de las Partidas 34 - 3B (Entrance by Calle 2) Zona Industrial Lerma Lerma, Edo. de México, CP 52000 Voice: +52 (728) 690-2010	Email: <a href="mailto:servicio@chauvet.com.mx">servicio@chauvet.com.mx</a> Website: <a href="http://www.chauvetprofessional.mx">www.chauvetprofessional.mx</a>

Visit the applicable website above to verify our contact information and instructions to request support. Outside the U.S., U.K., Ireland, Benelux, France, Germany, or Mexico, contact the dealer of record.

