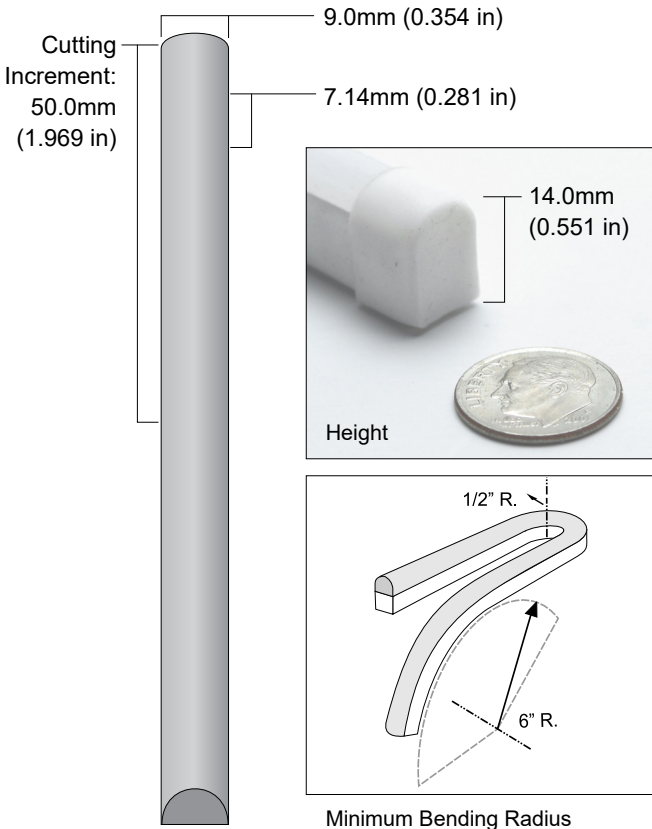


QolorFLEX NuNeon, Tunable White HiQ High CRI N914-H27006500-5 is a sealed LED linear product that is flexible and safe for indoor or outdoor use. It offers exceptional on-camera color rendition with a color rendering index greater than 94, allowing lighting professionals to meet the needs of high quality film and video lighting. Like all QolorFLEX NuNeon types, QolorFLEX NuNeon, Tunable White HiQ High CRI is rugged, outdoor-rated, dimmable, can be cut to length, and offers nearly the same visual impact as traditional blown glass neon without the problematic issue of installation and maintenance. QolorFLEX NuNeon operates on 24VDC and can be powered and controlled by a variety of QolorFLEX Dimmers and power supplies.



SPECIFICATIONS:

Physical		
Length	5m	(16.404 ft)
Height	14mm	(0.551 in)
Width	9mm	(0.354 in)
Cutting Increment	50mm	(1.969 in)
LED Spacing	7.14mm	(0.281 in)
Material	Silicone Extrusion	
Type	White Finish	
Connector Type	200mm long (7.874 in) flat cable on both ends, stripped 10mm and tinned	
Minimum Bending Radius	Flat plane: 1/2" Global axis: 6"	

Output	
Color(s)	Warm White / Cool White
Color Temperature	2700 K, 6500 K
Beam Angle	120°
Brightness	600 lm/m
Color Rendering Index (CRI)	> 94

Electrical	
Operating Voltage	24VDC
Current	2.9A
Power Consumption	70w/5m (4.27 w/ft)
Density	240 LEDs/m
LED Type	2835

Product Information	
Use Environment	Indoor / Outdoor
Dimmable	Fully Dimmable
Average Life	50,000 hours
Warranty	Two years
IP Rating	IP67
Compliance	ETL, CE, RoHS

