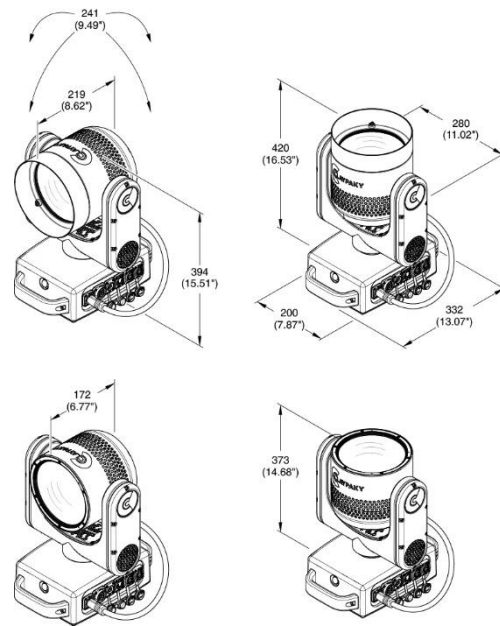


MODEL: MINI-B SPARKY AQUA

CODE: CL3034

November 25, 2024



LIGHT SOURCE:

Source type: • LED RGBW (330 pcs x 1W)

LED life expectancy: • 50.000 Hrs L70*

* It may vary depending on various factors, such as the type of use and environment

PHOTOMETRIC DATA:

Aperture: • 120°

Lm output: • 14000 Lm (integrating sphere)

Front lens: • Ø 188 mm

Optical syt.: • High efficiency

NOISE LEVEL:

Fixed presets:

- Silent mode: 41,0 dBA
- Auto mode: 51,2 dBA
- Theatre mode: 49,1 dBA
- Constant mode: 51,2 dBA

CONTROL & CONNECTIONS:

Personalities:

- Main engine: 5 modes with 14 / 18 / 28 / 36 / 30 control channels
- Pixels engine: 2 modes with 30 / 40 control channels

Protocols: • DMX, Art-Net, sACN, RDM, Webserver

Connectors:

- Locking 5 pin XLR IN/OUT
- RJ45 IN/OUT

Power con.: • PowerCon True1 IN/OUT

Web server: • Built-in

CloudIO: • Fully compatible

DYNAMIC EFFECTS:

Colors:

- RGBW color mixing – 16 bit
- Linear CTO 2700K to 8000K
- Advanced layers management (color, internal shape, pixel mapping)
- Individual control of 10 LEDs areas (rings)
- Pre-programmed shape selection of static and dynamic patterns

Movement:

- Tilt: 220° (16 bit)
- Pan: 540° (16 bit)

Strobe: • Electronic strobe from 1 to 25 f/sec

Dimmer / Shutter:

- High resolution electronic dimmer - 16 bit, 5 curves
- High speed electronic shutter and strobe

HARDWARE & SOFTWARE:

- Long life self-charging battery
- Display graphic LCD backlit B/W display
- Firmware upload from another fixture
- Firmware upgrade via Web Server
- Diagnostic
- DMX monitoring
- Remote access through RDM

HOUSING:

- Magnesium housing
- Two side handles for transportation
- IP66 protection rate
- Working in any position
- Hanging system: with fast-lock Omega clamp (1/4 turn) on the base
- Optional safety chain

ELECTRICAL:**Operating voltage:**

- 100-240V, 50/60 Hz

Power Supply:

- Electronic auto range with active PFC

MAX power consumption:

- 340 W

THERMAL SPECIFICATION:**MAX Ambient temperature:**

- 45°C (113°F)

Min Ambient Temperature:

- -20°C (-4°F)

MAX temp. of the ext. surface:

- 90°C (194°F)

Total heat dissipation:

- 1161 BTU/hr ±10% / 1224 kJ/hr ±10%

SAFETY SPECIFICATIONS:**Min. dist. of illum. objs:**

- 0,2 m (8")

Min. dist. from flamm. mat.:

- 0,2 m (8")

Protections:

- Thermally protected power supply (overheating and cooling failure)
- Forced ventilation with fans and heatsink
- Fuse T10A – 250V + battery fuse T10A 250V

COMPLIANCE:**CE Marking (in conformity to the following):**

- 2014/35/EU – Low Voltage Directive (LVD)
- 2014/30/EU – Electromagnetic Compatibility (EMC)
- 2011/65/EU - Restriction of the use of certain hazardous substances (RoHS)
- 2009/125/EC - EcoDesign requirements for Energy-related Products (ErP)

UKCA conforms to UK regulations:

- S.I. 2016 N. 1101
- S.I. 2016 N. 1091
- S.I. 2012 N. 3032
- S.I. 2021 N. 745

cmETLus LISTED:

- UL 1573:2003
- CSA C22.2 N.166:2015

PACKAGING:

- Carton box + Polystyrene
- Carton box + Foam shell
- Flight case + Foam shell (6 positions)

WEIGHT & SIZES:**Weight:**

- 12.194 Kg (26,88 lbs)

Base dim.s:

- 332 x 200 mm
- 13.07 x 7.87 In

Height with vert. head (h):

- 373 mm
- 14.68 In
- 420 mm with top hat
- 16.53 In with top hat

Dist. b/t 2 fixt:

- 400 mm

ACCESSORIES:**Omega bracket:**

- 1x433060/801 (Included)

Top hat:

- CA3066000102 (Included)

ETL Power:

- CAB02B-802 (Optional)*
* Cord 1.5 m (bare end with IP65 PowerConTrue1 conn.)

Flight case (6 pos):

- CF1036F (Optional)

Foam shell:

- F21339/001 (Optional)

Safety Chain:

- 105015/802 (Optional)

Clamp:

- C21070 (Optional)

PowerCon True1 con.:

- CON000 (Optional)