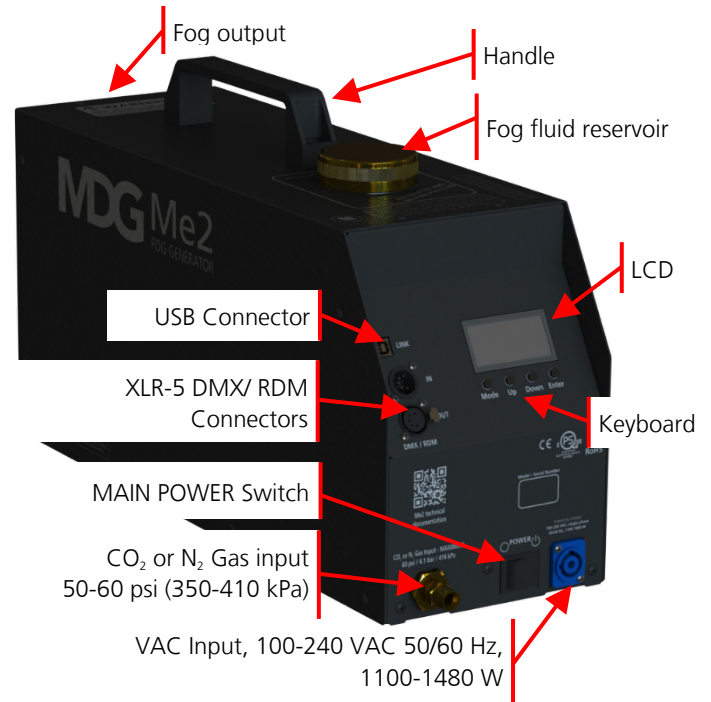


MDG Me2

Installation

- Connect the gas inlet to a gas bottle (CO₂ or N₂ industrial grade, over 99% of purity) equipped with a regulator. The gas inlet is an Oxygen Adaptor (9/16-18 R.H).
- Connect the data wiring (Male XLR-5 connector for DMX/RDM) if you are using a DMX or RDM controller.
- Fill the reservoir with **MDG Neutral Fog Fluid**.
- Connect the power cord 100-240 VAC, 50/60 Hz, 1415 W nominal (1100-1480 W).
- Open the gas bottle and **set the regulator pressure between 50 and 60 psi** (3.5-4.1 bar, or 350-410 kPa).

Power ON the MDG **Me2**.



Working with the keyboard (LOCAL Mode)

- Verify the communication mode in the « MODE ». When the «AUTO» mode is activated, the MDG **Me2** is then controlled by DMX, only if there is a signal. If the DMX wire is unplugged, the control remains local.
- When the generator is manually switched to «UNIT ON» mode («CONTROL ▶ UNIT ▶ ON»), the program starts the heating cycle for approximately 8 minutes («STATUS ▶ STATE = % HEAT»).
When the temperature reaches operating level, the Automatic Purging System™ (APST™) will be initiated («STATUS ▶ STATE = PURGE»). After the first purging cycle is completed (1 min), the generator is ready to produce fog («STATUS ▶ STATE = READY»).
- To produce Fog, switch the generator to «FOG ON» mode («CONTROL ▶ FOG ▶ ON»).
The MDG **Me2** will start to produce fog right away.
Fog emission can be controlled by adjusting the working pressure of the internal reservoir («CONTROL ▶ PRESSURE»).

Working with DMX/RDM Control (DMX Mode)

- Connect a DMX line to DMX In connector (Male XLR-5 connector).
- Select the communication mode in the «MODE ». When the «AUTO» mode is activated, the MDG **Me2** is then controlled by DMX, only if there is a DMX signal.
- Set the DMX Start Address in the « DMX, RDM » Menu (« DMX, RDM ▶ DMX ADDR») and choose any value between 1 and 510 (512, last DMX channel).
The DMX Start Address can be reassigned via a RDM control.

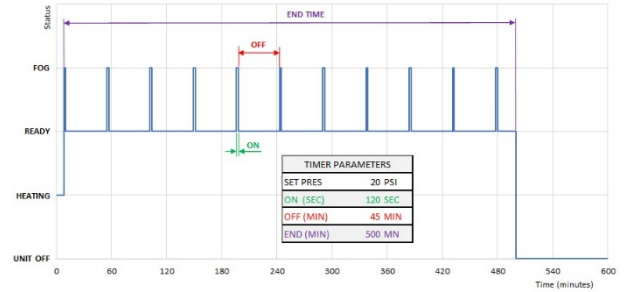
The generator uses three (3) DMX channels:

- Channel 1 **0 (0%) < UNIT OFF ≤ 128 (50%) < UNIT ON ≤ 255 (100%)**
- Channel 2 **0 (0%) – 255 (100%), FOG OUTPUT (from minimum to maximum)**
- Channel 3 **0 (0%) < FOG OFF ≤ 128 (50%) < FOG ON ≤ 255 (100%)**

Working with the TIMER control (TIMER Mode)

The MDG **Me1** program implements a **ON/OFF Cycle Timer**. In this mode, the generator is automatically switching to "UNIT ON" when powered ON, and the TIMER starts when the generator is READY with the following parameters:

- FOG emission during « **ON (SEC)** » delay, with an output defined by «**TIMER ▲SET PRES**» for the **Me1 personality**, or via the external regulator for the **MAX 3000 personality** (limited to 40 psi max),
- No FOG emission during « **OFF (MIN)**» delay.



If the « **END (MIN)** » delay is not at **Zero**, the generator is automatically switched to «**UNIT OFF**» mode when this delay is achieved. Otherwise the cycle is repeated indefinitely if «**TIMER □END (MIN) = 0** ».

Notes

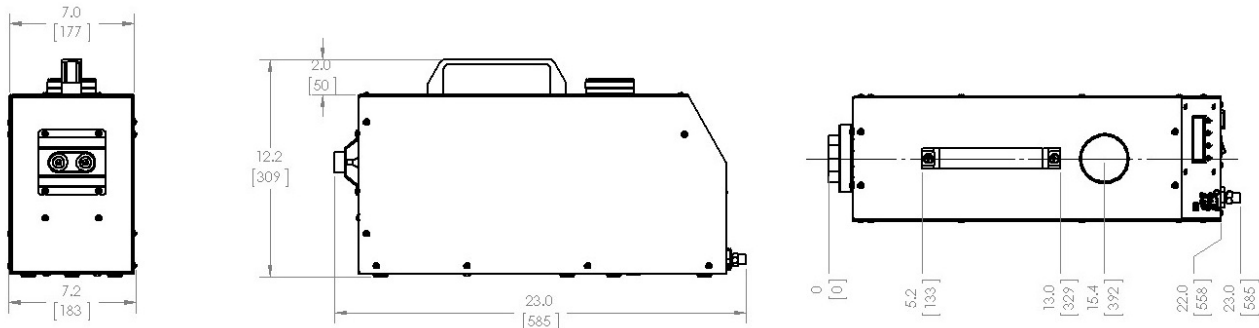
The MDG **Me2** will produce fog as long as the control parameters are within specifications, the fog fluid reservoir filled and the gas bottle pressurized.

If a critical problem occurs, the fog generator automatically shuts down and displays an error message in the Status Menu. The most common errors are (check the manual for more details):

- ERROR = P. LOW Gas bottle is probably closed, empty or not connected. Check also the regulator pressure. With CO₂ bottle, check your regulator is not frozen
- ERROR = P. HIGH The input gas pressure is too high (Pressure between 50-60 psi / 3.5-4.1 bar / 350-410 kPa).
- ERROR = HEATER Check the AC voltage, and the internal fuses.
- ERROR = PCB HIGH Move the generator to a colder location.

Technical Specifications

Maximum fog output (per minute)	200 m ³ (7,063 ft ³)
Fog color	Pure white
Particle size	0.5 to 0.7 microns
Fluid consumption	2 L (59.5 oz / 0.53 US gal) per hour at 2.76 bar / 40 psi
Fluid type	MDG Neutral™ Fog Fluid ONLY - S.D.S. available on request
Fluid reservoir	2.5 l (0.66 US gal) bottle
Gas type	Industrial Grade CO ₂ or N ₂
Gas pressure input	4.15 bar / 60 psi max
Gas consumption	2.68 kg (5.9 lb.) per hour at 2.76 bar / 40 psi
Operating voltage	100-240 VAC, 50/60Hz, 1 phase, 1415 W nominal (1100-1480 W) Ground / Earth connection REQUIRED
Operating conditions	0 °C to 50 °C (32 °F to 122 °F) - 90 % relative humidity @ 50 °C (122 °F), non-condensing
Storage conditions	-40 °C (-40 °F) to 60 °C (140 °F) - 80% relative humidity @ 60 °C (140 °F)
Approval	CE, CSA and UL (cQPSus LR1268), CB Scheme
Dimensions	30 cm (12") H x 18 cm (7") W x 61 cm (24") L
Weight:	17 kg (37 lb.)



... For further details, please read the **User Guide**.