

# VC-Feeder

MULTI PROTOCOL DRIVER BOX FOR VC-DOT SERIES

SPEC SHEET



## OVERVIEW

The VC-Feeder is a smart, multi-protocol driver box for the VC-Dot series. A compact design and IP65 rating make it perfectly suited for installation close to a string of VC-Dots. The VC-Feeder provides the string with clean, regulated power, even if the power supply is located far away. Compatibility with the P3 System Controller™ (via the P3 PowerPort 1500™ or PowerPort 1000 IP™) gives it high-quality image processing capabilities with extremely easy setup and configuration. For DMX operation, the VC-Feeder is also compatible with the Martin IP66 PSU 240W, Martin DMX PowerPort 375 or third-party 48V Power Supplies.

## FEATURES

- High-quality, 16-bit-per-color image processing technology
- IP65 rated for permanent outdoor or indoor use
- P3/DMX controllable (automatic protocol detection)
- Intuitive mapping and addressing via P3 System Controller family
- Hybrid power + data input (single cable for power and data input)
- Hybrid power + data thru (to daisy-chain multiple VC-Feeders)
- Hybrid power + data output (to a string of VC-Dots)
- Surface- and truss-mountable

## ORDERING INFORMATION

- VC-Feeder with BBD Connectors..... P/N 90357041

### RELATED ITEMS

- VC-Dot 1 RGB 100 mm pitch, 100 pcs., 2 m lead-in..... P/N 90357060
- VC-Dot 4 RGB 200 mm pitch, 64 pcs., 2 m lead-in..... P/N 90357100
- VC-Dot 9 RGB 400 mm pitch, 36 pcs., 2 m lead-in..... P/N 90357140
- P3 PowerPort 1500 ..... P/N 90721040
- P3 PowerPort 1000 IP Rental ..... P/N 90721070
- P3 PowerPort 1000 IP Installation ..... P/N 90721080
- Martin DMX PowerPort 375..... P/N 90721094
- Martin® IP66 PSU 240W..... P/N 90760330
- P3-050 System Controller ..... P/N 90721090
- P3-150 System Controller ..... P/N 90721015
- P3-300 System Controller ..... P/N 90721060
- Martin P3-PC™ System Controller ..... Free download at martin.com

# VC-Feeder

## MULTI PROTOCOL DRIVER BOX FOR VC-DOT SERIES

SPEC SHEET

### ORDERING INFORMATION ACCESSORIES

#### INPUT CABLES, BBD CONNECTORS:

- Hybrid P3 input cable, 4-pin male XLR to female BBD, 0.25 m (0.8 ft.) ..... P/N 91616046
- DMX and Martin® IP66 PSU 240W input cable, 5-pin male XLR plus Martin® IP66 240W PSU connector to female BBD, 0.25 m (0.8 ft.) ..... P/N 91616050
- DMX and generic 48 VDC PSU input cable, 5-pin male XLR plus two wire tails to female BBD, 0.25 m (0.8 ft.) ..... P/N 91616048
- DMX and hybrid P3 input cable, 5-pin male XLR + 4-pin male XLR to female BBD, 0.25 m (0.8 ft.) ..... P/N 91616049

#### OUTPUT CABLES, BBD CONNECTORS:

- Hybrid output cable for P3 systems, male BBD to 4-pin female XLR, 0.25 m (0.8 ft.) ..... P/N 91616047
- Hybrid output cable for DMX systems, male BBD to 5-pin female XLR, 0.25 m (0.8 ft.) ..... P/N 91616051

#### EXTENSION CABLES, BBD CONNECTORS, RENTAL TYPE:

- Hybrid extension cable, rental type, BBD to BBD, 1 m (3.2 ft.) ..... P/N 91616041
- Hybrid extension cable, rental type, BBD to BBD, 2.5 m (8.2 ft.) ..... P/N 91616024
- Hybrid extension cable, rental type, BBD to BBD, 5 m (16.4 ft.) ..... P/N 91616042
- Hybrid extension cable, rental type, BBD to BBD, 10 m (32.8 ft.) ..... P/N 91616043
- Hybrid extension cable, rental type, BBD to BBD, 25 m (82 ft.) ..... P/N 91616044

#### EXTENSION CABLES, BBD CONNECTORS, INSTALL TYPE:

- Hybrid extension cable, install type, BBD to BBD, 1 m (3.2 ft.) ..... P/N 91616055
- Hybrid extension cable, install type, BBD to BBD, 2.5 m (8.2 ft.) ..... P/N 91616056
- Hybrid extension cable, install type, BBD to BBD, 5 m (16.4 ft.) ..... P/N 91616057
- Hybrid extension cable, install type, BBD to BBD, 10 m (32.8 ft.) ..... P/N 91616058
- Hybrid extension cable, install type, BBD to BBD, 25 m (82 ft.) ..... P/N 91616059

See VC-Dot system diagrams for detailed information

#### EXTENSION CABLES, BBD CONNECTORS, LOW SMOKE ZERO HALOGEN TYPE:

- Hybrid extension cable, LSZH type, BBD to BBD, 1 m (3.2 ft.) ..... P/N 91616012
- Hybrid extension cable, LSZH type, BBD to BBD, 2.5 m (8.2 ft.) ..... P/N 91616013
- Hybrid extension cable, LSZH type, BBD to BBD, 5 m (16.4 ft.) ..... P/N 91616014
- Hybrid extension cable, LSZH type, BBD to BBD, 10 m (32.8 ft.) ..... P/N 91616015
- Hybrid extension cable, LSZH type, BBD to BBD, 25 m (82 ft.) ..... P/N 91616016

#### LOOSE BBD CONNECTORS:

- BBD connector, male ..... P/N 91611750
- BBD connector, female ..... P/N 91611751
- Set of 10 caps for female BBD connectors ..... P/N 91616052

#### BULK HYBRID CABLE:

- Hybrid cable, rental type, 100 m (328 ft.) ..... P/N 91616045
  - Hybrid cable, install CMX type, 100 m (328 ft.) ..... P/N 91616060
  - Hybrid cable, install LSZH type, 100 m (328 ft.) ..... P/N 91616017
- Hybrid cables carry both DC power and data over separate conductors. Rental type cables are suitable for temporary installations, install type cables are suitable for permanent installations.*

#### INSTALLATION HARDWARE:

- G-clamp for rigging truss attachment ..... P/N 91602003
- Half-coupler clamp for rigging truss attachment ..... P/N 91602005
- Quick trigger clamp for rigging truss attachment ..... P/N 91602007
- Safety Cable, SWL 60 kg, BGV C1 / DGUV 17, black ..... P/N 91604006
- Safety Cable, SWL 60 kg, BGV C1 / DGUV 17, silver ..... P/N 91604007

# VC-Feeder

MULTI PROTOCOL DRIVER BOX FOR VC-DOT SERIES

SPEC SHEET

## TECHNICAL SPECIFICATIONS

### CONTROL AND PROGRAMMING

Control options	Martin P3 System Controller™ via Martin P3 PowerPort 1500™ / Martin P3 PowerPort 1000 IP™ and/or DMX
Control modes	Adapts to detected product
Protocol detection	Automatic
Product detection	Automatic
Setting and addressing	P3 System Controller or RDM-compliant controller
DMX channels	Adapts to detected product
DMX compliance	USITT DMX512-A
RDM compliance	ANSI/ESTA E1.20
Firmware update	Via P3 System Controller

### CONTROL/USER INTERFACE

Device status	Multicolor status LED
Device test and reset	Pushbutton to call up local test patterns and reset device

### P3 VIDEO PROCESSING

Color resolution	16 bits per color (48 bit per pixel)
Color temperature control	2000K-11000K
Synchronization	System-wide
Frame rate	Up to 75 frames/sec
Brightness control	0-100% (at full color resolution)
Gamma Correction and Control	Fully controllable
Color Gamut Control	Fully controllable
LED ageing correction	Built-in

### CONSTRUCTION

Housing	Extruded aluminum
Protection rating	IP65
RoHS compliant	



### INSTALLATION

Orientation	Any
Surface mounting	Two M6 mounting slots
Truss mounting	M12 mounting hole for standard rigging clamp

### CONNECTIONS

Power & data input	180 mm cable with 6-pin BDD connector*
Power & data thru	180 mm cable with 6-pin BDD connector*
Power & data output	180 mm cable with 8-pin VC-Dot connector

\*Legacy model with M16 connectors available on request.

### ELECTRICAL

Nominal input voltage	48 VDC from Martin P3 PowerPort 1500™ / P3 PowerPort 1000 IP™ / DMX PowerPort 375 / IP66 PSU 240W or external PSU
Output voltage	15 VDC
Maximum total power consumption	135 W

### THERMAL

Cooling	Convection
Maximum ambient temperature (Ta max.)	55° C
Minimum ambient temperature (Ta min.)	-20° C
Total heat dissipation (calculated, +/- 10%)	46 BTU/hr. (not including display devices but with system at full load)
Thermal monitoring	Integrated temperature sensor allowing thermal protection shutdown

### APPROVALS

EEU safety	EN 60950
EU EMC	EN 55022, EN 55024, EN 61000-3-2, EN 61000-3-3
US safety	ANSI/UL 60950-1
Canadian safety	CSA C22.2 No. 60950-1



# VC-Feeder

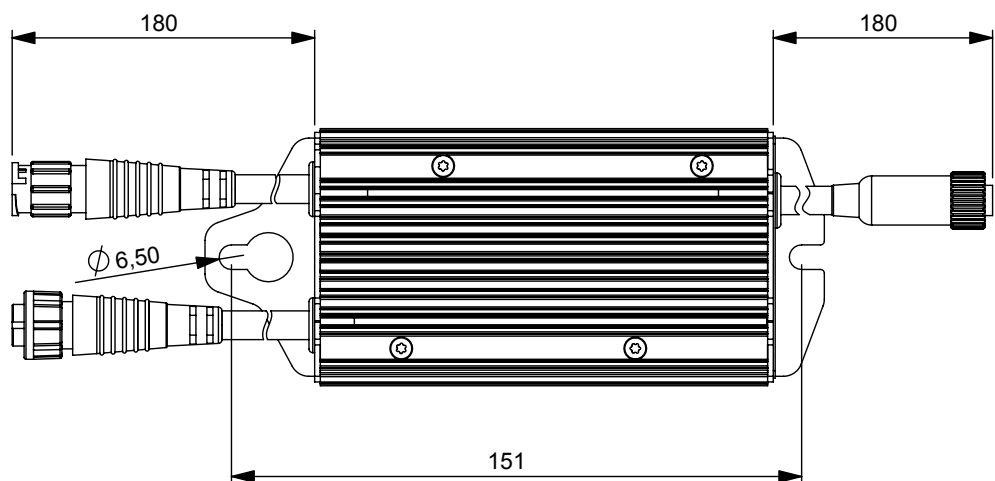
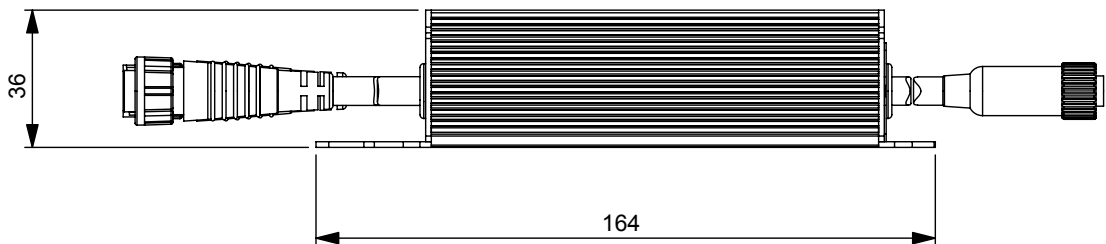
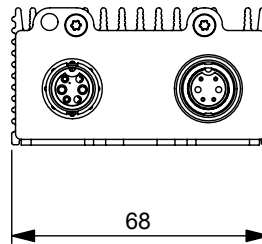
MULTI PROTOCOL DRIVER BOX FOR VC-DOT SERIES

SPEC SHEET

## DIMENSIONS

### PHYSICAL

Length.....	164 mm (6.5 in.) including mounting ears
Width.....	68 mm (2.7 in.)
Height.....	36 mm (1.5 in.)
Weight.....	590 g (1.3 lbs.)



All dimensions are in mm