

# Exterior Wash Pro S CTC

OUTDOOR RATED WASH LIGHT WITH COLOR TEMPERATURE CONTROL

SPEC SHEET



Engineered for harsh conditions and creativity, **Exterior Wash Pro S CTC** provides a logical, user-friendly and versatile lighting solution designed to illuminate smaller structures, features of a building and landscaping. Featuring external lenses and an optional baffle snoot, this fixture provides configurable beam control. Exterior Wash Pro S CTC offers dedicated color temperature control from 2400K - 6500K. Designed for permanent outdoor installations and backed by a 5-year warranty, this fixture meets rigorous environmental standards.

## FEATURES

- **Logic family** of four sizes and lumen packages (S, M, L, XL)
- **Compact** and slim design
- **Extended color temperature control** from 2400K - 6500K
- **More than 60 lm/W** efficacy
- **Narrow** beam-angle using high-power LEDs
- Optional **baffle snoot**
- Externally mounted **micro lens diffusers**
- **RDM and DMX** control
- **Local diagnostics** and focusing via magnetic sensor
- **Power and DMX IN/OUT** pre-mounted cables
- **Optional Hybrid IN/OUT** cable solution
- **Fully weatherized** housing (IP66, IK08 and C-5 High corrosion rating)
- Shipped in **FSC certified** cardboard packaging
- **5-year** warranty

HARMAN PROFESSIONAL INC. • 8500 BALBOA BOULEVARD • NORTHRIDGE • CA 91329 • USA • +1 818 893 8411

©2023 HARMAN Professional. All rights reserved. Martin is a registered trademark of HARMAN Professional Inc. registered in the United States and/or other countries. Features, specifications, and appearance are subject to change without notice.

REV: 20231227

**Martin**<sup>®</sup>

# Exterior Wash Pro S CTC

OUTDOOR RATED WASH LIGHT WITH COLOR TEMPERATURE CONTROL

SPEC SHEET

## FEATURE HIGHLIGHTS

### LOGICAL AND COHESIVE PRODUCT FAMILY

Choose from four sizes and lumen output packages that accommodate various installations and budgets. Enjoy a compact, lightweight design with integrated baffle snoot option for added versatility.

### PRECISE BEAM CONTROL

Achieve precise light control and high intensity, while minimizing stray light in long-range applications, thanks to the narrow beam angle.

### EXTENDED COLOR TEMPERATURE RANGE

Exterior Wash Pro CTC models feature warm (2400K), Medium (4000K) and Cold (6500K) LEDs for extended color temperature range and improved white light quality.

### SUPERIOR TEMPERATURE CONTROL

Dedicated control channel to choose a color temperature from a warm 2400K up to a cold 6500 Kelvin.

### SMART CONTROL

The integrated magnetic sensor is ideal for local diagnostics and focusing. Also included are RDM control and stand-alone programming via Martin Companion for easy configuration.

### RESPONSIBLE CHOICE

Durable design for permanent outdoor installations, backed by a 5-year warranty, and meet rigorous environmental standards. Their compact, lightweight design minimizes environmental impact and shipping costs, they are fully repairable, and ship in full cardboard FSC-certified packaging.

## TECHNICAL SPECIFICATIONS

### DYNAMIC EFFECTS

Intensity: ..... 0 - 100 %  
Color temperature control: ..... 2400 K - 6500 K

### CONTROL AND PROGRAMMING

Control systems: ..... DMX, RDM  
User interface: ..... Magnetic sensor for local diagnostics and focusing  
Stand-alone control: ..... Up to 20 scenes with individual fade/hold times  
Control resolution: ..... 8-bit DMX control of each color  
Dimmer resolution: ..... 16-bit DMX control of intensity  
DMX channels: ..... 3/3 (Standard/Basic)  
DMX compliance: ..... USITT DMX512/1990  
RDM compliance: ..... ANSI/ESTA E1.20  
DMX/RDM Transceiver: ..... Galvanic-isolated RS-485  
Firmware update: ..... Serial upload via DMX link

### OPTICS

Light source: ..... 3 x 2400K, 3 x 4000K, 3 x 6500 K white color LEDs  
LED Manufacturer: ..... Cree  
Minimum LED lifetime: ..... 100 000 hours (to >70% luminous output)\*  
Binning: ..... Tight color and flux binning  
\*Figure obtained under manufacturer's test conditions at  $T_a = 25^\circ C$ .

### BEAM ANGLE OPTIONS:

Native beam angle: ..... 7°  
Narrow micro lens: ..... 9°  
Medium micro lens: ..... 15°  
Wide micro lens: ..... 30°  
Very Wide micro lens: ..... 50°  
Asymmetric micro lens ..... 8° x 60°

### PHOTOMETRIC DATA

CRI (Color Rendering Index): ..... > 70  
CCT: ..... 2400K - 6500K (default 4000K)

### LUMINOUS OUTPUT\*

2400K: ..... 1100 lm  
4000K: ..... 2200 lm  
6500K: ..... 1700 lm

\* All Photometric Data measured in steady state (30 minutes warm-up time) at 25°C ambient.

### CONSTRUCTION

Housing: ..... Cast Aluminum  
Surface treatment: ..... Anodized and electrostatic powder-coated  
Color: ..... Traffic grey RAL 7042 - other colors available on request  
Effective Projected Area (EPA): ..... 0.026 m<sup>2</sup> / 0.038 m<sup>2</sup>  
Protection rating: ..... IP66  
Impact resistance: ..... IK08  
Corrosion resistance: ..... C5 High (ISO 12944-6)  
Vibration resistance: ..... 1.0g, Sinusoidal (IEC 60068-2-6), 0.7g RMS Random (IEC 60068-2-64), 3.0g (ANSI C136-31)

### INSTALLATION

Orientation: ..... Any  
Mounting: ..... Adjustable bracket  
Minimum distance to illuminated surfaces: ..... 0.1 m (0.3 ft.)

# Exterior Wash Pro S CTC

OUTDOOR RATED WASH LIGHT WITH COLOR TEMPERATURE CONTROL

SPEC SHEET

## TECHNICAL SPECIFICATIONS (Cont.)

### CONNECTIONS

Power connection: ..... 2 m (6.5 ft.) cable tail open ended  
Power input cable type, EU models: .... H07RN-F 3G 1.0mm<sup>2</sup>, 450/750V, VDE  
Power input cable type, US models: .... PVC SJTW 3x1.31mm<sup>2</sup> (16AWG) 105° C  
300V VW-1  
Data connection: ..... 2 m (6.5 ft.) open ended 6-conductor  
combined input + output cable tail

*Hybrid power/data cables (in & thru) 8-pin custom connectors available on request*

### ELECTRICAL

AC power: ..... 100 -240 / 277 V nominal, 50/60 Hz  
Power supply unit: ..... Auto-ranging electronic switch-mode  
Typical half-cycle RMS inrush current: 12 A  
Max earth leakage: ..... 0.5 mA  
Power factor: ..... 0.99 @ 110 V / 120 V, 0.94 @ 208 V /  
230V, 0.92 @ 277 V  
Max current draw: ..... 0.35 A @ 100 V, 0.29 A @ 120 V, 0.15 A @  
230 V, 0.13 A @ 277 V  
Surge protection: ..... 4KV

### POWER CONSUMPTION

Maximum: ..... 35 W (Reduced mode 28W)\*  
Idle: ..... 2.0 W\*

*\* Measurements made at nominal voltage. Allow for a deviation of +/- 10%.  
Idle: all LEDs at zero intensity*

### THERMAL

Cooling: ..... Convection  
Maximum ambient temperature: ..... 45° C (113° F)\*  
Minimum ambient temperature: ..... -30° C (-22° F)\*\*  
Total heat dissipation: ..... (calculated, +/- 10%): 119 BTU/hr

*\*Above this temperature, the fixture regulates output to protect from overheating.*

*\*\*Power must be maintained below -20° C (-4° F)*

### ENVIRONMENTAL

RoHS: ..... Compliant  
REACH: ..... Compliant  
WEEE: ..... Compliant  
Proposition 65: ..... Compliant  
Packaging: ..... FSC certified cardboard inlay  
and outer box  
Efficacy (max output): ..... 65 lm/W  
LWR: ..... 500 lm/kg (277 lm/lb)\*

*\*LWR = Lumen-to-Weight Ratio*

### APPROVALS

Global CB Certification/IECEE: ..... IEC 60598-2-5 (IEC 60598-1)  
EU Safety: ..... EN 60598-2-5 (EN 60598-1),  
EN 62471, EN 62493  
EU EMC: ..... EN 55015, EN 55032, EN55035,  
EN 61547, EN 61000-3-2, EN 61000-3-3  
US safety: ..... ANSI/UL 1598  
US EMC: ..... 47 CFR Part 15 Class B  
Canadian safety: ..... CSA C22.2 No. 250.0  
Australia/NZ: ..... RCM  
United Kingdom: ..... UKCA  
India: ..... BIS IS 10322 (Part5/section5) - Pending



## RELATED ITEMS

- Martin Companion Cable: .....P/N MAR-91616091



HARMAN PROFESSIONAL INC. • 8500 BALBOA BOULEVARD • NORTHRIDGE • CA 91329 • USA • +1 818 893 8411

©2023 HARMAN Professional. All rights reserved. Martin is a registered trademark of HARMAN Professional Inc. registered in the United States and/or other countries. Features, specifications, and appearance are subject to change without notice.

REV: 20231227

**Martin**

# Exterior Wash Pro S CTC

OUTDOOR RATED WASH LIGHT WITH COLOR TEMPERATURE CONTROL

SPEC SHEET

## ORDERING INFORMATION - ACCESSORIES

- Micro Lens Pro S - Narrow: .....P/N MAR-90590026
- Micro Lens Pro S - Medium: .....P/N MAR-90590027
- Micro Lens Pro S - Wide:.....P/N MAR-90590028
- Micro Lens Pro S -Very Wide: .....P/N MAR-90590029
- Micro Lens Pro S - Asymmetric:.....P/N MAR-90590030
- Baffle Snoot Pro S CTC: .....P/N MAR-90590021
- Exterior Wash Pro Multi-tool: .....P/N MAR-90590025
- Hybrid PD cable tail In/Out 0.5 m, black:.....P/N MAR-91700020
- Attachment plate for safety wire.....P/N MAR-90590050



EXTERIOR WASH PRO MULTI-TOOL



BAFFLE SNOOT PRO S CTC



EXTERIOR WASH PRO MICRO LENS



ATTACHMENT PLATE FOR SAFETY WIRE INSTALLED

## ORDERING INFORMATION - FIXTURES

- Exterior Wash Pro S CTC, EU, grey: .....P/N MAR-90590009
- Exterior Wash Pro S CTC, US, grey: .....P/N MAR-90590013



THE COMPLETE MARTIN EXTERIOR WASH PRO CTC LINE

# Exterior Wash Pro S CTC

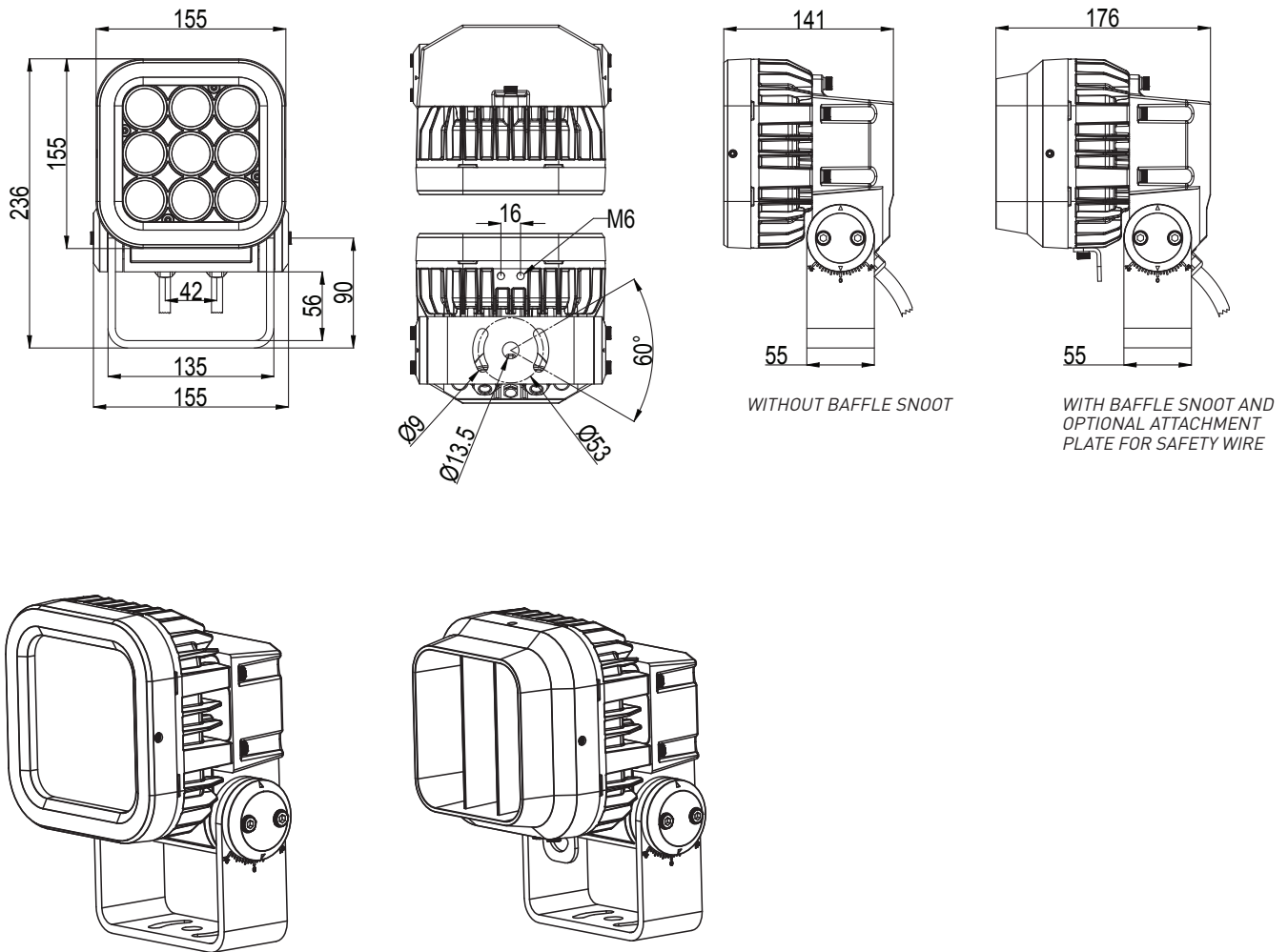
OUTDOOR RATED WASH LIGHT WITH COLOR TEMPERATURE CONTROL

SPEC SHEET

## DIMENSIONS

### PHYSICAL

Length: ..... 141 mm (5.55 inch.)  
Width: ..... 155 mm (6.10 inch.)  
Height: ..... 236 mm (9.65 inch.)  
Weight: ..... 4.4 kg (9.7 lbs)



All dimensions are in mm