

ERA 150 WASH

MOVING-HEAD LED WASH FIXTURE WITH ZOOM

SPEC SHEET



The Martin ERA 150 Wash moving-head LED wash fixture provides class-leading lumen output, high-intensity narrow zoom and full-gamut color calibration for accurate color reproduction and color temperature control, making it an incredibly versatile yet affordable workhorse lighting solution for rentals, installs and touring.

The ERA 150 Wash takes performance even further thanks to a newly designed optical system that produces a wider zoom range, higher output and wide uniform wash field. Other advancements include advanced color-calibration features including extended color mode and a CTC channel that can modify RGB channels.

Whether lighting a theatre production, live concert, exhibition or corporate event, fill the stage with color and create brilliant focused beam effects with this flexible moving-head fixture that brings new versatility to the designers' toolbox.

KEY MESSAGES

CLASS-LEADING LUMEN OUTPUT

The ERA 150 Wash delivers a stunning 3,900 lumens—twice the brightness of the previous generation of compact wash moving heads—thanks to its newly designed 7 x 40W RGBW light engine. This superior output covers larger stages that require longer throw distances.

HIGH-INTENSITY NARROW ZOOM FOR VERSATILE EFFECTS

The ERA 150 Wash's newly designed zoom system can produce precise beam angles as narrow as 4 degrees, delivering a high intensity of over 370,000 cd. It's perfect for creating sharp, punchy mid-air beams, cutting through light levels previously not possible in a wash fixture of its size.

FULL-GAMUT COLOR CALIBRATION

The ERA 150 Wash features a full-gamut color calibration system, which allows consistent color reproduction from fixture to fixture and supports a dedicated color temperature control channel for adjusting the color space from the desired color temperature.

ULTRA-QUIET OPERATION

In Theatre mode, the ERA 150 Wash operates at 33 dB—literally as soft as a whisper.

TOUR READY

The ERA 150 Wash is housed in a lightweight yet durable chassis, and offers a USB firmware update system and battery backup display.

HARMAN PROFESSIONAL INC. | 8500 BALBOA BOULEVARD | NORTHRIDGE | CA 91329 | USA | +1 818 893 8411

©2022 HARMAN Professional. All rights reserved. Martin® is a registered trademark of HARMAN Professional Inc. registered in the United States and/or other countries. Features, specifications, and appearance are subject to change without notice. Rev. 03.28.2022

Martin[®]
by HARMAN

ERA 150 WASH

MOVING-HEAD LED WASH FIXTURE WITH ZOOM

SPEC SHEET

ORDERING INFORMATION

MODELS

- ERA 150 Wash in cardboard box P/N MAR-90290000

INCLUDED ITEMS

- Martin Omega bracket for rigging clamp attachment P/N 91602001

RELATED ITEMS

- Martin Companion software suite (incl. firmware uploader) Free download from www.martin.com
- Martin Companion Cable USB/DMX hardware interface P/N 91616091



HARMAN PROFESSIONAL INC. | 8500 BALBOA BOULEVARD | NORTHRIDGE | CA 91329 | USA | +1 818 893 8411

©2022 HARMAN Professional. All rights reserved. Martin® is a registered trademark of HARMAN Professional Inc. registered in the United States and/or other countries. Features, specifications, and appearance are subject to change without notice. Rev. 03.28.2022



ERA 150 WASH

MOVING-HEAD LED WASH FIXTURE WITH ZOOM

SPEC SHEET

ACCESSORIES

POWER INPUT CABLES

- Power Input Cable, H07RN-F, 2.5 mm², 14 AWG, bare ends to TRUE1 NAC3FX-W (female), 1.5 m (4.9 ft.)..... P/N 91611797
- Power Input Cable, H07RN-F, 2.5 mm², 14 AWG, bare ends to TRUE1 NAC3FX-W (female), 5 m (16.4 ft.)..... P/N 91611786
- Power Input Cable, SJ00W, 12 AWG, bare ends to TRUE1 NAC3FX-W (female), 1.5 m (4.9 ft.)..... P/N 91610173
- Power Input Cable, SJ00W, 12 AWG, bare ends to TRUE1 NAC3FX-W (female), 5 m (16.4 ft.)..... P/N 91610174

POWER RELAY CABLES, 16 A

- Power Relay Cable, H07RN-F, 2.5 mm², TRUE1 to TRUE1, 0.45 m (1.5 ft.)..... P/N 91611784
- Power Relay Cable, H07RN-F, 2.5 mm², TRUE1 to TRUE1, 1.2 m (3.9 ft.)..... P/N 91611785
- Power Relay Cable, H07RN-F, 2.5 mm², TRUE1 to TRUE1, 2.5 m (8.2 ft.)..... P/N 91611796
- Power Relay Cable, SJ00W, 12 AWG, TRUE1 to TRUE1, 0.45 m (1.5 ft.)..... P/N 91610170
- Power Relay Cable, H07RN-F, 2.5 mm², TRUE1 to TRUE1, 1.2 m (3.9 ft.)..... P/N 91610171
- Power Relay Cable, H07RN-F, 2.5 mm², TRUE1 to TRUE1, 2.5 m (8.2 ft.)..... P/N 91610172

POWER CONNECTORS

- Cable Connector, Neutrik powerCON TRUE1 NAC3FX-W TOP (female) P/N 91611789HU
- Cable Connector, Neutrik powerCON TRUE1 NAC3FX-W TOP (male) P/N 91611788HU

INSTALLATION HARDWARE

- Hand-coupler Clamp P/N 91602005
- G-clamp (suspension vertically downwards only) P/N 91602003
- Quick-trigger clamp (suspension vertically downwards only) P/N 91602007
- Safety cable, safe working load 50 kg..... P/N 91604003



HARMAN PROFESSIONAL INC. | 8500 BALBOA BOULEVARD | NORTHRIDGE | CA 91329 | USA | +1 818 893 8411

©2022 HARMAN Professional. All rights reserved. Martin® is a registered trademark of HARMAN Professional Inc. registered in the United States and/or other countries. Features, specifications, and appearance are subject to change without notice. Rev. 03.28.2022

Martin[®]
by HARMAN

ERA 150 WASH

MOVING-HEAD LED WASH FIXTURE WITH ZOOM

SPEC SHEET

TECHNICAL SPECIFICATIONS

DYNAMIC EFFECTS

Color mixing	RGBW
Color presets	48 color presets, virtual color wheel effects
Color temperature control	Variable 2,800 - 10,000 K
Electronic dimming	0 - 100%, four dimming curve options
Strobe and pulse effects	Variable speed and action, random strobe
Electronic 'shutter' effect	Instant open and blackout
Zoom	Motorized, 4.2° - 58°
Pan	540°
Tilt	260°

CONTROL AND PROGRAMMING

Control options	DMX, RDM
DMX channels	18
16-bit fine control	Dimming, RGB, zoom, pan and tilt
LED color management modes	Raw, extended and calibrated
DMX address setting	Control panel with LCD display
DMX compliance	USITT DMX512-A
RDM compliance	ANSI/ESTA E1.20

OPTICS

Light source	7 x 40 W RGBW Osram LEDs
Minimum LED lifetime	50,000 hours (to >70% luminous output)*
Beam angle (half-peak)	4.2° - 38.7°
Field angle (one-tenth peak)	5.1° - 58.6°
Cutoff angle (3%)	5.7° - 69.6°
Binning	Tight color and flux binning
Calibration	Full Gamut Color Calibration

*Figure obtained under manufacturer's test conditions

CONSTRUCTION

Housing	High-impact flame-retardant thermoplastic
Color	Black
Protection rating	IP20

INSTALLATION

Mounting points	2 x quarter turn fastener receptacles, 106.5 mm
Location	Indoor use only, must be fastened to surface or structure
Orientation	Any
Minimum distance to combustible materials	0.5 m (1.7 ft.)
Minimum distance to illuminated surfaces	1 m (3.3 ft.)
Minimum clearance around fans and vents	0.5 m (1.7 ft.)

CONNECTIONS

AC power in/thru	Neutrik PowerCON TRUE1 TOP
DMX data in/thru	Neutrik 5-pin locking XLR

ELECTRICAL

AC power	100-240 VAC (nominal), 50/60 Hz
Typical power consumption	315 W
Typical half-cycle RMS inrush current at 240 VAC	8.7 A
Power supply unit	Auto-ranging electronic switch mode
Recommended Miniature Circuit Breaker*	Type D

*Per IEC 60898/UL489/CSA C22.2 No. 5

ERA 150 WASH

MOVING-HEAD LED WASH FIXTURE WITH ZOOM

SPEC SHEET

TECHNICAL SPECIFICATIONS

MAXIMUM POWER AND CURRENT

100-120 V, 60 Hz 3.3 A, 340 W, Power factor 0.993
200-240 V, 50 Hz 1.5 A, 340 W, Power factor 0.966

**Measurements made at nominal voltage with all LEDs at full intensity.
Allow for a deviation of +/- 10%.*

THERMAL

Cooling Forced air (temperature regulated,
low noise)

Maximum ambient
temperature (Ta max.) 40° C (104° F)

Minimum ambient
temperature (Ta min) -10° C (14° F)

Total heat dissipation* 1195 BTU/hr.

**Calculated, +/- 10%, at full intensity, full white*

APPROVALS

Global CB Certification/IECEE IEC 60598-2-17 (IEC 60598-1)
EU safety EN 60598-2-17 (EN 60598-1), EN 62471,
EN 62493
EU EMC EN 55015; EN 55032; EN 55035;
EN 61000-3-2, EN 61000-3-3, EN 61547
US safety UL 1573
US EMC FCC Part 15 Class B
Canadian safety CSA C22.2 No. 166
Canadian EMC ICES-003 Class B, ICES-005 Class B
Australia/NZ RCM
United Kingdom UKCA



ERA 150 WASH

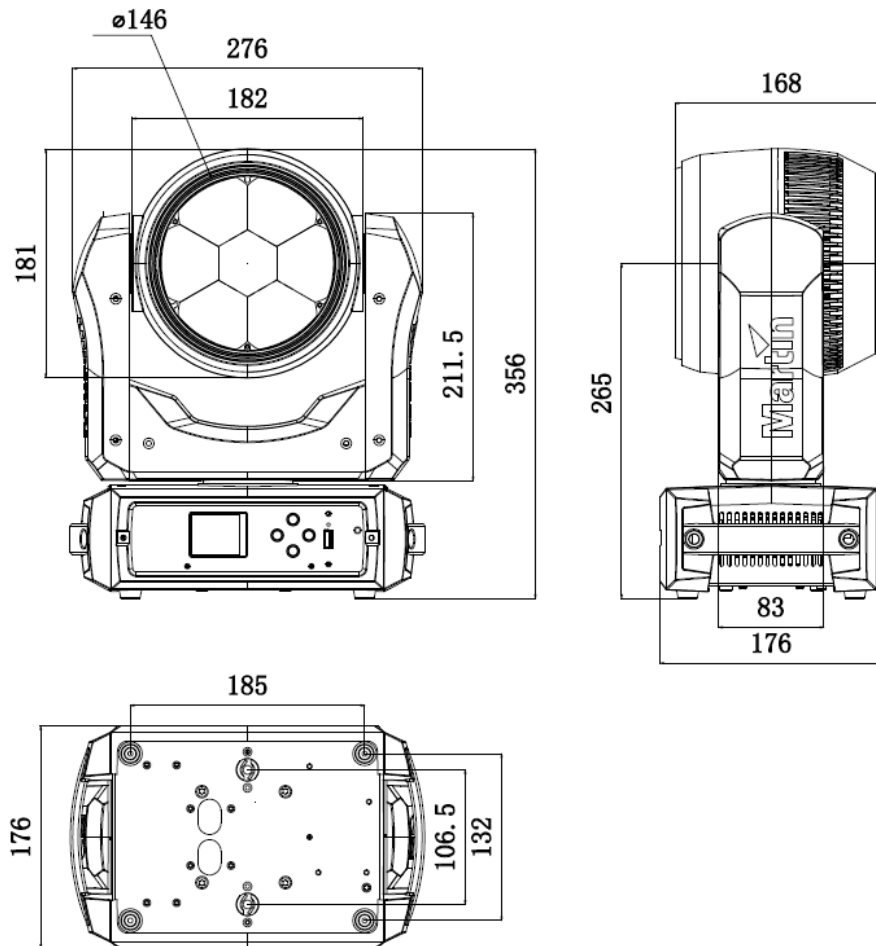
MOVING-HEAD LED WASH FIXTURE WITH ZOOM

SPEC SHEET

DIMENSIONS

PHYSICAL

Dimensions
Including Bracket (L x W x H) 276 x 176 x 356 mm (10.9 x 7.0 x 14.1 in.)
Weight 7.3 kg (16.1 lbs.)



HARMAN PROFESSIONAL INC. | 8500 BALBOA BOULEVARD | NORTHRIDGE | CA 91329 | USA | +1 818 893 8411

©2022 HARMAN Professional. All rights reserved. Martin® is a registered trademark of HARMAN Professional Inc. registered in the United States and/or other countries. Features, specifications, and appearance are subject to change without notice. Rev. 03.28.2022

