

Instruction manual



from hazebase



Scope of delivery

- Hazer²
- 1 liter empty canister
- 1 liter Base*V Fluid
- Fuel tank cap with quick coupling
- Power cord with TrueOne plug
- Instruction manual

Please check the completeness of the delivery

content

- 1. Introduction.....3
- 2. safety instructions.....4
- 3. Designation of the parts.....5
- 4. Preparation.....6
 - 4.1 Select of the location.....6
 - 4.2 Changing the fluid bottle.....6
 - 4.3 Air baffle.....6
- 5. haze fluid.....7
- 6. Working with the Hazer².....7
 - 6.1 Control panel of the hazer².....8
 - 6.2 Operation in the stand-alone mode.....8
 - 6.3 Operation via DMX512/RDM.....9
 - 6.4 Operation via cable remote (option).....10
 - 6.5 Operation via radio remote (option).....10
- 7 options menu.....12
 - 7.1 Setting the communication protocol of the XLR jacks.....12
- 8. Care and maintenance.....13
- 9. Troubleshooting.....14
- 10. Technical data.....15
 - 10.1 Hazer².....15

1. Introduction

The Hazer² is a latest generation haze generator. It offers a variety of possibilities to show your light effects even better.

The Hazer² is used to generate haze. Thus, the atmospheric effect can be created, which is necessary for an appealing light show.

Due to the adjustability of pump power, fan speed and blow-out angle, almost any desired haze density can be generated.

A newly developed vegan, highly concentrated fluid is used. This produces the finest droplets with maximum lifetime in the air.

The extremely quiet and adjustable fan allow the use in areas where ambient noise is disturbing.

The Hazer² also offers several control options. In addition to the direct operation at the device by means of a membrane keypad, the haze generator can be controlled via DMX512/RDM, as well as via wired and wireless remote controls (optionally available).

The 1 liter fluid bottle lasts from approximately 80 hours at minimum settings to 5 hours at maximum output.

The Hazer²'s directly heated vaporizer is up to operating temperature in less than 10 seconds and requires only 350W despite extremely high output.

It's wide range input (100V-240V AC) allows it to be used anywhere in the world.

2. safety instructions

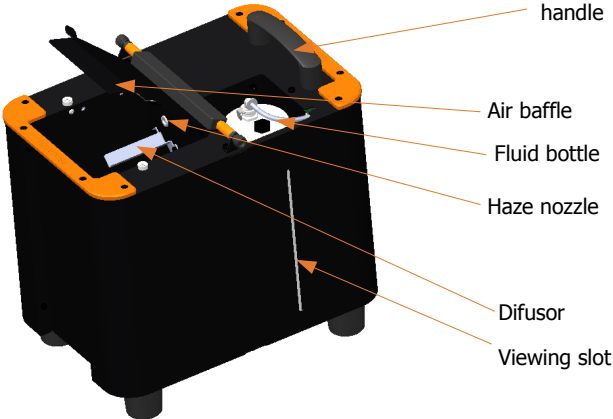
- Very hot steam escapes from the mist outlet. Caution: **Danger of burns!**
- During the fogging process, very hot fluid droplets may occasionally escape from the fog outlet opening. Therefore, there must be no persons or heat-sensitive objects within a distance of 1.5 m from the fog outlet opening.
- Never handle the mist outlet opening during operation or when it is activated.
- The device must be set up in a place that is not sensitive to heat. Keep a minimum distance of 60 cm from flammable, combustible and heat-sensitive objects.
- The fog fluid used contains glycerine, which burns with a slightly bluish, almost invisible flame. Therefore, never mist into strong ignition sources such as open fires.
- Never open the device connected to a power source.
- During operation, sporadic leakage of hot fluid droplets is possible. Care should therefore be taken to ensure that these cannot become a hazard to people. Keep a safety distance of 3m to the fog outlet nozzle.
- Do not ingest the fog fluid and keep it away from children. In case of eye contact, rinse with plenty of water. In case of accidental ingestion, consult a physician.
- Spilled or splashed fluid may cause slipping hazard. Absorb fluid and dispose of as directed.
- Do not allow visibility to drop below 2m, you are responsible for persons moving in the fogged area.
- The generated fog may set off smoke detectors.

The method used here to generate artificial fog is largely harmless and is used worldwide in the entertainment sector. We are not aware of any case in which a healthy person has been harmed by the use of this artificial fog.

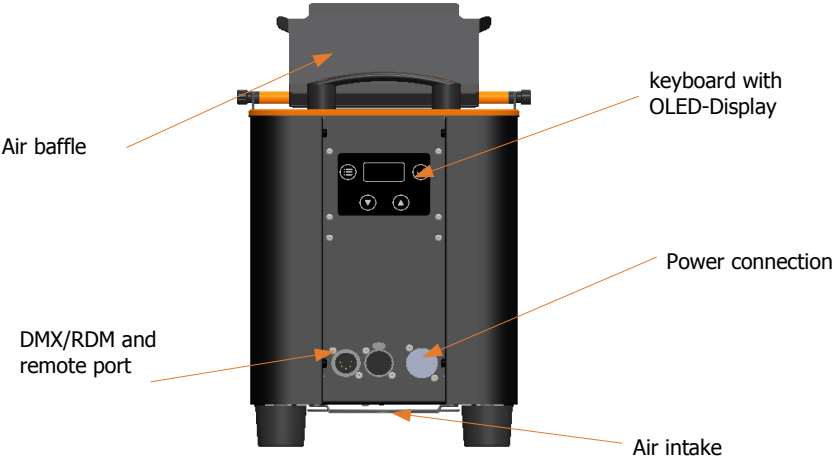
Nevertheless, we recommend that people who are ill or have previous respiratory damage or a tendency to allergies avoid contact with artificial fog!

3. Designation of the parts

Top view



back view



4. Preparation

4.1 Select of the location

The location where the Hazer² is operated must

- have good ventilation, with cold and fog-free air
- be dry
- be vibration and shock free
- consist of a non-flammable footprint
- be far enough away from easily flammable objects
- have an ambient temperature between 5°C and 45°C
- have a relative humidity of less than 80%.

4.2 Changing the fluid bottle

- Release the plug-in nozzle from the quick coupling by pressing the locking button
- Hold the suction hose by the edge in the slot provided for it
- Remove the fluid bottle from the tank holder
- Unscrew the tank cap from the empty bottle and screw it onto a new, or full, bottle.
- Push the fluid bottle back into the tank holder.
- Re-insert the plug-in nozzle into the tank cap.

4.3 Air baffle

The Hazer² is equipped with a swiveling air baffle. This can be used to adjust the angle of the discharge direction. For transport, the air baffle can be folded shut and is held in place by magnets.

The Hazer² may only be operated with the air baffle open.

5. haze fluid

Please use only the original base*V Fluid for the Hazer².

6. Working with the Hazer²

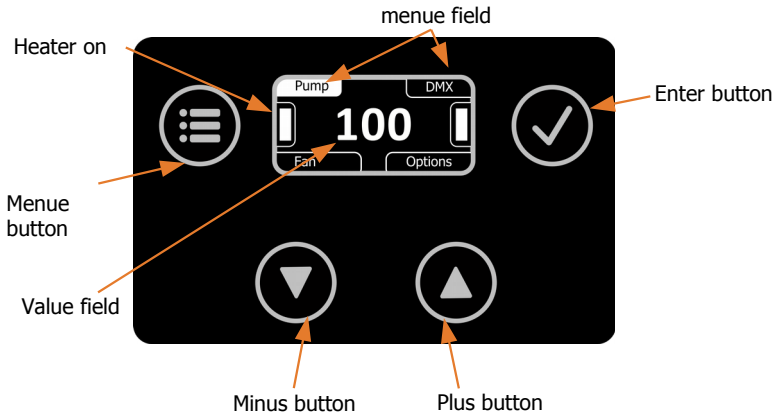
The Hazer² is a latest generation haze generator. It can be used to generate anything from the finest haze to a fog-like effect.

The effect can only build up slowly. Therefore, you should switch on the device some time before use.

Please ensure that no objects are placed either at the air inlet or at the outlet so that a free so that free circulation is possible. The air baffle must also be open.

After plugging in the power plug, the main menu appears. The machine does not heat up yet, as this takes less than ten seconds and only takes place if required.

6.1 Control panel of the hazer²



The Hazer² is operated via the four push buttons (menu, minus, plus, confirmation) and the OLED display. The menu fields are located in the corners of the display, and the value field in the center, which displays the value of the selected menu field. The menu key is used to select the individual menus counterclockwise. With the help of the plus and minus keys, the corresponding value can then be changed and then saved with the confirmation key.

On the left and right side of the screen, the white bars indicates whether the heater is activated. In the switch-off process, these bars become smaller and smaller until finally the heater and the air pump are deactivated. This evaporates any fluid drops still in the heating element.

6.2 Operation in the stand-alone mode

The simplest case of control is the stand-alone mode. For this, the pump value is set to the desired value and the confirmation key is pressed. The heating element is heated up and the haze process starts after a few seconds as soon as the correct temperature is reached.

The pump value can also be changed during the haze process.

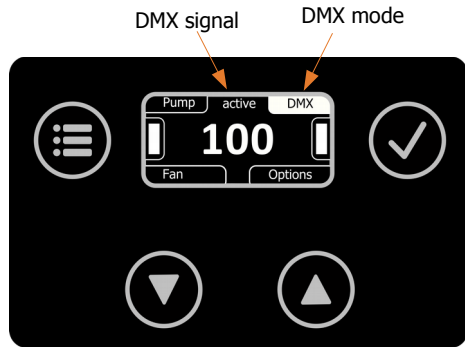
Pressing the confirmation key again stops the haze process again.

The same applies to the setting of the fan value.

6.3 Operation via DMX512/RDM

When operating via DMX512, the XLR input must first be set to DMX (see chapter Options).

As shown, "DMX" appears in the upper right menu field. The DMX address can be changed with the plus and minus keys and must be stored afterwards with the confirmation key.



If a valid DMX signal is present, this is indicated at the top center with "active". The currently read pump value can be displayed by selecting the pump menu item. If the received value is greater than zero, the Hazer² starts the haze process and stops it accordingly at the value zero.

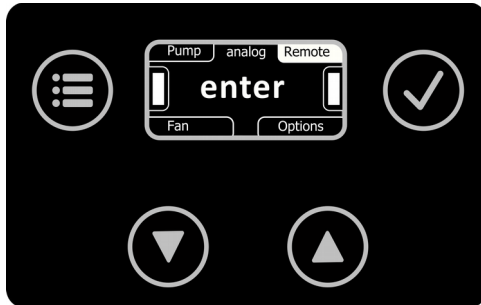
The Hazer² has two DMX channels. Channel 1 is assigned to the pump, channel 2 sets the fan speed.

Via RDM the Hazer² is configurable (DMX address) as well as readable (error or temperature data). Furthermore, a firmware update can be done via this RDM input.

6.4 Operation via cable remote (option)

When operating via the cable remote, the XLR input must first be set to Remote (see chapter Options).

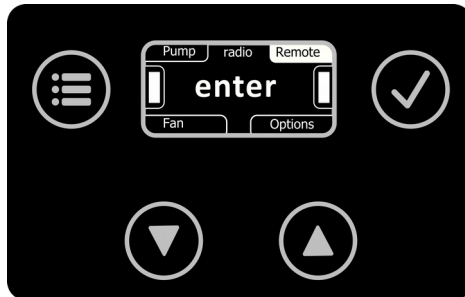
After plugging in the cable remote control, the Hazer² automatically recognizes that an analog cable remote control has been plugged in. On the cable remote control there is a power switch and a potentiometer for setting the pump value. The fan speed must still be set on the device.



6.5 Operation via radio remote (option)

When operating via radio remote control, the XLR input must first be set to Remote (see chapter Options).

After plugging in the radio remote control, the Hazer² automatically recognizes that a radio remote control has been plugged in.



Up to 60 different radio remote transmitters can be programmed on the machine. For this purpose, the "Remote" submenu must first be selected.



In the Remote submenu, the menu fields are replaced. At the top left, the channel (key on the hand-held transmitter) can be selected. At the bottom left, a new radio remote transmitter is taught-in and at the bottom right, the taught-in hand-held transmitters are deleted again.

A new hand-held transmitter is taught as follows. First select the menu item add and confirm this with the confirmation key. „Adding“ now appears at the bottom left. The machine now waits for a valid radio signal. To do this, press any key on the handheld transmitter. The teach-in process is now complete and "add" appears again at the bottom left. You can then select the key and save it.

To delete the already taught-in handheld transmitters, select the menu item "del" and confirm it. At the bottom right, "deleting" now appears. The deleting process is now in progress. The display changes back to "del" after a successful deleting process.

To exit the submenu, the menu item "exit" must be selected and confirmed with the confirmation key.

7 options menu

In the submenu "options" the protocol of the XLR sockets can be selected.

7.1 Setting the communication protocol of the XLR jacks

In the menu item "Input" the communication protocol of the XLR sockets can be selected. The following protocols can be selected here:

- DMX/RDM
- Remote (cable or radio)

Please select the desired protocol and confirm it with the confirmation button.

8. Care and maintenance

- Avoid running the Hazer² without fluid. The pump will otherwise run dry.
- Avoid overheating the device due to direct sunlight or direct spotlight. The permissible ambient temperature can be found in the technical data.
- Make sure that the ventilation slots of the machine are not clogged with dust deposits. If necessary, the ventilation slots must be cleaned.
- Wipe up leaked fluid immediately.
- Check the suction strainer in the tank from time to time. Clean it or replace it.
- If you use the same fluid bottle frequently, you should rinse it thoroughly before each filling with fresh fluid. This will prevent contamination.
- If necessary, clean the surface of the device with a suitable, solvent-free cleaning agent
- Make sure that sufficient mist-free cooling air permanently surrounds the machine. Otherwise, moisture damage could occur inside the machine.
- after a few hours of operation, condensate droplets may have formed in the discharge area. This does not represent an operating fault. Please clean the area only when the machine has cooled down.
- **PLEASE NOTE:** The vaporizer of our fog machines does NOT need to be cleaned! Cleaning fluids offered on the market can damage the vaporizer! The warranty will be void in this case.

9. Troubleshooting

The Hazer² does not haze

- Check external control
- Check power source
- Check fluid quantity
- Check connection at fluid tank for tightness
- Check suction strainer in tank for contamination
- Check fluid hose and connector for tightness

The Hazer² clacks loudly when hazing

- The pump runs dry. This must be avoided at all cost
- Refill fluid
- Check hose and coupling, engage again if necessary.

The Hazer² shows the error message "machine too hot" in the display

- The temperature inside the device is too high. After cooling down, the error disappears again.

The Hazer² shows the error message "faulty vaporizer" in the display

- Something is wrong with the evaporator. The machine shuts down for safety reasons.

10. Technical data

10.1 Hazer²

Device type	Haze machine with directly heated vaporizer
Power	100-240V~, 50-60 Hz, 350 W (PowerCON TRUE1)
Heat up time	ca. 10 sec.
Fluid consumption	Up to 200 ml /h.
Fluid bottle size	1 Liter
control	1,3" OLED-Display, keypad
ports	5pol XLR In/Out
Air baffle	Infinitely adjustable
Air flow rate of the fan	255 m ³ /h
Protection class of the fan	IP 65
Haze output	Adjustable 1-100% in 1% steps
Fan speed	Adjustable 1-100% in 1% steps
Supported protocols	DMX512, RDM, JT-Remote
Control ports	DMX/RDM, cable remote „commander“, radio remote „communicator“, stand alone
Accessories (option)	HB Commander, HB Communicator
Fluid	base*V
dimensions (LxBxH)	305 x 205 x 300 (L x B x H) mm
weight (kg)	ca. 7 kg

11. Warranty conditions

hazebase provides warranty for the purchased haze machine Hazer² according to the following conditions:

1. We shall remedy free of charge in accordance with the following conditions (Nos. 2 to 6) damage or defects to the device which are demonstrably due to factory defects if they are reported to us immediately after discovery and within 24 months after delivery to the end user. A warranty obligation is not triggered by minor deviations from the nominal condition which are insignificant for the value and usability of the device, by damage from the effects of water and generally from abnormal environmental conditions or force majeure.
2. The warranty service is provided in such a way that defective parts are repaired free of charge or replaced by faultless parts at our discretion. Devices for which a warranty claim is made with reference to this warranty must be handed over to us and sent free of charge. The proof of purchase with the date of purchase and/or delivery must be presented. Replaced parts become our property.
3. The warranty claim expires if repairs or interventions are carried out by persons who are not authorized by us to do so or if our devices are equipped with supplementary or accessory parts that are not matched to our devices. Furthermore, the warranty claim expires if a fog fluid other than the original hazebase fog fluid was used. If the devices are sent to us without prior removal or emptying of the fluid canister, the warranty also expires, as well as in the case of demonstrable disregard of the operating instructions or in the case of faults due to improper handling/handling as well as in the case of damage due to the effects of violence.
4. We do not grant any performance claims for components or component groups what are subject to natural wear or normal wear. In particular, all fluid-conveying parts such as pumps and heating elements are considered to be wearing parts. A goodwill settlement will be checked in each individual case.
5. Warranty services do not cause an extension of the warranty period, nor do they start a new warranty period. The warranty period for installed spare parts ends with the warranty period for the entire device.

6. If a damage or defect cannot be remedied by us, or if the remedy is refused or unreasonably delayed by us, within 6 months from the date of purchase/delivery, at the request of the end user either
 - a. replacement delivered free of charge or
 - b. the reduced value is remunerated or
 - c. take back the device for a refund of the purchase price, but not more than the market price.
7. Further or other claims, in particular those for compensation for damage occurring outside the device, are excluded - unless liability is mandatory by law.



hazebase
Stargarder Strasse 2
30900 Wedemark

Deutschland

Inhaberin: Uta Raabe
Telefon: 0049-5130-37 10 05
Telefax: 0049-5130-37 10 06
Email: info@hazebase.com
Internet: www.hazebase.com