

MIPRO®

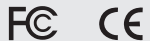
MTG-100C-4 4-Slot Charger Case User Guide

MIPRO MIPRO Electronics Co., Ltd.

Headquarters: 814 Pei-Kang Road, Chiayi, 60096, Taiwan.

Web: www.mipro.com.tw

E-mail: mipro@mipro.com.tw



AS121101

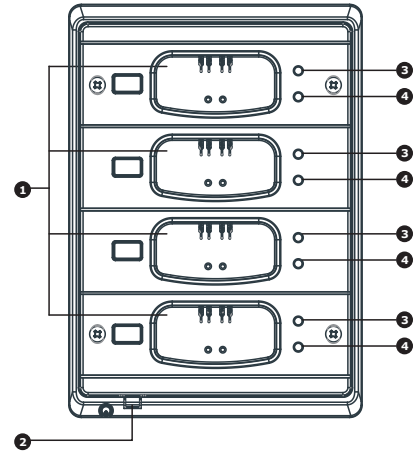
Design and specifications are subject to change without prior notice

Key Features:

- Incorporates 4 charging slots for a mixture of portable receivers and transmitters.
- Each charging slot has separate "red" charging and "green" ready indicator.
- Battery charging via DC output, 8V/0.75A power supply.
- Quick-charge in less than 4 hours.

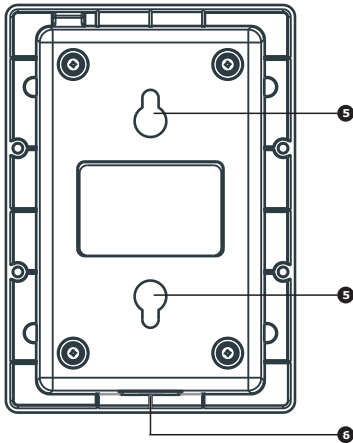
Controls & Indicators

Front Panel



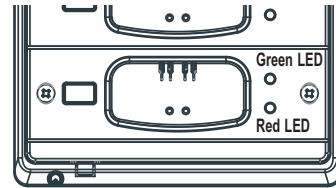
- ➊ **Charging Slot:** 4 charging slots for a mixture of portable receivers and transmitters.
- ➋ **Power Indicator:** Green LED indicator indicates power is switched on.
- ➌ **Charged Indicator:** Green LED indicator (still green is charged and ready)
- ➍ **Charging Indicator:** Red LED indicator (still red during charging)

Back Panel



- 5 **Wall-mounting Keyholes:** Line up the keyholes on the back with installed nail or hook in the wall. Slide the MTG-100C-4 downwards to firmly mount it on the wall.
- 6 **DC input jack:** connects to 12V DC power. The center pole is positive voltage.

Operating Instructions



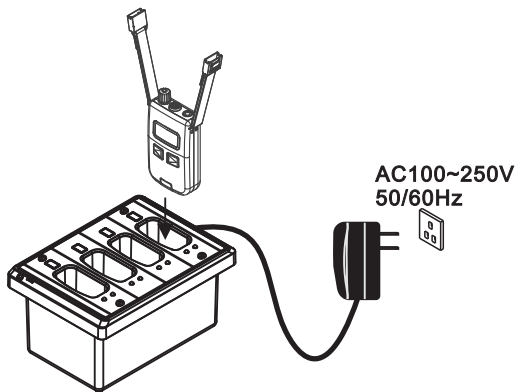
Charging the Transmitters and Receivers

- Plug the power cord into the AC mains input socket and then plug it into a power outlet.
- Insert the portable receivers and/or transmitter into the charging slots. Note: Make sure the battery contacts are properly aligned with those inside the charging slot.

4-Slot Charger Case

During charging state, the LCD panel on the portable receiver or transmitter will display the word "Charging" and still red indicator appears on the charger case. Word will disappear on the LCD panel once it is fully charged and still green indicator appears on the charger case.

- Use the supplied charger only to charge this device.



4-Slot Charger Case

Disposal



2005-08-13

Dispose of any unusable devices or batteries responsibly and in accordance with any applicable regulations.

Disposing of used batteries with domestic waste is to be avoided!

Batteries / NiCad cells often contain heavy metals such as cadmium(Cd), mercury(Hg) and lead(Pb) that makes them unsuitable for disposal with domestic waste. You may return spent batteries/ accumulators free of charge to recycling centres or anywhere else batteries/accumulators are sold.

By doing so, you contribute to the conservation of our environment!

