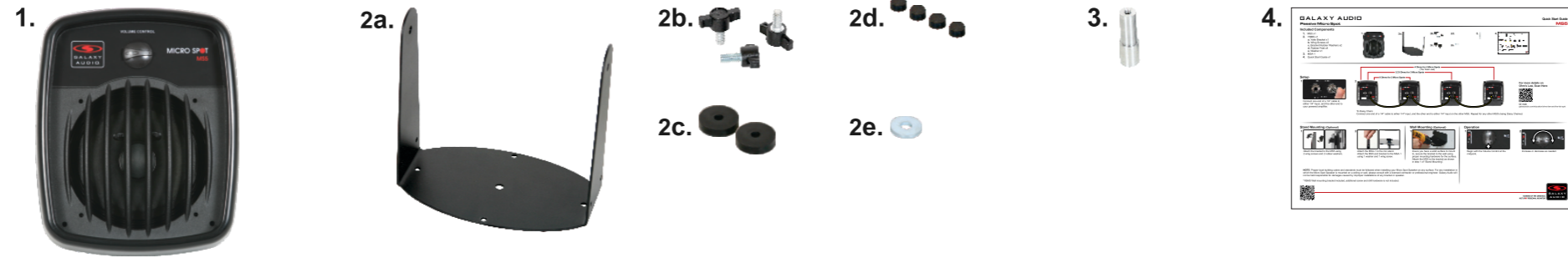


Included Components

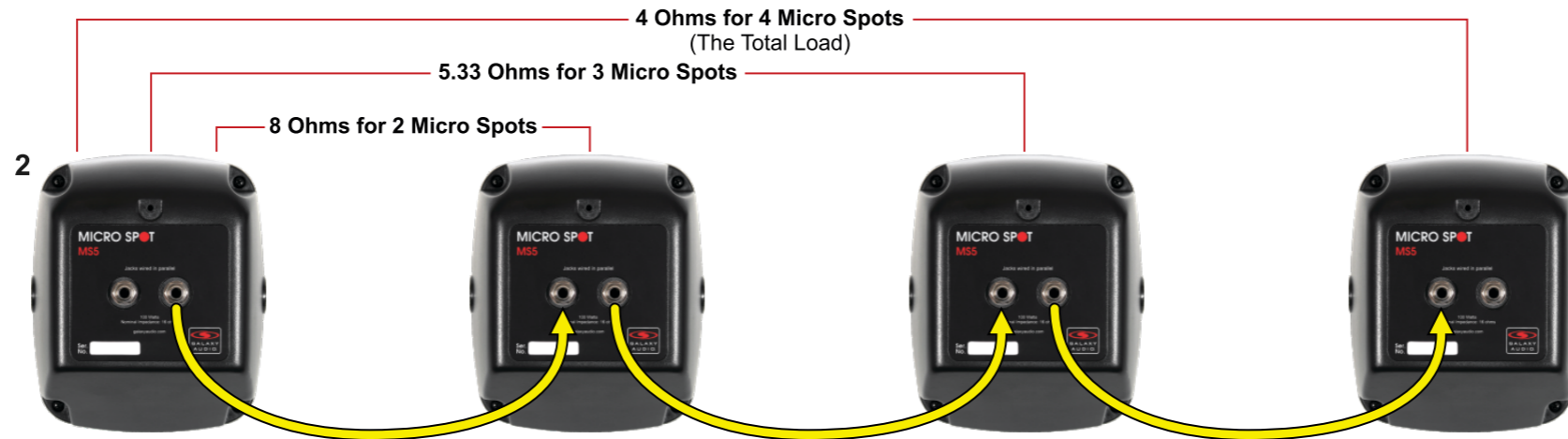
1. MS5 x1
2. YBMS x1
 - a. Yoke Bracket x1
 - b. Wing Screws x3
 - c. Bracket Rubber Washers x2
 - d. Rubber Feet x4
 - e. Washer x1
3. MSA-1
4. Quick Start Guide x1



Setup



Connect one end of a 1/4" cable to either 1/4" input, and the other end to your powered amplifier.



To Daisy Chain:

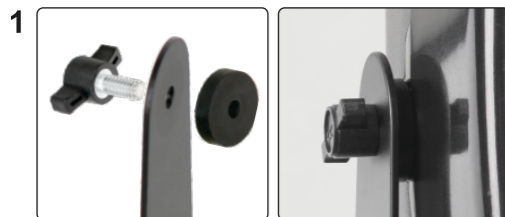
Connect one end of a 1/4" cable to either 1/4" input, and the other end to either 1/4" input on the other MS5. Repeat for any other MS5's being Daisy Chained.

For more details on Ohm's Law, Scan Here:



Or visit: galaxyaudio.com/education/ohms-law-and-the-hot-spot

Stand Mounting (Optional)



Attach the bracket to the MS5 using 2 wing screws and 2 rubber washers.



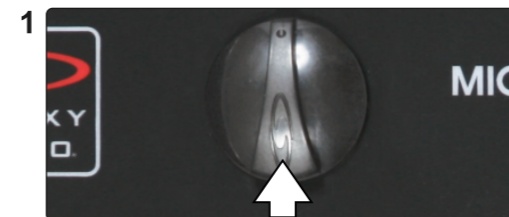
Attach the MSA-1 to the mic stand. Attach the MS5 and bracket to the MSA-1 using 1 washer and 1 wing screw.

Wall Mounting (Optional)

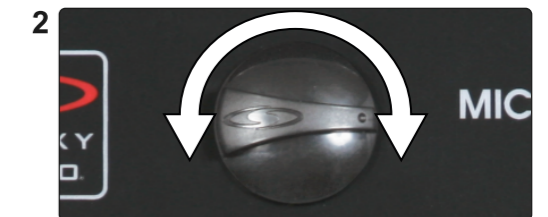


Insure you have a solid surface to mount to, secure the bracket to the wall using proper mounting hardware for the surface. Attach the MS5 to the bracket as shown in step 1 of "Stand Mounting".

Operation



Begin with the Volume Control at the midpoint.



Increase or decrease as needed.

NOTE: Proper local building codes and standards must be followed when installing your Micro Spot Speaker on any surface. For any installation in which the Micro Spot Speaker is mounted on a ceiling or wall, please consult with a licensed contractor or professional engineer. Galaxy Audio will not be held responsible for damages caused by improper installations of any bracket or speaker.

*YBMS Wall mounting bracket included, additional screw and drill hardware is not included.



Quick Start Guide

FAQ



1. Q. How many MS5 can I connect together?

A. It depends on your amplifiers rating. If it is rated to run at 4ohms, the maximum number of MS5 is 4, if your amp is rated to 2 ohms, you could use up to 8 MS5.

2. Q. Why doesn't the volume control turn all the way down?

A. Each step is a 3dB reduction, maximum is an 18dB reduction.



MAKERS OF THE ORIGINAL
HOT SPOT PERSONAL MONITOR

BE HEARD™

Other Helpful Sources

MS5
Product Page



MS5
Manual



(PDF Download)

MS5
Cutsheet



(PDF Download)

YouTube
How To Video



Specifications subject to change without notice.