

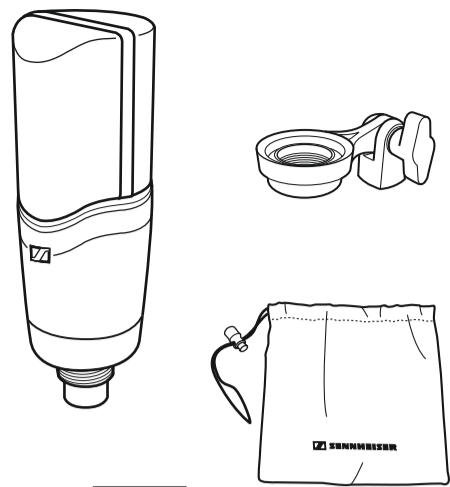


MK 8

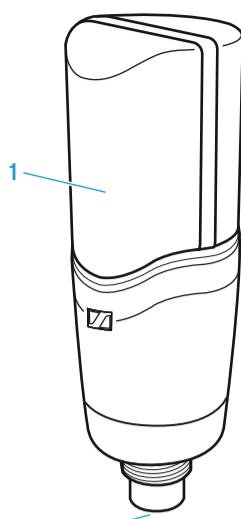
- Quick Guide
- Kurzanleitung
- Guide de démarrage rapide
- Guía rápida
- Instrucciones resumidas
- Instruções resumidas
- Beknopte gebruiksaanwijzing
- Krótká instrukcja obsługi
- Snabbguide
- Kort vejledning
- Παράρτημα
- Σύντομες οδηγίες
- Kisa Kilavuz
- Краткая инструкция
- 快速指南
- 快速使用指南
- クイックガイド
- 요약 안내서

SENNHEISER

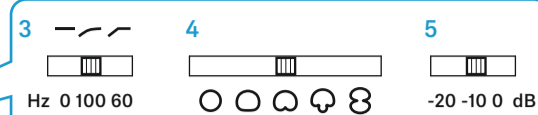
In the box



Overview



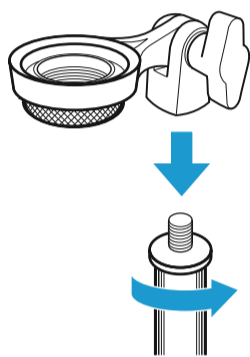
Adjusting



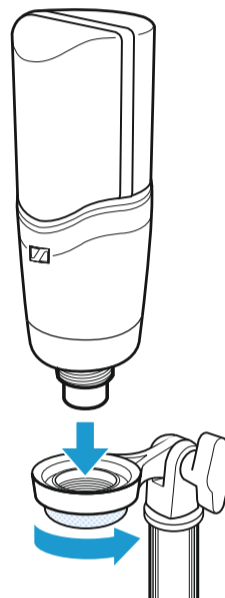
- 1 Sound inlet basket
- 2 XLR-3 connector
- 3 switch for low-cut/roll-off filter
- 4 switch for adjusting the pick-up pattern
- 5 switch for attenuation

Setup

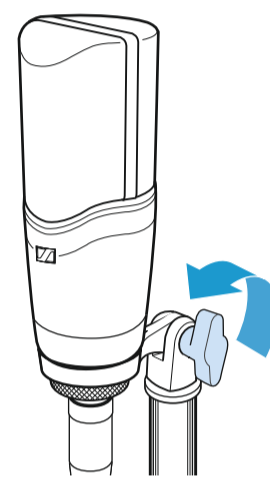
1



2



3



Sennheiser electronic GmbH & Co. KG

Am Labor 1, 30900 Wedemark, Germany
www.sennheiser.com

Printed in Germany, Publ. 11/21, 587474/A02

Adjusting

low-cut/roll-off filter



Hz 0 100 60

- off
- roll-off, -6 dB/oct.
- low-cut, -18 dB/oct.

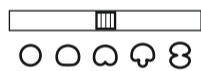
attenuation



-20 -10 0 dB

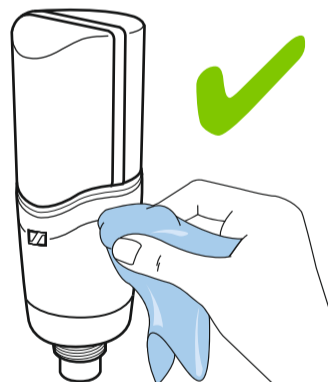
- 20 dB reduces by 20 dB
- 10 dB reduces by 10 dB
- 0 dB no attenuation

pick-up pattern



- omni-directional
- wide cardioid
- cardioid
- super-cardioid
- figure-of-eight

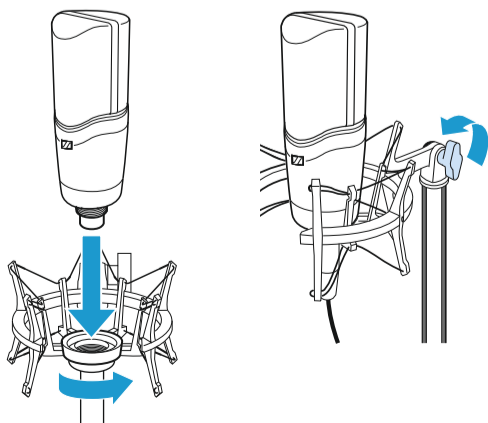
Cleaning



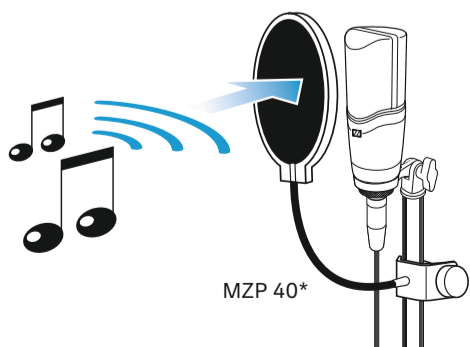
Accessory

1

2

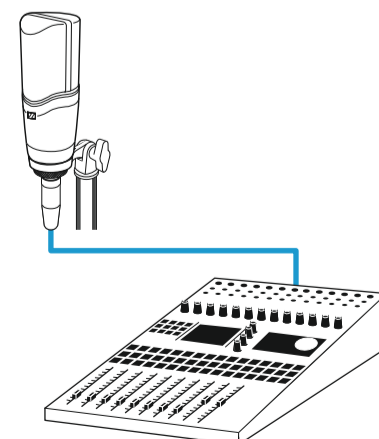
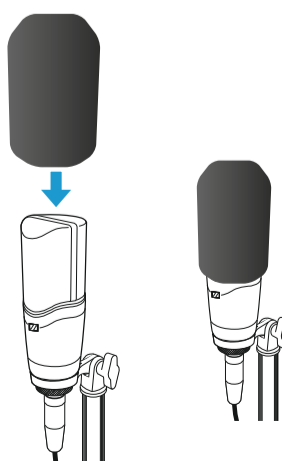


MKS 4*



MZP 40*

MKW 4*



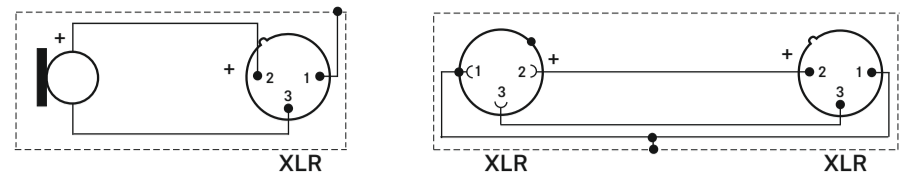
P48 IEC 61938

*optional accessories

Specifications

| | |
|-------------------------------------|--|
| Transducer principle | externally polarized dual diaphragm condenser microphone |
| Diameter of diaphragm | 25.4 mm / 1" |
| Acoustic operating principle | pressure gradient transducer |
| Pick-up pattern, switchable | omni-directional, wide cardioid, cardioid, super-cardioid, figure-of-eight |
| Frequency response | 20 - 20,000 Hz |
| Sensitivity | 14.1 mV/Pa (-37 dBV) |
| Max. SPL | 142 dB (attenuation: 0 dB) |
| Equivalent noise level | A-weighted: 10 dB(A) CCIR-weighted: 16 dB |
| Dynamic range | 132 dB |
| Nominal impedance | 50 Ω |
| Min. terminating impedance | 1 kΩ |
| Phantom powering | 48 V ± 4 V (P48, IEC 61938) |
| Low cut/roll-off filter, switchable | linear |
| Attenuation, switchable | 0 dB, -10 dB, -20 dB |
| Current consumption | 4.1 mA |
| Temperature range | Operation: 0 °C to +40 °C Storage: -10 °C to +60 °C |
| Dimension | ∅ 57 mm x 160 mm |
| Weight | 485 g |

Connector assignment



Polar pattern and frequency response

