



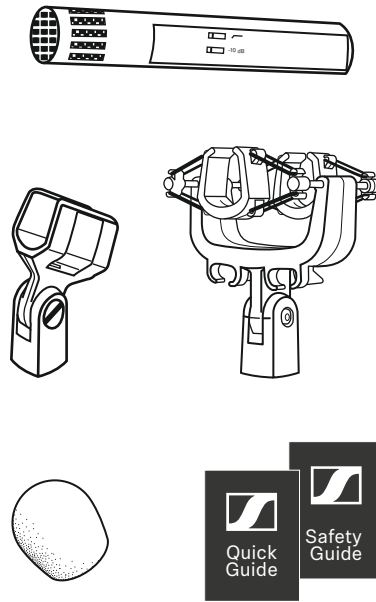
MKH 50-P48

Quick Guide
 Kurzanleitung
 Guide de démarrage rapide
 Guida rapida
 Instrucciones resumidas
 Instruções resumidas
 Beknopte gebruiksaanwijzing
 Krótka instrukcja obsługi
 Snabbguide

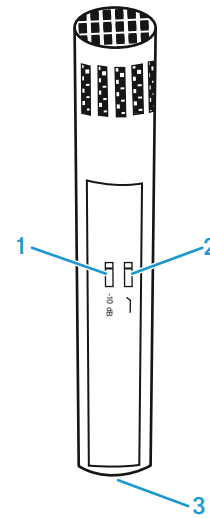
Kort vejledning
 Pikaohje
 Γρήγορος οδηγός
 Kisa Kilavuz
 Краткая инструкция
 快速指南
 快速使用指南
 クイックガイド
 퀵 가이드

SENNHEISER

In the box

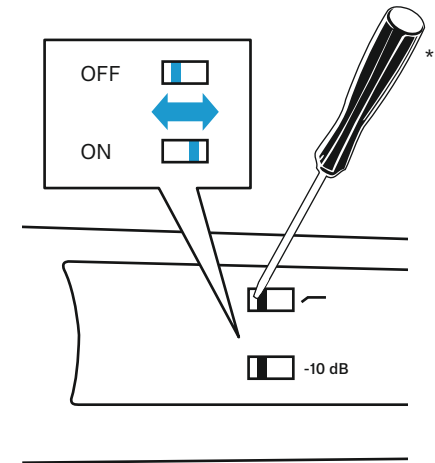


Overview

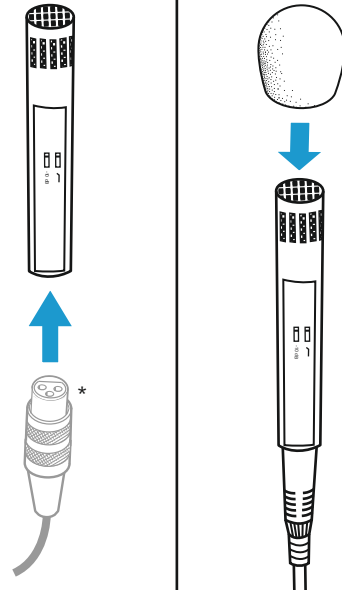


- 1 switch for preattenuation **Adjusting**
- 2 switch for roll-off-filter
- 3 XLR-3 connector

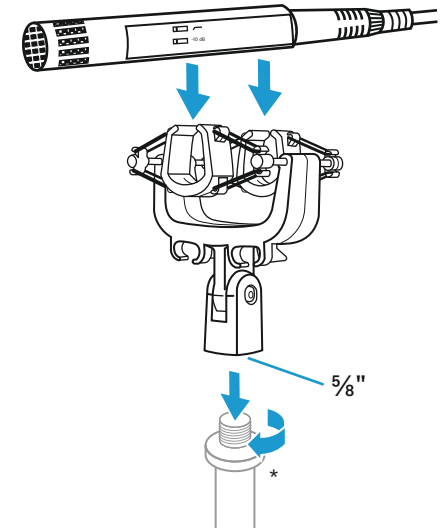
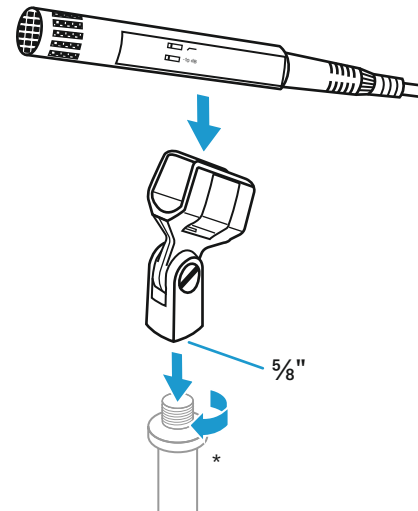
Adjusting



Setup



* not included

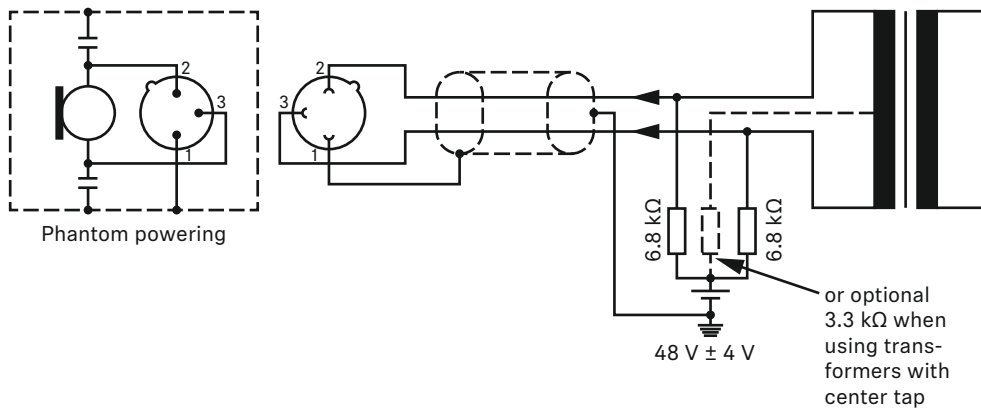


Sennheiser electronic GmbH & Co. KG

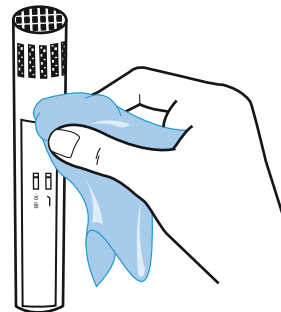
Am Labor 1, 30900 Wedemark, Germany
www.sennheiser.com

Printed in Germany, Publ. 10/21, 583989/A02

Power supply and connections

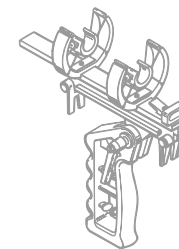


Cleaning

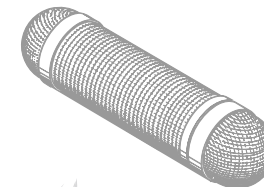


Accessories

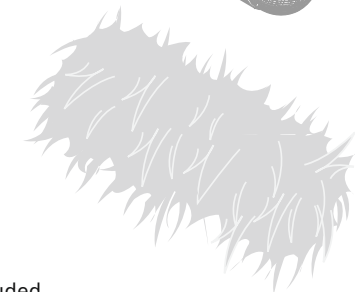
MZS 20-1*



MZS 20-1*



MZH 20-1*



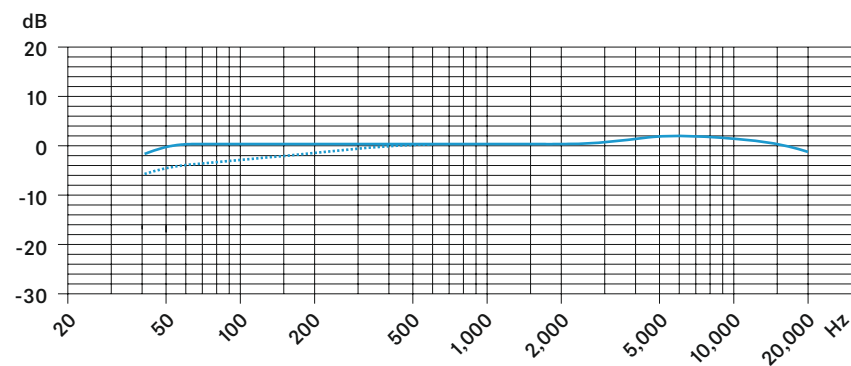
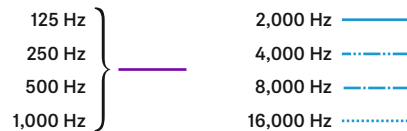
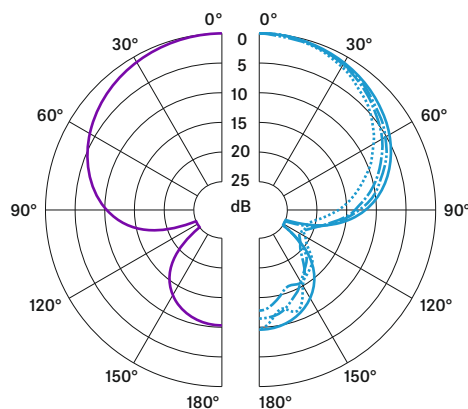
* not included

Specifications

Pick-up pattern	super-cardioid
Frequency response	40 – 20,000 Hz
Sensitivity (free field, no load, 1 kHz)	25 (8) mV/Pa ±1 dB
Max. SPL	134 (142) dB / 1 kHz
Equivalent noise level	
A-weighted	12 (18) dB(A)
CCIR-weighted	21 (27) dB
Nominal impedance	150 Ω
Min. terminating impedance	1 kΩ
Phantom powering	48 V ± 4 V
Current consumption	2 mA
Dimension	∅ 25 x 153 mm
Weight	approx. 100 g

Values in () with attenuator switched on (-10 dB)

Polar pattern and frequency response



· · · · · Effect of switchable roll-off filter

