



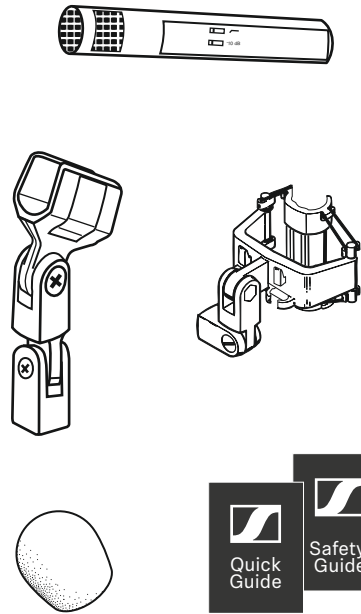
MKH 30-P48

Quick Guide
 Kurzanleitung
 Guide de démarrage rapide
 Guida rapida
 Instrucciones resumidas
 Instruções resumidas
 Beknopte gebruiksaanwijzing
 Krótka instrukcja obsługi
 Snabbguide

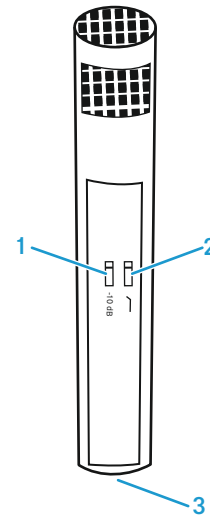
Kort vejledning
 Pikaohje
 Γρήγορος οδηγός
 Kısa Kılavuz
 Краткая инструкция
 快速指南
 快速使用指南
 クイックガイド
 퀵 가이드

SENNHEISER

In the box

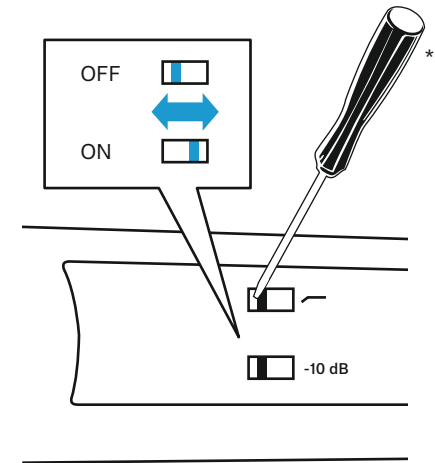


Overview



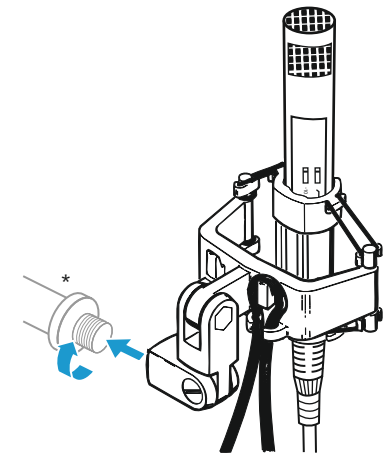
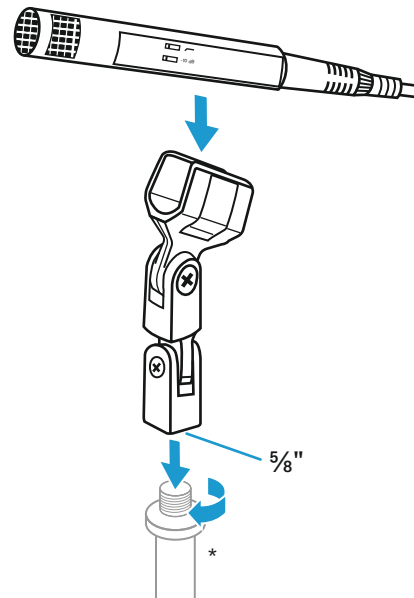
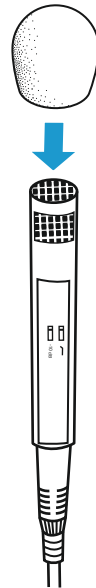
- 1 switch for preattenuation **Adjusting**
- 2 switch for roll-off-filter
- 3 XLR-3 connector

Adjusting



* not included

Setup



* not included



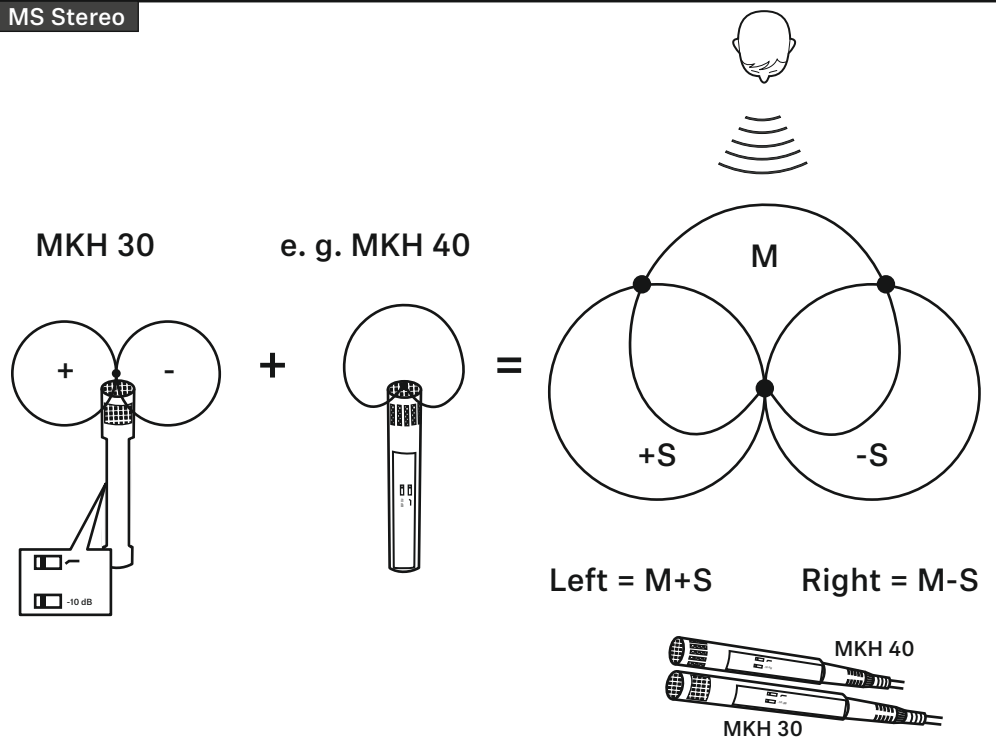
Online at
www.sennheiser.com/download
 Q MKH 30-P48_

Sennheiser electronic GmbH & Co. KG

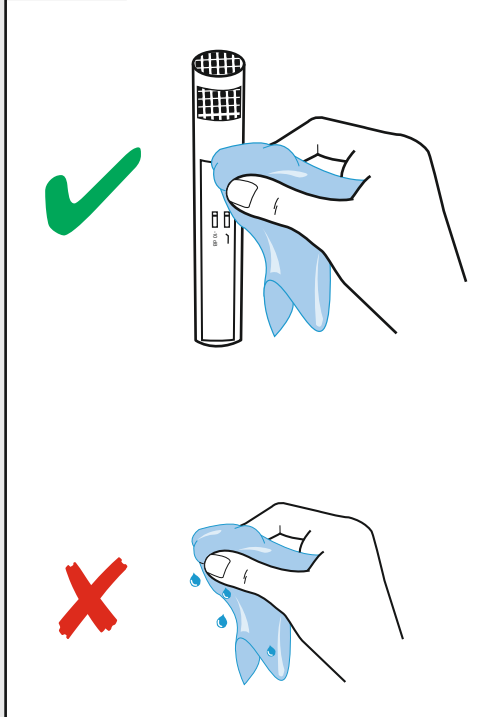
Am Labor 1, 30900 Wedemark, Germany
www.sennheiser.com

Printed in Germany, Publ. 09/19, 583987/A01

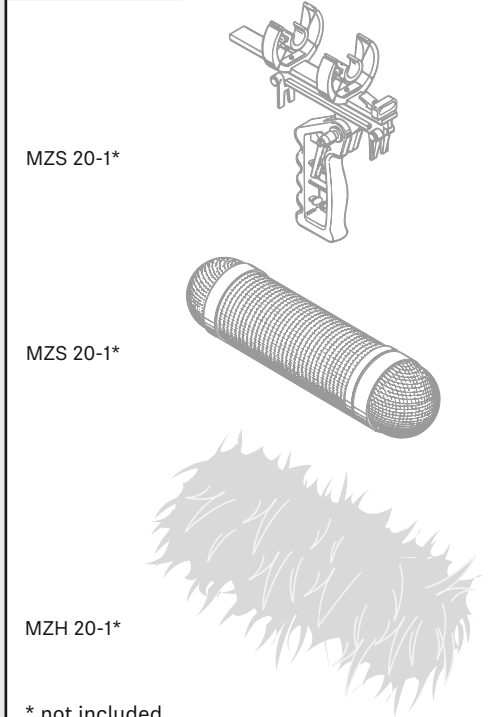
MS Stereo



Cleaning



Accessories



Specifications

Pick-up pattern	figure-of-eight
Frequency response	40 - 20,000 Hz
Sensitivity (free field, no load, 1 kHz)	25 (8) mV/Pa ±1 dB
Max. SPL	134 (142) dB / 1 kHz
Equivalent noise level	
DIN IEC 651	13 (19) dB(A)
CCIR 468-3	22 (28) dB
Nominal impedance	150 Ω
Min. terminating impedance	1 kΩ
Phantom powering	48 V ±4 V
Current consumption	2 mA
Dimension	∅ 25 x 174 mm
Weight	approx. 110 g

Values in () with attenuator switched on (-10 dB)

Polar pattern and frequency response

