

# L 2015

Instruction manual

**SENNHEISER**

## Important safety instructions

1. Read these safety instructions and the instruction manual of the product.
2. Keep these safety instructions and the instruction manual of the product. Always include all instructions when passing the product on to third parties.
3. Heed all warnings.
4. Follow all instructions.
5. Do not use this apparatus near water.
6. Only clean the product when it is not connected to the power supply system. Clean only with a dry cloth.
7. Do not block any ventilation openings. Install in accordance with the manufacturer's instructions.
8. Do not install near any heat sources such as radiators, heat registers, stoves, or other apparatus (including amplifiers) that produce heat.
9. Only operate the product from the type of power source specified in the chapter „Specifications“ and indicated on the power supply unit.
10. Protect the power cord from being walked on or pinched, particularly at plugs, convenience receptacles, and the point where it exits from the apparatus.
11. Only use attachments/accessories specified by the manufacturer.
12. Use only with the cart, stand, tripod, bracket, or table specified by the manufacturer, or sold with the apparatus. When a cart is used, use caution when moving the cart/apparatus combination to avoid injury from tip-over.
13. Unplug the power supply unit from the wall socket,
  - to completely disconnect the product from the power supply system,
  - during lightning storms,
  - when not using the product for long periods of time.

## Important safety instructions

14. Refer all servicing to qualified service personnel. Servicing is required when the apparatus has been damaged in any way, such as power-supply cord or plug is damaged, liquid has been spilled or objects have fallen into the apparatus, when the apparatus has been exposed to rain or moisture, does not operate normally, or has been dropped.
15. Warning: To reduce the risk of fire or electric shock, do not expose this apparatus to rain or moisture and objects filled with liquids, such as vases, should not be placed on this apparatus.
16. When using the supplied device feet, do not place the product on delicate surfaces. Delicate surfaces can become discolored or stained when they come into contact with the plastic of the device feet.
17. Always ensure that the power supply unit is
  - in a safe operating condition and easily accessible,
  - properly plugged into the wall socket,
  - only operated within the permissible temperature range,
  - not covered or exposed to direct sunlight for longer periods of time in order to prevent heat accumulation.

## Risk of fire due to overloading

Do not overload wall outlets and extension cables as this may result in fire and electric shock.

## Important safety instructions

### Intended use

The product is designed for indoor use.

The product can be used for commercial purposes.

It is considered improper use when the product is used for any application not named in the corresponding instruction manual.

Sennheiser does not accept liability for damage arising from improper use or misuse of this product and its attachments/accessories.

Before putting the products into operation, please observe the respective country-specific regulations!

Sennheiser is not liable for damages resulting from the loss of connection due to flat or overaged (rechargeable) batteries or exceeding the transmission range.

### Safety instructions for standard/rechargeable batteries

- ▷ Caution: Risk of explosion if you use or replace a battery by an incorrect type.
- ▷ Do not short-circuit a cell or battery.
- ▷ Do not expose cells or batteries to heat or fire. Avoid storage in sunlight.
- ▷ Do not subject cells or batteries to mechanical shock.
- ▷ Do not touch leaking/defective batteries unprotected.
- ▷ Observe correct polarity.
- ▷ Do not use different battery types.
- ▷ Charge rechargeable batteries at ambient temperatures between +10 °C and +40 °C (+50 °F and +104 °F).

The L 2015 quick charger

## **The L 2015 quick charger**

The L 2015 quick charger must only be used for automatically charging BA 2015 accupacks – individual rechargeable battery cells or primary cells cannot be charged! The BA 2015 accupack is suitable for units of the Sennheiser ew G2, ew G3, ew G4 series, 2000er series, the system Tourguide 1039 and the System 2015.

The bodypack receivers (EK) and transmitters (SK) of the Sennheiser ew G2, ew G3, ew G4 series and the System 2015 have special charging contacts, i.e. these units can be charged with the accupack inserted. When placed into the charger, the SK and EK automatically switch off (exception: the EK 300 IEM G2, EK 300 IEM G3 and EK IEM G4 must be switched off manually).

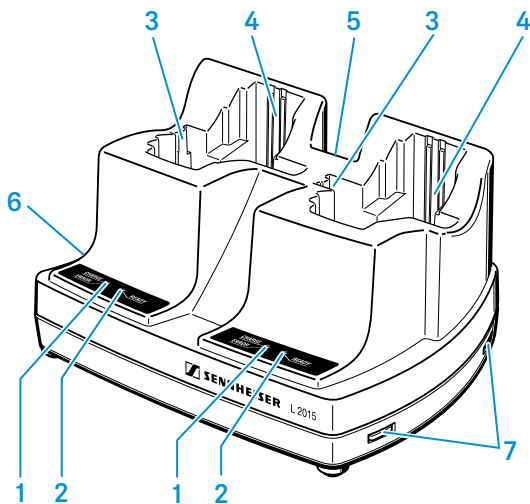
The handheld transmitters (SKM) can be charged using the LA 2 adapter.

### **Delivery includes**

- L 2015 quick charger
- Instructions for use

Suitable mains units are available as accessories (see "Accessories").

## Operating controls



- 1 Red LED CHARGE/ERROR (2 x)
- 2 Green LED READY (2 x)
- 3 Charging compartment for BA 2015 accupack (2 x)
- 4 Charging compartment for SK/EK (2 x)
- 5 Air vents
- 6 DC socket for connection of mains unit
- 7 Guiding slot with internal rail (2 x)

## Operating controls

### LED indications

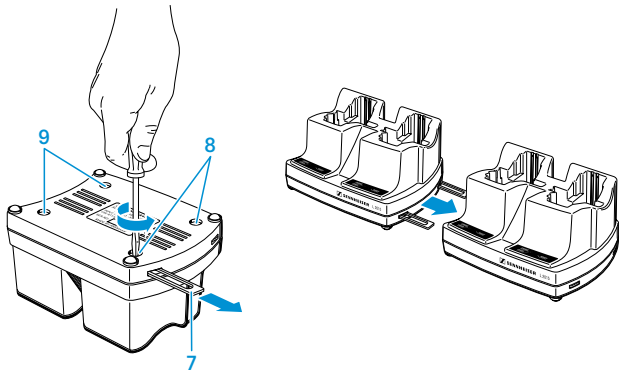
Each charging compartment has two LEDs which indicate the following operating states:

No LED lit	The charging compartment is ready for operation (provided that the charger is connected to the mains), no accupack is identified.
All LEDs briefly light up one after the other	The charger has been connected to the mains and is carrying out a self test.
Red LED 1 lit	The accupack is being charged.
Red LED 1 flashing	A problem has occurred (see „If a problem occurs“ on page 26).
Green LED 2 lit	The accupack is fully charged and the charger has switched to trickle charging.

### Cascading several chargers

- ▷ Make sure that the charger is disconnected from the mains.
  - ▷ Unscrew the two screws 8 at the right bottom side of the charger.
  - ▷ Slide the two rails 7 out of the guiding slots and screw them tight using the two screws 8.
  - ▷ Unscrew the two screws 9 at the left bottom side of the second charger.
  - ▷ Slide the second charger onto the rails of the first charger and screw the rails tight using the two screws 9.
- Up to three chargers can be cascaded together with the rails and can be powered by a common mains unit.

## Setting up the charger



Numbers of chargers	Mains unit required
1	NT 1-1
up to 3	NT 3-1

## Setting up the charger

The charger has four plastic feet to ensure that it cannot slip on the surface on which it is placed.

### NOTICE

#### RISK OF STAINING OF FURNITURE SURFACES!

Some furniture surfaces have been treated with varnish, polish or synthetics which might cause stains when they come into contact with other synthetics.

▷ Do not place the charger on delicate surfaces.

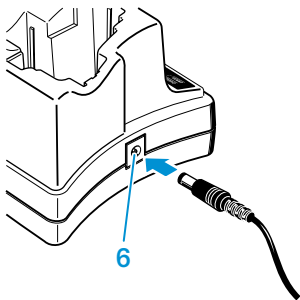
▷ Place the charger on a flat, even surface.



## Setting up the charger

### Switching the charger on or off

- ▷ To switch the charger on, insert the hollow jack plug on the cable of the mains unit (mains unit must be ordered separately) into socket **6**.
- ▷ Connect the mains unit to the mains.  
All LEDs briefly light up one after the other.



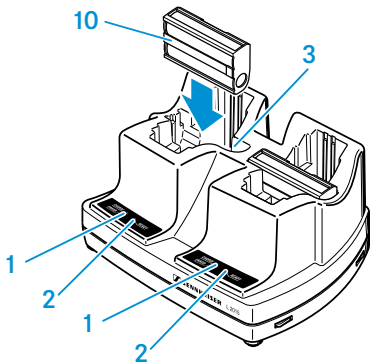
### Charging the BA 2015 accupack

- ▷ Insert the accupack **10** into one of the two charging compartments **3** as shown. The red LED **1** at the occupied charging compartment lights up.

Charging a completely discharged accupack takes approx. 2½ hours at room temperature. It is normal for the accupacks to get warm during charging.

After the accupack has been fully charged, the green LED **2** lights up.

## Setting up the charger



However, the charging process may take longer if:

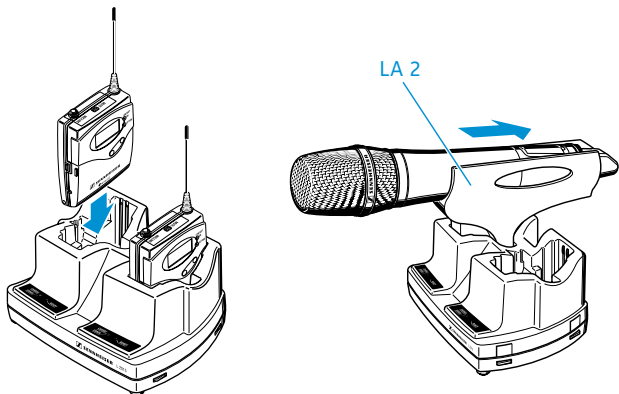
- the accupack is deep-discharged and first has to be re-conditioned by a deep discharge recovery charge,
- the ambient temperature is close to or over 40 °C, since, in order to protect the accupack, the charging process will be interrupted until the accupack temperature has fallen to an admissible value.

For safety reasons, the charging process will be interrupted and the red LED 1 will start flashing if:

- excessively hot accupacks cannot cool down,
- an accupack cannot be fully charged within the max. charging time of 6 hours, e.g. due to overaged cells.

## Setting up the charger

### Charging the BA 2015 accupack in the SK/EK/SKM



## If a problem occurs

If a red LED starts flashing, one of the following errors has occurred at the corresponding charging compartment:

Possible cause	Possible solution
No contact with the accupack (contacts are dirty or accupack is not inserted correctly)	Clean the contacts or insert the accupack correctly.
Accupack is defective (over-aged or defective rechargeable battery cells)	Replace the accupack.
Accupack temperature is too low or too high	Always charge the accupack at room temperature.

Possible cause	Possible solution
Batteries (primary cells) or individual rechargeable batteries have been inserted	Only charge the BA 2015 accupack.

## Cleaning and maintenance

### CAUTION

#### LIQUIDS CAN DAMAGE THE PRODUCTS' ELECTRONICS.

Liquids entering the product housing can cause a short-circuit and damage the electronics.

- ▷ Keep all liquids away from the products.
  - ▷ Do not use any solvents or cleansing agents.
- 
- ▷ Disconnect the products from the power supply system and remove rechargeable batteries and batteries before you begin cleaning.
  - ▷ Clean all products only with a soft, dry cloth.
  - ▷ Use a brush or similar to remove dust from the charging compartments.

## Specifications

Input voltage	12 V $\overline{\text{---}}$ via hollow jack socket
Input current	max. 750 mA
Charging voltage	2 x 2.9 V
Charging current	2 x 700 mA

## Accessories

Charging principle	- $\Delta U$ method Deep discharge recovery charge Trickle charge Accupack temperature monitoring Over/undercharge detection Charging time limit (max. 6 h)
BA 2015 battery type	2 x 1,2 V 1500 mAh, NiMH
Charging time	approx. 2.5 h with a totally discharged accupack and at room temperature, automatic security switch-off after 6 h at the latest
Operating temperature	0 – 40 °C
Dimensions	approx. 145 x 80 x 110 mm
Weight	approx. 310 g

## Accessories

		<b>Art. No.</b>
BA 2015	Accupack for powering units of the Sennheiser ew G2, ew G3, ew G4 series, 2000er series, the system Tourguide 1039 and the System 2015	009950
NT 1-1	Mains unit for powering a single L 2015 charger	503158
NT 3-1-EU	Mains unit for powering up to three cascaded L 2015 chargers; EU variant	503159

## Manufacturer Declarations

		<b>Art. No.</b>
NT 3-1-US	Mains unit for powering up to three cascaded L 2015 chargers; US variant	503876
NT 3-1-UK	Mains unit for powering up to three cascaded L 2015 chargers; UK variant	503877
LA 2	Charging adaptor for handheld transmitters (SKM)	503162

## Manufacturer Declarations

Information about approvals and certifications can be found in the „Compliance“ section.

### Warranty

Sennheiser electronic GmbH & Co. KG gives a warranty of 24 months on these products.

For the current warranty conditions, please visit our website at [www.sennheiser.com](http://www.sennheiser.com) or contact your Sennheiser partner.

### **Warranty FOR AUSTRALIA and NEW ZEALAND ONLY:**

Sennheiser Australia Pty Ltd provides a warranty of 24 months on these products.

For the current warranty conditions, visit Sennheiser website:

Australia: <https://en-au.sennheiser.com/>

New Zealand: <https://en-nz.sennheiser.com/>

Sennheiser goods come with guarantees that cannot be excluded under Australian and New Zealand Consumer law. You are entitled to a replacement or refund for a major failure and compensation for any other reasonably foreseeable loss

## Manufacturer Declarations

or damage. You are also entitled to have the goods repaired or replaced if the goods fail to be of acceptable quality and the failure does not amount to a major failure.

This warranty is in addition to other rights or remedies under law. Nothing in this warranty excludes, limits or modifies any remedy available to be consumer which is granted by law.

To make a claim under this contract, raise a case via Sennheiser website

Australia: <https://en-au.sennheiser.com/service-support-contact>

New Zealand: <https://en-nz.sennheiser.com/service-support-contact>

All expenses of claiming the warranty will be borne by the person making the claim.

Sennheiser international warranty is provided by: Sennheiser Australia Pty Ltd (ABN 68 165 388 312) Level 14, Tower A Zenith Building, 821 Pacific Highway, Chatswood NSW 2067, Australia

## In compliance with the following requirements

- WEEE Directive (2012/19/EU)
- Battery Regulations (2015)



### Notes on disposal

The symbol of the crossed-out dumpster on the product, the (rechargeable) battery (if applicable) and/or the packaging indicates that these products must not be disposed of with normal household waste, but must be disposed of separately at the end of their service life. For the packaging, follow the regulations in your country for separating waste. Improper disposal of packaging materials can be harmful to your health and the environment.

The separate collection of waste electrical and electronic

## Manufacturer Declarations

equipment, (rechargeable) batteries (if applicable) and packaging is intended to promote reuse and recycling and to prevent negative impacts on public health and the environment, for example due to hazardous substances contained in these products. At the end of their service life, recycle electrical and electronic equipment and (rechargeable) batteries so that their materials can be reused and to prevent environmental pollution.

If (rechargeable) batteries can be removed without destroying them, you are obliged to dispose of them separately (see the product's operating instructions for information on how to remove the batteries safely). Be especially careful when handling (rechargeable) batteries containing lithium, as these pose special hazards, such as the risk of fire and/or health risks if button cells are swallowed. Reduce battery waste as much as possible by using longer-life batteries or rechargeable batteries.

Further information on the recycling of these products can be obtained from your municipal administration, from the municipal collection points, or from your Sennheiser partner. You may also be able to return electrical or electronic equipment to your distributor, if they are legally required to do so. By disposing of your batteries properly, you are helping to protect public health and the environment.

### UK Declaration of conformity

- RoHS Regulations (2012)
- EMC Regulations (2016)
- Electrical Equipment (Safety) Regulations (2016)

Importer: Sennheiser UK Ltd.

Pacific House, Third Avenue, Globe Park, Marlow  
Buckinghamshire SL7 1EY, United Kingdom



## Manufacturer Declarations

### EU Declaration of conformity

- RoHS Directive (2011/65/EU)
- EMC Directive (2014/30/EU)
- Low Voltage Directive (2014/35/EU)

The full text of the EU declaration of conformity is available at the following Internet address:

[www.sennheiser.com/download](http://www.sennheiser.com/download).

### Statements regarding the FCC and Industry Canada rules

This device complies with part 15 of the FCC rules. Operation is subject to the following two conditions:

- (1) this device may not cause harmful interference, and
- (2) this device must accept any interference received, including interference that may cause undesired operation.

This Class A digital apparatus complies with the Canadian ICES-003.

# Compliance

## Certified by

---

Europe



---

UK



---

Canada

CAN ICES-3 (A)/NMB-3(A)

---

Australia/ New Zealand





**Sennheiser electronic GmbH & Co. KG**

Am Labor 1, 30900 Wedemark, Germany  
[www.sennheiser.com](http://www.sennheiser.com)

Printed in Germany, Publ. 06/22, 093903/A03