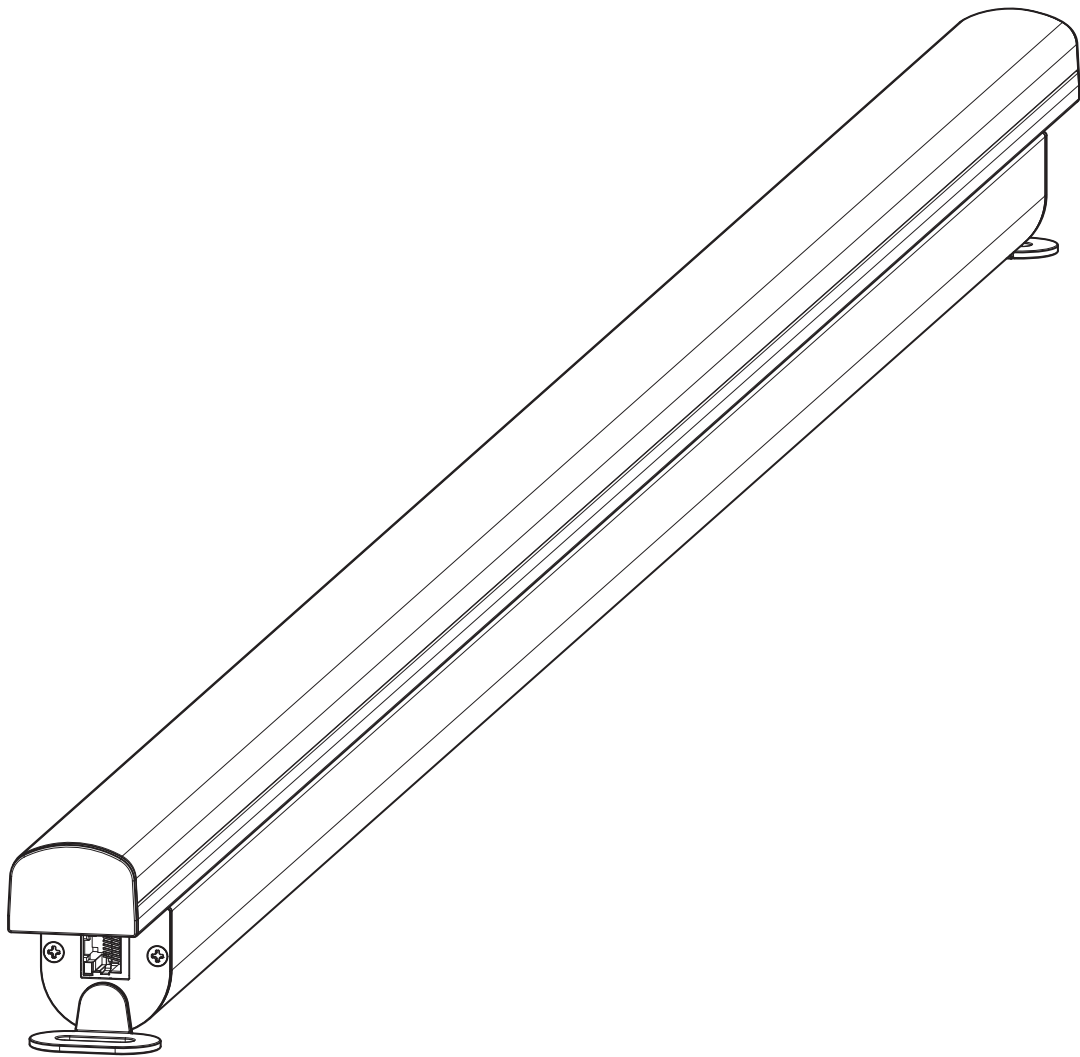


# LOGIC GZ L

## Quick Reference Guide

English	EN
Español	ES
Français	FR
Deutsch	DE
Nederlands	NL



Model ID: LOGICGZL

ILUMINARC

## About This Guide

The LOGIC GZ L Quick Reference Guide (QRG) has basic product information such as mounting, menu options, and DMX values. Download the User Manual for the LOGIC DRIVE 2X from [www.iluminarc.com](http://www.iluminarc.com) for more details.

### Disclaimer

The information and specifications contained in this QRG are subject to change without notice.

### LIMITED WARRANTY

**FOR WARRANTY REGISTRATION AND COMPLETE TERMS AND CONDITIONS PLEASE VISIT OUR WEBSITE.**

**For Customers in the United States and Mexico:** [www.iluminarc.com/warranty-registration-architectural-lighting](http://www.iluminarc.com/warranty-registration-architectural-lighting).

**For Customers in the United Kingdom, Republic of Ireland, Belgium, the Netherlands, Luxembourg, France, and Germany:** [www.iluminarc.com/warranty-registration-architectural-lighting](http://www.iluminarc.com/warranty-registration-architectural-lighting).

Chauvet warrants that this product shall be free from defects in material and workmanship under normal use, for the period specified in, and subject to the exclusions and limitations set forth in the full limited warranty on our website. This warranty extends only to the original purchaser of the product and is not transferable. To exercise rights under this warranty, you must provide proof of purchase in the form of an original sales receipt from an authorized dealer that shows the product name and date of purchase. THERE ARE NO OTHER EXPRESS OR IMPLIED WARRANTIES. This warranty gives you specific legal rights. You may also have other rights that vary from state to state and country to country. This warranty is valid only in the United States, United Kingdom, Republic of Ireland, Belgium, the Netherlands, Luxembourg, France, Germany and Mexico. For warranty terms in other countries, please consult your local distributor.

### Safety Notes

These Safety Notes include important information about installation, use, and maintenance.

- The luminaire should be positioned so that prolonged staring into the luminaire at a distance closer than 3.3 ft (1m) is not expected.
- If the external flexible cable or cord of this luminaire is damaged, it shall be replaced with a special cable or cord exclusively available from the manufacturer or its service agent.
- The light source contained in this luminaire shall only be replaced by the manufacturer, its service agent, or a similarly qualified person.
- The luminaire is intended for professional use only.
- DO NOT open this product. It contains no user-serviceable parts.
- DO NOT look at the light source when the product is on.
- CAUTION: When transferring product from extreme temperature environments, (e.g. cold truck to warm humid ballroom) condensation may form on the internal electronics of the product. To avoid causing a failure, allow product to fully acclimate to the surrounding environment before connecting it to power.
- CAUTION: This product's housing may be hot when lights are operating.
- Mount this product in a location with adequate ventilation, at least 20 in (50 cm) from adjacent surfaces.
- DO NOT leave any flammable material within 11.8 in (30 cm) of this product while operating or connected to power.
- DO NOT operate this product outdoors or in any location where dust, excessive heat, water, or humidity may affect it. (IP20)
- DO NOT operate this product if the housing, lenses, or cables appear damaged.
- ONLY connect this product to IEEE 802.3bt POE power source equipment (PSE).
- ONLY connect this product to a grounded and protected circuit.
- In the event of a serious operating problem, stop using immediately.
- The startup temperature range is -4 °F to 113 °F (-20 °C to 45 °C). Do not start the product outside this range.
- The operating temperature range is -4 °F to 113 °F (-20 °C to 45 °C). Do not operate the product outside this range.
- The storage temperature range is -40 °F to 167 °F (-40 °C to 75 °C). Do not store the product outside this range.

### FCC Compliance

This device complies with Part 15 Part B of the FCC Rules. Operations is subject to the following two conditions:

1. This device may not cause harmful interference, and
2. This device must accept any interference received, including interference that may cause undesired operation.

Any changes or modifications not expressly approved by the party responsible for compliance could void the user's authority to operate the equipment.

### Contact

Outside the U.S., U.K., Ireland, Benelux, France, Germany, or Mexico, contact your distributor to request support or return a product. Refer to [Contact Us](#) at the end of this QRG for contact information.

### What is Included

- LOGIC GZ L
- Quick Reference Guide
- Very Wide filter

**DC Power**

This product is powered by the LOGIC DRIVE 2X with a CAT6 connection of 52-56 VDC. Download the User Manual for the LOGIC DRIVE 2X from [www.iluminarc.com](http://www.iluminarc.com) for more details.

**Power Linking**

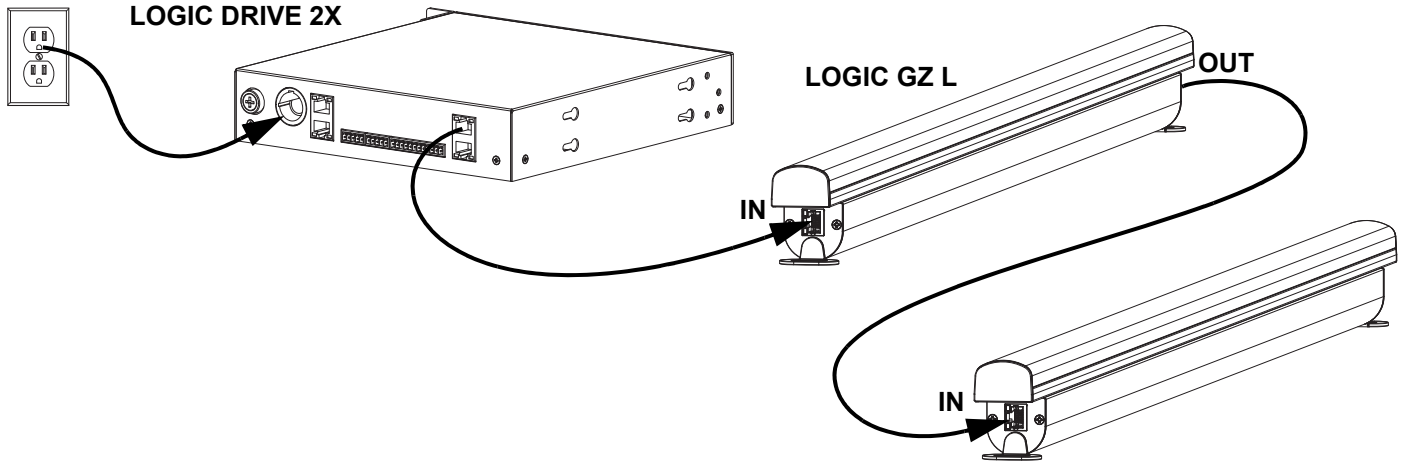
You can link up to 2 LOGIC GZ L products from one output of the LOGIC DRIVE 2X.

**Signal Linking**

The LOGIC GZ L will receive a control signal (DMX, RDM, Art-Net™, or sACN) from the LOGIC DRIVE 2X via a CAT6 connection.

**Connecting and Cabling**

The LOGIC GZ L has an IN port and an OUT port which require a CAT6/A Ethernet connection.

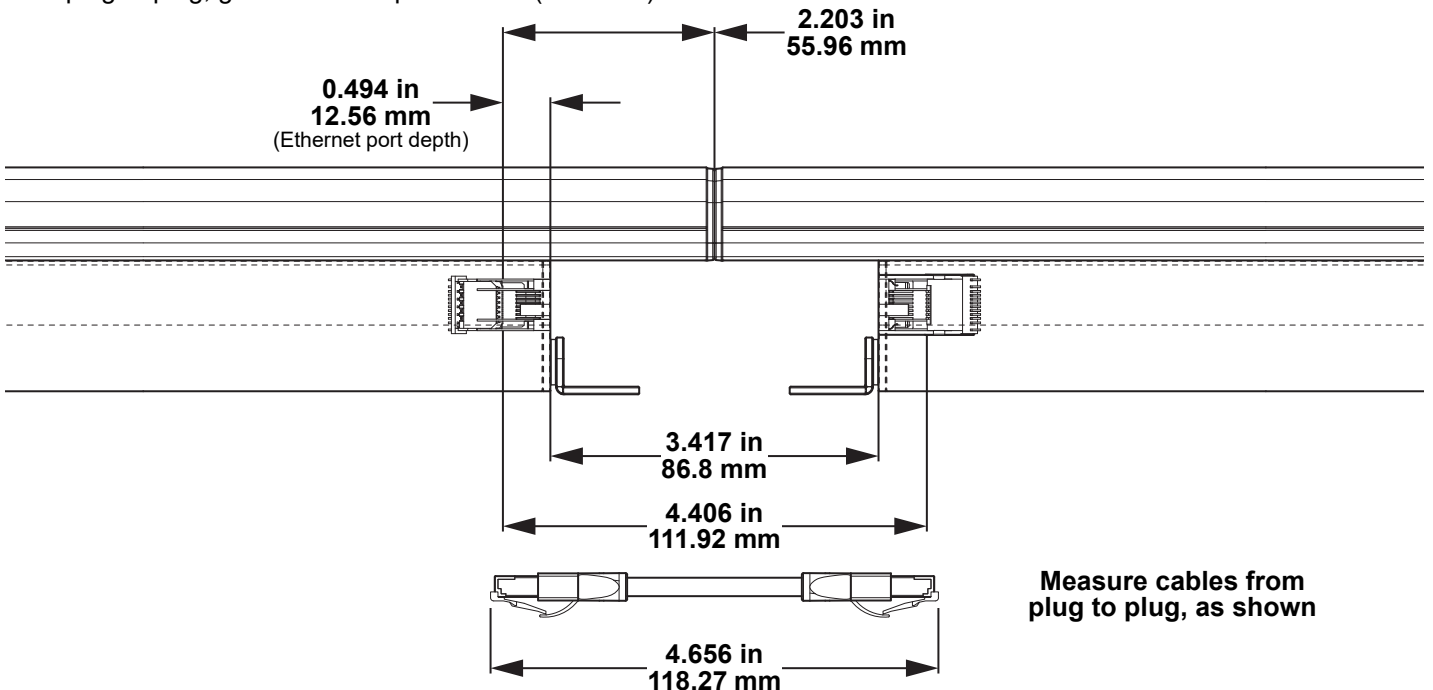


Cable requirements:  $\geq 23$  AWG ( $\geq 0.5733$  mm) solid copper wire shielded CAT6/A, terminated with RJ45 connectors.

- Stranded conductors not supported
- Total Max Cable Length (LOGIC DRIVE 2X to first fixture):  $\leq 100$  m / 328 ft
- Total Max Cable Length (LOGIC DRIVE 2X to last fixture):  $\leq 140$  m / 460 ft
- Total Max Cable Length (first fixture to last fixture):  $\leq 40$  m / 131 ft

**Patch Cable Guide**

LOGIC GZ L products mounted end-to-end can be connected by a CAT6 patch cable as short as 4.656 in (118.27 mm) from plug to plug, give or take a quarter inch (6.35 mm).



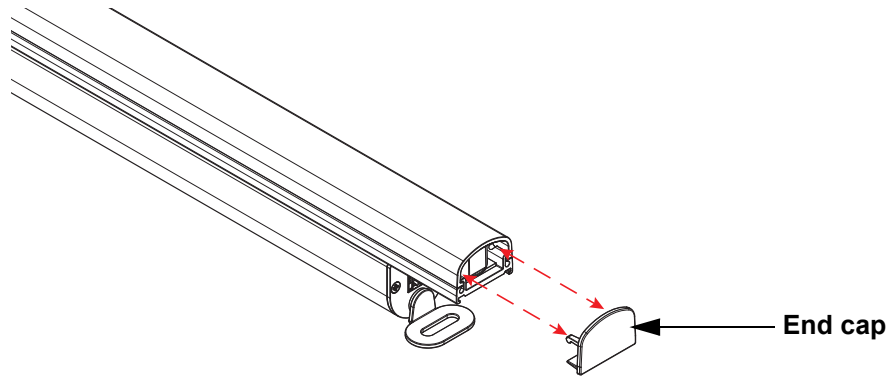
Measure cables from plug to plug, as shown



Cable length tolerances between manufacturers vary. Always verify that cables are a suitable length before installing.

**Filters**

The LOGIC GZ L comes with a Very Wide filter which may be installed or uninstalled by removing one of the end caps and sliding the filter in or out between the outer housing and the LED lenses. This should be done without tools.



The Very Wide filter is flexible, and must be bent in order to be installed.



**WARNING:** The use of tools in removing or installing the end caps may cause damage to the product.

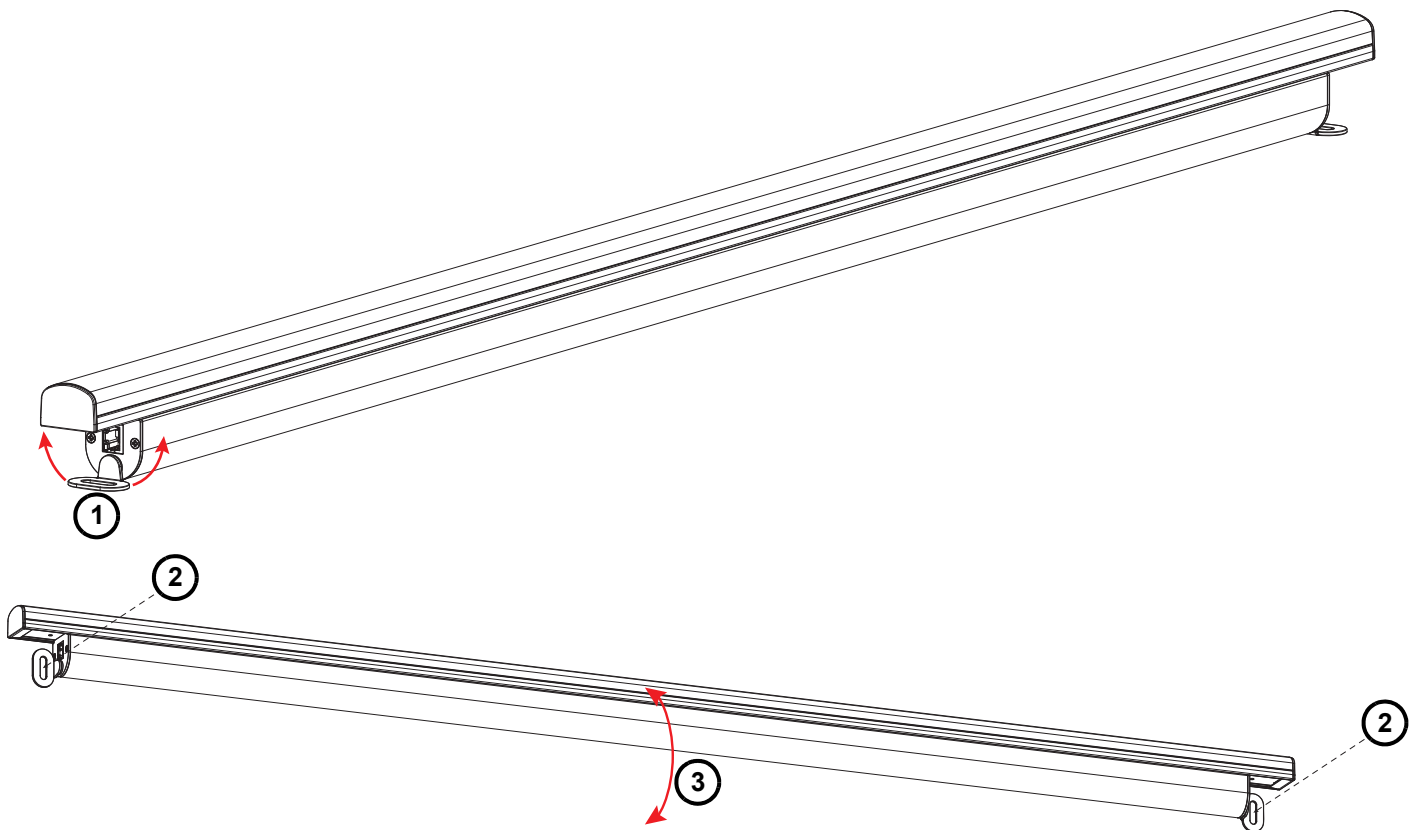
**Mounting**

Before mounting this product, read the [Safety Notes](#). Make sure the mounting surface and hardware are capable of supporting the weight of the product.

To mount the LOGIC GZ L in any orientation (up light, down light, or side light):

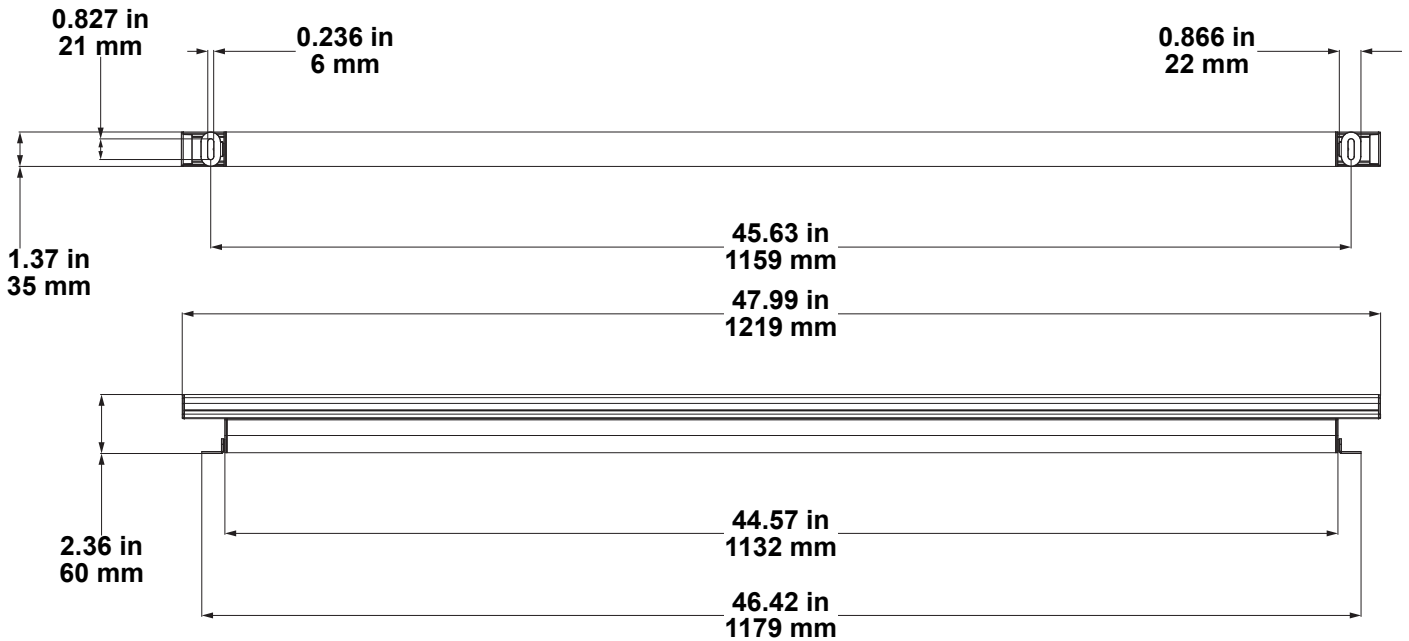
1. Rotate the integrated mounting brackets so they are not blocked by the body of the product.
2. Secure the brackets to the mounting surface with M5, #10-32, or #12-24 screws or bolts.
3. Angle the body of the product as desired.

**Mounting Diagram**



# QUICK REFERENCE GUIDE

## Product Dimensions



## Menu Map

Access the LOGIC GZ L menu through the LOGIC DRIVE 2X **Linked Fixtures** menu. Refer to the LOGIC GZ L and LOGIC DRIVE 2X product pages on [www.iluminarc.com](http://www.iluminarc.com) for the latest menu maps.

Main Level	Programming Levels		Description
<b>DMX Address</b>	<b>001–512</b>		Selects DMX address
<b>Personality</b>	<b>RED</b>		1-channel: dimmer (red only)
	<b>GREEN</b>		1-channel: dimmer (green only)
	<b>BLUE</b>		1-channel: dimmer (blue only)
	<b>WHITE</b>		1-channel: dimmer (white only)
	<b>TW</b>		2-channel, Tunable White: dimmer, color temperature
	<b>RGB</b>		3-channel: RGB control
	<b>RGBW</b>		4-channel: RGBW control
	<b>RGBW+D</b>		5-channel: dimmer, RGBW control
<b>Network</b>	<b>Net Switch</b>	<b>2.X.X.X</b>	Selects the first value of the IP address
		<b>10.X.X.X</b>	
<b>Local Info</b>	<b>Universe</b>	<b>000–255 / 001–256</b> (Art-Net™) (sACN)	Selects universe
	<b>Protocol</b>	<b>_ _ _ _</b>	Shows the control protocol
	<b>Version</b>	<b>V _ _ _</b>	Shows current firmware version
	<b>IP Address</b>	<b>_ _ _ . _ _ _ . _ _ _ . _ _ _</b>	Shows the IP address
	<b>Fixture Hours</b>	<b>_ hours</b>	Shows length of time product has been on
		<b>_ _ minutes</b>	
		<b>_ _ seconds</b>	
	<b>Label</b>	<b>_ _ _ _ _ _ _ _ _ _</b>	Shows product label
	<b>Device UID</b>	<b>_ _ _ _ _ _ . _</b>	Shows device UID
<b>MAC Address</b>	<b>_ _ _ _ _ _ . _ _ _ . _ _ _ _</b>	Shows the MAC address	
<b>Temperature</b>	<b>_ _ _ °C</b>	Shows the current temperature in °C	
<b>Factory Reset</b>	<b>No</b>		Resets to factory default settings
	<b>Yes</b>		

## QUICK REFERENCE GUIDE

EN

ILUMINARC

### RDM Chart

Refer to the LOGIC GZ L product page on [www.iluminarc.com](http://www.iluminarc.com) for the latest RDM chart.

GET	SET	Category	RDM Parameter IDs (Slot 21-22)	Value	Required	Detail
		Network Management	DISC_UNIQUE_BRANCH	0x0001	✓	
			DISC_MUTE	0x0002	✓	
			DISC_UN_MUTE	0x0003	✓	
✓		RDM Information	QUEUED_MESSAGE	0x0020		
✓			SUPPORTED_PARAMETERS	0x0050	✓	IDENTIFY_DEVICE, DEVICE_INFO, SOFTWARE_VERSION_LABEL, SUPPORTED_PARAMETERS, DMX_START_ADDRESS, DEVICE_MODEL_DESCRIPTION, MANUFACTURER_LABEL, DEVICE_LABEL, DMX_PERSONALITY, PERSONALITY_DESCRIPTION, SENSOR_DEFINITION, SENSOR_VALUE
✓			PARAMETER_DESCRIPTION	0x0051	✓	
✓		Product Information	DEVICE_INFO	0x0060	✓	1, RDM Protocol Version: V1.0; 2, Device_Mode_ID: 0x1733; 3, Product Category Defines: PRODUCT_CATEGORY_FIXTURE_FIXED; 4, Software Version ID; 5, DMX512 Footprint; 6, DMX512 Personality; 7, DMX512 Start Address; 8, Sensor Count;
			PRODUCT_DETAIL_ID_LIST	0x0070		
✓			DEVICE_MODEL_DESCRIPTION	0x0080		LOGICGZL
✓			MANUFACTURER_LABEL	0x0081		ILUMINARC
✓	✓		DEVICE_LABEL	0x0082		LOGICGZL
✓			SOFTWARE_VERSION_LABEL	0x00C0	✓	V_._
✓	✓		FACTORY_DEFAULTS			FACTORY_DEFAULTS : yes
✓	✓		DMX_PERSONALITY	0x00E0		9pcs persons
✓		DMX Setup	DMX_PERSONALITY_DESCRIPTION	0x00E1		RED/1CH, GREEN/1CH, BLUE/1CH, WHITE/1CH, TW/2CH, RGB/3CH, RGBW/4CH, RGBW+D/5CH, FULL/10CH
✓	✓		DMX_START_ADDRESS	0x00F0	✓	1-503
✓		Sensors	SENSOR_DEFINITION	0x0200		0.) Product Temperature __ °C
✓			SENSOR_VALUE	0x0201		—20° —100°
✓	✓	Control	IDENTIFY_DEVICE	0x1000	✓	Identify State: Off

## QUICK REFERENCE GUIDE

ILUMINARC

EN

### DMX Values

#### FULL (10 Channels)

Channel	Function	Value	Percent/Setting
1	Dimmer	000 ⇔ 255	0–100%
2	Red	000 ⇔ 255	0–100%
3	Green	000 ⇔ 255	0–100%
4	Blue	000 ⇔ 255	0–100%
5	White	000 ⇔ 255	0–100%
6	Color temperature	000 ⇔ 010	No function
		011 ⇔ 020	1800K
		021 ⇔ 030	2200K
		031 ⇔ 040	2700K
		041 ⇔ 050	3000K
		051 ⇔ 060	3200K
		061 ⇔ 070	4000K
		071 ⇔ 080	4500K
		081 ⇔ 090	5000K
		091 ⇔ 100	5600K
		101 ⇔ 110	6000K
		111 ⇔ 120	6500K
		121 ⇔ 130	7000K
		131 ⇔ 140	8000K
		141 ⇔ 150	10000K
151 ⇔ 255	No function		
7	Strobe	000 ⇔ 009	No function
		010 ⇔ 099	Strobe, 0–25 Hz
		100 ⇔ 109	No function
		110 ⇔ 179	Lightning strobe, slow to fast
		180 ⇔ 189	No function
		190 ⇔ 255	Random strobe, slow to fast
8	Auto programs	000 ⇔ 040	No function
		041 ⇔ 050	Automatic program 1
		051 ⇔ 060	Automatic program 2
		061 ⇔ 070	Automatic program 3
		071 ⇔ 080	Automatic program 4
		081 ⇔ 090	Automatic program 5
		091 ⇔ 100	Automatic program 6
		101 ⇔ 110	Automatic program 7
		111 ⇔ 120	Automatic program 8
		121 ⇔ 130	Automatic program 9
		131 ⇔ 140	Automatic program 10
141 ⇔ 255	No function		
9	Auto program speed	000 ⇔ 255	Automatic program speed, slow to fast
10	Dimmer speed	000 ⇔ 009	No function
		010 ⇔ 129	Dimmer curve on
		130 ⇔ 255	Dimmer curve off

#### RGBW+D (5 Channels)

Channel	Function	Value	Percent/Setting
1	Dimmer	000 ⇔ 255	0–100%
2	Red	000 ⇔ 255	0–100%
3	Green	000 ⇔ 255	0–100%
4	Blue	000 ⇔ 255	0–100%
5	White	000 ⇔ 255	0–100%

#### RGBW (4 Channels)

Channel	Function	Value	Percent/Setting
1	Red	000 ⇔ 255	0–100%
2	Green	000 ⇔ 255	0–100%
3	Blue	000 ⇔ 255	0–100%
4	White	000 ⇔ 255	0–100%

## QUICK REFERENCE GUIDE

EN

ILUMINARC

### RGB (3 Channels)

Channel	Function	Value	Percent/Setting
1	Red	000 ⇔ 255	0–100%
2	Green	000 ⇔ 255	0–100%
3	Blue	000 ⇔ 255	0–100%

### TW (Tunable White: 2 Channels)

Channel	Function	Value	Percent/Setting
1	Dimmer	000 ⇔ 255	0–100%
2	Color temperature	000 ⇔ 010	No function
		011 ⇔ 020	1800K
		021 ⇔ 030	2200K
		031 ⇔ 040	2700K
		041 ⇔ 050	3000K
		051 ⇔ 060	3200K
		061 ⇔ 070	4000K
		071 ⇔ 080	4500K
		081 ⇔ 090	5000K
		091 ⇔ 100	5600K
		101 ⇔ 110	6000K
		111 ⇔ 120	6500K
		121 ⇔ 130	7000K
		131 ⇔ 140	8000K
		141 ⇔ 150	10000K
151 ⇔ 255	No function		

### WHITE (1 Channel)

Channel	Function	Value	Percent/Setting
1	Dimmer	000 ⇔ 255	White only, 0–100%

### BLUE (1 Channel)

Channel	Function	Value	Percent/Setting
1	Dimmer	000 ⇔ 255	Blue only, 0–100%

### GREEN (1 Channel)

Channel	Function	Value	Percent/Setting
1	Dimmer	000 ⇔ 255	Green only, 0–100%

### RED (1 Channel)

Channel	Function	Value	Percent/Setting
1	Dimmer	000 ⇔ 255	Red only, 0–100%



## QUICK REFERENCE GUIDE

ILUMINARC

EN

### Technical Specifications

#### Dimensions and Weight

Length	Width	Height	Weight
47.99 in (1,219 mm)	1.37 in (35 mm)	2.36 in (60 mm)	4.19 lb (1.9 kg)

**Note:** Dimensions in inches are rounded.

#### Power

Power Source	Input Voltage	Voltage Selection
Power Over Ethernet	52-56 VDC	Fixed
Single Fixture Power	Total Linking Power per Port	Power Linking
37.5 W via POE	75 W via POE	2 products per port 4 products per LOGIC DRIVE 2X
Power I/O	U.S./Worldwide	UK/Europe
Power/Data connector	2 Ethernet RJ45	2 Ethernet RJ45

#### Light Source

Type	Color	Quantity	Power	Current	Lifespan
LED	RGBW	36	2.5 W	870 mA	50,000 hours

#### Photometrics

Optics	Beam Angle	Field Angle	Cutoff Angle	Base Illuminance
Open optics	124.8° x 124.7°	147.7° x 169.2°	266.2°	36 lux @ 5 m
Medium optics (installed)	41.5° x 32.5°	83.6° x 65°	132.7°	146 lux @ 5 m
Very Wide filter (included)	47.2° x 51.1°	169.5° x 151.8°	281.6°	41 lux @ 5 m

#### Cabling

Required Cable Type	Required Conductor Diameter	Required Conductor Material	Required Cable Terminator
CAT6/A, Shielded	≥23 AWG (≥0.5733 mm)	Solid bare copper wire (stranded not supported)	RJ45, CAT6/A, Shielded
Recommended Cable	Total Max Cable Length (DRIVE 2X to First Fixture)	Total Max Cable Length (DRIVE 2X to Last Fixture)	Total Max Cable Length (First Fixture to Last Fixture)
Belden 2413F, 2412F, or equivalent	328 ft (100 m)	460 ft (140 m)	131 ft (40 m)

#### Thermal

Ambient Temperature Range	Cooling
-4 °F to 113 °F (-20 °C to 45 °C)	Convection

#### Ordering

Product Name	Item Name	Item Code	UPC Number
LOGIC GZ L	LOGICGZL	1541732	781462220808

## Acerca de Esta Guía

La Guía de Referencia Rápida (GRR) del LOGIC GZ L contiene información básica sobre el producto, como montaje, opciones de menú y valores DMX. Descargue el Manual de Usuario del LOGIC DRIVE 2X de [www.iluminarc.com](http://www.iluminarc.com) para información más detallada.

## Exención de Responsabilidad

La información y especificaciones contenidas en esta GRR están sujetas a cambio sin previo aviso.

## GARANTÍA LIMITADA

**PARA VER EL REGISTRO DE GARANTÍA Y LOS TÉRMINOS Y CONDICIONES COMPLETOS, VISITE NUESTRO SITIO WEB.**

**Para clientes en los Estados Unidos y México:** [www.www.iluminarc.com/warranty-registration-architectural-lighting](http://www.www.iluminarc.com/warranty-registration-architectural-lighting).

**Para clientes en Reino Unido, República de Irlanda, Bélgica, Países Bajos, Luxemburgo, Francia y Alemania:** [www.www.iluminarc.com/warranty-registration-architectural-lighting](http://www.www.iluminarc.com/warranty-registration-architectural-lighting).

Chauvet garantiza que este producto estará libre de defectos de material y mano de obra en condiciones de uso normales, durante el periodo especificado, sujeto siempre a las exclusiones y limitaciones establecidas en la garantía limitada completa de nuestro sitio web. Esta garantía se concede únicamente al comprador original del producto y no es transferible. Para ejercer los derechos que otorga esta garantía, usted debe proporcionar una prueba de compra en forma de un recibo de compra original, expedido por un distribuidor autorizado, donde figure el nombre del producto y la fecha de compra. **NO EXISTEN OTRAS GARANTÍAS EXPRESAS NI IMPLÍCITAS.** Esta garantía le otorga derechos legales específicos. Es posible que a usted le asistan otros derechos, que variarán dependiendo del estado o del país. Esta garantía solamente es válida en los Estados Unidos, Reino Unido, República de Irlanda, Bélgica, Países Bajos, Luxemburgo, Francia, Alemania y México. Para conocer los términos de garantía en otros países, consulte a su distribuidor local.

## Notas de Seguridad

- La luminaria debe colocarse de forma que no sea previsible que se mire fijamente hacia ella a una distancia menor de 3,3' (1 m).
- Si se daña el cable externo flexible de esta luminaria, se sustituirá con un cable especial o con un cable disponible exclusivamente a través del fabricante o de su agente de servicio técnico.
- Solo el fabricante, su agente de servicio o un técnico de similar cualificación podrán reemplazar la fuente de luz contenida en esta luminaria.
- La luminaria está destinada exclusivamente a un uso profesional.
- NO abra este producto. No contiene piezas reparables por el usuario.
- NO mire a la fuente de luz cuando el producto esté encendido.
- Cuidado: cuando transfiera el producto desde ambientes con temperatura extrema (p. ej., del remolque frío de un camión a una sala de baile con calor y humedad), puede formarse condensación en la electrónica interna del producto. Para evitar que se produzca una avería, deje que el producto se aclimate completamente al ambiente antes de conectar la alimentación.
- CUIDADO: La carcasa de este producto está caliente cuando las luces están en funcionamiento.
- Monte este producto en una ubicación con ventilación adecuada, al menos a 20" (50 cm) de superficies adyacentes.
- NO deje ningún material inflamable a menos de 11.8" (30 cm) de este producto mientras esté funcionando o conectado a la alimentación.
- NO ponga en funcionamiento este producto en el exterior o en cualquier ubicación en la que el polvo, calor excesivo, agua o humedad puedan afectarlo. (IP20)
- NO ponga en funcionamiento este producto si sospecha que la carcasa, lentes o cables están dañados.
- NO conecte este producto a un atenuador o reostato.
- Conecte este producto a un equipo con fuente de alimentación (PSE) PoE IEEE 802.3bt.
- En caso de un problema grave de funcionamiento, deje de usarlo inmediatamente.
- El rango de temperatura de inicio es de -4 °F a 113 °F (-20 °C a 45 °C). No inicie el producto fuera de este rango.
- El rango de temperatura de funcionamiento es de -40 °F a 113 °F (-40 °C a 45 °C). No utilice el producto fuera de este rango.
- El rango de temperatura de almacenamiento es de -40 °F a 167 °F (-40 °C a 75 °C). No almacene el producto fuera de este rango.

## Cumplimiento de la FCC

Este dispositivo cumple la parte 15, parte B de las normas FCC. El funcionamiento está supeditado al cumplimiento de estas dos condiciones:

1. Este dispositivo no puede causar interferencias perjudiciales; y
2. Este dispositivo debe aceptar cualquier interferencia recibida, incluyendo las interferencias que puedan causar un funcionamiento no deseado.

Cualquier cambio o modificación que no haya sido expresamente autorizado por la parte responsable de conformidad puede anular la potestad del usuario para hacer funcionar el equipo.

## Contacto

Fuera de EE. UU., Reino Unido, Irlanda, Benelux, Francia, Alemania o México póngase en contacto con su distribuidor para solicitar asistencia o devolver un producto. Consulte [Contact Us](#) al final de este GRR para información de contacto.

## Qué va Incluido

- LOGIC GZ L
- Filtro "Very Wide" (muy amplio)
- Guía de Referencia Rápida

## Alimentación CC

Este producto recibe la alimentación del LOGIC DRIVE 2X a través de una conexión CAT6 de 52-56 V CC. Descargue el manual de usuario del LOGIC DRIVE 2X de [www.iluminarc.com](http://www.iluminarc.com) para una información más detallada.

## Alimentación en cadena

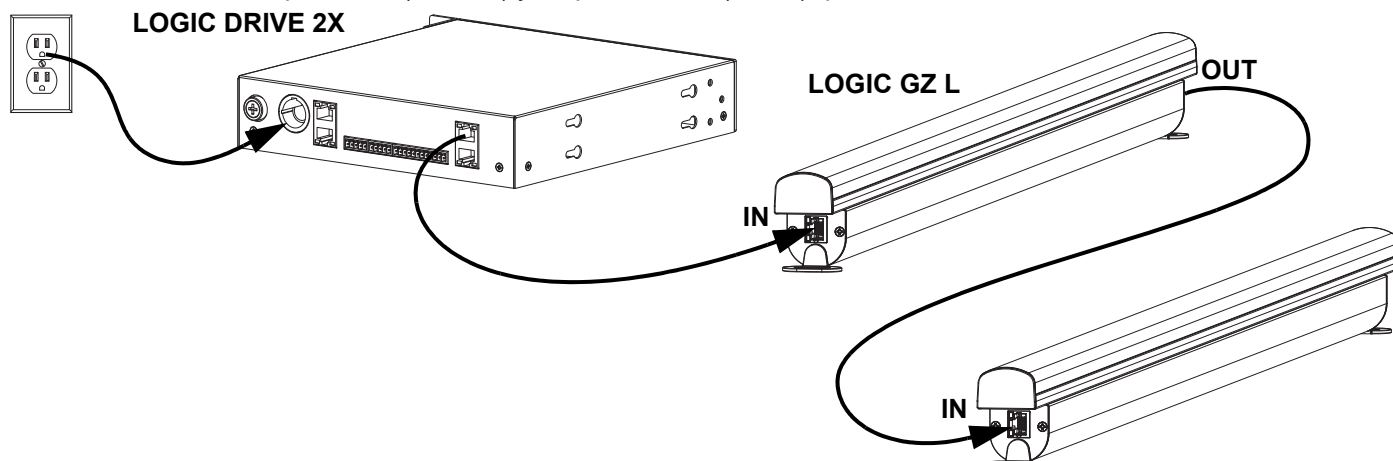
Puede enlazar hasta 2 productos LOGIC GZ L desde una salida del LOGIC DRIVE 2X.

## Enlace de señal

El LOGIC GZ L recibirá una señal de control (DMX, RDM, Art-Net™ o sACN) del LOGIC DRIVE 2X a través de una conexión CAT6.

## Conexión y cableado

El LOGIC GZ L tiene un puerto IN (entrada) y un puerto OUT (salida) que necesita conexiones Ethernet CAT6/A.

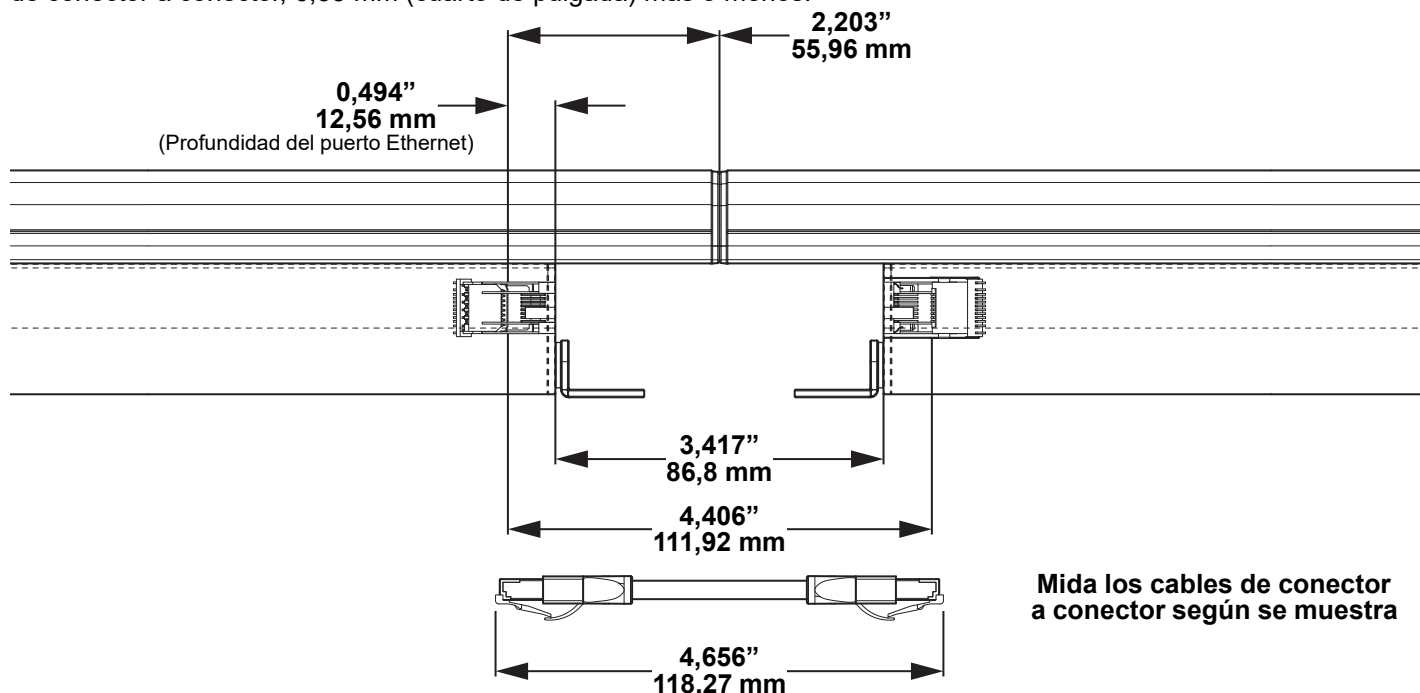


Requisitos del cable: cable de cobre macizo  $\geq 23$  AWG ( $\geq 0,5733$  mm) apantallado CAT6/A, terminado con conectores RJ45.

- No compatible con conductores trenzados
- Longitud del cable máxima total (LOGIC DRIVE 2X al primer aparato):  $\leq 100$  m / 328'
- Longitud del cable máxima total (LOGIC DRIVE 2X al último aparato):  $\leq 140$  m / 460'
- Longitud del cable máxima total (primer aparato al último aparato):  $\leq 40$  m / 131'

## Guía de conexión de cables

Los productos LOGIC GZ L montados consecutivamente se pueden conectar con un cable CAT6 de 118,27 mm (4,656") de conector a conector, 6,35 mm (cuarto de pulgada) más o menos.



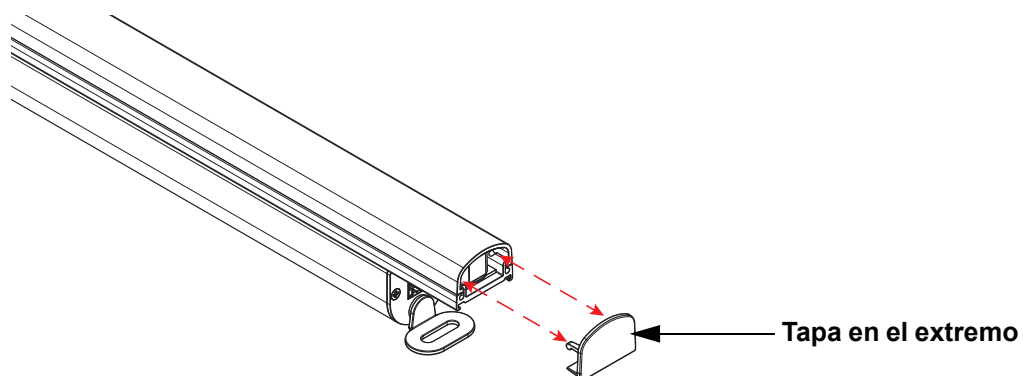
Mida los cables de conector a conector según se muestra



La tolerancia de la longitud del cable entre fabricantes puede variar. Verifique siempre que los cables tengan la longitud adecuada antes de instalar.

## Filtros

El LOGIC GZ L viene con un filtro "Very Wide" (muy amplio) que se puede instalar o desinstalar quitando una de las tapas del extremo y deslizando el filtro hacia adentro o hacia afuera entre la carcasa externa y las lentes del LED. Esto ha de hacerse sin herramientas.



El filtro "Very Wide" (muy amplio) es flexible y hay que doblarlo para instalarlo.



**ADVERTENCIA:** El uso de herramientas para retirar o instalar las tapas del extremo podría dañar el producto.

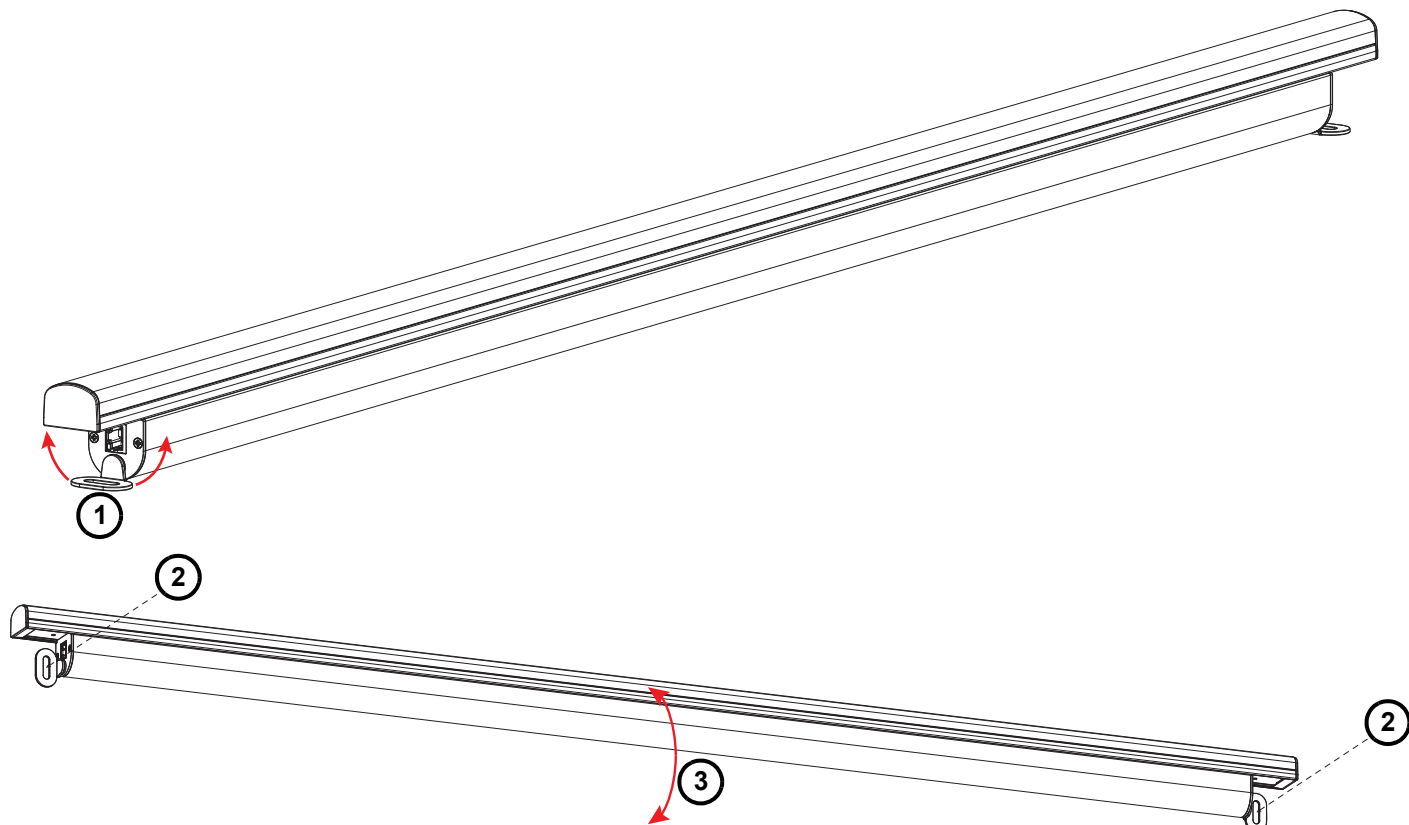
## Montaje

Antes de montar este producto, lea las [Notas de Seguridad](#). Asegúrese de que la superficie y el material de montaje sean capaces de soportar el peso del producto.

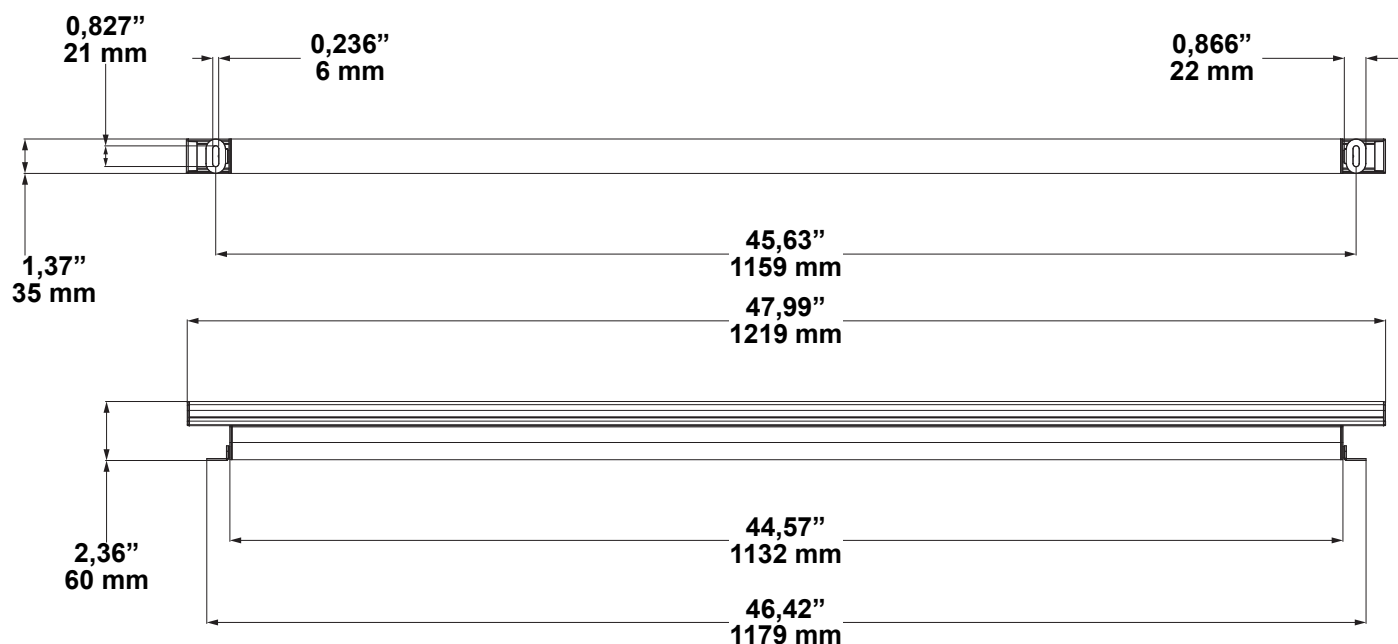
Para montar el LOGIC GZ L en cualquier orientación (luz arriba, luz abajo o luz lateral):

1. Gire los soportes de montaje integrados para que el cuerpo del producto no los bloquee.
2. Fije los soportes a la superficie de montaje con tornillos o pernos M5, n.º 10-32 o n.º 12-24.
3. Inclíne el ángulo del producto según desee.

## Diagrama de montaje



Dimensiones de producto



Mapa de Menú

Acceda al menú del LOGIC GZ L a través del menú **Linked Fixtures** del LOGIC DRIVE 2X.

Consulte la páginas del productos LOGIC GZ L y LOGIC DRIVE 2X en [www.iluminarc.com](http://www.iluminarc.com) para ver el último mapa de menú.

Nivel Principal	Niveles de Programación		Descripción	
<b>DMX Address</b>	<b>001–512</b>		Selecciona la dirección DMX	
<b>Personality</b>	<b>RED</b>		1 canal: atenuador (solo roja)	
	<b>GREEN</b>		1 canal: atenuador (solo verde)	
	<b>BLUE</b>		1 canal: atenuador (solo azul)	
	<b>WHITE</b>		1 canal: atenuador (solo blanco)	
	<b>TW</b>		2 canales, blanco ajustable: atenuador, temperatura de color	
	<b>RGB</b>		3 canales: control RGB	
	<b>RGBW</b>		4 canales: control RGBW	
	<b>RGBW+D</b>		5 canales: atenuador, control RGBW	
<b>Network</b>	<b>Net Switch</b>	<b>2.X.X.X</b> <b>10.X.X.X</b>	Selecciona el primer valor de la dirección IP	
	<b>Universe</b>	<b>000–255 / 001–256</b> (Art-Net™) (sACN)	Selecciona el universo	
<b>Local Info</b>	<b>Protocol</b>	----	Muestra el protocolo de control	
	<b>Version</b>	V _ _ _	Muestra instalada la versión de firmware	
	<b>IP Address</b>	- - - . - - - . - - - . - - -	Muestra la dirección IP	
	<b>Fixture Hours</b>	_ hours		Muestra el nombre total de las horas del producto
		_ _ minutes		
		_ _ seconds		
	<b>Label</b>	- - - - -	Muestra la etiqueta del producto	
	<b>Device UID</b>	- - - - -	Muestra la UID del producto	
<b>MAC Address</b>	- - - - -	Muestra la dirección MAC		
<b>Temperature</b>	- - . - °C	Muestra la temperatura actual en °C		
<b>Factory Reset</b>	<b>No</b>		Restablece a la configuración predeterminada de fábrica	
	<b>Yes</b>			

**Gráfico RDM**

Consulte la página del producto LOGIC GZ L en [www.iluminarc.com](http://www.iluminarc.com) para ver el último gráfico RDM.

GET	SET	Categoría	ID de parámetros RDM (Ranura 21-22)	Valor	Requerido	Detalle
		Network Management	DISC_UNIQUE_BRANCH	0x0001	✓	
			DISC_MUTE	0x0002	✓	
			DISC_UN_MUTE	0x0003	✓	
✓		RDM Information	QUEUED_MESSAGE	0x0020		
✓			SUPPORTED_PARAMETERS	0x0050	✓	IDENTIFY_DEVICE, DEVICE_INFO, SOFTWARE_VERSION_LABEL, SUPPORTED_PARAMETERS, DMX_START_ADDRESS, DEVICE_MODEL_DESCRIPTION, MANUFACTURER_LABEL, DEVICE_LABEL, DMX_PERSONALITY, PERSONALITY_DESCRIPTION, SENSOR_DEFINITION, SENSOR_VALUE
✓			PARAMETER_DESCRIPTION	0x0051	✓	
✓		Product Information	DEVICE_INFO	0x0060	✓	1, RDM Protocol Version: V1.0; 2, Device_Mode_ID: 0x1733; 3, Product Category Defines: PRODUCT_CATEGORY_FIXTURE_FIXED; 4, Software Version ID; 5, DMX512 Footprint; 6, DMX512 Personality; 7, DMX512 Start Address; 8, Sensor Count;
			PRODUCT_DETAIL_ID_LIST	0x0070		
✓			DEVICE_MODEL_DESCRIPTION	0x0080		LOGICGZL
✓			MANUFACTURER_LABEL	0x0081		ILUMINARC
✓	✓		DEVICE_LABEL	0x0082		LOGICGZL
✓			SOFTWARE_VERSION_LABEL	0x00C0	✓	V_._
✓	✓		FACTORY_DEFAULTS			FACTORY_DEFAULTS : yes
✓	✓		DMX_PERSONALITY	0x00E0		9pcs persons
✓		DMX Setup	DMX_PERSONALITY_DESCRIPTION	0x00E1		RED/1CH, GREEN/1CH, BLUE/1CH, WHITE/1CH, TW/2CH, RGB/3CH, RGBW/4CH, RGBW+D/5CH, FULL/10CH
✓	✓		DMX_START_ADDRESS	0x00F0	✓	1-503
✓		Sensors	SENSOR_DEFINITION	0x0200		0.) Product Temperature __ °C
✓			SENSOR_VALUE	0x0201		—20° —100°
✓	✓	Control	IDENTIFY_DEVICE	0x1000	✓	Identify State: Off

**Valores DMX**

**FULL (10 canales)**

Canal	Función	Valor	Porcentaje/Configuración
1	Atenuador	000 ⇄ 255	0–100%
2	Rojo	000 ⇄ 255	0–100%
3	Verde	000 ⇄ 255	0–100%
4	Azul	000 ⇄ 255	0–100%
5	Blanco	000 ⇄ 255	0–100%
6	Temperatura de color	000 ⇄ 010	Sin función
		011 ⇄ 020	1800K
		021 ⇄ 030	2200K
		031 ⇄ 040	2700K
		041 ⇄ 050	3000K
		051 ⇄ 060	3200K
		061 ⇄ 070	4000K
		071 ⇄ 080	4500K
		081 ⇄ 090	5000K
		091 ⇄ 100	5600K
		101 ⇄ 110	6000K
		111 ⇄ 120	6500K
		121 ⇄ 130	7000K
		131 ⇄ 140	8000K
		141 ⇄ 150	10000K
151 ⇄ 255	Sin función		
7	Estroboscopio	000 ⇄ 009	Sin función
		010 ⇄ 099	Estroboscopio, 0–25 Hz
		100 ⇄ 109	Sin función
		110 ⇄ 179	Estroboscopio relámpago, lento a rápido
		180 ⇄ 189	Sin función
		190 ⇄ 255	Estroboscopio aleatorio, lento a rápido
8	Programas automáticos	000 ⇄ 040	Sin función
		041 ⇄ 050	Programa automático 1
		051 ⇄ 060	Programa automático 2
		061 ⇄ 070	Programa automático 3
		071 ⇄ 080	Programa automático 4
		081 ⇄ 090	Programa automático 5
		091 ⇄ 100	Programa automático 6
		101 ⇄ 110	Programa automático 7
		111 ⇄ 120	Programa automático 8
		121 ⇄ 130	Programa automático 9
		131 ⇄ 140	Programa automático 10
141 ⇄ 255	Sin función		
9	Velocidad de programa	000 ⇄ 255	Velocidad de programa automático, lento a rápido
10	Velocidad de atenuador	000 ⇄ 009	Sin función
		010 ⇄ 129	Activación de la curva del atenuador
		130 ⇄ 255	Desactivación de la curva del atenuador

**RGBW+D** (5 canales)

Canal	Función	Valor	Porcentaje/Configuración
1	Atenuador	000 ⇔ 255	0–100%
2	Rojo	000 ⇔ 255	0–100%
3	Verde	000 ⇔ 255	0–100%
4	Azul	000 ⇔ 255	0–100%
5	Blanco	000 ⇔ 255	0–100%

**RGBW** (4 canales)

Canal	Función	Valor	Porcentaje/Configuración
1	Rojo	000 ⇔ 255	0–100%
2	Verde	000 ⇔ 255	0–100%
3	Azul	000 ⇔ 255	0–100%
4	Blanco	000 ⇔ 255	0–100%

**RGB** (3 canales)

Canal	Función	Valor	Porcentaje/Configuración
1	Rojo	000 ⇔ 255	0–100%
2	Verde	000 ⇔ 255	0–100%
3	Azul	000 ⇔ 255	0–100%

**TW** (Blanco ajustable: 2 canales)

Canal	Función	Valor	Porcentaje/Configuración
1	Atenuador	000 ⇔ 255	0–100%
2	Temperatura de color	000 ⇔ 010	Sin función
		011 ⇔ 020	1800K
		021 ⇔ 030	2200K
		031 ⇔ 040	2700K
		041 ⇔ 050	3000K
		051 ⇔ 060	3200K
		061 ⇔ 070	4000K
		071 ⇔ 080	4500K
		081 ⇔ 090	5000K
		091 ⇔ 100	5600K
		101 ⇔ 110	6000K
		111 ⇔ 120	6500K
		121 ⇔ 130	7000K
		131 ⇔ 140	8000K
		141 ⇔ 150	10000K
		151 ⇔ 255	Sin función

**WHITE** (Blanco, 1 canal)

Canal	Función	Valor	Porcentaje/Configuración
1	Atenuador	000 ⇔ 255	Solo blanco, 0–100%

**BLUE** (Azul, 1 canal)

Canal	Función	Valor	Porcentaje/Configuración
1	Atenuador	000 ⇔ 255	Solo azul, 0–100%

**GREEN** (Verde, 1 canal)

Canal	Función	Valor	Porcentaje/Configuración
1	Atenuador	000 ⇔ 255	Solo verde, 0–100%

**RED** (Rojo, 1 canal)

Canal	Función	Valor	Porcentaje/Configuración
1	Atenuador	000 ⇔ 255	Solo rojo, 0–100%



## Especificaciones Técnicas

### Dimensiones y Peso

Longitud	Anchura	Altura	Peso
1219 mm (47,99")	35 mm (1,37")	60 mm (2,36")	1,9 kg (4,19 lb)

**Nota:** las dimensiones en pulgadas están redondeadas.

### Alimentación

Fuente de Alimentación	Tensión de entrada	Selección de Tensión
Alimentación a través de Ethernet	52-56 VCC	Fije

Alimentación de un solo dispositivo	Potencia de enlace total por puerto	Alimentación en cadena
37,5 W a través de PoE	75 W a través de PoE	2 productos por puerto 4 productos por LOGIC DRIVE 2X

E/S alimentación	US/Mundial	UK/Europa
Conector de entrada de alimentación	Ethernet RJ45	Ethernet RJ45
Conector de salida de alimentación	Ethernet RJ45	Ethernet RJ45
Tipo de cable (requerido)	CAT6	CAT6

### Fuente de luz

Tipo	Color	Cantidad	Potencia	Corriente	Vida útil
LED	RGBwW	36	2,5 W	870 mA	50.000 horas

### Fotometría

Ópticos	Ángulo de haz	Ángulo de campo	Ángulo de corte	Iluminancia a 5 m
Óptica abierta	124,8° x 124,7°	147,7° x 169,2°	266,2°	36 lux @ 5 m
Óptica media (instalados)	41,5° x 32,5°	83,6° x 65°	132,7°	146 lux @ 5 m
Filtro "Very Wide" (muy amplio, incluido)	47,2° x 51,1°	169,5° x 151,8°	281,6°	41 lux @ 5 m

### Cableado

Tipo de cable necesario	Diámetro de conductor necesario	Material conductor necesario	Terminador de cable necesario
CAT6/A, apantallado	≥23 AWG (≥0,5733 mm)	Cable pelado de cobre macizo (No compatible con conductores trenzados)	RJ45, CAT6/A, apantallado

Cable recomendado	Longitud del cable máxima total (DRIVE 2X al primer aparato)	Longitud del cable máxima total (DRIVE 2X al último aparato)	Longitud del cable máxima total (primer al último aparato)
Belden 2413F, 2412F, o equivalente	100 m (328')	140 m (460')	40 m (131')

### Térmico

Rango de temperatura ambiente	Refrigeración
-20 °C a 45 °C (-4 °F a 113 °F)	Convección

### Pedidos

Descripción del Producto	Nombre del Producto	Código de Artículo	Número UPC
LOGIC GZ L	LOGICGZL	1541732	781462220808

## À Propos de ce Manuel

Le Manuel de Référence du LOGIC GZ L (MdR) reprend des informations de base sur cet appareil notamment en matière de montage, options de menu et valeurs DMX. Télécharger le Manuel d'Utilisation du LOGIC DRIVE 2X sur [www.iluminarc.com](http://www.iluminarc.com) pour de plus amples informations.

### Clause de Non-Responsabilité

Les informations et caractéristiques contenues dans ce manuel sont sujettes à changement sans préavis.

### GARANTIE LIMITÉE

**VEUILLEZ VISITER NOTRE SITE INTERNET POUR CONSULTER LES MODALITÉS D'ENREGISTREMENT DE LA GARANTIE ET LES CONDITIONS GÉNÉRALES COMPLÈTES.**

**Pour les clients aux États-Unis et au Mexique:** [www.www.iluminarc.com/warranty-registration-architectural-lighting](http://www.www.iluminarc.com/warranty-registration-architectural-lighting).

**Pour les clients du Royaume-Uni, de la République d'Irlande, de la Belgique, des Pays-Bas, du Luxembourg, de la France et de l'Allemagne:** [www.www.iluminarc.com/warranty-registration-architectural-lighting](http://www.www.iluminarc.com/warranty-registration-architectural-lighting).

Chauvet garantit que cet appareil est exempt de défauts de matériaux et de fabrication dans des conditions normales d'utilisation, pendant la période spécifiée dans la garantie limitée complète consultable sur notre site Internet et sous réserve des exclusions et limitations qui y sont énoncées. Cette garantie ne s'applique qu'à l'acheteur initial du produit et n'est pas transférable. Pour exercer les droits prévus par cette garantie, vous devez fournir une preuve d'achat sous la forme d'un reçu de vente original d'un revendeur autorisé qui indique le nom du produit et la date d'achat. IL N'EXISTE AUCUNE AUTRE GARANTIE ÉXPRESSE OU IMPLICITE. Cette garantie vous confère des droits légaux spécifiques. Vous pouvez également bénéficier d'autres droits qui varient selon les états et les pays. Cette garantie n'est valable qu'aux États-Unis, au Royaume-Uni, en République d'Irlande, en Belgique, aux Pays-Bas, au Luxembourg, en France, en Allemagne et au Mexique. Pour connaître les conditions de garantie dans d'autres pays, veuillez consulter votre revendeur local.

### Consignes de Sécurité

- Le luminaire doit être placé de manière à ce qu'il ne soit pas possible de le regarder de manière fixe à une distance inférieure à 3,3 pi (1 m).
- Si le câble ou le cordon flexible externe de ce luminaire est endommagé, il doit être remplacé par un câble ou cordon spécial disponible exclusivement auprès du fabricant ou de son prestataire de service.
- La source lumineuse contenue dans ce luminaire ne peut être remplacée que par le fabricant ou son prestataire de service ou une personne suffisamment qualifiée.
- Ce luminaire est uniquement réservé à un usage professionnel.
- N'ouvrez PAS cet appareil. Il ne contient aucun composant susceptible d'être réparé par l'utilisateur.
- Ne regardez PAS la source lumineuse lorsque l'appareil fonctionne.
- Attention : Lorsque l'appareil est transféré d'un environnement à température extrême à un autre (par exemple d'un camion froid vers une salle de bal chaude et humide), de la condensation peut se former sur les composants électriques internes. Pour éviter de causer des dommages, laissez l'appareil s'acclimater entièrement au milieu environnant avant de le mettre sous tension.
- ATTENTION : le boîtier de cet appareil est brûlant lors du fonctionnement.
- Montez toujours cet appareil dans un endroit bien ventilé, à au moins, 20 po (50 cm) des surfaces adjacentes.
- Ne laissez AUCUNE source inflammable dans un rayon de 20 po (50 cm) de l'appareil lorsque celui-ci fonctionne.
- N'utilisez PAS cet appareil en extérieur ou tout autre endroit où de la poussière, une chaleur excessive, de l'eau ou de l'humidité pourrait en affecter le fonctionnement. (IP20)
- N'utilisez PAS cet appareil si le boîtier, les lentilles ou les câbles vous semblent endommagés.
- Ne connectez PAS cet appareil ni à un gradateur ni à un rhéostat.
- Cet appareil doit UNIQUEMENT être branché sur une source d'alimentation (PSE) IEEE 802.3bt POE.
- En cas de sérieux problèmes de fonctionnement, arrêtez le système immédiatement.
- La plage de température de démarrage est de -4 °F à 113 °F (-20 °C à 45 °C). Ne démarrez pas le produit en dehors de cette plage.
- La plage de température de fonctionnement est de -40 °F à 113 °F (-40 °C à 45 °C). N'utilisez pas le produit en dehors de cette plage.
- La plage de température de stockage est de -40 °F à 167 °F (-40 °C à 75 °C). Ne stockez pas le produit en dehors de cette plage.

### Conformité FCC

Cet appareil est conforme à la partie 15, sous-partie B du règlement de la FCC. L'utilisation est soumise aux deux conditions suivantes :

1. Cet appareil ne doit pas causer d'interférences nuisibles, et
2. Cet appareil doit accepter toutes les interférences reçues, y compris celles pouvant entraîner un fonctionnement indésirable.

Tout changement ou modification non expressément approuvé par l'autorité responsable de la conformité pourrait annuler le droit de l'utilisateur à utiliser l'équipement.

### Contact

En dehors des États-Unis, du Royaume-Uni, de l'Irlande, du Benelux, de la France, de l'Allemagne, ou du Mexique, contactez votre fournisseur si vous avez besoin d'assistance ou pour retourner un appareil. Référez-vous à [Contact Us](#) à la fin de ce MdR pour obtenir des informations pour nous contacter.

### Ce Qui est Inclus

- LOGIC GZ L
- Manuel de Référence
- Filtre « Very Wide »

**Courant continu**

Cet appareil est alimenté par le LOGIC DRIVE 2X via une connexion CAT6 de 52-56 VDC. Pour plus de détails, téléchargez le manuel d'utilisation du LOGIC DRIVE 2X sur [www.iluminarc.com](http://www.iluminarc.com).

**Chaînage électrique**

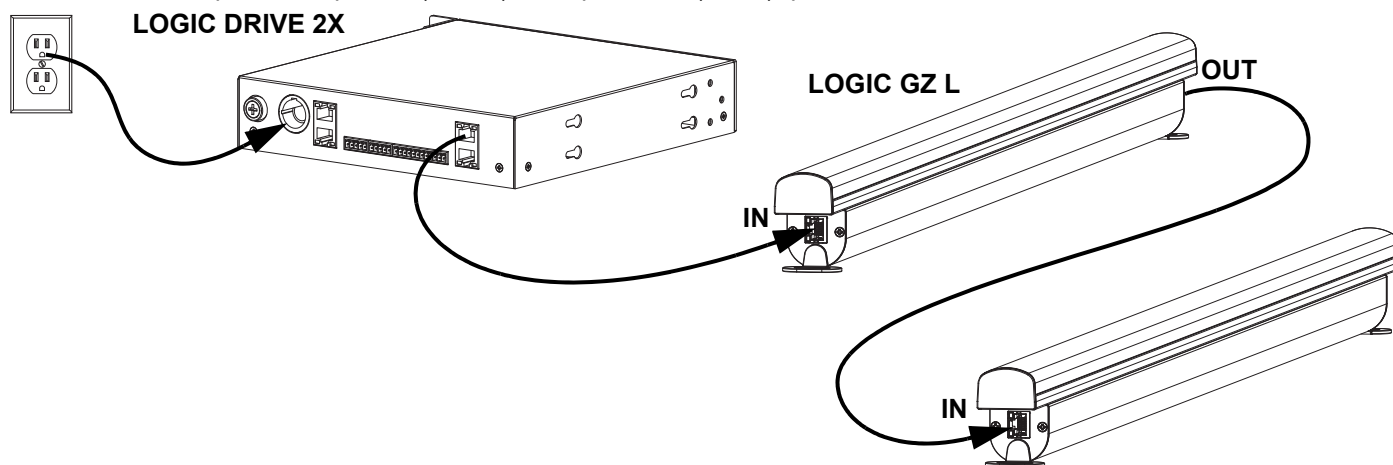
Vous pouvez connecter jusqu'à 2 appareils LOGIC GZ L à partir d'une seule sortie du LOGIC DRIVE 2X.

**Chaînage du signal**

Le LOGIC GZ L est conçu pour recevoir un signal de commande (DMX, RDM, Art-Net™ ou sACN) depuis le LOGIC DRIVE 2X via une connexion CAT6.

**Connexion et câblage**

Le LOGIC GZ L dispose d'un port IN (entrée) et un port OUT (sortie) qui nécessitent des connexions Ethernet CAT6/A.

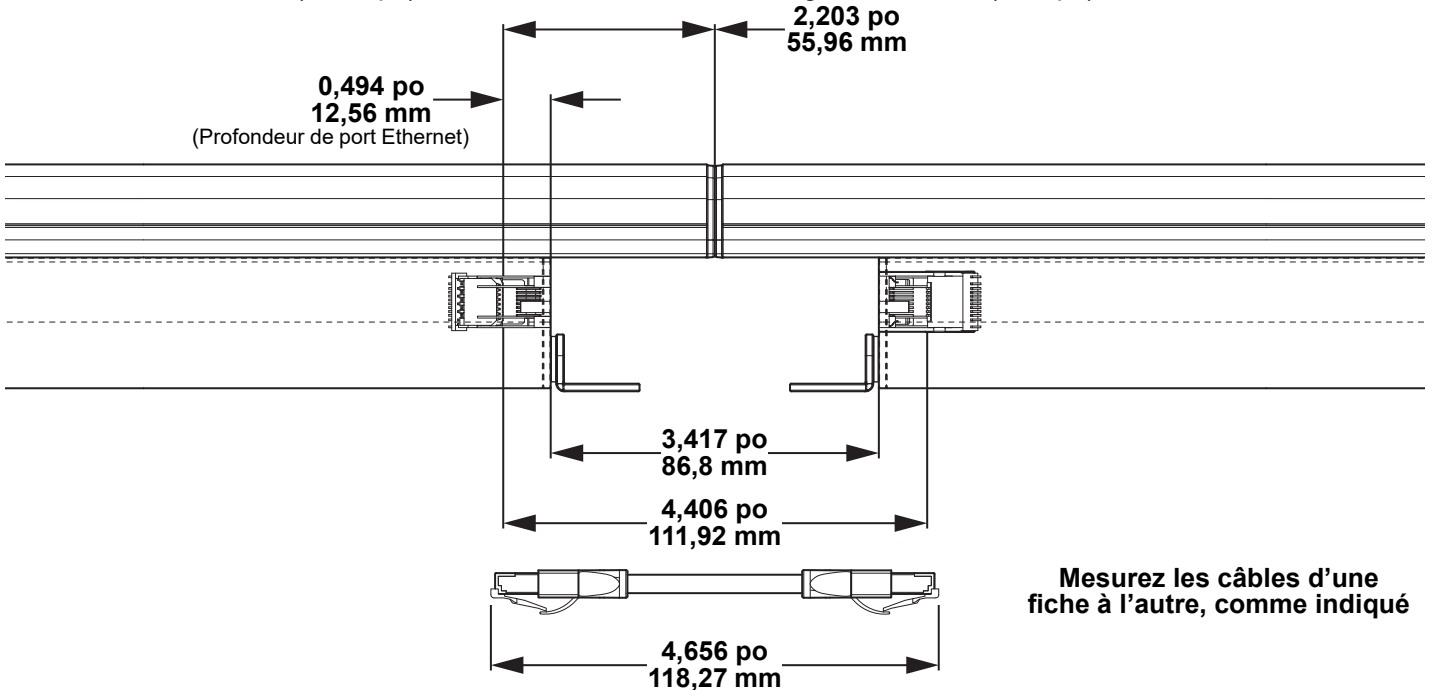


Exigences relatives au câble : fil de cuivre massif  $\geq 23$  AWG ( $\geq 0,5733$  mm) CAT6/A blindé, terminé par des connecteurs RJ45.

- Les conducteurs torsadés ne sont pas pris en charge
- Longueur totale maximale de câble (LOGIC DRIVE 2X au premier appareil) :  $\leq 100$  m / 328 pi
- Longueur totale maximale de câble (LOGIC DRIVE 2X au dernier appareil) :  $\leq 140$  m / 460 pi
- Longueur totale maximale de câble (premier appareil au dernier appareil) :  $\leq 40$  m / 131 pi

**Guide pour câbles de raccordement**

Des appareils LOGIC GZ L montés en guirlande peuvent être reliés par un câble de raccordement CAT6 d'une longueur minimale de 118,27 mm (4,656 po) entre deux fiches, avec une marge de 6,35 mm (0,25 po).



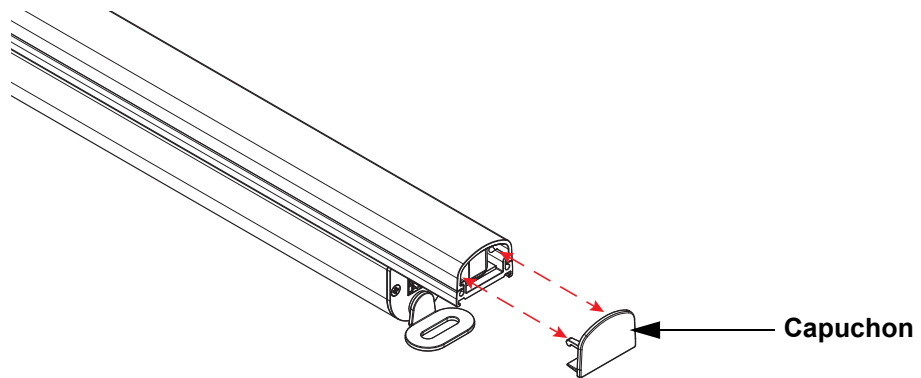
Mesurez les câbles d'une fiche à l'autre, comme indiqué



Les tolérances de longueur de câble varient d'un fabricant à l'autre. Vérifiez toujours que les câbles ont une longueur appropriée avant de les installer.

**Filtres**

Le LOGIC GZ L est livré avec un filtre « Very Wide » qui peut être installé ou retiré en enlevant l'un des capuchons et en faisant glisser le filtre entre le boîtier extérieur et les lentilles LED. Cette opération doit être effectuée sans outils.



Le filtre « Very Wide » est flexible et doit être plié pour être installé.



**ATTENTION** : L'utilisation d'outils pour retirer ou installer les capuchons peut endommager l'appareil.

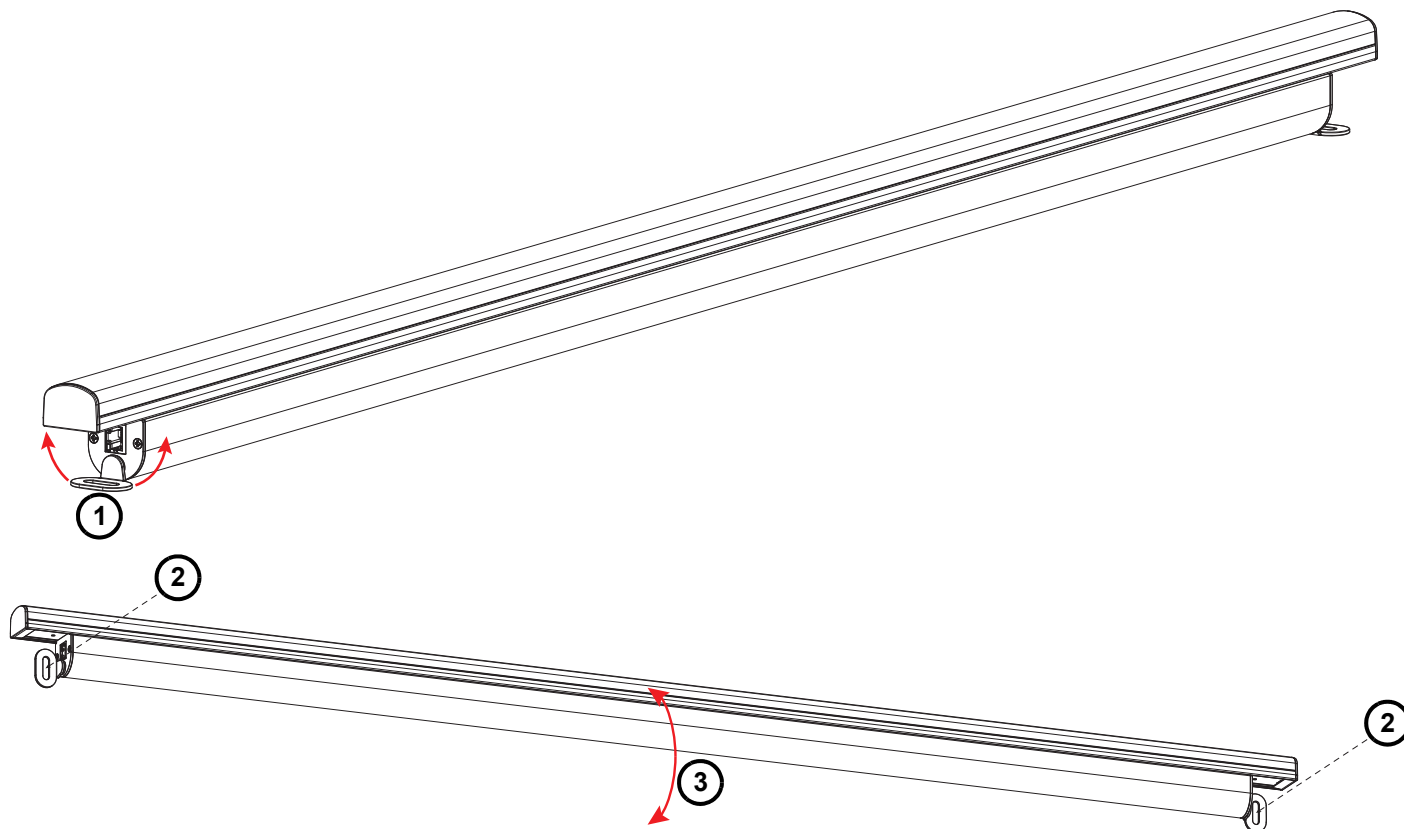
## Installation

Avant de monter cet appareil, lisez et assimilez les [Consignes de Sécurité](#). Assurez-vous que la surface et les dispositifs de montage peuvent supporter le poids de l'appareil.

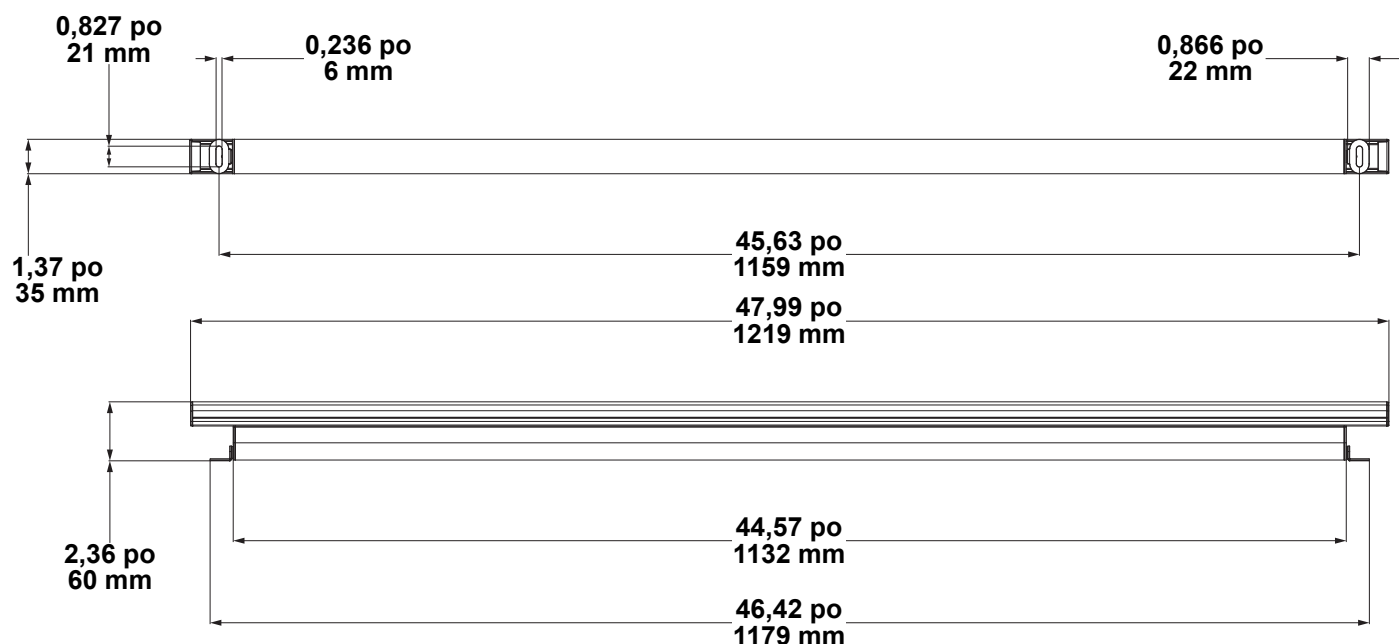
Pour monter le LOGIC GZ L L dans n'importe quelle orientation (éclairage vers le haut, éclairage vers le bas ou éclairage latéral) :

1. Faites pivoter les supports de montage intégrés afin qu'ils ne soient pas bloqués par le boîtier de l'appareil.
2. Fixez les supports à la surface de montage avec des vis ou des boulons M5, #10-32 ou #12-24.
3. Orientez le boîtier de l'appareil comme vous le souhaitez.

## Schéma de montage



Dimensions du produit



Plan du Menu

Accédez au menu du LOGIC GZ L par le biais du menu LOGIC DRIVE 2X **Linked Fixtures**.

Reportez-vous à la pages du produits LOGIC GZ L et LOGIC DRIVE 2X sur [www.iluminarc.com](http://www.iluminarc.com) pour la dernière plan du menu.

Menu Principal	Niveaux de Programmation		Description
<b>DMX Address</b>	<b>001–512</b>		Définir l'adresse DMX
<b>Personality</b>	<b>RED</b>		1 canal : gradateur (rouge seulement)
	<b>GREEN</b>		1 canal : gradateur (vert seulement)
	<b>BLUE</b>		1 canal : gradateur (bleu seulement)
	<b>WHITE</b>		1 canal : gradateur (blanc seulement)
	<b>TW</b>		2 canaux, Blanc réglable : gradateur, température de couleur
	<b>RGB</b>		3 canaux : contrôle RGB
	<b>RGBW</b>		4 canaux : contrôle RGBW
	<b>RGBW+D</b>		5 canaux : gradateur, contrôle RGBW
<b>Network</b>	<b>Net Switch</b>	<b>2.X.X.X</b>	Sélectionne la première valeur de l'adresse IP
		<b>10.X.X.X</b>	
<b>Local Info</b>	<b>Universe</b>	<b>000–255 / 001–256</b>	Sélectionne l'univers
		(Art-Net™) (sACN)	
<b>Factory Reset</b>	<b>Protocol</b>	----	Affiche le protocole de contrôle
	<b>Version</b>	V _ _ _	Affiche la version actuelle du micrologiciel
	<b>IP Address</b>	_ _ . _ _ . _ _ . _ _	Affiche l'adresse IP
	<b>Fixture Hours</b>	_ hours	Affiche le temps pendant lequel l'appareil est resté allumé
		_ _ minutes	
		_ _ seconds	
	<b>Label</b>	_ _ _ _ _ _ _ _	Affiche l'étiquette du produit
	<b>Device UID</b>	_ _ _ _ _ _ _ _	Affiche l'UID de l'appareil
<b>MAC Address</b>	_ _ _ _ _ _ _ _	Affiche l'adresse MAC actuelle	
<b>Temperature</b>	_ _ . _ °C	Affiche la température actuelle en °C	
<b>Factory Reset</b>	<b>No</b>		Réinitialise les paramètres d'usine par défaut
	<b>Yes</b>		

**Graphique RDM**

Reportez-vous à la page du produit LOGIC GZ L sur [www.iluminarc.com](http://www.iluminarc.com) pour la dernière graphique RDM.

GET	SET	Catégorie	ID de paramètre RDM (emplacement 21-22)	Valeur	Obligatoire	Détail
		Network Management	DISC_UNIQUE_BRANCH	0x0001	✓	
			DISC_MUTE	0x0002	✓	
			DISC_UN_MUTE	0x0003	✓	
✓		RDM Information	QUEUED_MESSAGE	0x0020		
✓			SUPPORTED_PARAMETERS	0x0050	✓	IDENTIFY_DEVICE, DEVICE_INFO, SOFTWARE_VERSION_LABEL, SUPPORTED_PARAMETERS, DMX_START_ADDRESS, DEVICE_MODEL_DESCRIPTION, MANUFACTURER_LABEL, DEVICE_LABEL, DMX_PERSONALITY, PERSONALITY_DESCRIPTION, SENSOR_DEFINITION, SENSOR_VALUE
✓			PARAMETER_DESCRIPTION	0x0051	✓	
✓		Product Information	DEVICE_INFO	0x0060	✓	1, RDM Protocol Version: V1.0; 2, Device_Mode_ID: 0x1733; 3, Product Category Defines: PRODUCT_CATEGORY_FIXTURE_FIXED; 4, Software Version ID; 5, DMX512 Footprint; 6, DMX512 Personality; 7, DMX512 Start Address; 8, Sensor Count;
			PRODUCT_DETAIL_ID_LIST	0x0070		
✓			DEVICE_MODEL_DESCRIPTION	0x0080		LOGICGZL
✓			MANUFACTURER_LABEL	0x0081		ILUMINARC
✓	✓		DEVICE_LABEL	0x0082		LOGICGZL
✓			SOFTWARE_VERSION_LABEL	0x00C0	✓	V_._
✓	✓		FACTORY_DEFAULTS			FACTORY_DEFAULTS : yes
✓	✓	DMX Setup	DMX_PERSONALITY	0x00E0		9pcs persons
✓			DMX_PERSONALITY_DESCRIPTION	0x00E1		RED/1CH, GREEN/1CH, BLUE/1CH, WHITE/1CH, TW/2CH, RGB/3CH, RGBW/4CH, RGBW+D/5CH, FULL/10CH
✓	✓		DMX_START_ADDRESS	0x00F0	✓	1-503
✓		Sensors	SENSOR_DEFINITION	0x0200		0.) Product Temperature __ °C
✓			SENSOR_VALUE	0x0201		—20° —100°
✓	✓	Control	IDENTIFY_DEVICE	0x1000	✓	Identify State: Off

**Valeurs DMX**

**FULL (10 canaux)**

Canal	Fonction	Valeur	Pourcentage/Paramétrage
1	<b>Gradateur</b>	000 ⇔ 255	0–100%
2	<b>Rouge</b>	000 ⇔ 255	0–100%
3	<b>Vert</b>	000 ⇔ 255	0–100%
4	<b>Bleu</b>	000 ⇔ 255	0–100%
5	<b>Blanc</b>	000 ⇔ 255	0–100%
6	<b>Température de couleur</b>	000 ⇔ 010	Pas de fonction
		011 ⇔ 020	1800K
		021 ⇔ 030	2200K
		031 ⇔ 040	2700K
		041 ⇔ 050	3000K
		051 ⇔ 060	3200K
		061 ⇔ 070	4000K
		071 ⇔ 080	4500K
		081 ⇔ 090	5000K
		091 ⇔ 100	5600K
		101 ⇔ 110	6000K
		111 ⇔ 120	6500K
		121 ⇔ 130	7000K
		131 ⇔ 140	8000K
141 ⇔ 150	10000K		
151 ⇔ 255	Pas de fonction		
7	<b>Stroboscope</b>	000 ⇔ 009	Pas de fonction
		010 ⇔ 099	Strobe, 0–25 Hz
		100 ⇔ 109	Pas de fonction
		110 ⇔ 179	Stroboscope de foudre, lent à rapide
		180 ⇔ 189	Pas de fonction
		190 ⇔ 255	Stroboscope aléatoire, lent à rapide
8	<b>Programmes automatiques</b>	000 ⇔ 040	Pas de fonction
		041 ⇔ 050	Programme automatique 1
		051 ⇔ 060	Programme automatique 2
		061 ⇔ 070	Programme automatique 3
		071 ⇔ 080	Programme automatique 4
		081 ⇔ 090	Programme automatique 5
		091 ⇔ 100	Programme automatique 6
		101 ⇔ 110	Programme automatique 7
		111 ⇔ 120	Programme automatique 8
		121 ⇔ 130	Programme automatique 9
		131 ⇔ 140	Programme automatique 10
141 ⇔ 255	Pas de fonction		
9	<b>Vitesse du programme</b>	000 ⇔ 255	Vitesse du programme automatique, lent à rapide
10	<b>Vitesse du gradateur</b>	000 ⇔ 009	Pas de fonction
		010 ⇔ 129	Active la courbe de gradateur
		130 ⇔ 255	Désactive la courbe de gradateur

**RGBW+D (5 canaux)**

Canal	Fonction	Valeur	Pourcentage/Paramétrage
1	<b>Gradateur</b>	000 ⇔ 255	0–100%
2	<b>Rouge</b>	000 ⇔ 255	0–100%
3	<b>Vert</b>	000 ⇔ 255	0–100%
4	<b>Bleu</b>	000 ⇔ 255	0–100%
5	<b>Blanc</b>	000 ⇔ 255	0–100%

**RGBW (4 canaux)**

Canal	Fonction	Valeur	Pourcentage/Paramétrage
1	<b>Rouge</b>	000 ⇔ 255	0–100%
2	<b>Vert</b>	000 ⇔ 255	0–100%
3	<b>Bleu</b>	000 ⇔ 255	0–100%
4	<b>Blanc</b>	000 ⇔ 255	0–100%



**RGB** (3 canaux)

Canal	Fonction	Valeur	Pourcentage/Paramétrage
1	Rouge	000 ⇔ 255	0–100%
2	Vert	000 ⇔ 255	0–100%
3	Bleu	000 ⇔ 255	0–100%

**TW** (Blanc réglable : 2 canaux)

Canal	Fonction	Valeur	Pourcentage/Paramétrage
1	Gradateur	000 ⇔ 255	0–100%
2	Température de couleur	000 ⇔ 010	Pas de fonction
		011 ⇔ 020	1800K
		021 ⇔ 030	2200K
		031 ⇔ 040	2700K
		041 ⇔ 050	3000K
		051 ⇔ 060	3200K
		061 ⇔ 070	4000K
		071 ⇔ 080	4500K
		081 ⇔ 090	5000K
		091 ⇔ 100	5600K
		101 ⇔ 110	6000K
		111 ⇔ 120	6500K
		121 ⇔ 130	7000K
		131 ⇔ 140	8000K
		141 ⇔ 150	10000K
151 ⇔ 255	Pas de fonction		

**WHITE** (Blanc, 1 canal)

Canal	Fonction	Valeur	Pourcentage/Paramétrage
1	Gradateur	000 ⇔ 255	Blanc seulement, 0–100%

**BLUE** (Bleu, 1 canal)

Canal	Fonction	Valeur	Pourcentage/Paramétrage
1	Gradateur	000 ⇔ 255	Bleu seulement, 0–100%

**GREEN** (Vert, 1 canal)

Canal	Fonction	Valeur	Pourcentage/Paramétrage
1	Gradateur	000 ⇔ 255	Vert seulement, 0–100%

**RED** (Rouge, 1 canal)

Canal	Fonction	Valeur	Pourcentage/Paramétrage
1	Gradateur	000 ⇔ 255	Rouge seulement, 0–100%

**Spécificités Techniques**

**Dimensions et Poids**

Longueur	Largeur	Hauteur	Poids
1219 mm (47,99 po)	35 mm (1,37 po)	60 mm (2,36 po)	1,9 kg (4,19 lb)

**Remarque:** Les dimensions en pouce sont arrondies.

**Alimentation**

Source d'alimentation	Tension d'entrée	Sélection de tension
Alimentation électrique par câble Ethernet	52-56 V CC	Fixe

Alimentation un seul appareil	Puissance totale de connexion par port	Chaînage électrique
37,5 W via POE	75 W via POE	2 produits par port 4 produits par LOGIC DRIVE 2X

E/S alimentation	US / Monde	UK / Europe
Connecteur d'entrée d'alimentation	Ethernet RJ45	Ethernet RJ45
Connecteur de sortie d'alimentation	Ethernet RJ45	Ethernet RJ45
Type de câble (obligatoire)	CAT6	CAT6

**Source lumineuse**

Type	Couleur	Quantité	Alimentation	Courant	Durée de vie
LED	RGBwW	36	2.5 W	870 mA	50 000 heures

**Photométrie**

Optique	Angle de faisceau	Angle de champ	Angle de coupure	Éclairage @ 5 m
Optique ouverte	124,8° x 124,7°	147,7° x 169,2°	266,2°	36 lux @ 5 m
Optique moyenne (installée)	41,5° x 32,5°	83,6° x 65°	132,7°	146 lux @ 5 m
Filtre « Very Wide » (inclus)	47,2° x 51,1°	169,5° x 151,8°	281,6°	41 lux @ 5 m

**Câblage**

Type de câble requis	Diamètre de conducteur requis	Matériau conducteur requis	Terminaison de câble requise
CAT6/A, blindé	≥23 AWG (≥0,5733 mm)	fil dénudé de cuivre massif (torsadés ne sont pas pris en charge)	RJ45, CAT6/A, blindé

**Câble recommandé** Longueur totale maximale de câble (DRIVE 2X au premier appareil) Longueur totale maximale de câble (DRIVE 2X au dernier appareil) Longueur totale maximale de câble (premier au dernier appareil)

Belden 2413F, 2412F, ou équivalent	100 m (328 pi)	140 m (460 pi)	40 m (131 pi)
------------------------------------	----------------	----------------	---------------

**Thermal**

Plage de température ambiante	Système de Refroidissement
-20 °C à 45 °C (-4 °F à 113 °F)	Convection

**Commande**

Description de l'Appareil	Nom de l'Appareil	Code de l'Article	Code UPC
LOGIC GZ L	LOGICGZL	1541732	781462220808

## Über diese Schnellanleitung

In der Schnellanleitung des LOGIC GZ L finden Sie die wesentlichen Produktinformationen, wie etwa über die Montage, Menüoptionen und DMX-Werte des Geräts. Laden Sie für weiterführende Informationen unter [www.iluminarc.com](http://www.iluminarc.com) das Benutzerhandbuch für das LOGIC DRIVE 2X herunter.

### Haftungsausschluss

Die in dieser Anleitung aufgeführten Informationen und Spezifikationen können ohne vorherige Ankündigung geändert werden.

### EINGESCHRÄNKTE GARANTIE

**ZUR REGISTRIERUNG FÜR GARANTIEANSPRÜCHE UND ZUR EINSICHT IN DIE VOLLSTÄNDIGEN GESCHÄFTSBEDINGUNGEN BESUCHEN SIE BITTE UNSERE WEBSITE.**

**Für Kunden in den USA und in Mexiko:** [www.www.iluminarc.com/warranty-registration-architectural-lighting](http://www.www.iluminarc.com/warranty-registration-architectural-lighting).

**Für Kunden im Vereinigten Königreich, in Irland, Belgien, den Niederlanden, Luxemburg, Frankreich und Deutschland:** [www.www.iluminarc.com/warranty-registration-architectural-lighting](http://www.www.iluminarc.com/warranty-registration-architectural-lighting).

Chauvet garantiert für die in der auf unserer Website veröffentlichten vollständigen eingeschränkten Garantie genannten Dauer und unter Vorbehalt der darin genannten Haftungsausschlüsse und -beschränkungen, dass dieses Produkt bei normalen Gebrauch frei von Material- und Verarbeitungsfehlern ist. Diese Garantie erstreckt sich nur auf den Erstkäufer des Produkts und ist nicht übertragbar. Zur Ausübung der unter dieser Garantie gewährten Rechte ist der Kaufbeleg in Form der Originalrechnung von einem autorisierten Händler vorzulegen, in der die Produktbezeichnung und das Kaufdatum vermerkt sein müssen. ES BESTEHEN KEINE WEITEREN AUSDRÜCKLICHEN ODER STILLSCHWEIGENDEN GARANTIEN. Diese Garantie gibt Ihnen besondere gesetzliche Rechte. Und Sie haben möglicherweise weitere Rechte, die von Land zu Land unterschiedlich sein können. Diese Garantie ist nur in den USA, im Vereinigten Königreich, in Irland, Belgien, den Niederlanden, Luxemburg, Frankreich, Deutschland und Mexiko gültig. Bezüglich der Garantiebestimmungen in anderen Ländern wenden Sie sich bitte an Ihren lokalen Händler.

### Sicherheitshinweise

- Die Leuchte sollte so positioniert werden, dass ein langes starres Schauen in die Leuchte in einem Abstand von weniger als 3,3 Fuß (1 m) nicht zu erwarten ist.
- Ist das externe flexible Kabel dieser Leuchte beschädigt, muss es durch ein gleichwertiges Kabel oder ein ausschließlich vom Hersteller oder dessen Vertriebspartner erhältliches Kabel ersetzt werden.
- Das in dieser Leuchte enthaltene Leuchtmittel darf nur vom Hersteller oder dessen Vertriebspartner oder einer ähnlich qualifizierten Person ausgetauscht werden.
- Die Leuchte ist ausschließlich für den professionellen Einsatz bestimmt.
- Dieses Gerät NICHT öffnen. Die eingebauten Komponenten sind für den Kunden wartungsfrei.
- NIEMALS in die Lichtquelle schauen, während das Gerät eingeschaltet ist.
- VORSICHT: Das Gehäuse dieses Produkts kann während des Betriebs heiß werden. Installieren Sie das Gerät an einem Ort mit ausreichender Belüftung und mit einem Abstand von mindestens 50 cm zu den angrenzenden Flächen.
- Belassen Sie KEINE entflammaren Materialien in einem Umkreis von 50 cm dieses Geräts, während es in Betrieb oder an der Stromversorgung angeschlossen ist.
- VORSICHT: Beim Transport des Geräts von einer Umgebung mit außergewöhnlichen Temperaturen in eine andere solche Umgebung (z. B. aus einem kalten Transporter in einen warm-feuchten Ballsaal) kann an der im Gerät enthaltenen Elektronik Wasser kondensieren. Um einen Defekt zu vermeiden, muss sich das Gerät erst in der neuen Umgebung akklimatisiert haben, bevor es an die Stromversorgung angeschlossen werden kann.
- Nehmen sie das Gerät NICHT im Freien oder an einem Ort in Betrieb, der durch Staubeentwicklung, übermäßige Hitze, Wasser oder hohe Luftfeuchtigkeit charakterisiert ist. (IP20)
- NIEMALS das Gerät in Betrieb nehmen, wenn Ihnen das Gehäuse, die Linsen oder das Kabel beschädigt erscheinen.
- Schließen Sie dieses Gerät NICHT an einen Dimmer oder Regelwiderstand an.
- Schließen Sie NUR dieses Produkt an die IEEE 802.3bt PoE-Stromquelle (PSE – Power Source Equipment) an.
- Bei ernsthaften Betriebsproblemen stoppen Sie umgehend die Verwendung des Geräts.
- Der Anlauffemperaturbereich liegt zwischen -4 °F bis 113 °F (-20 °C bis 45 °C). Starten Sie das Produkt nicht außerhalb dieses Bereichs.
- Der Betriebstemperaturbereich liegt zwischen -40 °F bis 113 °F (-40 °C bis 45 °C). Betreiben Sie das Produkt nicht außerhalb dieses Bereichs.
- Der Lagertemperaturbereich liegt zwischen -40 °F bis 167 °F (-40 °C bis 75 °C). Lagern Sie das Produkt nicht außerhalb dieses Bereichs.

### FCC-Konformität

Dieses Gerät erfüllt Teil 15, Teil B, der FCC-Bestimmungen. Der Betrieb ist an folgende zwei Bedingungen geknüpft:

1. Dieses Gerät darf keine schädlichen Interferenzen verursachen, und
2. Dieses Gerät muss empfangende Interferenzen aufnehmen können, auch Interferenzen, die eventuell einen unerwünschten Betrieb verursachen.

Jegliche Änderungen oder Modifikationen, die nicht ausdrücklich von der Partei genehmigt wurden, die für die Compliance zuständig ist, könnten die Berechtigung des Benutzers zum Betrieb dieses Geräts aufheben.

### Kontakt

Kunden außerhalb der USA, GB, Irland, Benelux, Frankreich, Deutschland oder Mexiko wenden sich an ihren Lieferanten, um den Kundensupport in Anspruch zu nehmen oder ein Produkt zurückzuschicken. Kontaktinformationen finden Sie im [Contact Us](#) am Ende dieses QRG.

### Packungsinhalt

- LOGIC GZ L
- „Very Wide“ Filter (Sehr breiter)
- Schnellanleitung

## Gleichstrom

Dieses Produkt wird vom LOGIC DRIVE 2X über eine CAT6-Verbindung mit 52-56 VDC versorgt. Laden Sie für weiterführende Informationen zum LOGIC DRIVE 2X unter [www.iluminarc.com](http://www.iluminarc.com) das Benutzerhandbuch herunter.

## Serienschaltung der Geräte

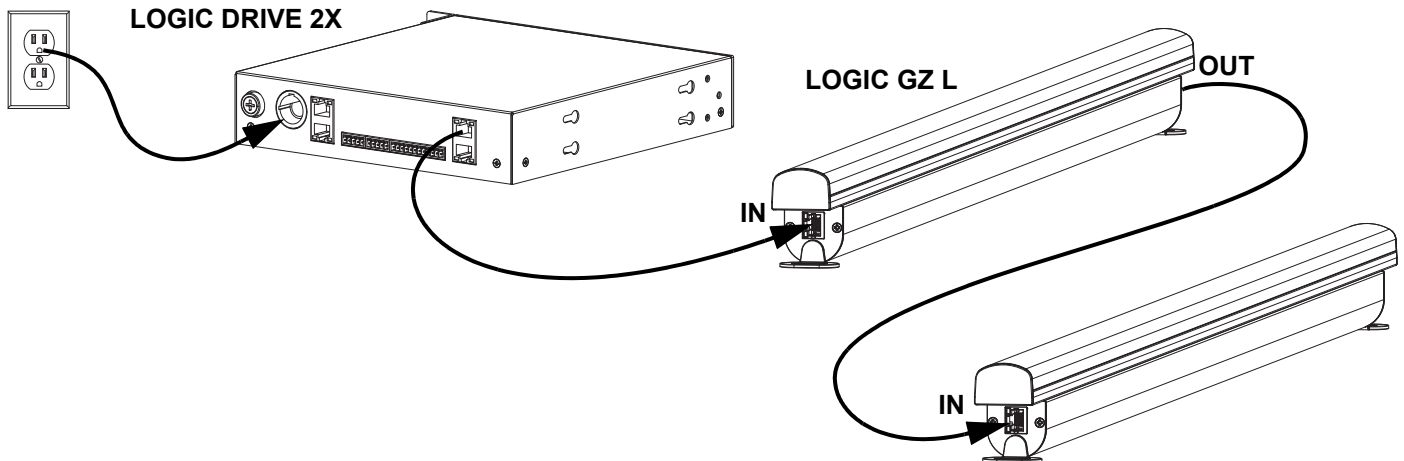
Sie können an einem Ausgang des LOGIC DRIVE 2X bis zu 2 LOGIC GZ L-Produkte anschließen.

## Signalverknüpfung

Der LOGIC GZ L erhält ein Steuersignal (DMX, RDM, Art-Net™ oder sACN) vom LOGIC DRIVE 2X über eine CAT6-Verbindung.

## Anschließen und Verkabelung

Der LOGIC GZ L verfügt über 1 IN (Eingang) und 1 OUT (Ausgang), für die eine CAT6/A Ethernet-Verbindung erforderlich ist.

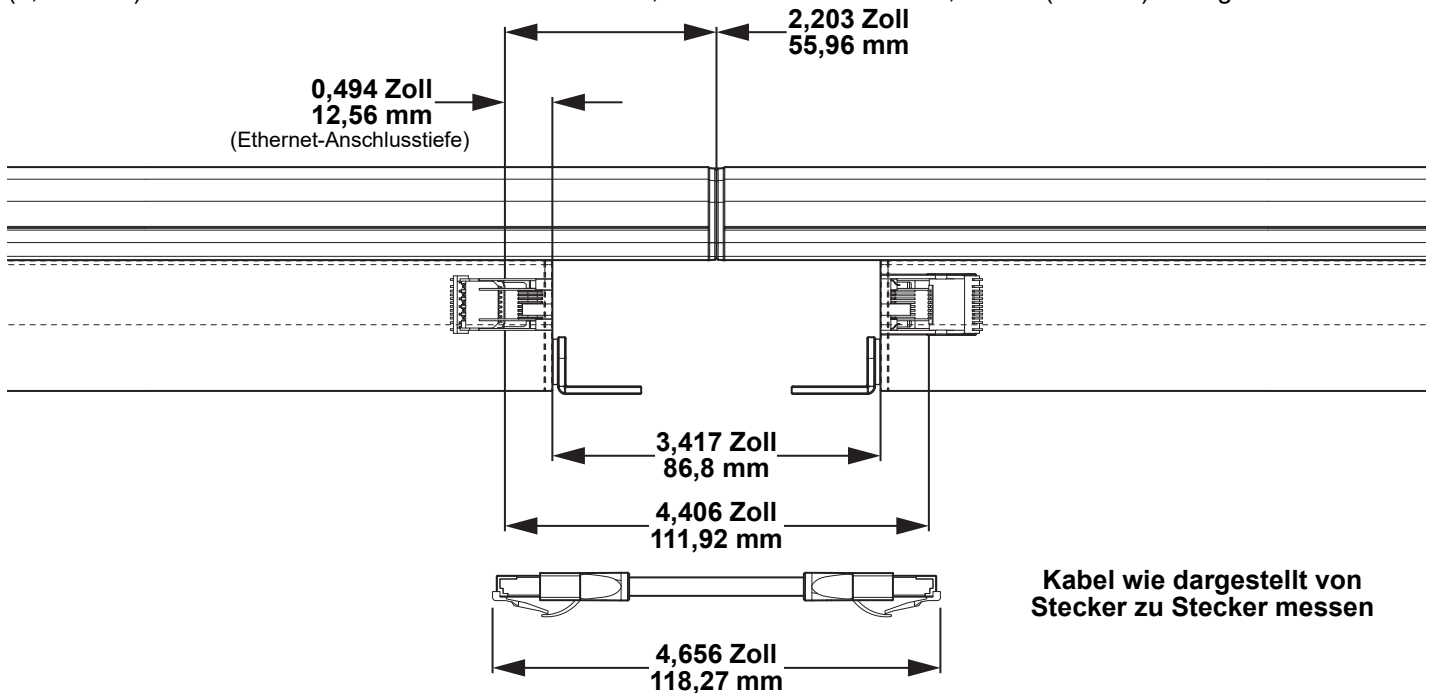


Kabelanforderungen:  $\geq 23$  AWG ( $\geq 0.5733$  mm) Kupferdraht, abgeschirmt, CAT6/A, mit RJ45-Steckverbindern abgeschlossen.

- Verseilte Leiter werden nicht unterstützt
- Maximale Gesamtkabellänge (LOGIC DRIVE 2X bis zum ersten Gerät):  $\leq 100$  m / 328 Fuß
- Maximale Gesamtkabellänge (LOGIC DRIVE 2X bis zum letzten Gerät):  $\leq 140$  m / 460 Fuß
- Maximale Gesamtkabellänge (Ersten bis zum letzten Gerät):  $\leq 40$  m / 131 Fuß

## Anleitung für Patchkabel

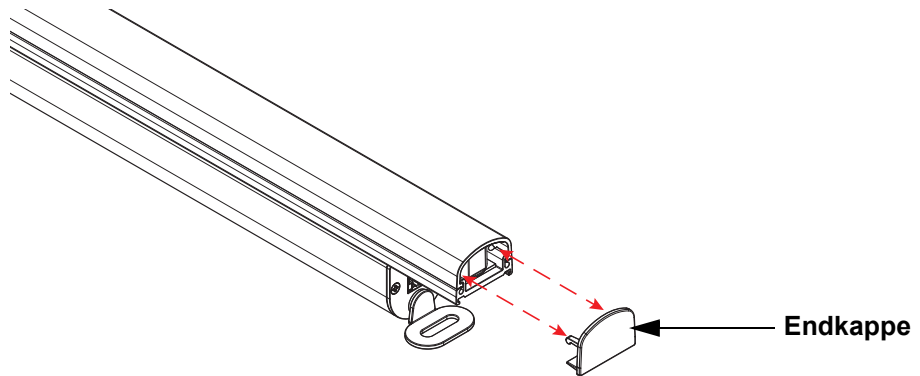
Ende-zu-Ende-montierte LOGIC GZ L-Produkte können mit einem CAT6-Patchkabel in einer Länge von 118,27 mm (4,656 Zoll) von Stecker zu Stecker verbunden werden, wobei die Toleranz +/- 6,35 mm (1/4 Zoll) beträgt.



Die Toleranzen für die Kabellänge variieren je nach Hersteller. Überprüfen Sie vor der Installation immer, ob die Kabel die richtige Länge haben.

## Filter

Der LOGIC GZ L wird mit einem „Very Wide“ Filter (Sehr breiter) geliefert. Dieser kann installiert oder abgebaut werden, indem Sie die Endkappen entfernen und den Filter zwischen dem äußeren Gehäuse und den LED-Linsen ein- und herauschieben. Dies sollte ohne Werkzeug erfolgen.



Der „Very Wide“ Filter (Sehr breiter) ist flexibel und muss zur Installation gebogen werden.



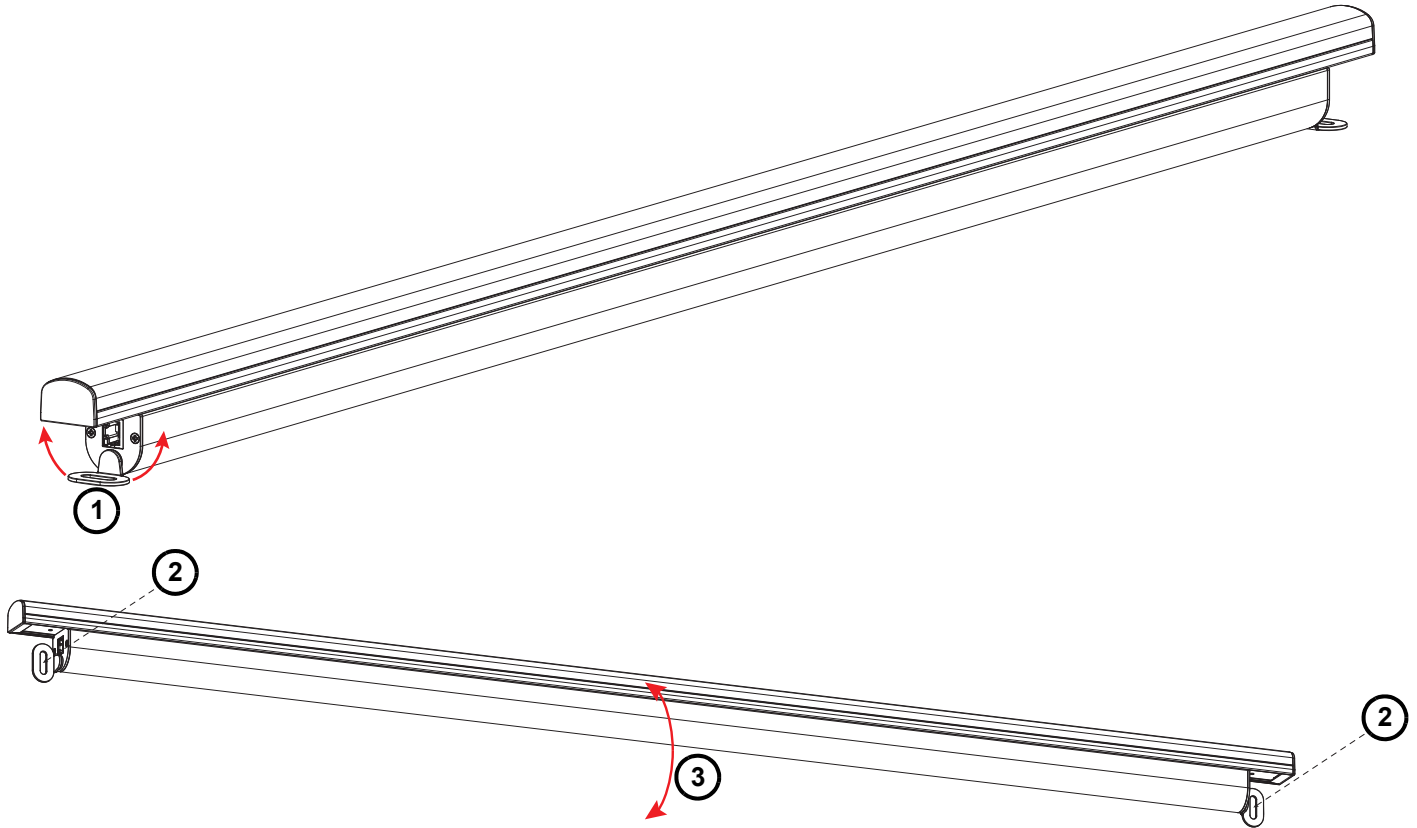
**WARNUNG:** Der Einsatz von Werkzeugen beim Ein- oder Ausbau der Endkappen kann zu Beschädigungen führen.

**Montage**

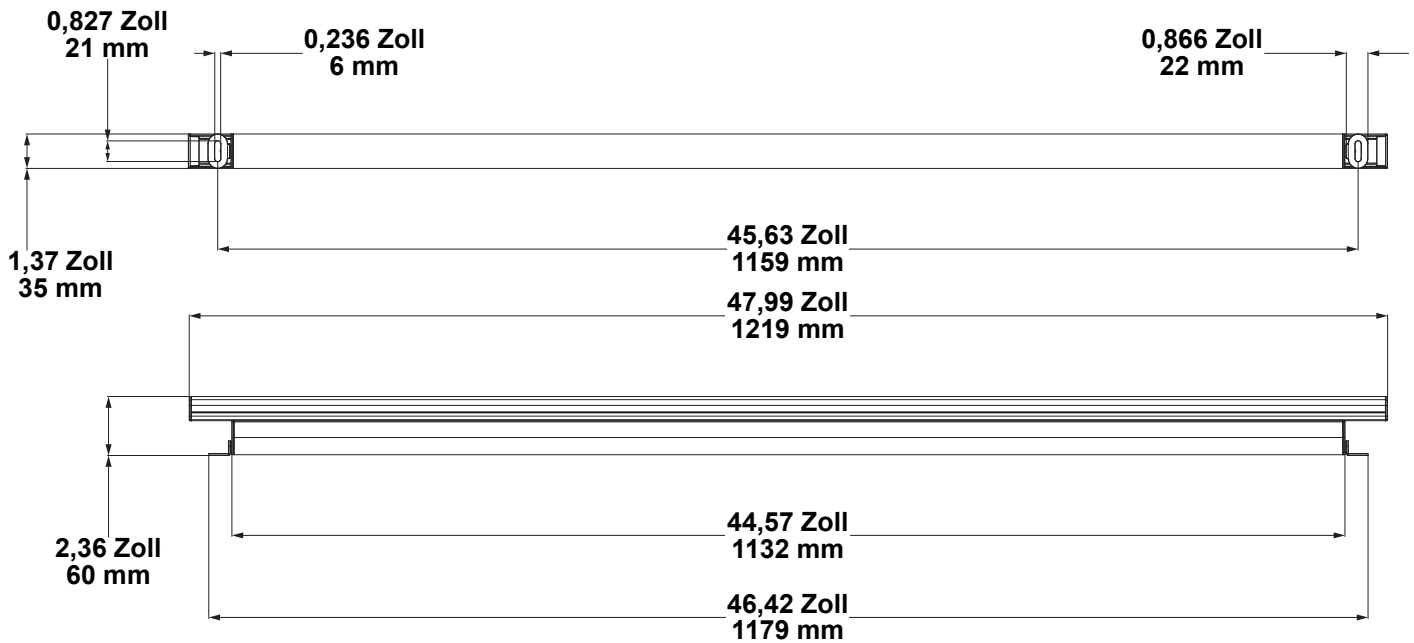
Lesen Sie vor der Montage dieses Geräts die [Sicherheitshinweise](#) durch. Stellen Sie sicher, dass die Montageoberfläche und die Hardware dafür ausgelegt sind, das Produktgewicht tragen zu können.

So montieren Sie den LOGIC GZ L in einer beliebigen Ausrichtung (Lichtstrahl nach oben, unten oder zur Seite):

1. Drehen Sie die integrierten Befestigungsbügel so, dass sie vom Produktgehäuse nicht blockiert sind.
2. Sichern Sie die Befestigungsbügel an der Montageoberfläche mit Schrauben oder Bolzen: M5, 10-32 oder 12-24.
3. Bringen Sie das Produktgehäuse in den gewünschten Winkel.

**Montagediagramm**

Produktabmessungen



Menükarte

Über das Menü für **Linked Fixtures** des LOGIC DRIVE 2X können Sie auf das Menü des LOGIC GZ L zugreifen. Die neueste Menükarte finden Sie auf der LOGIC GZ L- und LOGIC DRIVE 2X-Produktseite unter [www.iluminarc.com](http://www.iluminarc.com).

Hauptebene	Programmirebenen		Beschreibung
DMX Address	001–512		Stellt die DMX-Adresse ein
Personality	RED		1 Kanal: Dimmer (nur rot)
	GREEN		1 Kanal: Dimmer (nur grün)
	BLUE		1 Kanal: Dimmer (nur blau)
	WHITE		1 Kanal: Dimmer (nur weiß)
	TW		2 Kanäle, Regelbar weiß: Dimmer, Farbtemperatur
	RGB		3 Kanäle: RGB-Steuerung
	RGBW		4 Kanäle: RGBW-Steuerung
	RGBW+D		5 Kanäle: Dimmer, RGBW-Steuerung
Network	Net Switch	2.X.X.X	Damit wählen Sie den ersten Wert der IP-Adresse aus
		10.X.X.X	
	Universe	000–255 / 001–256 (Art-Net™) (sACN)	
Local Info	Protocol	----	Zeigt das Steuerungsprotokoll fest
	Version	V _._	Zeigt die Firmware-Version an
	IP Address	---.---.---.---	Zeigt die aktuelle IP-Adresse an
	Fixture Hours	_ hours	Zeigt an, wie lange das Gerät eingeschaltet gewesen ist
		__ minutes	
		__ seconds	
	Label	-----	Zeigt das Produktetikett an
	Device UID	-----	Zeigt die Geräte-UID an
MAC Address	-----	Zeigt die aktuelle MAC-Adresse an	
Temperature	--- °C	Zeigt die aktuelle Temperatur in °C an	
Factory Reset	No		Damit setzen auf die Werkseinstellungen zurück
	Yes		

**RDM-Diagramm**

Die neueste RDM-Diagramm finden Sie auf der LOGIC GZ L-Produktseite unter [www.iluminarc.com](http://www.iluminarc.com).

GET	SET	Kategorie	RDM-Parameter-IDs (Steckplatz 21-22)	Wert	Benötigte	Detail
		Network Management	DISC_UNIQUE_BRANCH	0x0001	✓	
			DISC_MUTE	0x0002	✓	
			DISC_UN_MUTE	0x0003	✓	
✓		RDM Information	QUEUED_MESSAGE	0x0020		
✓			SUPPORTED_PARAMETERS	0x0050	✓	IDENTIFY_DEVICE, DEVICE_INFO, SOFTWARE_VERSION_LABEL, SUPPORTED_PARAMETERS, DMX_START_ADDRESS, DEVICE_MODEL_DESCRIPTION, MANUFACTURER_LABEL, DEVICE_LABEL, DMX_PERSONALITY, PERSONALITY_DESCRIPTION, SENSOR_DEFINITION, SENSOR_VALUE
✓			PARAMETER_DESCRIPTION	0x0051	✓	
✓		Product Information	DEVICE_INFO	0x0060	✓	1, RDM Protocol Version: V1.0; 2, Device_Mode_ID: 0x1733; 3, Product Category Defines: PRODUCT_CATEGORY_FIXTURE_FIXED; 4, Software Version ID; 5, DMX512 Footprint; 6, DMX512 Personality; 7, DMX512 Start Address; 8, Sensor Count;
			PRODUCT_DETAIL_ID_LIST	0x0070		
✓			DEVICE_MODEL_DESCRIPTION	0x0080		LOGICGZL
✓			MANUFACTURER_LABEL	0x0081		ILUMINARC
✓	✓		DEVICE_LABEL	0x0082		LOGICGZL
✓			SOFTWARE_VERSION_LABEL	0x00C0	✓	V_._
✓	✓		FACTORY_DEFAULTS			FACTORY_DEFAULTS : yes
✓	✓		DMX_PERSONALITY	0x00E0		9pcs persons
✓		DMX Setup	DMX_PERSONALITY_DESCRIPTION	0x00E1		RED/1CH, GREEN/1CH, BLUE/1CH, WHITE/1CH, TW/2CH, RGB/3CH, RGBW/4CH, RGBW+D/5CH, FULL/10CH
✓	✓		DMX_START_ADDRESS	0x00F0	✓	1-503
✓		Sensors	SENSOR_DEFINITION	0x0200		0.) Product Temperature __ °C
✓			SENSOR_VALUE	0x0201		—20° —100°
✓	✓	Control	IDENTIFY_DEVICE	0x1000	✓	Identify State: Off



## DMX Werte

### FULL (10 Kanäle)

Kanal	Funktion	Wert	Prozent/Einstellung
1	Dimmer	000 ⇔ 255	0–100%
2	Rot	000 ⇔ 255	0–100%
3	Grün	000 ⇔ 255	0–100%
4	Blau	000 ⇔ 255	0–100%
5	Weiß	000 ⇔ 255	0–100%
6	Farbtemperatur	000 ⇔ 010	Keine Funktion
		011 ⇔ 020	1800K
		021 ⇔ 030	2200K
		031 ⇔ 040	2700K
		041 ⇔ 050	3000K
		051 ⇔ 060	3200K
		061 ⇔ 070	4000K
		071 ⇔ 080	4500K
		081 ⇔ 090	5000K
		091 ⇔ 100	5600K
		101 ⇔ 110	6000K
		111 ⇔ 120	6500K
		121 ⇔ 130	7000K
		131 ⇔ 140	8000K
		141 ⇔ 150	10000K
151 ⇔ 255	Keine Funktion		
7	Stroboskop	000 ⇔ 009	Keine Funktion
		010 ⇔ 099	Stroboskop, 0–25 Hz
		100 ⇔ 109	Keine Funktion
		110 ⇔ 179	Blitze-Stroboskop, langsam nach schnell
		180 ⇔ 189	Keine Funktion
		190 ⇔ 255	Zufalls-Strobe, langsam nach schnell
8	Automatischen Programme	000 ⇔ 040	Keine Funktion
		041 ⇔ 050	Automatische Programm 1
		051 ⇔ 060	Automatische Programm 2
		061 ⇔ 070	Automatische Programm 3
		071 ⇔ 080	Automatische Programm 4
		081 ⇔ 090	Automatische Programm 5
		091 ⇔ 100	Automatische Programm 6
		101 ⇔ 110	Automatische Programm 7
		111 ⇔ 120	Automatische Programm 8
		121 ⇔ 130	Automatische Programm 9
		131 ⇔ 140	Automatische Programm 10
141 ⇔ 255	Keine Funktion		
9	Programmgeschwindigkeit	000 ⇔ 255	Automatische Programmgeschwindigkeit, langsam nach schnell
10	Dimmergeschwindigkeit	000 ⇔ 009	Keine Funktion
		010 ⇔ 129	Aktiviert die Dimmerkurve
		130 ⇔ 255	Deaktiviert die Dimmerkurve

### RGBW+D (5 Kanäle)

Kanal	Funktion	Wert	Prozent/Einstellung
1	Dimmer	000 ⇔ 255	0–100%
2	Rot	000 ⇔ 255	0–100%
3	Grün	000 ⇔ 255	0–100%
4	Blau	000 ⇔ 255	0–100%
5	Weiß	000 ⇔ 255	0–100%

### RGBW (4 Kanäle)

Kanal	Funktion	Wert	Prozent/Einstellung
1	Rot	000 ⇔ 255	0–100%
2	Grün	000 ⇔ 255	0–100%
3	Blau	000 ⇔ 255	0–100%
4	Weiß	000 ⇔ 255	0–100%

# SCHNELLANLEITUNG

DE

ILUMINARC

## RGB (3 Kanäle)

Kanal	Funktion	Wert	Prozent/Einstellung
1	Rot	000 ⇔ 255	0–100%
2	Grün	000 ⇔ 255	0–100%
3	Blau	000 ⇔ 255	0–100%

## TW (Regelbar weiß: 2 Kanäle)

Kanal	Funktion	Wert	Prozent/Einstellung
1	Dimmer	000 ⇔ 255	0–100%
2	Farbtemperatur	000 ⇔ 010	Keine Funktion
		011 ⇔ 020	1800K
		021 ⇔ 030	2200K
		031 ⇔ 040	2700K
		041 ⇔ 050	3000K
		051 ⇔ 060	3200K
		061 ⇔ 070	4000K
		071 ⇔ 080	4500K
		081 ⇔ 090	5000K
		091 ⇔ 100	5600K
		101 ⇔ 110	6000K
		111 ⇔ 120	6500K
		121 ⇔ 130	7000K
		131 ⇔ 140	8000K
		141 ⇔ 150	10000K
151 ⇔ 255	Keine Funktion		

## WHITE (Weiß, 1 Kanal)

Kanal	Funktion	Wert	Prozent/Einstellung
1	Dimmer	000 ⇔ 255	Nur weiß, 0–100%

## BLUE (Blau, 1 Kanal)

Kanal	Funktion	Wert	Prozent/Einstellung
1	Dimmer	000 ⇔ 255	Nur blau, 0–100%

## GREEN (Grün, 1 Kanal)

Kanal	Funktion	Wert	Prozent/Einstellung
1	Dimmer	000 ⇔ 255	Nur grün, 0–100%

## RED (Rot, 1 Kanal)

Kanal	Funktion	Wert	Prozent/Einstellung
1	Dimmer	000 ⇔ 255	Nur rot, 0–100%

# SCHNELLANLEITUNG

ILUMINARC

DE

## Technische Daten

### Abmessungen und Gewicht

Länge	Breite	Höhe	Gewicht
1219 mm (47,99 Zoll)	35 mm (1,37 Zoll)	60 mm (2,36 Zoll)	1,9 kg (4,19 lb)

**Hinweis:** Abmessungen in Zoll sind gerundet.

### Leistungsaufnahme

Stromquelle	Eingangsspannung	Spannungsauswahl
Stromversorgung über Ethernet	52-56 VDC	Fest

Stromversorgung für Einzelgerät	Gesamtstromversorgung für Verknüpfung pro Anschluss	Power Linking
37,5 W über POE	75 W über POE	2 Produkte pro Anschluss 4 Produkte pro LOGIC DRIVE 2X

I/O-Eingangsbuchse	USA/Weltweit	GB/Europa
Stromeingangsbuchse	Ethernet RJ45	Ethernet RJ45
Stromausgangsbuchse	Ethernet RJ45	Ethernet RJ45
Kabeltyp (erforderlich)	CAT6	CAT6

### Leuchtquelle

Typ	Farbe	Menge	Leistungsaufnahme	Strom	Dauer
LED	RGBwW	36	2,5 W	870 mA	50.000 Stunden

### Lichttechnik

Optik	Abstrahlwinkel	Feldwinkel	Abschaltwinkel	Beleuchtungsstärke @ 5 m
Offene Optik	124,8° x 124,7°	147,7° x 169,2°	266,2°	36 lux @ 5 m
Mittlere Optik (installiert)	41,5° x 32,5°	83,6° x 65°	132,7°	146 lux @ 5 m
„Very Wide“ Filter (Sehr breiter, inbegriffen)	47,2° x 51,1°	169,5° x 151,8°	281,6°	41 lux @ 5 m

### Verkabelung

Erforderliche Kabelart	Erforderlicher Leiterdurchmesser	Erforderliches Leitermaterial	Erforderlicher Kabelabschluss
CAT6/A, abgeschirmt	≥23 AWG (≥0.5733 mm)	Blanker Kupferdraht (Verseilte werden nicht unterstützt)	RJ45, CAT6/A, abgeschirmt

Empfohlenes Kabel	Maximale Gesamtkabellänge (DRIVE 2X bis zum ersten Gerät)	Maximale Gesamtkabellänge (DRIVE 2X bis zum letzten Gerät)	Maximale Gesamtkabellänge (Ersten bis zum letzten Gerät)
Belden 2413F, 2412F, oder gleichwertig	100 m (328 Fuß)	140 m (460 Fuß)	40 m (131 Fuß)

### Wärmeentwicklung

Umgebungstemperaturbereich	Kühlung
-20 °C bis 45 °C (-4 °F bis 113 °F)	Konvektion

### Bestellung

Produktbezeichnung	Artikelname	Artikelcode	UPC-Nummer
LOGIC GZ L	LOGICGZL	1541732	781462220808

## Over deze handleiding

De LOGIC GZ L Beknopte Handleiding (BH) bevat basisinformatie over het product, zoals montage, menu-opties en DMX-waarden. Download de gebruikershandleiding voor de LOGIC DRIVE 2X op [www.iluminarc.com](http://www.iluminarc.com) voor meer informatie.

### Disclaimer

De informatie en specificaties in deze BH kunnen zonder voorafgaande kennisgeving worden gewijzigd.

### BEPERKTE GARANTIE

**GA NAAR ONZE WEBSITE VOOR REGISTRATIE VAN DE GARANTIE EN DE VOLLEDIGE ALGEMENE VOORWAARDEN.**

Voor klanten in de Verenigde Staten en Mexico: [www.www.iluminarc.com/warranty-registration-architectural-lighting](http://www.www.iluminarc.com/warranty-registration-architectural-lighting).

Voor klanten in het Verenigd Koninkrijk, Ierland, België, Nederland, Luxemburg, Frankrijk en Duitsland: [www.www.iluminarc.com/warranty-registration-architectural-lighting](http://www.www.iluminarc.com/warranty-registration-architectural-lighting).

Chauvet garandeert dat dit product bij normaal gebruik vrij zal blijven van defecten in materiaal en vakmanschap, voor de opgegeven periode en onder voorbehoud van de uitzonderingen en beperkingen die zijn uiteengezet in de volledige beperkte garantie op onze website. Deze garantie geldt uitsluitend voor de oorspronkelijke koper van het product en is niet overdraagbaar. Om onder deze garantie rechten uit te oefenen, moet u een aankoopbewijs overleggen in de vorm van een origineel verkoopbewijs van een geautoriseerde dealer, waarop de naam van het product en de aankoopdatum zichtbaar zijn. ER ZIJN GEEN ANDERE EXPLICIETE OF IMPLICIETE GARANTIES. Deze garantie geeft u specifieke wettelijke rechten. Mogelijk heeft u ook andere rechten die van staat tot staat en van land tot land verschillen. Deze garantie is uitsluitend geldig in de Verenigde Staten, het Verenigd Koninkrijk, Ierland, België, Nederland, Luxemburg, Frankrijk, Duitsland en Mexico. Neem contact op met uw lokale verkoper voor garantievoorwaarden in andere landen.

### Veiligheidsinstructies

- De armatuur moet zodanig geplaatst worden dat langdurig staren in de armatuur op een afstand van minder dan 3,3 voet (1 m) voorkomen wordt.
- Als de externe flexibele kabel of het snoer van deze armatuur beschadigd is, moet deze worden vervangen door een speciaal snoer of een snoer dat uitsluitend beschikbaar is bij de fabrikant of zijn onderhoudsagent.
- De lichtbron die in deze armatuur omvat is mag alleen vervangen worden door de fabrikant, of diens onderhoudsagent of een soortgelijk erkend persoon.
- De armatuur is uitsluitend bedoeld voor professioneel gebruik.
- Open het product NIET. Het bevat geen te onderhouden onderdelen.
- KIJK NIET in de lichtbron wanneer het apparaat is ingeschakeld.
- LET OP: De behuizing van dit product kan heet zijn wanneer het in bedrijf is.
- Monteer dit product op een plek met voldoende ventilatie, ten minste 50 cm van de aangrenzende oppervlakken.
- Plaats geen ontvlambaar materiaal binnen 50 cm van dit product als het in gebruik is of is aangesloten op het stopcontact.
- LET OP: Bij het verplaatsen van het product uit extreme omgevingen, (bijv. koude vrachtwagen naar warme, vochtige balzaal) kan er condensvorming optreden op de elektronica van het product. Om storingen te vermijden moet het product volledig kunnen acclimatiseren aan de omgeving voordat het op stroom wordt aangesloten.
- Gebruik dit product NIET buitenshuis of op een locatie waar stof, grote warmte, water of vochtigheid het kunnen beïnvloeden. (IP20)
- Gebruik dit product NIET als de behuizing, lenzen of kabels beschadigd lijken.
- Sluit dit product NIET aan op een dimmer of een regelweerstand.
- Sluit dit product UITSLUITEND aan op de IEEE 802.3bt POE voedingsbronapparatuur (PSE).
- Stop in het geval van ernstige operationele problemen onmiddellijk met het gebruik.
- Het opstarttemperatuurbereik is van -4 °F tot 113 °F (-20 °C tot 45 °C). Start het product niet buiten dit bereik.
- Het bedrijfstemperatuurbereik is van -40 °F tot 113 °F (-40 °C tot 45 °C). Gebruik het product niet buiten dit bereik.
- Het opslagtemperatuurbereik is van -40 °F tot 167 °F (-40 °C tot 75 °C). Bewaar het product niet buiten dit bereik.

### FCC-naleving

Dit apparaat voldoet aan Part 15 Part B van de FCC-regels. Het gebruik is onderworpen aan de volgende twee voorwaarden:

1. Dit apparaat mag geen schadelijke interferentie veroorzaken, en
2. Dit apparaat moet enige ontvangen interferentie accepteren, inclusief interferentie die een ongewenste werking kan veroorzaken.

Eventuele wijzigingen of aanpassingen die niet uitdrukkelijk door de voor naleving verantwoordelijke partij zijn goedgekeurd, kan de bevoegdheid van de gebruiker om de apparatuur te bedienen ongeldig verklaren.

### Contact

Van buiten de VS, Verenigd Koninkrijk, Ierland, Benelux, Frankrijk, Duitsland of Mexico kunt u contact opnemen met de distributeur of om ondersteuning vragen dan wel het product retourneren. Raadpleeg [Contact Us](#) aan het einde van deze BH voor contactinformatie.

### Wat is inbegrepen

- LOGIC GZ L
- Beknopte handleiding
- "Very Wide" filter (zeer breed)

## Gelijkstroom

Dit product wordt via een CAT6-aansluiting van 52-56 VDC door de LOGIC DRIVE 2X gevoed. Download de gebruikershandleiding voor de LOGIC DRIVE 2X vanaf [www.iluminarc.com](http://www.iluminarc.com) voor meer informatie.

## Power Linking

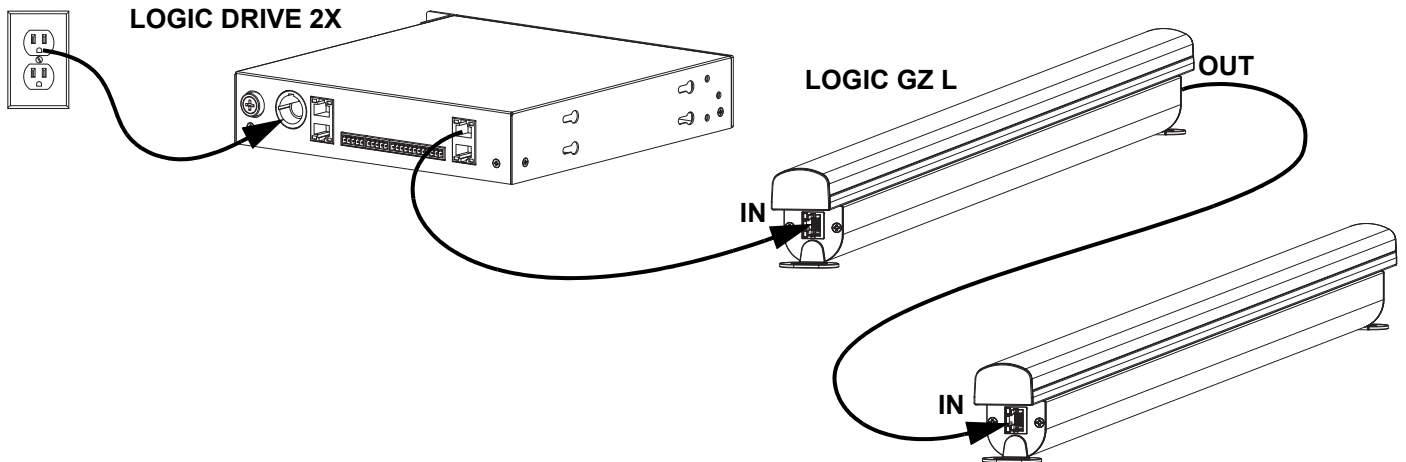
U kunt tot 3 LOGIC GZ L-producten koppelen vanaf één uitgang van de LOGIC DRIVE 2X.

## Signaalkoppeling

De LOGIC GZ L ontvangt via een CAT6-verbinding een regelsignaal (DMX, RDM, Art-Net™ of sACN) vanaf de LOGIC DRIVE 2X.

## Aansluiten en bekabelen

De LOGIC GZ L heeft een IN-poort en een OUT-poort (uit) die CAT6/A-ethernetverbindingen vereisen.

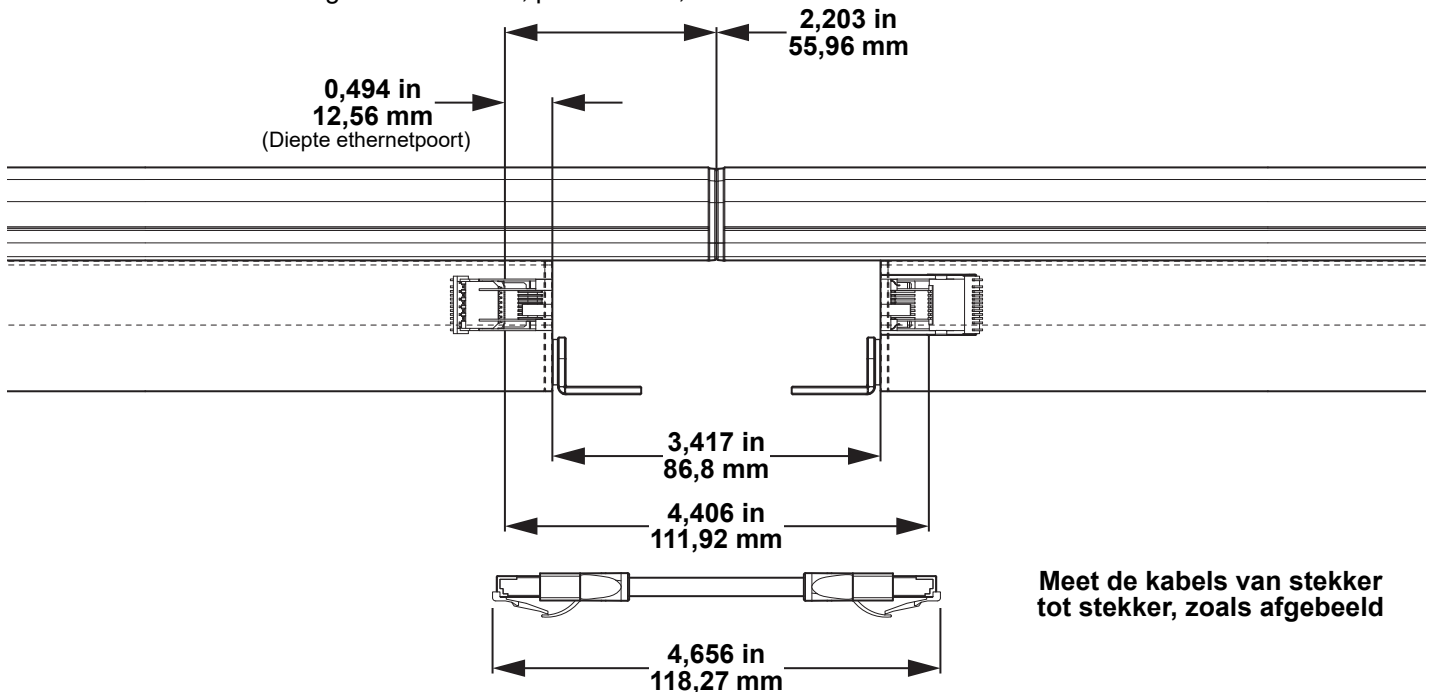


Kabelvereisten:  $\geq 23$  AWG ( $\geq 0,5733$  mm) massieve koperdraad, afgeschermd CAT6/A, afgesloten met RJ45-connectoren.

- Gevlochten geleiders, niet ondersteund
- Totale maximale kabellengte (LOGIC DRIVE 2X naar het eerste apparaat):  $\leq 100$  m / 328 ft
- Totale maximale kabellengte (LOGIC DRIVE 2X tot het laatste apparaat):  $\leq 140$  m / 460 ft
- Totale maximale kabellengte (Eerste apparaat tot het laatste apparaat):  $\leq 40$  m / 131 ft

## Gids voor de patchkabel

LOGIC GZ L -producten die einde-tot-einde gemonteerd zijn, kunnen met een CAT6-patchkabel van slechts 118,27 mm van stekker tot stekker aangesloten worden, plusminus 6,35 mm.



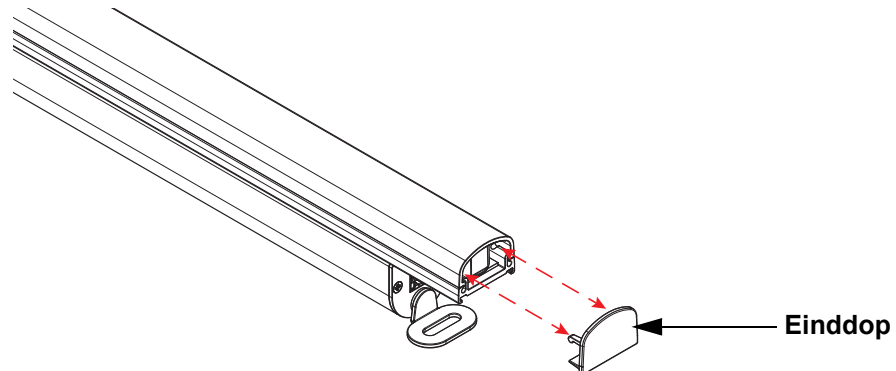
Meet de kabels van stekker tot stekker, zoals afgebeeld



De kabellengtetoleranties tussen fabrikanten variëren. Controleer vóór installatie altijd of kabels een geschikte lengte hebben.

**Filter**

De LOGIC GZ L wordt geleverd met een "Very Wide" filter (zeer breed) dat geïnstalleerd of gedeïnstalleerd kan worden door één van de eindkappen te verwijderen en het filter tussen de buitenbehuizing en de LED-lenzen in of uit te schuiven. Dit dient zonder gereedschap te gebeuren.



 Het "Very Wide" filter (zeer breed) is flexibel en dient gebogen te worden om geïnstalleerd te worden.



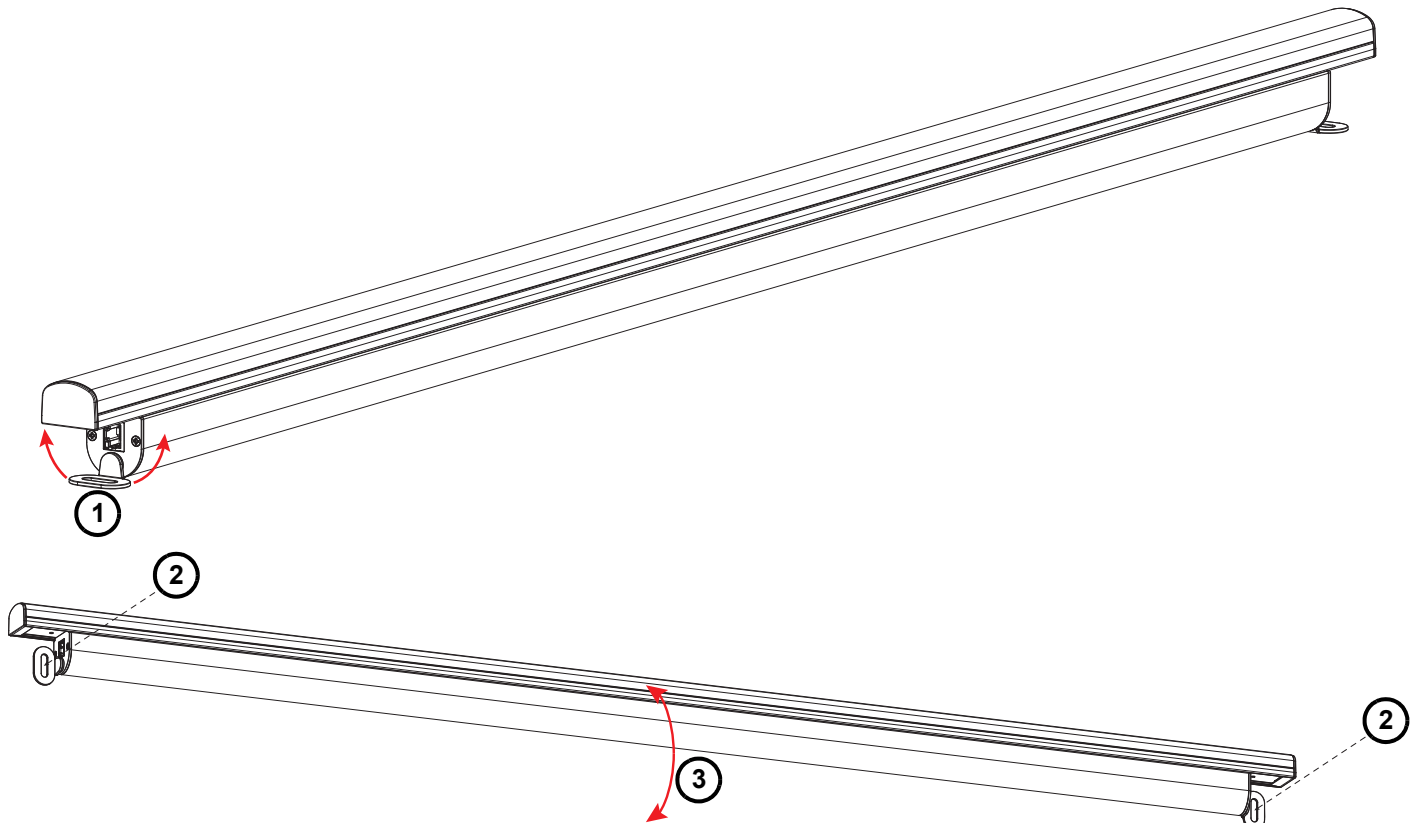
**WAARSCHUWING:** Het gebruik van gereedschap bij het verwijderen of installeren van de einddoppen kan schade aan het product veroorzaken.

**Montage**

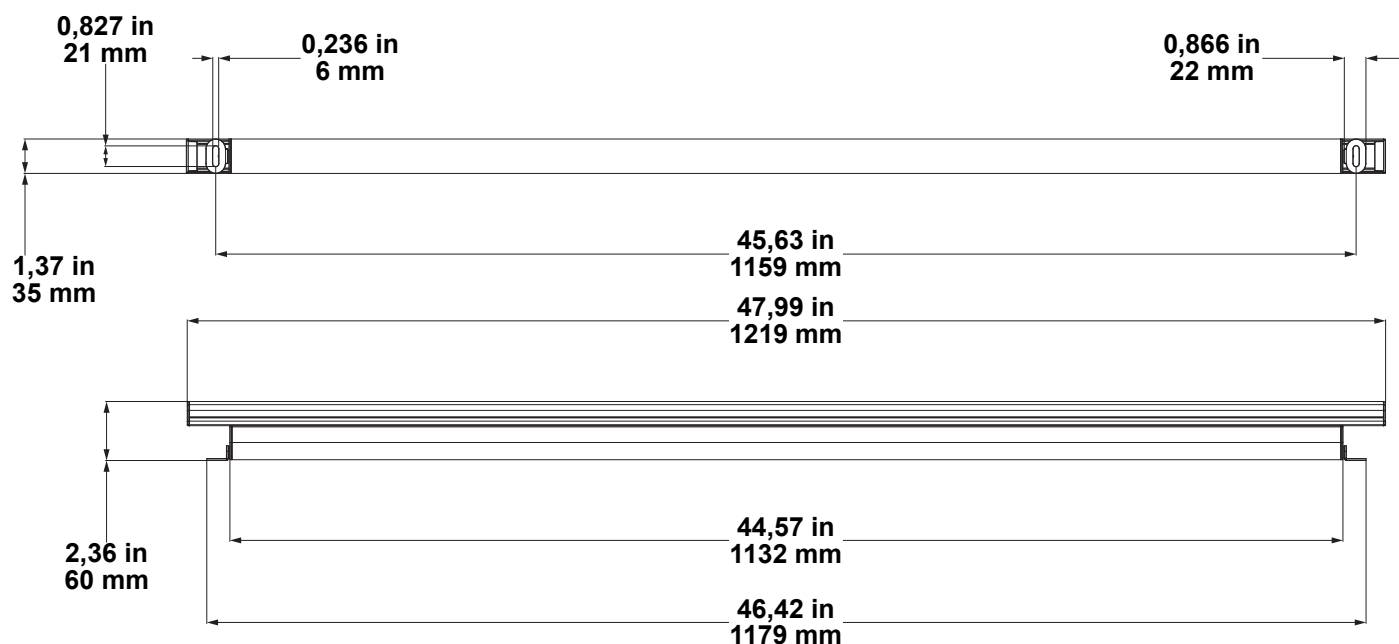
Lees alvorens dit product te monteren alle [Veiligheidsinstructies](#). Controleer of het montage-oppervlak en de apparatuur het gewicht van het product kan dragen.

Om de LOGIC GZ L in elke richting te monteren (opwaarts licht, neerwaarts licht of zijlicht):

1. Draai de geïntegreerde montagebeugels zodat ze niet door de behuizing van het product geblokkeerd worden.
2. Bevestig de beugels aan het montageoppervlak met M5, #10-32, of #12-24-schroeven of -bouten.
3. Indien nodig moet het lichaam van het product geheld worden.

**Montagediagram**

## Productafmetingen



## Menukaart

Ga via het menu van de LOGIC DRIVE 2X **Linked Fixtures** naar het menu van de LOGIC GZ L.

Raadpleeg de productpagina's van LOGIC GZ L en LOGIC DRIVE 2X op [www.iluminarc.com](http://www.iluminarc.com) voor de nieuwste menukaart.

Hoofdniveau	Programmeerniveaus	Beschrijving	
DMX Address	001–512	Selecteert het DMX-adres	
Personality	RED	1 kanaal: dimmer (alleen rood)	
	GREEN	1 kanaal: dimmer (alleen groen)	
	BLUE	1 kanaal: dimmer (alleen blauw)	
	WHITE	1 kanaal: dimmer	
	TW	2 kanalen, Aanpasbaar wit: dimmer, kleurtemperatuur	
	RGB	3 kanalen: RGB-besturing	
	RGBW	4 kanalen: RGBW-besturing	
	RGBW+D	5 kanalen: dimmer, RGBW-besturing	
	FULL	10 kanalen: dimmer, RGBW, kleurtemperatuur, stroboscoop, automatische programma's en snelheid, dimmer snelheid	
Network	Net Switch	2.X.X.X 10.X.X.X	
	Universe	000–255 / 001–256 (Art-Net™) (sACN)	
Local Info	Protocol	----	
	Version	V _._.	
	IP Address	---.'---.'---.'---	
	Fixture Hours	_ hours	Toont het aantal uren dat het product is ingeschakeld
		__ minutes	
		__ seconds	
	Label	POE Drive 2X	
	Device UID	-----	
MAC Address	-----		
Temperature	---.°C		
Factory Reset	No	Reset naar fabrieksinstellingen	
	Yes		

## RDM-kaart

Raadpleeg de productpagina van LOGIC GZ L op [www.iluminarc.com](http://www.iluminarc.com) voor de nieuwste RDM-kaart.

GET	SET	Categorie	RDM-Parameter-ID's (Sleuf 21-22)	Waarde	Verplicht	Detail
		Network Management	DISC_UNIQUE_BRANCH	0x0001	✓	
			DISC_MUTE	0x0002	✓	
			DISC_UN_MUTE	0x0003	✓	
✓		RDM Information	QUEUED_MESSAGE	0x0020		
✓			SUPPORTED_PARAMETERS	0x0050	✓	IDENTIFY_DEVICE, DEVICE_INFO, SOFTWARE_VERSION_LABEL, SUPPORTED_PARAMETERS, DMX_START_ADDRESS, DEVICE_MODEL_DESCRIPTION, MANUFACTURER_LABEL, DEVICE_LABEL, DMX_PERSONALITY, PERSONALITY_DESCRIPTION, SENSOR_DEFINITION, SENSOR_VALUE
✓			PARAMETER_DESCRIPTION	0x0051	✓	
✓		Product Information	DEVICE_INFO	0x0060	✓	1, RDM Protocol Version: V1.0; 2, Device_Mode_ID: 0x1733; 3, Product Category Defines: PRODUCT_CATEGORY_FIXTURE_FIXED; 4, Software Version ID; 5, DMX512 Footprint; 6, DMX512 Personality; 7, DMX512 Start Address; 8, Sensor Count;
			PRODUCT_DETAIL_ID_LIST	0x0070		
✓			DEVICE_MODEL_DESCRIPTION	0x0080		LOGICGZL
✓			MANUFACTURER_LABEL	0x0081		ILUMINARC
✓	✓		DEVICE_LABEL	0x0082		LOGICGZL
✓			SOFTWARE_VERSION_LABEL	0x00C0	✓	V._.
✓	✓		FACTORY_DEFAULTS			FACTORY_DEFAULTS : yes
✓	✓		DMX_PERSONALITY	0x00E0		9pcs persons
✓		DMX Setup	DMX_PERSONALITY_DESCRIPTION	0x00E1		RED/1CH, GREEN/1CH, BLUE/1CH, WHITE/1CH, TW/2CH, RGB/3CH, RGBW/4CH, RGBW+D/5CH, FULL/10CH
✓	✓		DMX_START_ADDRESS	0x00F0	✓	1-503
✓		Sensors	SENSOR_DEFINITION	0x0200		0.) Product Temperature __ °C
✓			SENSOR_VALUE	0x0201		—20° —100°
✓	✓	Control	IDENTIFY_DEVICE	0x1000	✓	Identify State: Off



**DMX-waarden****FULL (10 kanalen)**

Kanaal	Functie	Waarde	Percentage/Instelling
1	Dimmer	000 ⇔ 255	0–100%
2	Rood	000 ⇔ 255	0–100%
3	Groen	000 ⇔ 255	0–100%
4	Blauw	000 ⇔ 255	0–100%
5	Wit	000 ⇔ 255	0–100%
6	Kleurtemperatuur	000 ⇔ 010	Geen functie
		011 ⇔ 020	1800K
		021 ⇔ 030	2200K
		031 ⇔ 040	2700K
		041 ⇔ 050	3000K
		051 ⇔ 060	3200K
		061 ⇔ 070	4000K
		071 ⇔ 080	4500K
		081 ⇔ 090	5000K
		091 ⇔ 100	5600K
		101 ⇔ 110	6000K
		111 ⇔ 120	6500K
		121 ⇔ 130	7000K
		131 ⇔ 140	8000K
		141 ⇔ 150	10000K
151 ⇔ 255	Geen functie		
7	Stroboscoop	000 ⇔ 009	Geen functie
		010 ⇔ 099	Stroboscoop, 0–25 Hz
		100 ⇔ 109	Geen functie
		110 ⇔ 179	Bliksem stroboscoop, langzaam tot snel
		180 ⇔ 189	Geen functie
		190 ⇔ 255	Willekeurigstroboscoop, langzaam tot snel
8	Automatisch programma's	000 ⇔ 040	Geen functie
		041 ⇔ 050	Automatische programma 1
		051 ⇔ 060	Automatische programma 2
		061 ⇔ 070	Automatische programma 3
		071 ⇔ 080	Automatische programma 4
		081 ⇔ 090	Automatische programma 5
		091 ⇔ 100	Automatische programma 6
		101 ⇔ 110	Automatische programma 7
		111 ⇔ 120	Automatische programma 8
		121 ⇔ 130	Automatische programma 9
131 ⇔ 140	Automatische programma 10		
141 ⇔ 255	Geen functie		
9	Programmasnelheid	000 ⇔ 255	Automatic program speed, langzaam tot snel
10	Dimmersnelheid	000 ⇔ 009	Geen functie
		010 ⇔ 129	Activeert de dimmercurve
		130 ⇔ 255	Deactiveert de dimmercurve

**RGBW+D (5 kanalen)**

Kanaal	Functie	Waarde	Percentage/Instelling
1	Dimmer	000 ⇔ 255	0–100%
2	Rood	000 ⇔ 255	0–100%
3	Groen	000 ⇔ 255	0–100%
4	Blauw	000 ⇔ 255	0–100%
5	Wit	000 ⇔ 255	0–100%

**RGBW (4 kanalen)**

Kanaal	Functie	Waarde	Percentage/Instelling
1	Rood	000 ⇔ 255	0–100%
2	Groen	000 ⇔ 255	0–100%
3	Blauw	000 ⇔ 255	0–100%
4	Wit	000 ⇔ 255	0–100%

**RGB** (3 kanalen)

Kanaal	Functie	Waarde	Percentage/Instelling
1	Rood	000 ⇔ 255	0–100%
2	Groen	000 ⇔ 255	0–100%
3	Blauw	000 ⇔ 255	0–100%

**TW** (Aanpasbaar wit: 2 kanalen)

Kanaal	Functie	Waarde	Percentage/Instelling
1	Dimmer	000 ⇔ 255	0–100%
2	Kleurtemperatuur	000 ⇔ 010	Geen functie
		011 ⇔ 020	1800K
		021 ⇔ 030	2200K
		031 ⇔ 040	2700K
		041 ⇔ 050	3000K
		051 ⇔ 060	3200K
		061 ⇔ 070	4000K
		071 ⇔ 080	4500K
		081 ⇔ 090	5000K
		091 ⇔ 100	5600K
		101 ⇔ 110	6000K
		111 ⇔ 120	6500K
		121 ⇔ 130	7000K
		131 ⇔ 140	8000K
141 ⇔ 150	10000K		
151 ⇔ 255	Geen functie		

**WHITE** (Wit, 1 kanaal)

Kanaal	Functie	Waarde	Percentage/Instelling
1	Dimmer	000 ⇔ 255	Alleen wit, 0–100%

**BLUE** (Blauw, 1 kanaal)

Kanaal	Functie	Waarde	Percentage/Instelling
1	Dimmer	000 ⇔ 255	Alleen blauw, 0–100%

**GREEN** (Groen, 1 kanaal)

Kanaal	Functie	Waarde	Percentage/Instelling
1	Dimmer	000 ⇔ 255	Alleen groen, 0–100%

**RED** (Rood, 1 kanaal)

Kanaal	Functie	Waarde	Percentage/Instelling
1	Dimmer	000 ⇔ 255	Alleen rood, 0–100%

**Technische Specificaties****Afmetingen en gewicht**

Lengte	Breedte	Lengte	Gewicht
1219 mm (47,99 in)	35 mm (1,37 in)	60 mm (2,36 in)	1,9 kg (4,19 lb)

**Let op:** Afmetingen in inches zijn afgerond.

**Stroom**

Stroombron	Ingangsspanning	Spanning Selectie
Power Over Ethernet	52-56 VDC	Vaste

Vermogen met één armatuur	Totaal koppelvermogen per poort	Power Linking
37,5 W via POE	75 W via POE	2 producten per poort 4 producten per LOGIC DRIVE 2X

Stroom I/O	VS/wereldwijde	VK/Europa
Stroomingangsstekker	Ethernet RJ45	Ethernet RJ45
Stroomuitgangsstekker	Ethernet RJ45	Ethernet RJ45
Kabeltype (vereist)	CAT6	CAT6

**Lichtbron**

Type	Kleur	Aantal	Vermogen	Stroomsterkte	Levensduur
LED	RGBwW	36	2,5 W	870 mA	50.000 uur

**Photometrics**

Optieken	Stralingshoek	Field hoek	Drempelhoek	Verlichtingssterkte @ 5 m
Open optiek	124,8° x 124,7°	147,7° x 169,2°	266,2°	36 lux @ 5 m
Medium optica (geïnstalleerd)	41,5° x 32,5°	83,6° x 65°	132,7°	146 lux @ 5 m
“Very Wide” filter (zeer breed, inbegrepen)	47,2° x 51,1°	169,5° x 151,8°	281,6°	41 lux @ 5 m

**Bekabelen**

Vereist kabeltype	Vereiste diameter geleider	Vereist materiaal geleider	Vereiste afsluiter kabel
CAT6/A, afgeschermd	≥23 AWG (≥0,5733 mm)	Blote massieve koperdraad (gevlochten niet ondersteund)	RJ45, CAT6/A, afgeschermd

Aanbevolen kabel	Totale maximale kabellengte (DRIVE 2X naar het eerste apparaat)	Totale maximale kabellengte (DRIVE 2X tot het laatste apparaat)	Totale maximale kabellengte (Eerste apparaat tot het laatste apparaat)
Belden 2413F, 2412F, of gelijkwaardig	100 m (328 ft)	140 m (460 ft)	40 m (131 ft)

**Thermisch**

Omgevingstemperatuurbereik	Koelsysteem
-20 °C tot 45 °C (-4 °F tot 113 °F)	Convectie

**Bestellen**

Productbeschrijving	Productnaam	Artikelcode	UPC Nummer
LOGIC GZ L	LOGICGZL	1541732	781462220808

Contact Us

General Information	Technical Support
<b>World Headquarters</b>	
Address: 5200 NW 108th Ave. Sunrise, FL 33351 Voice: (954) 577-4455 Fax: (954) 929-5560 Toll Free: (800) 762-1084	Voice: (844) 393-7575 Fax: (954) 756-8015 Email: <a href="mailto:support@iluminarc.com">support@iluminarc.com</a> Website: <a href="http://www.iluminarc.com">www.iluminarc.com</a>
<b>U.K.</b>	
Address: Unit 1C Brookhill Road Industrial Estate Pinxton, Nottingham, UK NG16 6NT Voice: +44 (0) 1773 511115 Fax: +44 (0) 1773 511110	Email: <a href="mailto:UKtech@chauvetlighting.eu">UKtech@chauvetlighting.eu</a> Website: <a href="http://www.iluminarc.com">www.iluminarc.com</a>
<b>Benelux</b>	
Address: Stokstraat 18 9770 Kruishoutem Belgium Voice: +32 9 388 93 97	Email: <a href="mailto:BNLtech@chauvetlighting.eu">BNLtech@chauvetlighting.eu</a> Website: <a href="http://www.iluminarc.com">www.iluminarc.com</a>
<b>France</b>	
Address: 3, Rue Ampère 91380 Chilly-Mazarin France Voice: +33 1 78 85 33 59	Email: <a href="mailto:FRtech@chauvetlighting.fr">FRtech@chauvetlighting.fr</a> Website: <a href="http://www.iluminarc.com">www.iluminarc.com</a>
<b>Germany</b>	
Address: Bruno-Bürgel-Str. 11 28759 Bremen Germany Voice: +49 421 62 60 20	Email: <a href="mailto:DEtech@chauvetlighting.de">DEtech@chauvetlighting.de</a> Website: <a href="http://www.iluminarc.com">www.iluminarc.com</a>
<b>Mexico</b>	
Address: Av. de las Partidas 34 - 3B (Entrance by Calle 2) Zona Industrial Lerma Lerma, Edo. de México, CP 52000 Voice: +52 (728) 690-2010	Email: <a href="mailto:servicio@chauvet.com.mx">servicio@chauvet.com.mx</a> Website: <a href="http://www.iluminarc.com">www.iluminarc.com</a>

Visit the applicable website above to verify our contact information and instructions to request support. Outside the U.S., U.K., Ireland, Mexico, France, Germany, or Benelux, contact the dealer of record.



UL 1598  
CSA C22.2 No. 250  
E115166



RoHS

