

# LOGIC Drive 2X

## User Manual



Model ID: LOGICDRIVE2X

# ILUMINARC®

## Edition Notes

The LQGIC Drive 2X User Manual includes a description, safety precautions, installation, programming, operation and maintenance instructions for the LQGIC Drive 2X as of the release date of this edition.

## Trademarks

CHAUVET, the Chauvet logo, LQGIC, and LQGIC Drive 2X are registered trademarks or trademarks of Chauvet & Sons, LLC (d/b/a Chauvet and Chauvet Lighting) in the United States and other countries. Other company and product names and logos referred to herein may be trademarks of their respective companies.

## Copyright Notice

The works of authorship contained in this manual, including, but not limited to, all design, text and images are owned by Chauvet.

© **Copyright 2023 Chauvet & Sons, LLC. All rights reserved.**

Electronically published by Chauvet in the United States of America.

## Manual Use

Chauvet authorizes its customers to download and print this manual for professional information purposes only. Chauvet expressly prohibits the usage, copy, storage, distribution, modification, or printing of this manual or its content for any other purpose without written consent from Chauvet.

## Document Printing

For best results, print this document in color, on letter size paper (8.5 x 11 in), double-sided. If using A4 paper (210 x 297 mm), configure the printer to scale the content accordingly.

## Intended Audience

Any person installing, operating, and/or maintaining this product should completely read through the guide that shipped with the product, as well as this manual, before installing, operating, or maintaining this product.

## Disclaimer

Chauvet believes that the information contained in this manual is accurate in all respects. However, Chauvet assumes no responsibility and specifically disclaims any and all liability to any party for any loss, damage or disruption caused by any errors or omissions in this document, whether such errors or omissions result from negligence, accident or any other cause. Chauvet reserves the right to revise the content of this document without any obligation to notify any person or company of such revision, however, Chauvet has no obligation to make, and does not commit to make, any such revisions. Download the latest version from [www.iluminarc.com](http://www.iluminarc.com).

## Document Revision

This LQGIC Drive 2X User Manual is the 2<sup>nd</sup> edition of this document. Go to [www.iluminarc.com](http://www.iluminarc.com) for the latest version.

**TABLE OF CONTENTS**

**1. Before You Begin** ..... 1

    What Is Included ..... 1

    Claims ..... 1

    Text Conventions ..... 1

    Symbols ..... 1

    FCC Statement of Compliance ..... 1

    Safety Notes..... 2

        Personal Safety..... 2

        Mounting and Rigging ..... 2

        Power and Wiring ..... 2

        Operation ..... 2

**2. Introduction** ..... 3

    Description ..... 3

    Features ..... 3

    Product Overview ..... 3

        Front Panel Overview..... 3

            Front Panel Description ..... 3

        Rear Panel Overview ..... 3

            Rear Panel Description..... 3

    Product Dimensions ..... 4

**3. Setup** ..... 5

    AC Power ..... 5

        Emergency Backup Power ..... 5

        AC Plug ..... 5

        Fuse Replacement ..... 5

    LQIC Wall Controller ..... 6

        RJ12 Cable Wiring ..... 6

    Signal Connections ..... 7

        Control Personalities ..... 7

        DMX Linking..... 7

            Remote Device Management (RDM)..... 7

            DMX/RDM Connection Diagram..... 7

        Art-Net™ Connection ..... 8

        sACN Connection..... 8

            Ethernet Connection Diagram ..... 8

    Terminating CAT6 Cables with RJ45 Connectors..... 8

    LQIC Product Chaining ..... 9

        Mixing LQIC Products..... 10

        LQIC POE X Linking..... 10

    Mounting ..... 11

        Orientation..... 11

        Rigging ..... 11

        Rack Mounting ..... 11

        Wall/Surface Mounting ..... 11

            Mounting Diagram ..... 11

<b>4. Operation</b> .....	12
Control Panel Description .....	12
Programming.....	12
Password .....	12
Menu Map .....	12
RDM Chart .....	15
Home Screen .....	16
Control Protocol .....	16
Local.....	16
Net Switch.....	16
Universe .....	16
Password Lock.....	16
Output Status .....	17
Local Information.....	17
Priority .....	17
Reset.....	17
History .....	17
Disconnecting Products from the LQGIC Drive 2X .....	17
Linked Fixture.....	18
Linked LQGIC Product Menu Map .....	18
Individual LQGIC Product Configuration .....	19
Control Personality (Individual).....	19
Starting Address .....	19
Network Settings .....	19
Factory Reset .....	19
Information.....	19
Renew .....	20
Control Personality (Global) .....	20
Power Selection .....	20
Breaking Signal .....	20
Control Channel Assignments and Values.....	21
FULL (10 Channels).....	21
RGBW+D (5 Channels).....	22
RGBW (4 Channels) .....	22
RGB (3 Channels).....	22
TW (Tunable White: 2 Channels) .....	22
WHITE (1 Channel).....	23
BLUE (1 Channel) .....	23
GREEN (1 Channel).....	23
RED (1 Channel).....	23
Static .....	23
Record.....	24
Recording.....	24
Display Menu Playback .....	24
Scene Brightness (via Display Menu).....	24
LQGIC Wall Controller Playback .....	24
Scene Brightness (via LQGIC Wall Controller).....	24
Scene Lock.....	24
Erase Recording .....	25

---

System Clock .....	25
Setting Clock .....	25
Schedule .....	25
Everyday .....	25
By date .....	26
By week .....	26
Fade In and Fade Out .....	26
Enable Clock .....	26
Web Server .....	27
Home .....	27
Status .....	28
Fixture List .....	28
Settings .....	29
Administrator Settings .....	30
Firmware Update .....	30
<b>5. Maintenance .....</b>	<b>31</b>
Product Maintenance .....	31
<b>6. Technical Specifications .....</b>	<b>32</b>
<b>Contact Us .....</b>	<b>33</b>
Warranty & Returns .....	33

# 1. Before You Begin

## What Is Included

- LQIG Drive 2X
- Seetronic Powerkon IP65 power cable
- LQIG Wall Controller
- 2 short rack ear brackets
- Quick Reference Guide

## Claims

Carefully unpack the product immediately and check the container to make sure all the parts are in the package and are in good condition.




If the box or the contents (the product and included accessories) appear damaged from shipping, or show signs of mishandling, notify the carrier immediately, not Chauvet. Failure to report damage to the carrier immediately may invalidate your claim. In addition, keep the box and contents for inspection.

For other issues, such as missing components or parts, damage not related to shipping, or concealed damage, file a claim with Chauvet within 7 days of delivery.

## Text Conventions

Convention	Meaning
<b>1–512</b>	A range of values
<b>50/60</b>	A set of values of which only one can be chosen
<b>Settings</b>	A menu option not to be modified
<b>&lt;ENTER&gt;</b>	A key to be pressed on the product's control panel

## Symbols

Symbol	Meaning
	Critical installation, configuration, or operation information. Not following these instructions may make the product not work, cause damage to the product, or cause harm to the operator.
	Important installation or configuration information. The product may not function correctly if this information is not used.
	Useful information.



The term “DMX” used throughout this manual refers to the USITT DMX512-A digital data transmission protocol.

## FCC Statement of Compliance

This device complies with Part 15 Part B of the FCC rules. Operation is subject to the following two conditions:

1. This device may not cause harmful interference, and
2. This device must accept any interference received, including interference that may cause undesired operation.

This equipment has been tested and found to comply with the limits for a Class B digital device, pursuant to Part 15 of the FCC Rules. These limits are designed to provide reasonable protection against harmful interference in a residential installation. This equipment generates uses and can radiate radio frequency energy and, if not installed and used in accordance with the instructions, may cause harmful interference to radio communications. However, there is no guarantee that interference will not occur in a particular installation. If this equipment does cause harmful interference to radio or television reception, which can be determined by turning the equipment off and on, the user is encouraged to try to correct the interference by one or more of the following measures:

- Reorient or relocate the receiving antenna.
- Increase the separation between the equipment and receiver.
- Connect the equipment into an outlet on a circuit different from that to which the receiver is connected.
- Consult the dealer or an experienced radio/TV technician for help.

Any changes or modifications not expressly approved by the party responsible for compliance could void the user's authority to operate the equipment.

## Safety Notes

Read all the following safety notes before working with this product. These notes contain important information about the installation, usage, and maintenance of this product.



**This product contains no user-serviceable parts. Any reference to servicing in this User Manual will only apply to properly trained, certified technicians. Do not open the housing or attempt any repairs.**



**All applicable local codes and regulations apply to proper installation of this product.**

## Personal Safety

- Always disconnect the product from the power source before cleaning or replacing the fuse.
- Always connect the product to a grounded circuit to avoid the risk of electrocution.
- Do not touch the product's housing when operating because it may be very hot.

## Mounting and Rigging

- The product is intended for professional use only.
- DO NOT operate this product outdoors or in any location where dust, excessive heat, water, or humidity may affect it. (IP20)
- CAUTION: When transferring product from extreme temperature environments, (e.g., cold truck to warm humid ballroom) condensation may form on the internal electronics of the product. To avoid causing a failure, allow product to fully acclimate to the surrounding environment before connecting it to power.
- Mount this product in a location with adequate ventilation, at least 20 in (50 cm) from adjacent surfaces.
- Make sure there are no flammable materials within 20 in (50 cm) of this product while it is operating.
- When hanging this product, always secure to a fastening device using a safety cable.
- Never carry the product by the power cord.

## Power and Wiring

- Make sure the power cord is not crimped or damaged.
- Always make sure you are connecting this product to the proper voltage in accordance with the specifications in this manual or on the product's specification label.
- Never connect this product to a dimmer pack or rheostat.
- Make sure to replace the fuse with another of the same type and rating.
- Never disconnect this product by pulling or tugging on the power cable.
- If the external flexible cable or cord of this product is damaged, it shall be replaced with a special cable or cord exclusively available from the manufacturer or its service agent.

## Operation

- Do not operate this product if there is damage on the housing or cables. Have the damaged parts replaced by an authorized technician at once.
- Do not cover the ventilation slots when operating to avoid internal overheating.
- The maximum ambient temperature is 113 °F (45 °C). Do not operate this product at higher temperatures.
- The minimum startup temperature is -4°F (-20°C). Do not start the product at lower temperatures.
- The minimum ambient temperature is -22°F (-30°C). Do not operate the product at lower temperatures.
- In the event of a serious operation problem, stop using this product immediately!



If your Chauvet product requires service, contact Chauvet Technical Support.

## 2. Introduction

### Description

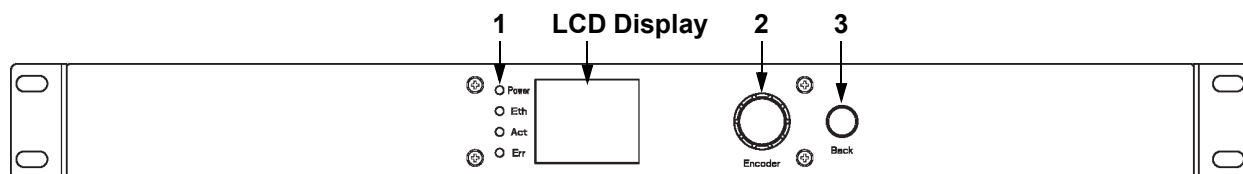
The Iluminarc LQIGIC Drive 2X is the heart of the LQIGIC Lighting System. With two Ethernet outputs supplying 110W each (Power Over Ethernet), the LQIGIC Drive 2X functions as the central control and power unit of the LQIGIC System. Accepting a variety of control schemes, the Drive also integrates calendar and scheduling functions, and easily connects to an included eight button wall panel or any industry standard wall controller.

### Features

- 2 POE (Power Over Ethernet) outputs, each supplying up to 110W
- Control options include standard wall controllers, or DMX input via 5-pin XLR, Art-Net, or sACN
- Occupancy sensor-enabled
- Supports fixture hot-swapping and automatic fixture detection
- Current and voltage monitoring
- RDM compliant

### Product Overview

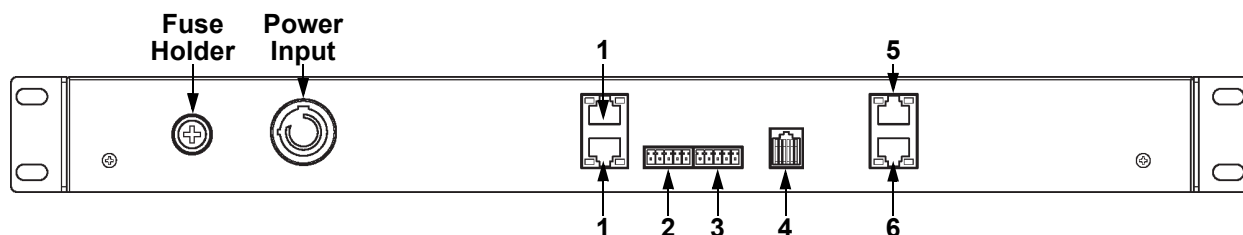
#### Front Panel Overview



#### Front Panel Description

#	Name	Function
1	LED indicators	<b>POWER:</b> green, indicates power connection <b>NET:</b> yellow, indicates ethernet connection <b>ACT:</b> white, indicates controller signal <b>ERROR:</b> red, indicates an error (see <b>Warning Messages</b> in the menu)
2	<MENU> knob	Rotate to navigate upwards or downwards through the menu list, and increase or decrease a selected numeric value. Push to enable the currently displayed menu option or set the currently selected value into the selected function.
3	<ESC/BACK> button	Exits the current menu or function

#### Rear Panel Overview

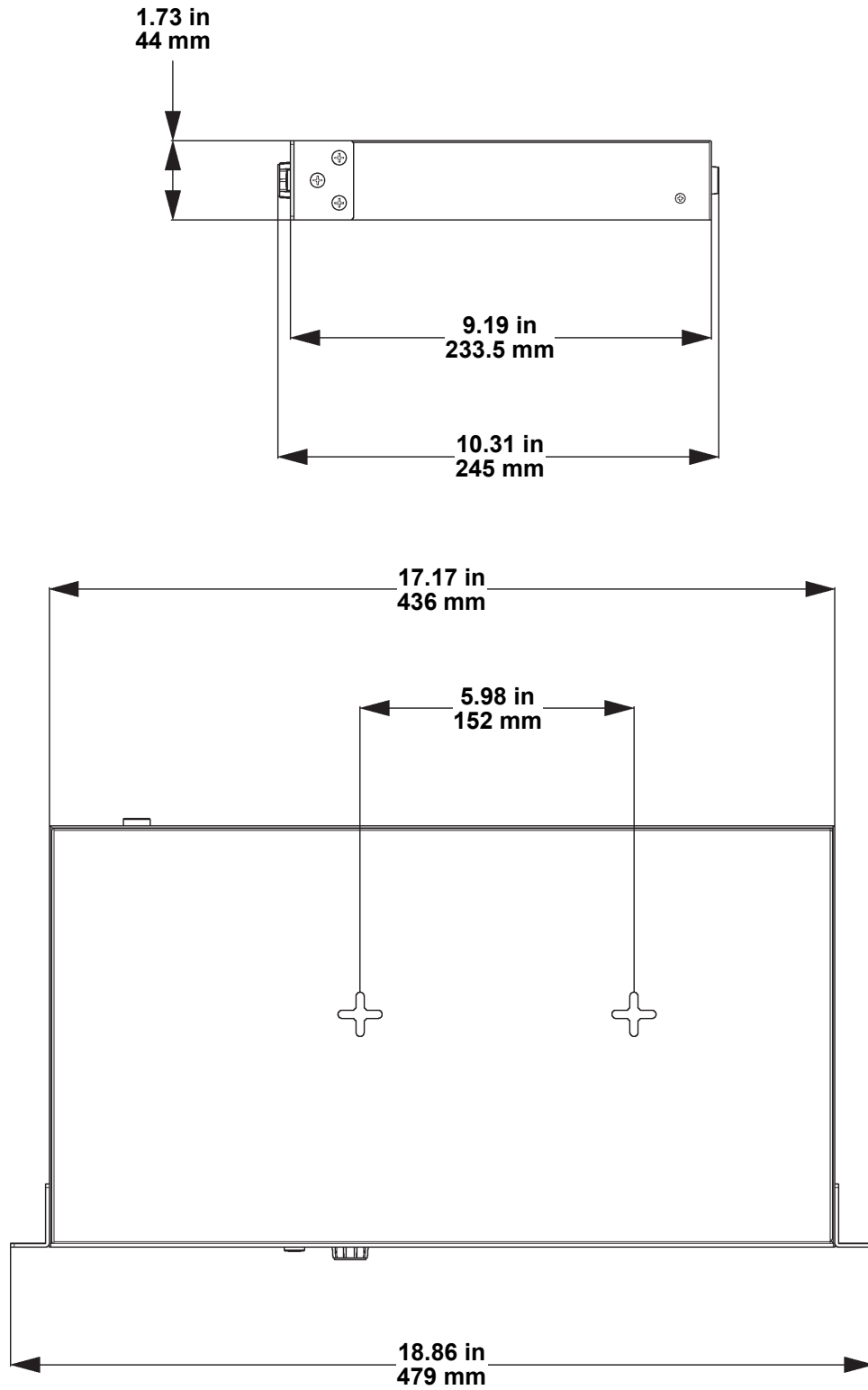


#### Rear Panel Description

#	Name	Function
1	IN/THRU	RJ45 connectors for ethernet input and through
2	DMX IN	5-pin phoenix connector for DMX input
3	DMX OUT	5-pin phoenix connector for DMX output
4	WALL CON	RJ12 connector for LQIGIC Wall Controller
5	OUTPUT 1	RJ45 connector for output to first group of LQIGIC products
6	OUTPUT 2	RJ45 connector for output to second group of LQIGIC products



Product Dimensions



### 3. Setup

#### AC Power

The LQGIC Drive 2X has an auto-ranging power supply and it can work with an input voltage range of 100 to 240 VAC, 50/60 Hz.

To determine the product's power requirements (circuit breaker, power outlet, and wiring), use the current value listed on the label affixed to the product's back panel, or refer to the [Technical Specifications](#). The listed current rating indicates the product's average current draw under normal conditions.



**Always connect the product to a protected circuit (a circuit breaker or fuse). Make sure the product has an appropriate electrical ground to avoid the risk of electrocution or fire.**

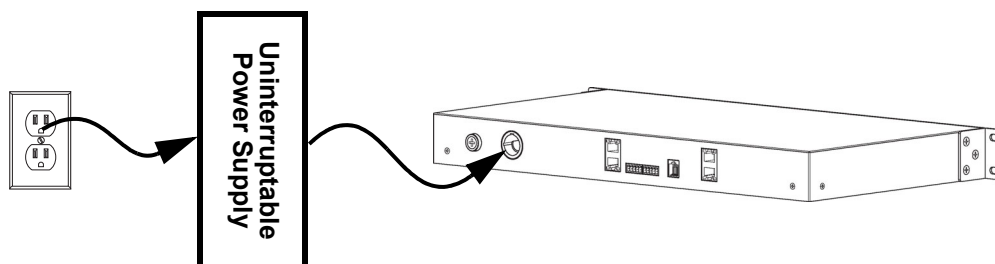


**Never connect the product to a rheostat (variable resistor) or dimmer circuit, even if the rheostat or dimmer channel serves only as a 0 to 100% switch.**

#### Emergency Backup Power

To keep the LQGIC system powered on and maintain the lighting in the case of an emergency, it is recommended to use a battery backup UPS (Uninterruptable Power Supply) between the LQGIC Drive 2X and the mains power, as well as between each POE injector and the mains power.

This UPS can be one which is hardwired directly to the power cord included with the LQGIC Drive 2X, or one with 120V Edison ports. See [AC Plug](#) for wiring information.



#### AC Plug

The LQGIC Drive 2X comes with a power input cord terminated with a Seetronic Powerkon IP65 connector on one end and an Edison plug on the other end (U.S. market). If the power input cord that came with the product has no plug, if the plug must be changed, or if the cable needs to be hardwired to a UPS, use the table below ensure correct wiring.

Connection	Wire (U.S.)	Wire (Europe)	Screw Color
AC Live	Black	Brown	Yellow or Brass
AC Neutral	White	Blue	Silver
AC Ground	Green/Yellow	Green/Yellow	Green

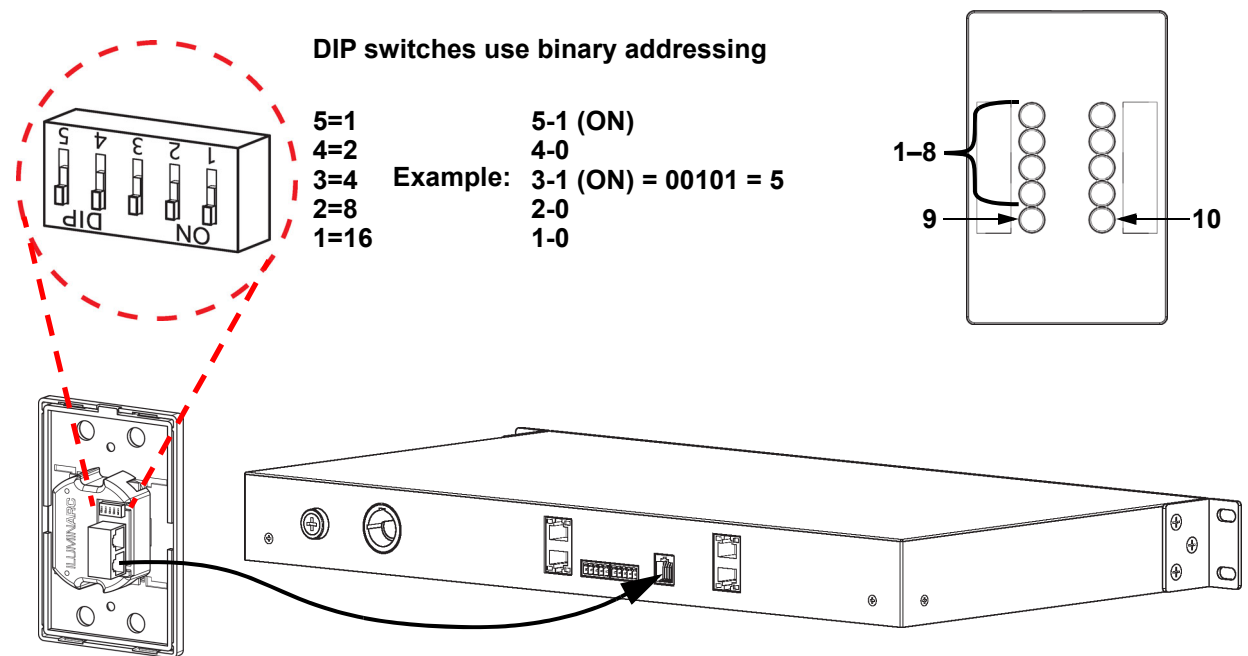
#### Fuse Replacement

1. Disconnect this product from the power outlet.
2. Using a flat-head screwdriver, unscrew the fuse holder cap from the housing.
3. Remove the blown fuse and replace with another fuse of the same type and rating (F 20 A, 250 V).
4. Screw the fuse holder cap back in place and reconnect power.

### LQIG Wall Controller

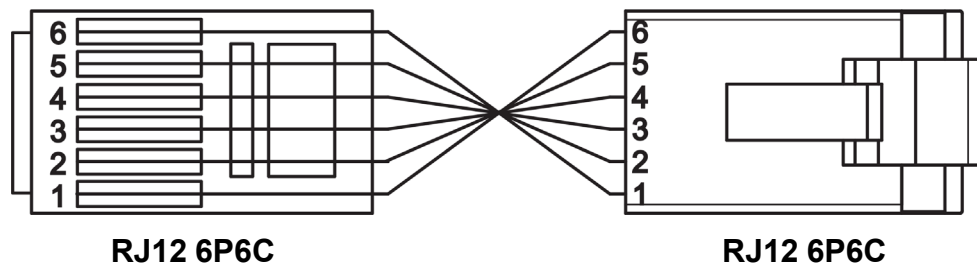
Each LQIG Drive 2X comes with a LQIG Wall Controller which can plug into the RJ12 connector on the back of the product.

- Buttons 1–8 trigger playback of the corresponding recorded scenes (see [Record](#)).
- After triggering a scene, press that button again and hold it for 6-10 seconds to lock the controls and prevent tampering. The selected button’s LED backlight will flash to indicate success. Press and hold the button again to unlock the controls. See [Scene Lock](#) for more information.
- Buttons 9 and 10 decrease and increase the brightness of the connected LQIG products.
- 5-bit DIP switches set the address of the LQIG Wall Controller with a binary number value. Each LQIG Wall Controller must have a unique address set by this DIP switch (from 0–31), or the LQIG Drive 2X will be unable to respond to any LQIG Wall Controller. The order of addresses does not matter, only that they do not repeat.
- Up to 4 LQIG Wall Controller products can be chained to one LQIG Drive 2X, allowing versatile and convenient control from multiple locations.
- The LQIG Wall Controller requires an RJ12 cable with flipped/reversed wiring. See [RJ12 Cable Wiring](#) for more information.



### RJ12 Cable Wiring

The LQIG Wall Controller requires an RJ12 cable with flipped/reversed wiring. This means that pin 1 on one side connects to pin 6 on the other side, pin 2 connects to pin 5, pin 3 connects to pin 4, and so on. Using an RJ12 cable without flipped wiring may damage the product.



**WARNING!** The LQIG Wall Controller requires a flipped/reverse RJ12 cable! Incorrect wiring may damage the product!

## Signal Connections

The LQIG Drive 2X can receive a DMX, RDM, Art-Net™, or sACN control signal. If using other compatible products with this product, each can be individually controlled with a single controller.

### Control Personalities

The LQIG Drive 2X uses a 5-pin phoenix connection to receive DMX or RDM, or an ethernet connection to receive Art-Net™ or sACN, and a CAT6 ethernet connection to send control data to connected products for its 9 control personalities, ranging from 1 to 10 channels.

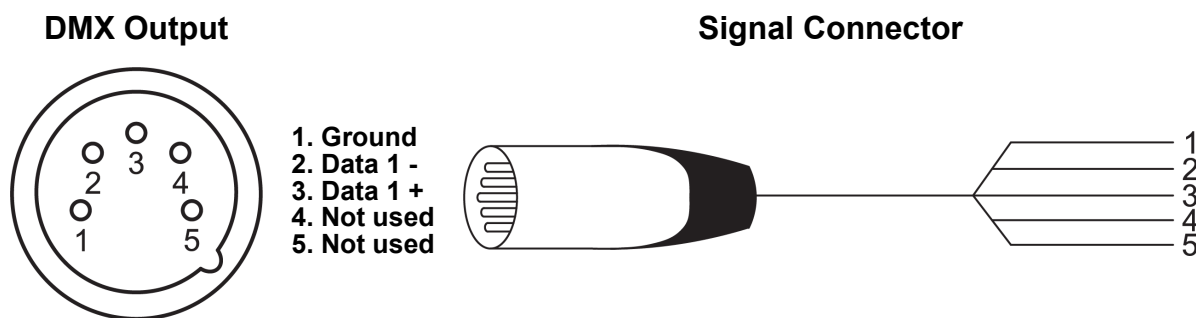
- Refer to the [Operation](#) chapter to learn how to configure the LQIG Drive 2X to work in these personalities.
- The [Control Channel Assignments and Values](#) section provides detailed information regarding the control personalities.



**If you are not familiar with or need more information about DMX standards or the DMX cables needed to link this product to a DMX controller, download the DMX Primer from the Chauvet website: [www.iluminarc.com](http://www.iluminarc.com).**

### DMX Linking

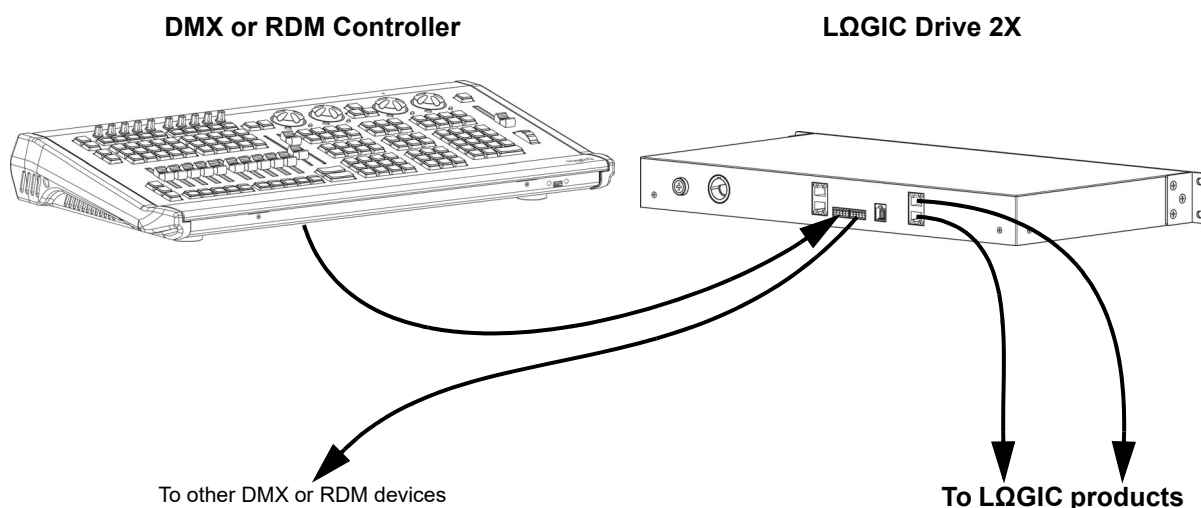
The LQIG Drive 2X will work with a DMX controller using a 5-pin phoenix connector. For more information about DMX, read the DMX primer at: [https://www.chauvetprofessional.com/wp-content/uploads/2016/06/DMX\\_Primer.pdf](https://www.chauvetprofessional.com/wp-content/uploads/2016/06/DMX_Primer.pdf).



### Remote Device Management (RDM)

Remote Device Management, or RDM, is a standard for allowing DMX-enabled devices to communicate bi-directionally along existing DMX cabling. Check the DMX controller's User Manual or with the manufacturer as not all DMX controllers have this capability. The LQIG Drive 2X supports RDM protocol that allows feedback to make changes to menu map options.

### DMX/RDM Connection Diagram



### Art-Net™ Connection

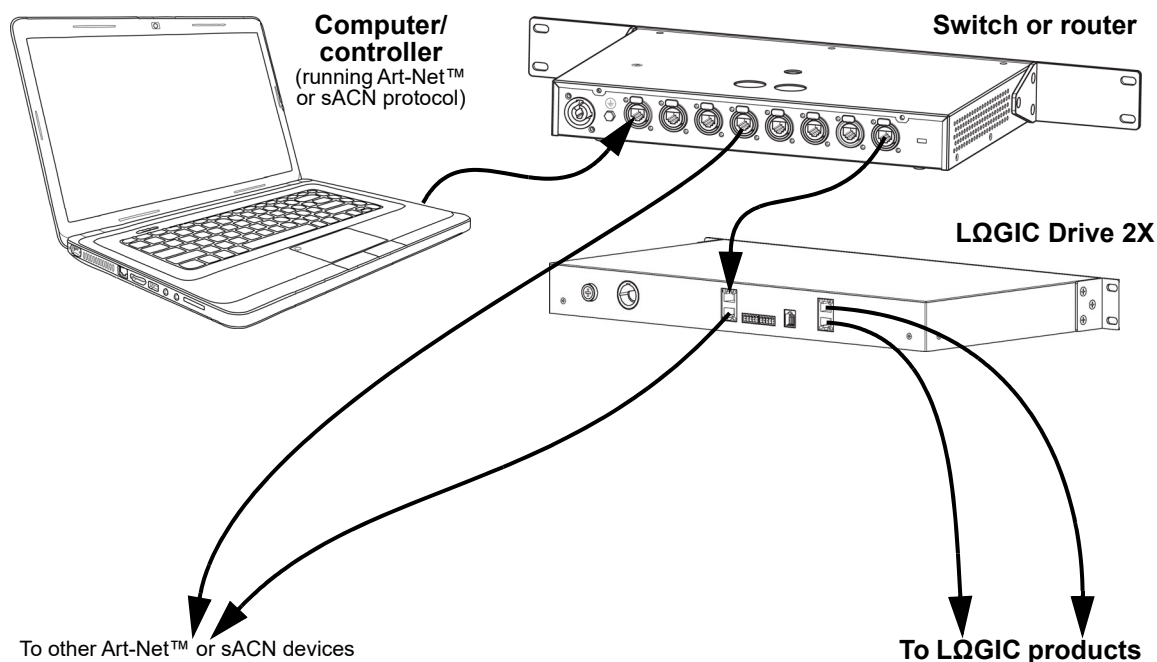
Art-Net™ is an Ethernet protocol that uses TCP/IP which transfers a large amount of DMX512 data using an ethernet connection over a large network. An Art-Net™ protocol document is available from [www.iluminarc.com](http://www.iluminarc.com).

Art-Net™ designed by and copyright Artistic Licence Holdings Ltd.

### sACN Connection

Also known as ANSI E1.31, streaming ACN is an Ethernet protocol that uses the layering and formatting of Architecture for Control Networks to transport DMX512 data over IP or any other ACN compatible network.

### Ethernet Connection Diagram



### Terminating CAT6 Cables with RJ45 Connectors

The LQIC Drive 2X communicates with Art-Net™ or sACN controllers and with connected LQIC products via RJ45 ethernet ports. In many applications, a cable with an attached connector will not fit through the required space, but will fit without the connector.

The LQIC system requires the use of T568B standard cable termination. Use the following table and diagram to ensure the RJ45 connectors are installed correctly to the CAT6 cables.

Pin	Wire Color	Pair	Diagram	
1	White/Orange	2	} Pair 2	
2	Orange	2		
3	White/Green	3	} Pair 1	
4	Blue	1		
5	White/Blue	1	} Pair 3	
6	Green	3		
7	White/Brown	4	} Pair 4	
8	Brown	4		

### LQGC Product Chaining

The LQGC Drive 2X powers and controls each connected LQGC product via a Power Over Ethernet (POE) connection. When linking LQGC products to the LQGC Drive 2X, there is a set maximum number of each LQGC product which can be powered by a single port.

Product	Capacity per Port/POE	Power Consumption (per Product/Total)
LQGC AR111 Downlight M	3	27 W each / 81 W total
LQGC AR111 Downlight S	5	15.5 W each / 77.5 W total
LQGC MR16 Downlight S	8	8.3 W each / 66.4 W total*
LQGC Cove M	5	15 W each / 75 W total
LQGC Cove S	8	9.3 W each / 74.4 W total
LQGC Graze L	2	37.5 W each / 75 W total
LQGC Graze S	6	12.5 W each / 75 W total



\*The LQGC MR16 Downlight S has additional power requirements which affect the maximum number of products that can be linked per port or POE injector. See [LQGC POE X Linking](#) for more information

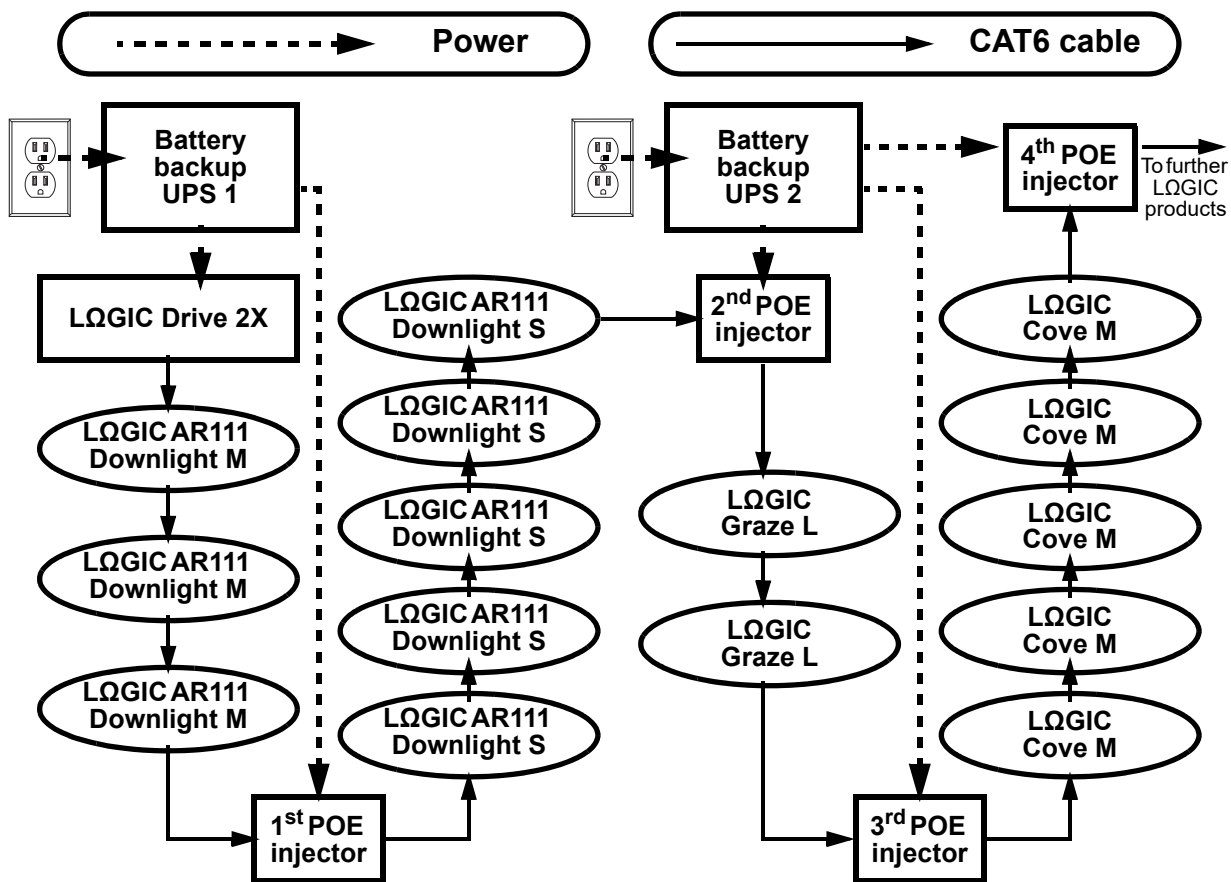
Once that capacity has been reached, a POE injector must be incorporated into the chain to continue adding products. By continuing to add POE injectors as needed, a total of 40 LQGC products can be linked to each port of the LQGC Drive 2X, regardless of the power consumption per product.

Use only POE++, IEEE 802.3 bt, type 4 injectors (4PPOE).



When using 3rd party POE injectors with the LQGC system, the power consumption monitoring function in the LQGC Drive 2X may become unavailable.

Refer to the [Technical Specifications](#) for the total maximum cable lengths possible.



### Mixing LQIG Products

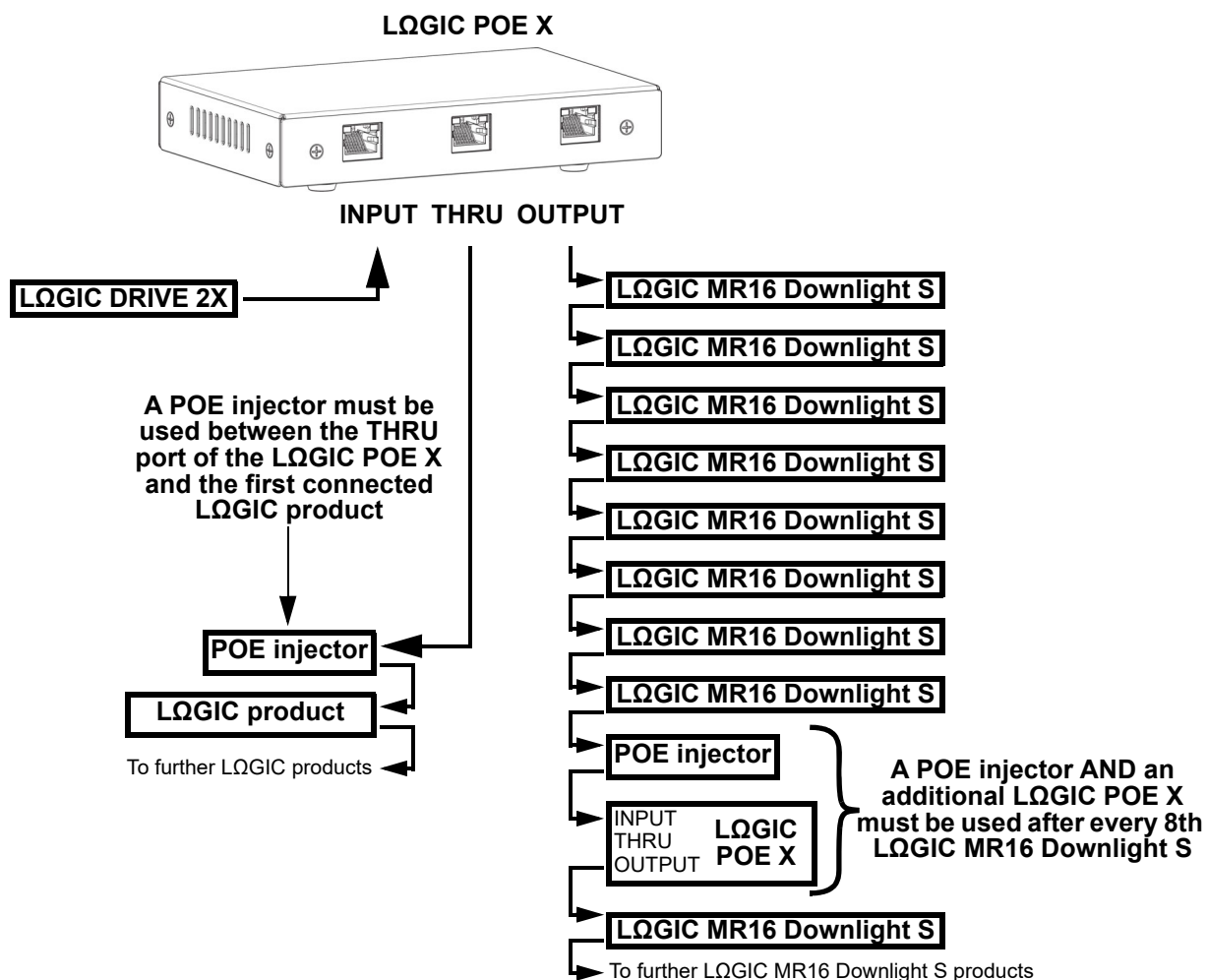
While it is not recommended to mix different LQIG products in a section of chain powered by a single POE injector, it is possible to do so. For the best results when mixing multiple product types, keep the combined power consumption at or under 75 W before adding another POE injector to the chain.

### LQIG POE X Linking

The LQIG MR16 Downlight S requires the use of a LQIG POE X between the first LQIG MR16 Downlight S in a chain and the LQIG Drive 2X or any POE injector. The LQIG POE X steps down the POE voltage and performs a digital handshake which is necessary to allow the LQIG MR16 Downlight S to link correctly with the LQIG Drive 2X.

The LQIG POE X has 3 ethernet ports:

- INPUT: inputs power (52V) and data signal from the LQIG Drive 2X.
- THRU: for long-distance transmission. Outputs only the control signal from the LQIG Drive 2X, no power. A POE injector must be used BEFORE the first LOGIC product in the chain to power it and further products connected to this port.
- OUTPUT: outputs power (48V) and data signal from the LQIG Drive 2X. A POE injector and another LQIG POE X must be used after every 8 LQIG MR16 Downlight S products.



When using 3rd party POE injectors with the LQIG system, the power consumption monitoring function in the LQIG Drive 2X may become unavailable.

## Mounting

Before mounting the product, read and follow the safety recommendations indicated in the [Safety Notes](#).

### Orientation

Always mount this product in a safe position, making sure there is adequate room for ventilation, configuration, and maintenance.

### Rigging

Chauvet recommends using the following general guidelines when mounting this product.

- Before deciding on a location for the product, make sure there is easy access to the product for maintenance.
- Make sure that the structure onto which the product is being mounted can support the product's weight. See the [Technical Specifications](#) for weight information.

### Rack Mounting

The LQGIC Drive 2X fits nicely on a standard 19" rack, or it can be placed on a flat level surface.

### Wall/Surface Mounting

The LQGIC Drive 2X has 2 four-directional tear-drop holes on the bottom for hanging on a wall or securing to a surface. Make sure that the mounting hardware and the surface to which it will be mounted can support the weight of the product.

1. Place the mounting hardware just under 6 inches apart (152 mm).



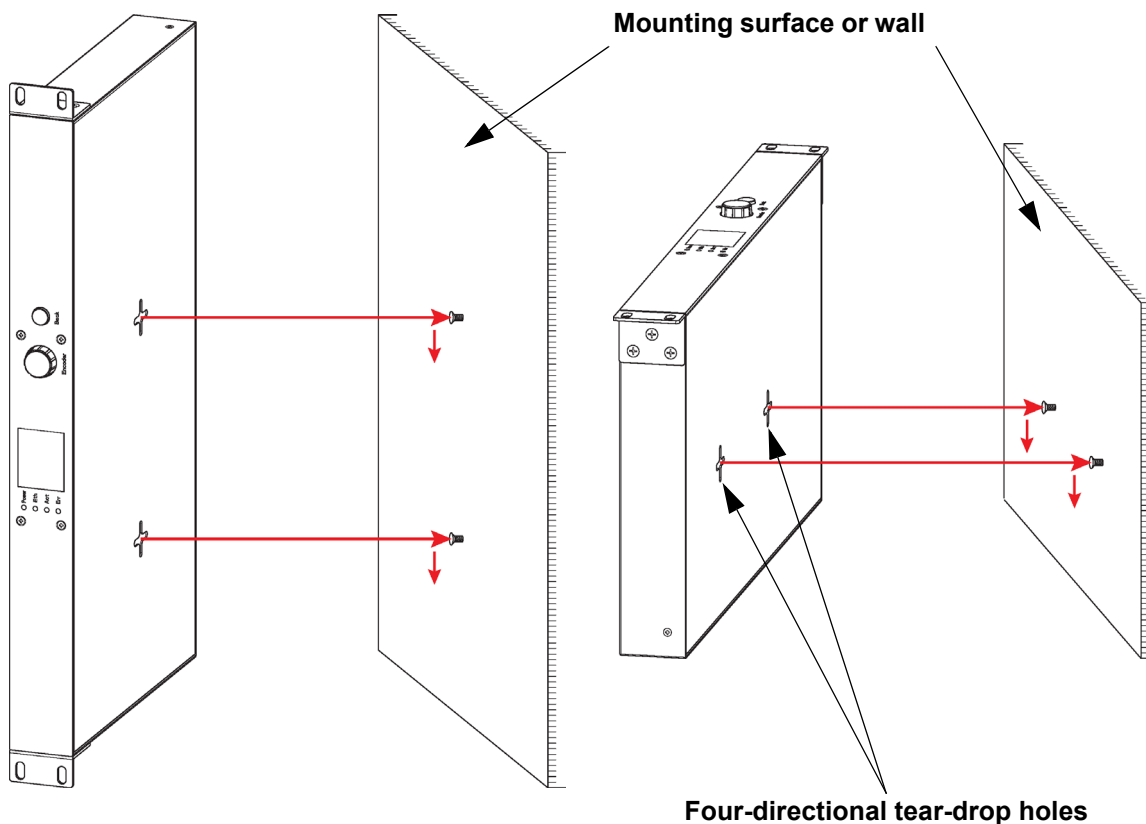
**For maximum security, it is recommended to place the mounting hardware so they are at an equal height and the spacing between them is horizontal.**

2. Position the four-directional tear-drop holes over the mounting hardware.
3. Shift the LQGIC Drive 2X in one direction as far as it can go, so that it is fully secure.



**For maximum security, it is recommended to shift the LQGIC Drive 2X downward on the mounting hardware. Doing otherwise places the product at risk of being dislodged and falling.**

### Mounting Diagram





## 4. Operation

### Control Panel Description

See the [Product Overview](#) for a detailed description of the control panel.

### Programming

Refer to the Menu Map to understand the menu options. The menu map shows the main level and a variable number of programming levels for each option.

- To access the menu from the Home Screen, press the **<MENU>** knob.
- To scroll through the options on each level of the menu, turn the **<MENU>** knob. Turn it clockwise to scroll down, and turn it counter-clockwise to scroll up.
- Press the **<MENU>** knob to select the highlighted option. This will take you to the next programming level for that option, or it will highlight a value that can be edited.
- To increase a selected number value, turn the **<MENU>** knob clockwise. To decrease a selected number value, turn the **<MENU>** knob counter-clockwise.
- Press **<ESC/BACK>** to exit to the previous main level, press repeatedly to return to the Home Screen.

### Password

After being prompted to enter the password, use the **<MENU>** knob to select and enter **123456**.

### Menu Map

Refer to the LQGIC Drive 2X product page on [www.iluminarc.com](http://www.iluminarc.com) for the latest menu maps.

Main Level	Programming Levels		Description
Protocol	DMX512		Selects the control protocol
	ArtNet		
	sACN		
Net Switch	2.X.X.X		Selects the first value of the IP address
	10.X.X.X		
Universe	000–255 / 001–256 (Art-Net™) (sACN)		Selects universe
Password	ON		Enables/disables password lock: <b>123456</b>
	OFF		
Output Status	Output 1 Status	Status:     _ _ _ _ _ Connect:     _ _ _ CLASS:     _ _ _ _ _	Shows <b>Normal</b> or <b>Fault</b> Shows <b>On</b> or <b>Off</b> Shows <b>None</b> or <b>1–8</b>
	Output 2 Status	V1: _ _ V Cur 1: _ _ mA V2: _ _ V Cur 2: _ _ mA Power:     _ _ W	Shows voltage and current of output Shows power of output
Local	Version	V _ _ _	Shows current firmware version
	IP Address	_ _ . _ _ . _ _ . _ _	Shows the IP address
	Fixture Hours	_ hours	Shows length of time product has been on
		_ _ minutes	
		_ _ seconds	
	Label	Logic Drive 2X	Shows product label
	Device UID	_ _ _ _ _ - _ _ _ _ _	Shows device UID
	MAC Address	_ _ _ _ _ - _ _ _ _ _	Shows the MAC address
Temperature	_ _ . _ °C	Shows the current temperature in °C	
Warning Messages	_ _ _ _ _		Shows current error(s), e.g. “DMX Signal Lost” or “Devices No Longer Detected”
	_ _ _ _ _		

Main Level	Programming Levels			Description	
Local (cont.)	Priority	Control Panel		Wall-mounted control panel has priority	
		Signal		Signal input has priority	
	Reset	No		Resets the LQGIC Drive 2X to factory default settings	
		Yes			
	History	List	-----		Displays connected product history
		Clear	No		Cancel clear
Yes			Clear history		
Linked Fixture	Status	Output 1	-----	Dmx Address	Sets selected product settings individually instead of all at once (see <a href="#">Linked LQGIC Product Menu Map</a> )
			-----	Personality	
		-----	Network		
		Output 2	(or No device!)	Information	
				Factory Reset	
	Renew	No		Re-scan for connected products	
		Yes			
	Personality	RED		1-channel: dimmer (red only)	
		GREEN		1-channel: dimmer (green only)	
		BLUE		1-channel: dimmer (blue only)	
		WHITE		1-channel: dimmer	
		TW		2-channel, Tunable White: dimmer, color temperature	
		RGB		3-channel: RGB	
		RGBW		4-channel: RGBW	
		RGBW+D		5-channel: dimmer, RGBW	
	Power Selection	Power 100%		Enables 100% power	
		Power 50%		Sets maximum power to 50%	
		Power 30%		Sets maximum power to 30%	
	Breaking Signal	Current State		Holds value on signal loss	
		Blackout		Blacks out on signal loss	
		White		Switches to full on signal loss	
	Static	Red	000-255		Temporary manual control of all connected products. Combine red, green, blue, and white to make a custom color.
		Green	000-255		
		Blue	000-255		
White		000-255			
Strobe		000-255		Sets standalone strobe speed	
Record	Play	Record1-8 _		Brightness: 000-255	Plays back recorded input. Press the <MENU> knob to toggle play and stop.
		_ : _ : _ _			
	Record	Record1-8			Captures/records live controller input to selected Record slot. Press the <MENU> knob to start and stop.
		Record1-8 Clr			
Erase Record	Record1-8 Clr		No	Erases selected recording	
	Record1-8 Clr		Yes		

Main Level	Programming Levels			Description	
System Clock	Schedule	Everyday <input type="radio"/> /●	Turn on 00–23:00–59:00–59	Turn off	Schedules daily times to turn on and off (stackable with other schedule options)
		By date <input type="radio"/> /●	Turn on Month:01–12 Day:01–31 Year:2000–99	Turn off Month:01–12 Day:01–31 Year:2000–99	Schedules a date and time to turn on and off (stackable with other schedule options)
		By week <input type="radio"/> /●	Mon :	<input type="radio"/> /●	Schedules which days of the week to be on or off (stackable with other schedule options)
			Tues :	<input type="radio"/> /●	
			Wed :	<input type="radio"/> /●	
			Thur :	<input type="radio"/> /●	
			Fri :	<input type="radio"/> /●	
	Sat :		<input type="radio"/> /●		
	Sun :	<input type="radio"/> /●			
	Setting Clock	SysClock:	24 hours		Shows system clock is 24-hour
		Date:	01–12:01–31:2000–2099		Sets the current date
		Time:	00–23:00–59:00–59		Sets the current time
		Week:	1–7		Sets the current day of the week
Fade In/Out	Fade In	On-instant		Sets fade in to instant	
		On-3second fade		Sets fade in to 3-second fade	
	Fade Out	Off-instant		Sets fade out to instant	
		Off-3second fade		Sets fade out to 3-second fade	
Enable Clock	No		Enables/disables clock functions		
	Yes				

## RDM Chart

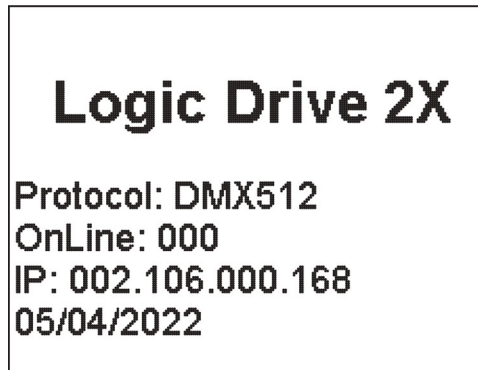
Refer to the LQGIC Drive 2X product page on [www.iluminarc.com](http://www.iluminarc.com) for the latest RDM chart.

GET	SET	Category	RDM Parameter IDs (Slot 21-22)	Value	Req.	Detail
		Network Management	DISC_UNIQUE_BRANCH	0x0001	✓	
			DISC_MUTE	0x0002	✓	
			DISC_UN_MUTE	0x0003	✓	
✓		RDM Information	QUEUED_MESSAGE	0x0020		
✓			SUPPORTED_PARAMETERS	0x0050	✓	IDENTIFY_DEVICE, DEVICE_INFO, SOFTWARE_VERSION_LABEL, SUPPORTED_PARAMETERS, DMX_START_ADDRESS, DEVICE_MODEL_DESCRIPTION, MANUFACTURER_LABEL, DEVICE_LABEL, DMX_PERSONALITY, PERSONALITY_DESCRIPTION, SENSOR_DEFINITION, SENSOR_VALUE
✓			PARAMETER_DESCRIPTION	0x0051	✓	
✓		Product Information	DEVICE_INFO	0x0060	✓	1, RDM Protocol Version: V1.0; 2, Device_Mode_ID: 0x1731; 3, Product Category Defines: PRODUCT_CATEGORY_FIXTURE FIXED; 4, Software Version ID; 5, DMX512 Footprint; 6, DMX512 Personality; 7, DMX512 Start Address; 8, Sensor Count;
			PRODUCT_DETAIL_ID_LIST	0x0070		
✓			DEVICE_MODEL_DESCRIPTION	0x0080		DRIVE 2X
✓			MANUFACTURER_LABEL	0x0081		ILUMINARC
✓	✓		DEVICE_LABEL	0x0082		DRIVE 2X
✓			SOFTWARE_VERSION_LABEL	0x00C0	✓	V_._
✓	✓		FACTORY_DEFAULTS			FACTORY_DEFAULTS : yes
✓	✓	DMX Setup	DMX_PERSONALITY	0x00E0		9pcs persons
✓			DMX_PERSONALITY_DESCRIPTION	0x00E1		RED/1CH, GREEN/1CH, BLUE/ 1CH, WHITE/1CH, TW/2CH, RGB/ 3CH, RGBW/4CH, RGBW+D/5CH, FULL/10CH
✓	✓		DMX_START_ADDRESS	0x00F0	✓	1-503
✓		Sensors	SENSOR_DEFINITION	0x0200		0.) Product Temperature __ °C
✓			SENSOR_VALUE	0x0201		—20° —100°
✓	✓	Control	IDENTIFY_DEVICE	0x1000	✓	Identify State: Off

## Home Screen

The LQIG Drive 2X has a home screen that shows the current control protocol, number of connected LQIG products, IP address, and date as set on the internal calendar. The home screen will also indicate if the System Clock has placed the product in **Shut off** mode.

To see the home screen, press **<ESC/BACK>** repeatedly until it shows on the display.



## Control Protocol

The LQIG Drive 2X works with DMX, Art-Net™, and sACN control signals. To select which protocol to use:

1. Go to the **Protocol** main menu.
2. Select the desired protocol, from **DMX512**, **ArtNet**, or **sACN**.

## Local

The Local settings include the network settings for the LQIG Drive 2X as well as system information and other general options.

### Net Switch

To select the first value of the IP address for the LQIG Drive 2X:

1. Go to the **Local** main menu.
2. Select the **Net Switch** option.
3. Select the first value of the IP address from **2.X.X.X** or **10.X.X.X**.



- **The first value of the IP address of each connected LQIG product MUST match that of the LQIG Drive 2X, or they will not be able to link properly.**
- **Changing the Net Switch setting may cause the LQIG Drive 2X to disconnect from any connected products.**

### Universe

To assign an Art-Net™ or sACN universe to the LQIG Drive 2X:

1. Go to the **Local** main menu.
2. Select the **Universe** option.
3. Set the universe, from **000–255** (for Art-Net™) or from **001–256** (for sACN).

### Password Lock

To turn the password lock on or off:

1. Go to the **Local** main menu.
2. Select the **Password** option.
3. Select from **ON** or **OFF**.



**When the password lock is activated, the product will prompt for the password in order to access the menu. Use the <MENU> knob to select and enter 123456.**

## Output Status

To view the status of the output ports:

1. Go to the **Local** main menu.
2. Select the **Output Status** option.
3. Select the output, from **Output 1 Status** or **Output 2 Status**.
4. View the output data:
  - **Status**: Shows **Normal** or **Fault** (if no connection or faulty connection).
  - **Connect**: Shows **On** (connected) or **Off** (not connected).
  - **CLASS**: Shows **None** or the type of POE connection, from **1–8**.
  - **V1, Cur 1, V2, Cur 2**, and **Power**: electrical data in volts, milliamperes, and watts.

## Local Information

To view general information about the LQGIC Drive 2X including the firmware version, IP address, and any current errors:

1. Go to the **Local** main menu.
2. Select the **Local Info** option.
3. Select which information to view, from:
  - **Version** (current firmware version),
  - **IP Address**,
  - **Fixture Hours** (the amount of time the product has been powered on, in hours, minutes, and seconds),
  - **Label**,
  - **Device UID**,
  - **MAC Address**,
  - **Temperature** (in degrees Celsius),  
or
  - **Warning Messages** (current errors)

## Priority

To select whether input from a LQGIC Wall Controller or input from a control signal (DMX, Art-Net™, or sACN) will take priority over the other:

1. Go to the **Local** main menu.
2. Select the **Priority** option.
3. Select from **Control Panel** or **Signal**. The selected option will have priority.

## Reset

To reset the LQGIC Drive 2X to factory default settings:

1. Go to the **Local** main menu.
2. Select the **Reset** option.
3. Select from **No** or **Yes**.



**System Clock settings will not be reset.**

## History

The LQGIC Drive 2X keeps a record of all LQGIC products to which it has linked.

To view the history:

1. Go to the **Local** main menu.
2. Select the **History** option.
3. Select the **List** option.

## Disconnecting Products from the LQGIC Drive 2X

When any LQGIC product which has linked to the LQGIC Drive 2X is disconnected or removed, it will trigger an error message. To remove the error message, either reconnect the product or clear the history so the LQGIC Drive 2X no longer has a record of that product being linked.

To clear the history:

1. Go to the **Local** main menu.
2. Select the **History** option.
3. Select the **Clear** option.
4. Select from **No** (cancel) or **Yes** (clear).

## Linked Fixture

Use control configurations to operate the connected LQIG products with a DMX, Art-Net™, or sACN controller.

### Linked LQIG Product Menu Map

To access the menu map for a connected LQIG product:

1. Go to the **Linked Fixture** main menu.
2. Select **Status**.
3. Select the output to which the desired LQIG product is connected, from **Output 1** or **Output 2**.
4. Select the desired LQIG product. The selected product will flash its LEDs for the duration it is being accessed.

Refer to the LQIG Drive 2X product page and the product page for the selected LQIG product on [www.iluminarc.com](http://www.iluminarc.com) for the latest menu maps.

Main Level	Programming Levels		Description
<b>Dmx Address</b>	<b>001–512</b>		Selects DMX address
<b>Personality</b>	<b>RED</b>		1-channel: dimmer (red only)
	<b>GREEN</b>		1-channel: dimmer (green only)
	<b>BLUE</b>		1-channel: dimmer (blue only)
	<b>WHITE</b>		1-channel: dimmer (white only)
	<b>TW</b>		2-channel, Tunable White: dimmer, color temperature
	<b>RGB</b>		3-channel: RGB control
	<b>RGBW</b>		4-channel: RGBW control
	<b>RGBW+D</b>		5-channel: dimmer, RGBW control
<b>Network</b>	<b>Net Switch</b>	<b>2.X.X.X</b>	Selects the first value of the IP address
		<b>10.X.X.X</b>	
	<b>Universe</b>	<b>000–255 / 001–256</b> (Art-Net™) (sACN)	Selects universe
<b>Information</b>	<b>Version</b>	<b>V _-_-</b>	Shows current firmware version
	<b>IP Address</b>	<b>- - - . - - - . - - - . - - -</b>	Shows the IP address
	<b>Fixture Hours</b>	<b>_ hours</b>	Shows length of time product has been on
	<b>Label</b>	<b>- - - - - - - - - -</b>	Shows product label
	<b>Device UID</b>	<b>- - - - - - - - - -</b>	Shows device UID
	<b>MAC Address</b>	<b>- - - - - - - - - -</b>	Shows the MAC address
<b>Factory Reset</b>	<b>No</b>		Resets to factory default settings
	<b>Yes</b>		

## Individual LQIGIC Product Configuration

### Control Personality (Individual)

To set the control personality individually for the selected LQIGIC product:

1. From the menu of the selected LQIGIC product, select the **Personality** option.
2. Select the desired personality, from **RED**, **GREEN**, **BLUE**, **WHITE**, **TW**, **RGB**, **RGBW**, **RGBW+D**, or **FULL**.



- See the [Starting Address](#) section for the highest starting address you can select for each personality.
- Make sure that the starting addresses on the various products do not overlap due to the new personality setting.

### Starting Address

Each product will respond to a unique starting address from the controller. All products with the same starting address will respond in unison. To set the starting address for the selected LQIGIC product:

1. From the menu of the selected LQIGIC product, select the **DMX Address** option.
2. Select the starting address (**001–512**).

Personality	Channels	Highest Address	Products per Universe
RED	1	512	512
GREEN	1	512	512
BLUE	1	512	512
WHITE	1	512	512
TW	2	511	256
RGB	3	510	170
RGBW	4	509	128
RGBW+D	5	508	102
FULL	10	503	51

### Network Settings

The Network Settings control the first value of the IP address and the universe of the selected LQIGIC product.

#### Net Switch

To select the first value of the IP address for the selected LQIGIC product:

1. From the menu of the selected LQIGIC product, select the **Network** option.
2. Select the **Net Switch** option.
3. Select the first value of the IP address from **2.X.X.X** or **10.X.X.X**.



- **The first value of the IP address of each connected LQIGIC product MUST match that of the LQIGIC Drive 2X, or they will not be able to link properly.**
- **Changing the Net Switch setting may cause the selected product to disconnect from the LQIGIC Drive 2X.**

#### Universe

To assign an Art-Net™ or sACN universe to the selected LQIGIC product:

1. From the menu of the selected LQIGIC product, select the **Network** option.
2. Select the **Universe** option.
3. Set the universe, from **000–255** (for Art-Net™) or from **001–256** (for sACN).

#### Factory Reset

To reset the selected LQIGIC product to factory default settings:

1. From the menu of the selected LQIGIC product, select the **Factory Reset** option.
2. Select **Yes** to reset, or **No** to cancel.

#### Information

To view additional information on the status of the selected LQIGIC product:

1. From the menu of the selected LQIGIC product, select the **Information** option.
2. Select which information to view, from **Version**, **IP Address**, **Fixture Hours**, **Label**, **Device UID**, **MAC Address**, and **Temperature**.



## Renew

To re-scan for connected LQGIC products:

1. Go to the **Linked Fixture** main menu.
2. Select **Status**.
3. Select **Renew**.
4. Select from **No** (cancel) or **Yes** (renew).

## Control Personality (Global)

To set the control personality of all connected LQGIC products at once:

1. Go to the **Linked Fixture** main menu.
2. Select the **Personality** option.
3. Select the desired personality, from **RED, GREEN, BLUE, WHITE, TW, RGB, RGBW, RGBW+D, or FULL**.



- See the [Starting Address](#) section for the highest starting address you can select for each personality.
- Make sure that the starting addresses on the various products do not overlap due to the new personality setting.

## Power Selection

To set the maximum output level for all connected LQGIC products:

1. Go to the **Linked Fixture** main menu.
2. Select **Power Selection**.
3. Select from **Power 100%, Power 50%, or Power 30%**.

## Breaking Signal

To set how the LQGIC Drive 2X will respond to losing the control signal:

1. Go to the **Linked Fixture** main menu.
2. Select **Breaking Signal**.
3. Select from:
  - **Current State** (holds the current value),
  - **Blackout** (blacks out all connected LQGIC products),
  - or
  - **White** (sets all connected LQGIC products to full output).

**Control Channel Assignments and Values**

FULL (10 Channels)

Channel	Function	Value	Percent/Setting
1	Dimmer	000 ⇔ 255	0–100%
2	Red	000 ⇔ 255	0–100%
3	Green	000 ⇔ 255	0–100%
4	Blue	000 ⇔ 255	0–100%
5	White	000 ⇔ 255	0–100%
6	Color temperature	000 ⇔ 010	No function
		011 ⇔ 020	1800K
		021 ⇔ 030	2200K
		031 ⇔ 040	2700K
		041 ⇔ 050	3000K
		051 ⇔ 060	3200K
		061 ⇔ 070	4000K
		071 ⇔ 080	4500K
		081 ⇔ 090	5000K
		091 ⇔ 100	5600K
		101 ⇔ 110	6000K
		111 ⇔ 120	6500K
		121 ⇔ 130	7000K
		131 ⇔ 140	8000K
141 ⇔ 150	10000K		
151 ⇔ 255	No function		
7	Strobe	000 ⇔ 009	No function
		010 ⇔ 099	Strobe, 0–25 Hz
		100 ⇔ 109	No function
		110 ⇔ 179	Lightning strobe, slow to fast
		180 ⇔ 189	No function
		190 ⇔ 255	Random strobe, slow to fast
8	Auto programs	000 ⇔ 040	No function
		041 ⇔ 050	Automatic program 1
		051 ⇔ 060	Automatic program 2
		061 ⇔ 070	Automatic program 3
		071 ⇔ 080	Automatic program 4
		081 ⇔ 090	Automatic program 5
		091 ⇔ 100	Automatic program 6
		101 ⇔ 110	Automatic program 7
		111 ⇔ 120	Automatic program 8
		121 ⇔ 130	Automatic program 9
		131 ⇔ 140	Automatic program 10
141 ⇔ 255	No function		
9	Auto program speed	000 ⇔ 255	Automatic program speed, slow to fast
10	Dimmer speed	000 ⇔ 129	Dimmer curve on
		130 ⇔ 255	Dimmer curve off

**RGBW+D (5 Channels)**

Channel	Function	Value	Percent/Setting
1	Dimmer	000 ⇔ 255	0–100%
2	Red	000 ⇔ 255	0–100%
3	Green	000 ⇔ 255	0–100%
4	Blue	000 ⇔ 255	0–100%
5	White	000 ⇔ 255	0–100%

**RGBW (4 Channels)**

Channel	Function	Value	Percent/Setting
1	Red	000 ⇔ 255	0–100%
2	Green	000 ⇔ 255	0–100%
3	Blue	000 ⇔ 255	0–100%
4	White	000 ⇔ 255	0–100%

**RGB (3 Channels)**

Channel	Function	Value	Percent/Setting
1	Red	000 ⇔ 255	0–100%
2	Green	000 ⇔ 255	0–100%
3	Blue	000 ⇔ 255	0–100%

**TW (Tunable White: 2 Channels)**

Channel	Function	Value	Percent/Setting
1	Dimmer	000 ⇔ 255	0–100%
2	Color temperature	000 ⇔ 010	No function
		011 ⇔ 020	1800K
		021 ⇔ 030	2200K
		031 ⇔ 040	2700K
		041 ⇔ 050	3000K
		051 ⇔ 060	3200K
		061 ⇔ 070	4000K
		071 ⇔ 080	4500K
		081 ⇔ 090	5000K
		091 ⇔ 100	5600K
		101 ⇔ 110	6000K
		111 ⇔ 120	6500K
		121 ⇔ 130	7000K
		131 ⇔ 140	8000K
		141 ⇔ 150	10000K
		151 ⇔ 255	No function

**WHITE** (1 Channel)

Channel	Function	Value	Percent/Setting
1	Dimmer	000 ⇔ 255	White only, 0–100%

**BLUE** (1 Channel)

Channel	Function	Value	Percent/Setting
1	Dimmer	000 ⇔ 255	Blue only, 0–100%

**GREEN** (1 Channel)

Channel	Function	Value	Percent/Setting
1	Dimmer	000 ⇔ 255	Green only, 0–100%

**RED** (1 Channel)

Channel	Function	Value	Percent/Setting
1	Dimmer	000 ⇔ 255	Red only, 0–100%

**Static**

To take temporary manual control of all connected LQIG products, custom mix a color, and assign a strobe speed:

1. Go to the **Static** main menu.
2. Select which value to alter, from **Red, Green, Blue, White,** or **Strobe**.
3. Set the selected value, from **000–512**.

For **Strobe**, reference the following table:

Value	Percent/Setting
000 ⇔ 009	No function
010 ⇔ 099	Strobe, 0–25 Hz
100 ⇔ 109	No function
110 ⇔ 179	Lightning strobe, slow to fast
180 ⇔ 189	No function
190 ⇔ 255	Random strobe, slow to fast

4. Press the **<MENU>** knob to cycle to the next value.
5. Repeat steps 3-4 until the products output as desired.
6. Press **<ESC/BACK>** to finish.

## Record

The LQGIC Drive 2X can record control signal input (DMX, Art-Net™, or sACN) for later playback through the display menu or by a connected LQGIC Wall Controller.


The LQGIC Drive 2X has 8 recording slots. When a scene is triggered for playback, it will play continuously until it is stopped or another recording is triggered.



**Due to memory capacity it is only recommended to record several seconds of a single look to each recording slot.**


## Recording

To record a scene:

1. Go to the **Record** main menu.
2. Select the **Record** option.
3. Select the desired recording slot, from **Record1–8**.
4.  will show on the display. Press the **<MENU>** knob to begin recording the current control signal input.





**To prevent errors during the recording of a scene, do not change any control signal values.**

5.  will show on the display. Press the **<MENU>** knob to stop recording.

## Display Menu Playback

To play back a recorded scene via the display menu:

1. Go to the **Record** main menu.
2. Select the **Record** option.
3. Select the desired recording slot, from **Record1–8**.
4.  will show on the display. Press the **<MENU>** knob to begin playback.
5.  will show on the display. Press the **<MENU>** knob to stop playback. The connected products will black out.



- **Pressing the <MENU> knob again at this point will restart the recording.**
- **If no scene is recorded to a recording slot, it cannot be selected for playback.**

6. Press **<ESC/BACK>** to exit.

## Scene Brightness (via Display Menu)

To set the **Brightness** of the connected LQGIC products from **000–255** during playback of a scene, turn the **<MENU>** knob clockwise or counterclockwise.

## LQGIC Wall Controller Playback

To play back a recorded scene via a connected LQGIC Wall Controller:

1. Press the numbered button which corresponds with the number of the desired recording slot to begin playback.
2. Press that same button again to stop playback. The connected products will black out.



- **Pressing the same button again (without holding) at this point will restart the recording.**
- **If no scene is recorded to a recording slot, pressing the corresponding button will do nothing.**

## Scene Brightness (via LQGIC Wall Controller)

To increase or decrease the brightness of the connected LQGIC products during playback of a scene, press the **<+>** or **<->** buttons on the LQGIC Wall Controller.

## Scene Lock

To lock a scene in place and prevent tampering:

1. Trigger a scene via the LQGIC Wall Controller. A scene cannot be locked if no scene is playing back.
2. Press and hold the same button for 6-10 seconds. The backlight will flash to indicate the scene is locked.
3. Press and hold the button again to release the lock.

## Erase Recording

To erase a recording slot:

1. Go to the **Record** main menu.
2. Select the **Record Erase** option.
3. Select the desired recording slot, from **Record1–8 Clr.**
4. Select from **No** (cancel) or **Yes** (erase the selected recording slot).

## System Clock

The system clock functions allow the LQIGIC Drive 2X to place itself in or out of **Shut off** mode on a set schedule. While in **Shut off** mode:

- The LQIGIC Drive 2X will black out all connected LQIGIC products.
- The LQIGIC Drive 2X will function at minimum power consumption.
- All settings other than the **System Clock** settings will be inaccessible.

## Setting Clock

Before setting the schedule, ensure the internal clock and calendar is set correctly:

1. Go to the **System Clock** main menu.
2. Select the **Setting Clock** option.
3. Review the current settings. If they are inaccurate, press the **<MENU>** knob to begin setting the clock. After setting each option, press the **<MENU>** knob to move to the next option.
4. Set the month of the current date, from **01–12** (January to December).
5. Set the day of the month, from **01–31**.
6. Set the year, from **2000–2099**.
7. Set the hour of the day, from **00–23** (in a 24-hour clock, **00** is midnight and **13** is 1 PM).
8. Set the minute of the hour, from **00–59**.
9. Set the second of the minute, from **00–59**.
10. Set the day of the week, from **1–7** (Monday to Sunday).
11. Press **<ESC/BACK>** to exit.

## Schedule

The LQIGIC Drive 2X can be scheduled by the time of day (**Everyday**), from one date to another (**By date**), and by the day of the week (**By week**) all at the same time.



- Selecting the **Everyday**, **By date**, or **By week** options not only enters the sub-menu for the selected option but also automatically enables it.
- To disable the option, select it again from the **Schedule** menu.
- To alter one of these settings, it must be disabled and then reselected.

## Everyday

To set the daily schedule:

1. Go to the **System Clock** main menu.
2. Select the **Schedule** option.
3. Select the **Everyday** option.
4. Review the current settings. To begin editing them, press the **<MENU>** knob. After setting each option, press the **<MENU>** knob to move to the next option.
5. Set the **Turn on** hour, from **00–23** (in a 24-hour clock, **00** is midnight and **13** is 1 PM).
6. Set the **Turn on** minute, from **00–59**.
7. Set the **Turn on** second, from **00–59**.
8. Set the **Turn off** hour, from **00–23**.
9. Set the **Turn off** minute, from **00–59**.
10. Set the **Turn off** second, from **00–59**.
11. Press **<ESC/BACK>** to exit.

## By date

To set specific dates to turn on and off:

1. Go to the **System Clock** main menu.
2. Select the **Schedule** option.
3. Select the **By date** option.
4. Review the current settings. To begin editing them, press the **<MENU>** knob. After setting each option, press the **<MENU>** knob to move to the next option.
5. Set the **Turn on Month**, from **01–12** (January to December).
6. Set the **Turn on Day**, from **01–31**.
7. Set the **Turn on Year**, from **2000–2099**.
8. Set the **Turn off Month**, from **01–12**.
9. Set the **Turn off Day**, from **01–31**.
10. Set the **Turn off Year**, from **2000–2099**.
11. Press **<ESC/BACK>** to exit.

## By week

To set which days of the week to turn on:

1. Go to the **System Clock** main menu.
2. Select the **Schedule** option.
3. Select the **By week** option.
4. Review the current settings. To begin editing them, press the **<MENU>** knob.
5. Select each desired day, from **Mon, Tues, Wed, Thur, Fri, Sat, and/or Sun**.
6. Select any selected day again to deselect it.
7. Press **<ESC/BACK>** to finish, and then again to exit.

## Fade In and Fade Out

To set whether the lights will turn on or off instantly when entering or leaving **Shut off** mode, or whether they will fade in or out:

1. Go to the **System Clock** main menu.
2. Select the **Fade In/Out** option.
3. Select which option to set, from **Fade In** or **Fade Out**.
4. For **Fade In**, select from **On-instant** or **On-3second fade**.  
For **Fade Out**, select from **Off-instant** or **Off-3second fade**.

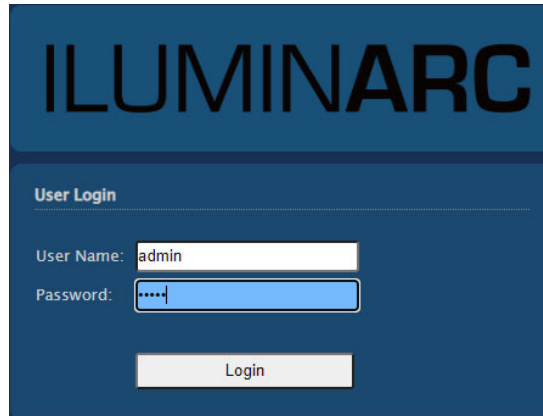
## Enable Clock

To enable or disable the system clock functions:

1. Go to the **System Clock** main menu.
2. Select the **Enable Clock** option.
3. Select from **No** (disable) or **Yes** (enable).

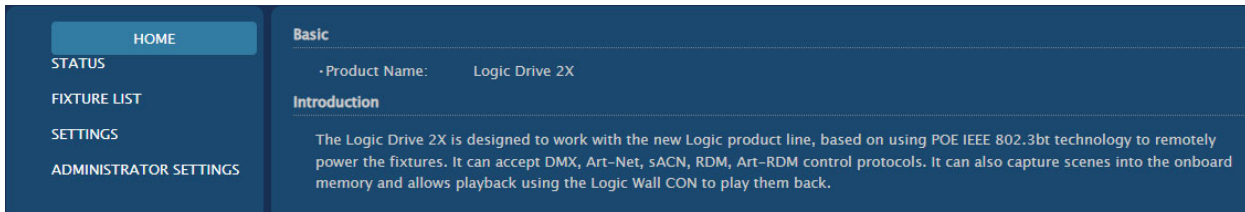
## Web Server

The LOGIC Drive 2X web server can be accessed by any computer on the same network as the product. It allows network access to system information, settings such as product addressing, static color testing, and calendar triggers, as well as firmware updates for both the LOGIC Drive 2X and any connected LOGIC products.



1. Connect the product to a Windows computer with a network cable.
2. On the computer, set the IP address of the new network to have the same value as the [Net Switch](#) setting (**002** or **010**).
3. Enter the IP address of the product into the URL bar of a web browser on the computer.
4. Enter both the User Name and Password as **admin** to log in.

## Home



The **HOME** screen displays the name of the product and a brief introduction to it.



## Status

The **STATUS** screen displays the information available in the [Local Information](#) and [Output Status](#) sections of the display menu.

## Fixture List

The **FIXTURE LIST** screen displays information for each connected LQIC product which has been detected by the LQIC Drive 2X and provides the following control options:

- **Renew:** rescans for connected LQIC products.
- **Save:** sends any changes to the connected LQIC products.
- **RDM Identify:** causes the selected product to blink its LEDs for identification.
- **DMX Address:** displays and sets the DMX Address of the selected product.
- **Personality:** displays and sets the control personality of the selected product.
- **Universe:** displays and sets the universe address of the selected product.



**After changing the DMX Address, Personality, or Universe, click Save to send those settings to the selected product(s).**

## Settings

The **SETTINGS** screen displays and provides 5 types of control options:

- **Basic:** displays and sets the control **Protocol**, the first value of the IP address (**Net switch**) for the LQIGC Drive 2X, the control **Personality**, and the **Universe** address if applicable. Click **Save** to send any changed settings to the LQIGC Drive 2X.



**Changing the Net switch option will cause the computer to disconnect from the LQIGC Drive 2X.**

- **Local:** displays the product **Temperature** in °C and the **Fixture Time**.
- **Static Test:** displays and provides the same control options as the [Static](#) section of the display menu.
- **System Calendar Trigger Settings:** displays and provides the same control options as the [System Clock](#) section of the display menu. Click **Save** to send any changed settings to the LQIGC Drive 2X.



**Years beyond those available through the display menu may be selected through this method, but selecting them may cause unforeseen errors.**

- **Reset:** provides the **System Restart** function. Set the drop-down menu to **Yes** and click **Save** to reset the LQIGC Drive 2X to factory default settings.



**System Clock settings will not be reset.**

## Administrator Settings

The **ADMINISTRATOR SETTINGS** screen displays the current firmware version of the LQGIC Drive 2X and provides the ability to change the web server password, update the firmware of the LQGIC Drive 2X, and update the firmware of any connected LQGIC products.

### Firmware Update

The procedure for updating the firmware of the LQGIC Drive 2X is identical to the procedure for updating the firmware of connected LQGIC products.

1. Download the latest firmware files from [www.iluminarc.com](http://www.iluminarc.com).
2. Access the web server for LQGIC Drive 2X according to the instructions under [Web Server](#).
3. Navigate to the **ADMINISTRATOR SETTINGS** screen.
4. Click **Browse** and select the desired firmware file.
5. Click **Update**.
  - At this point the web server may return to the login screen. Enter the password to continue, and then redo steps 4 and 5.
  - The Upload Progress bar will fill, indicating the firmware is being sent to the relevant product(s).
  - Data in the firmware files includes a model type signature which allows only the relevant products to receive it.



**ALL connected products of the type designated by the firmware file will be updated! Disconnect any products of that type which should not be updated prior to beginning the update procedure!**



**Connected products which are not of the type designated by the firmware file will not be affected.**

- POE injectors will not filter the firmware file transfer.
- During the update the LQGIC Drive 2X display menu will freeze and all control signals will be interrupted.
- When updating the LQGIC Drive 2X, the message **Remove code 1 MCU erasure** will show on the display, followed by **Updating...** When finished, the LQGIC Drive 2X will restart.
- When updating connected LQGIC products, the message **Update slave Device** will show on the display. When finished, the LQGIC Drive 2X will rescan for connected products.

## 5. Maintenance

### Product Maintenance

Dust build-up reduces light output performance and can cause overheating. This can lead to reduction of the light source's life and/or mechanical wear. To maintain optimum performance and minimize wear, clean your lighting products at least twice a month. However, be aware that usage and environmental conditions could be contributing factors to increase the cleaning frequency.

To clean the product, follow the instructions below:

1. Unplug the product from power.
2. Wait until the product is at room temperature.
3. Use a vacuum (or dry compressed air) and a soft brush to remove dust collected on the external surface/vents.
4. Apply a solution of ammonia-free glass cleaner or isopropyl alcohol directly to a soft, lint free cotton cloth or a lens cleaning tissue.
5. Use the cloth or tissue to clean all transparent surfaces.
6. Softly drag any dirt or grime to the outside of the transparent surface.
7. Gently polish the transparent surfaces until they are free of haze and lint.



**Always dry the transparent surfaces carefully after cleaning them.**

## 6. Technical Specifications

### Dimensions and Weight

Length	Width	Height	Weight
10.31 in (245 mm)	18.86 in (479 mm)	1.73 in (44 mm)	7.6 lb (3.45 kg)

**Note:** Dimensions in inches are rounded.

### Power

Power Supply Type	Range	Voltage Selection
Switching (internal)	100 to 240 VAC, 50/60 Hz	Auto-ranging

Output Port Power Rating	Output Port Voltage	POE Output Connectors
92.5 W per port	54 VDC	RJ45 x2

Parameter	100 V, 60 Hz	120 V, 60 Hz	208 V, 60 Hz	230 V, 50 Hz	240 V, 50 Hz
Consumption	260 W	260 W	260 W	260 W	260 W
Operating Current	2.60 A	2.17 A	1.25 A	1.14 A	1.09 A

Power I/O	U.S./Worldwide	UK/Europe
Power Input Connectors	Seetronic TRUE1	Seetronic TRUE1
Power Cord plug	Edison (U.S.)	Local Plug
Recommended Power Cable	3 x 14 AWG	

### Data Connectors

DMX/RDM	Ethernet (Art-Net™/sACN)	LQIC Wall Controller
5-pin Phoenix in and out	RJ45 x2	RJ12

### POE Cabling

Required Cable Type	Minimum Conductor Diameter	Conductor Material
CAT6/A, shielded	23 AWG (0.5733 mm)	Solid bare copper wire (stranded not supported)

Cable Plug	Cable Terminator	Recommended Cable (or equivalent)
RJ45, CAT6/A, Shielded	T568B standard	Belden 2413F, 2412F

Total Max Cable Length (Drive to first fixture)	Total Max Cable Length (Drive to last fixture)	Total Max Cable Length (First fixture to last fixture)
328 ft (100 m)	460 ft (140 m)	131 ft (40 m)

### Thermal

Operating Temperature Range	Maximum Surface Temperature	Cooling System
-4 °F–113 °F (-20 °C–45 °C)	158 °F (70 °C)	Fan-assisted convection

### Ordering

Product Name	Item Name	Item Code	UPC Number
LQIC Drive 2X	LOGICDRIVE2X	01541731	781462220792



UL 2108, UL 1598A  
CSA C22.2 No. 250.2  
E115166



RoHS



## Contact Us

General Information	Technical Support
<b>Chauvet World Headquarters</b>	
Address: 3360 Davie Rd. Davie, FL 33314 Voice: (954) 577-4455 Fax: (954) 929-5560 Toll Free: (800) 762-1084	Voice: (844) 393-7575 Fax: (954) 756-8015 Email: <a href="mailto:chauvetcs@chauvetlighting.com">chauvetcs@chauvetlighting.com</a> Website: <a href="http://www.chauvetprofessional.com">www.chauvetprofessional.com</a>
<b>Chauvet U.K.</b>	
Address: Pod 1 EVO Park Little Oak Drive, Sherwood Park Nottinghamshire, NG15 0EB UK Voice: +44 (0) 1773 511115 Fax: +44 (0) 1773 511110	Email: <a href="mailto:UKtech@chauvetlighting.eu">UKtech@chauvetlighting.eu</a> Website: <a href="http://www.chauvetprofessional.eu">www.chauvetprofessional.eu</a>
<b>Chauvet Benelux</b>	
Address: Stokstraat 18 9770 Kruishoutem Belgium Voice: +32 9 388 93 97	Email: <a href="mailto:BNLtech@chauvetlighting.eu">BNLtech@chauvetlighting.eu</a> Website: <a href="http://www.chauvetprofessional.eu">www.chauvetprofessional.eu</a>
<b>Chauvet France</b>	
Address: 3, Rue Ampère 91380 Chilly-Mazarin France Voice: +33 1 78 85 33 59	Email: <a href="mailto:FRtech@chauvetlighting.fr">FRtech@chauvetlighting.fr</a> Website: <a href="http://www.chauvetprofessional.eu">www.chauvetprofessional.eu</a>
<b>Chauvet Germany</b>	
Address: Bruno-Bürgel-Str. 11 28759 Bremen Germany Voice: +49 421 62 60 20	Email: <a href="mailto:DEtech@chauvetlighting.de">DEtech@chauvetlighting.de</a> Website: <a href="http://www.chauvetprofessional.eu">www.chauvetprofessional.eu</a>
<b>Chauvet Mexico</b>	
Address: Av. de las Partidas 34 - 3B (Entrance by Calle 2) Zona Industrial Lerma Lerma, Edo. de México, CP 52000 Voice: +52 (728) 690-2010	Email: <a href="mailto:servicio@chauvet.com.mx">servicio@chauvet.com.mx</a> Website: <a href="http://www.chauvetprofessional.mx">www.chauvetprofessional.mx</a>

## Warranty & Returns

For warranty terms and conditions and return information, please visit our website.

For customers in the United States and Mexico: [www.chauvetlighting.com/warranty-registration](http://www.chauvetlighting.com/warranty-registration).

For customers in the United Kingdom, Republic of Ireland, Belgium, the Netherlands, Luxembourg, France, and Germany: [www.chauvetlighting.eu/warranty-registration](http://www.chauvetlighting.eu/warranty-registration).