

EZ-MAX[®] H Relay Control Panels



R08BD-H00



R24BD-H00

Description

EZ-MAX[®] H Relay Panels deliver power and performance in compact and cost-effective 8-circuit and 24-circuit models. EZ-MAX H Relay Panels are the ideal solution for smaller, standalone applications that do not require on-site factory commissioning or advanced networking features like GreenMAX[®] Relay Control Systems.

Leviton EZ-MAX H Relay Control Panels are used for smaller, standalone projects where centralized lighting control, programming and monitoring are required.

For maximum equipment protection, the standard 30A latching relay card has a short circuit current rating (SCCR) of 18,000A at 347V to allow it to withstand higher current inrushes caused by short circuit conditions. The 20A 2-Pole relay has an SCCR of 14,000A at 480V. Low-voltage inputs allow connection of photocells, occupancy sensors, and low-voltage switches for a comprehensive yet easily installed energy management solution.

Designed in a compact, 14.5" x 17" (8-circuit model) or 20" x 24" (24-circuit model) standard electrical enclosure, EZ-MAX H is engineered to be contractor friendly, quick to install and simple to configure.

Applications

- Smart replacement for time clock/contactor installations
- Low-voltage controls
- Daylight control
- Occupancy sensor integration
- Site lighting
- Parking garage/parking lot lighting
- Retail Stores
- Warehouse Space
- Manufacturing/Industrial

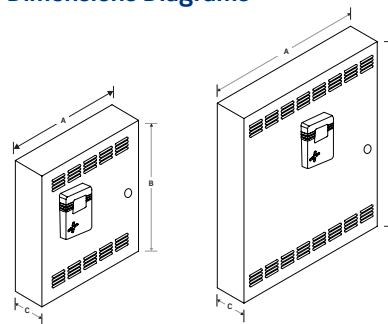
Features

- LCD user interface with keypad
- 8 and 24 relay panel sizes, relays sold separately
- Astronomical and real time clock for scheduling
- 4 Open/Close Time Schedules, and 99 holidays (including recurring U.S. holidays)
- Each relay card includes one low voltage input
- Upload or save programming via removable SD memory card
- Panels have hinged locking doors
- Keypad user interface mounted on exterior of door
- Knockouts on top and bottom for low voltage and line voltage feeds
- NEMA 1 surface mount enclosure
- UL916, UL924 and cUL listed
- 5 year limited warranty

Panel Support

- 64 schedules—ON, OFF, ON/OFF
- 32 groups of any or all relays
- 6 outdoor scenarios
 - Templates can be programmed with the inputs and groups to be controlled
- 18 indoor scenarios
- Simple architecture—user defined inputs (motion sensor, photocell, switch) and actuator (relay) groups
- Users can specify if the schedule is an ON schedule, OFF schedule, or ON/OFF schedule
 - Users specify which group is being controlled and when the event should occur

Dimensions Diagrams

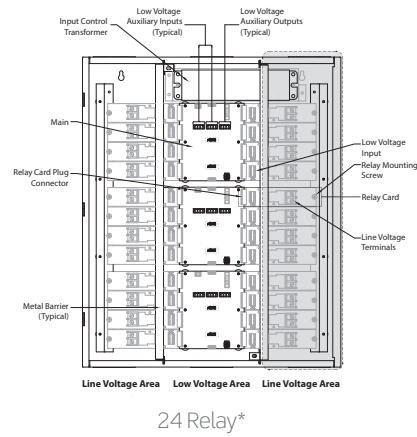
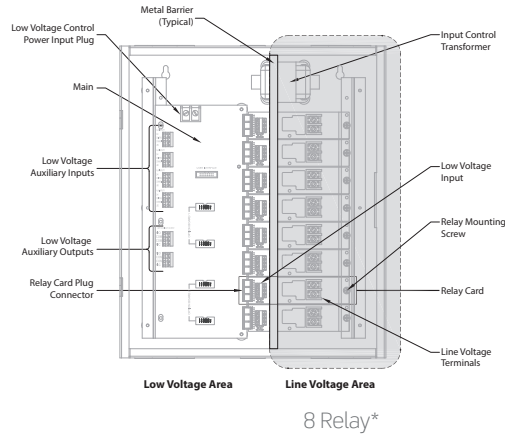


	R08BD-H00	R24BD-H00
A	14.5" (383.3mm)	20" (508mm)
B	17" (431.8mm)	24" (609.6mm)
C	4" (101.6mm)	4" (101.6mm)

Product Data

RELAY-XXX

Panel Interiors



*Relays sold separately

Specifications

Electrical	
8 Relay	24VDC, 150mA (max. 300mA)
24 Relay	24VDC, 150mA (max. 900mA)
RELAY-L3H	120/277/347VAC (50/60Hz)
RELAY-2PH	208/240/480VAC (50/60Hz)
Wire Size	14, 16, 18, 20, 22 AWG
Recommended Tightening Torque	0.45 N-m (4 in-lbs.)
Operation	
Green Indicator Light	On panel motherboard -indicates panel is receiving power; On relay card - Indicates relay is in the closed position
Red Indicator Light	On the relay card - dependent on input status and programming
Environmental	
Operating Temperature	32° to 112° F (0° to 50°C)
Relative Humidity	10% - 90% (non-condensing)
Construction	
Enclosure	NEMA 1 surface mount, indoor use only
Other	
Listings	UL916, CAN/CSA C22.2 No. 205
Weight	R08BD: 21lbs (empty); R24BD: 41.3 lbs (empty)
Energy Codes	Can be used to comply with IECC, ASHRAE 90.1 and 2022 Title 24, Part 6 occupancy/vacancy sensing, scheduling, and receptacle control requirements
Warranty	5-Year Limited

Ordering Information

EZ-MAX H Relay Panels	
Cat. No.	Description
R08BD-H00	EZ-MAX H Relay Panel 8-Circuit, relays purchased separately
R24BD-H00	EZ-MAX H Relay Panel 24-Circuit, relays purchased separately
RELAY-L3H	1-Pole Latching 20A @120VAC-Tungsten; 16A @120/277VAC-Elect. Ballast; 30A @120/277VAC-Mag. Ballast; 20A @347VAC Elect. Ballast; 18K SCCR @347VAC
RELAY-2PH	2-Pole, Elect. Held N.O. 20A @208/240/480VAC Mag. Ballast; 14K SCCR @480VAC
Accessories	
RGBAR-EZH	Relay circuit barrier for EZ-MAX H Series lighting control panel
OOLVS-xxW	Low Voltage Switches, White
PCOUT-000	Outdoor Photocell, 0-10V, 0-250 fc
PCIND-000	Indoor Photocell, 0-10V, 0-100 fc
PCATR-000	Atrium Photocell, 0-10V, 0-1000 fc
PCSKY-000	Skylight Photocell, 0-10V, 0-2000 fc

Leviton Manufacturing Co., Inc. Lighting & Controls

10385 SW Avery Street, OR 97062 tel 800-736-6682 tech line (6:00AM-4:00PM PT Mon-Fri) 800-959-6004
©2023 Leviton Manufacturing Co., Inc. All rights reserved. Subject to change without notice.

LES-G-10618/E23-aa