

INTIMIDATOR SPOT 60 ILS

User Manual



Edition Notes

The Intimidator Spot 60 ILS User Manual includes a description, safety precautions, installation, programming, operation, and maintenance instructions for the Intimidator Spot 60 ILS as of the release date of this edition.

Trademarks

Chauvet, Chauvet DJ, the Chauvet logo, and Intimidator are registered trademarks or trademarks of Chauvet & Sons, LLC (d/b/a Chauvet and Chauvet Lighting) in the United States and other countries. Other company and product names and logos referred to herein may be trademarks of their respective companies.

Copyright Notice

The works of authorship contained in this manual, including, but not limited to, all designs, text, and images are owned by Chauvet.

© Copyright 2024 Chauvet & Sons, LLC. All rights reserved.

Electronically published by Chauvet in the United States of America.

Manual Use

Chauvet authorizes its customers to download and print this manual for professional information purposes only. Chauvet expressly prohibits the usage, copy, storage, distribution, modification, or printing of this manual or its content for any other purpose without written consent from Chauvet.

Document Printing

For best results, print this document in color, on letter size paper (8.5 x 11 in), double-sided. If using A4 paper (210 x 297 mm), configure the printer to scale the content accordingly.

Intended Audience

Any person installing, operating, and/or maintaining this product should completely read through the guide that shipped with the product, as well as this manual, before installing, operating, or maintaining this product.

Disclaimer

Chauvet believes that the information contained in this manual is accurate in all respects. However, Chauvet assumes no responsibility and specifically disclaims any and all liability to any party for any loss, damage, or disruption caused by any errors or omissions in this document, whether such errors or omissions result from negligence, accident, or any other cause. Chauvet reserves the right to revise the content of this document without any obligation to notify any person or company of such revision; however, Chauvet has no obligation to make, and does not commit to make, any such revisions.

Document Revision

Go to www.chauvetdj.com for the latest version.

Revision	Date	Description
1	04/2024	Initial release

TABLE OF CONTENTS

1. Before You Begin	1
What Is Included	1
Unpacking Instructions.....	1
Claims	1
Text Conventions	1
Symbols	1
Safety Notes.....	2
2. Introduction.....	3
Product Overview.....	3
Product Dimensions	3
3. Setup.....	4
AC Power	4
Fuse Replacement.....	4
Power Linking.....	4
Mounting	5
Orientation.....	5
Rigging	5
4. Operation.....	6
Control Panel Operation.....	6
Menu Map	6
DMX Configuration.....	7
DMX Personality and Starting Address.....	7
Gobos.....	7
Gobo Dimensions.....	7
DMX Channel Assignments and Values	8
Standalone Configuration.....	10
Run Mode.....	10
Automatic mode	10
Sound-active mode	10
Manual Mode	10
Settings Configuration.....	11
Pan Reverse	11
Tilt Reverse	11
Screen Reverse	11
Pan Range	11
Tilt Range.....	11
Totem Mode	11
Sound Sensitivity.....	12
DMX Loss.....	12
Indicator	12
Flash if DMX.....	12
Follow Spot Mode	12
Reset.....	12
Factory Reset.....	13
System Information	13
Calibration Menu	13
ILS Mode.....	13
D-Fi USB Connectivity	14
D-Fi USB Compatibility	14
D-Fi USB Configuration.....	14
D-Fi USB DIP Switch Channels.....	14

IRC-6 Infrared Remote Control	15
IRC-6 Operation	15
Dimmer	15
Pan/Tilt.....	15
Sound Mode.....	15
Auto Mode.....	15
Color Wheel	15
Gobo Wheel	15
Blackout	15
Master/Slave Mode	16
Wired Master/Slave Mode.....	16
D-Fi USB Master/Slave Mode	16
5. Maintenance.....	17
Product Maintenance	17
6. Technical Specifications.....	18
Contact Us.....	19
Warranty & Returns.....	19

1. Before You Begin

What Is Included

- Intimidator Spot 60 ILS
- Power cable
- Hanging bracket
- Quick Reference Guide

Unpacking Instructions

Carefully unpack the product immediately and check the container to make sure all the parts are in the package and are in good condition.

Claims





If the box or the contents (the product and included accessories) appear damaged from shipping, or show signs of mishandling, notify the carrier immediately, not Chauvet. Failure to report damage to the carrier immediately may invalidate a claim. In addition, keep the box and contents for inspection.

For other issues, such as missing components or parts, damage not related to shipping, or concealed damage, file a claim with Chauvet within 7 days of delivery.

Text Conventions

Convention	Meaning
1–512	A range of values
50/60	A set of values of which only one can be chosen
Settings	A menu option not to be modified
<ENTER>	A key to be pressed on the product's control panel
ON	A value to be entered or selected

Symbols

Symbol	Meaning
	Electrical warning. Not following these instructions may cause electrical damage to the product, accessories, or the user.
	Critical installation, configuration, or operation information. Not following these instructions may make the product not work, cause damage to the product, or cause harm to the operator.
	Important installation or configuration information. The product may not function correctly if this information is not used.
	Useful information.

Safety Notes

- **ALWAYS:**



- ◆ Connect to a grounded circuit.
- ◆ Connect to operating voltages as specified on the product's spec sticker.
- ◆ Disconnect from power before replacing the fuse.
- ◆ Disconnect from its power source during periods of inactivity.
- ◆ Use a safety cable when suspending overhead.
- ◆ Heed all restrictions and warnings on the spec sticker.
- ◆ Mount in a location with at least 20 in (50 cm) of ventilation.
- ◆ Replace the fuse with the same type and rating.
- ◆ Use a clamp with a captive bolt when a single hanging bracket is used.

- In the event of a serious operating problem, stop using immediately.

- **DO NOT:**



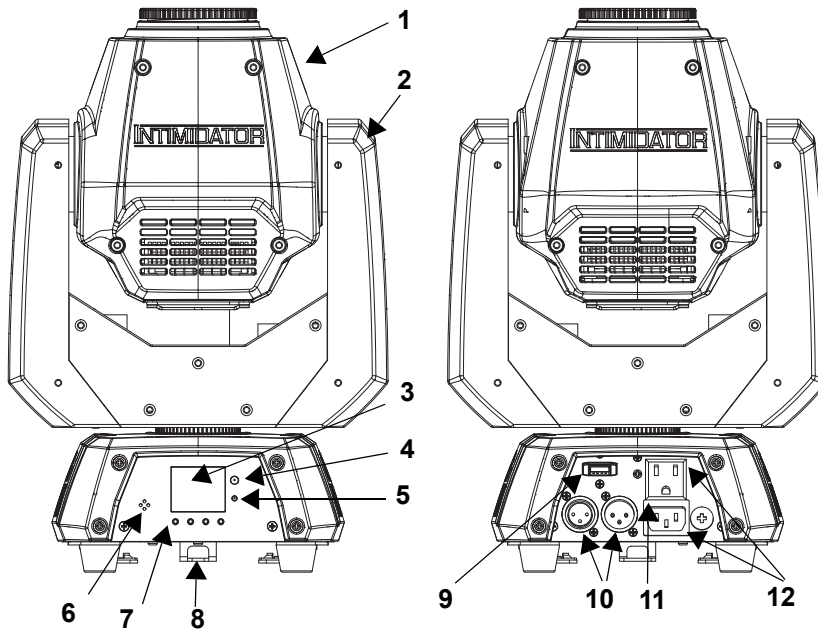
- ◆ Open this product or attempt any repairs. It contains no user-serviceable parts.
- ◆ Look at the light source when the product is on.
- ◆ Use if the power cord is crimped or damaged.
- ◆ Disconnect by pulling on the power cord.
- ◆ Allow flammable materials close to the product when it is operating.
- ◆ Touch the housing when it is on.
- ◆ Block any ventilation holes/slots in the housing.
- ◆ Connect to a dimmer or rheostat.
- ◆ Carry the product by its power cord.
- ◆ Operate in temperatures higher than 104°F (40°C).
- ◆ Expose to environments that exceed the Ingress Protection (IP) rating.
- ◆ Expose to rain or moisture.
- ◆ Use outdoors.
- ◆ Expose to corrosive environmental conditions such as temperature, humidity, salinity, pressure, radiation, or shock.
- ◆ Set this product on a flammable surface.



Keep this User Manual for future use. If the product is sold to someone else, be sure that they also receive this document.

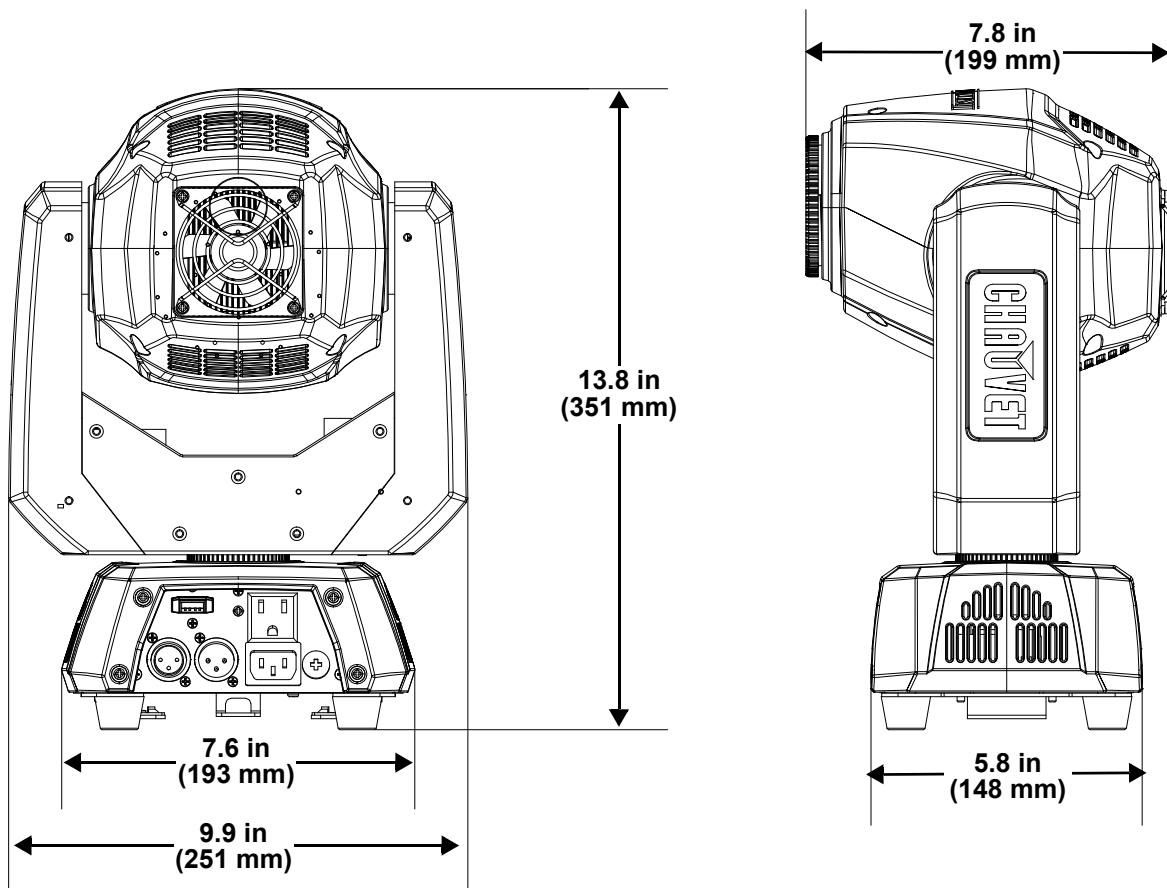
2. Introduction

Product Overview



#	Name
1	Mounting head
2	Yoke
3	LED Display
4	IR sensor
5	LED indicator
6	Mic
7	Menu buttons
8	Safety loop
9	D-Fi USB port
10	3-pin DMX in/out
11	Fuse holder
12	Power in/out

Product Dimensions



3. Setup

AC Power

The Intimidator Spot 60 ILS has an auto-ranging power supply, and it can work with an input voltage range of 100 to 240 VAC, 50/60 Hz.

To determine the product's power requirements (circuit breaker, power outlet, and wiring), use the current value listed on the label affixed to the product's back panel, or refer to the product's specifications chart. The listed current rating indicates the product's average current draw under normal conditions.



- **Always connect the product to a protected circuit (a circuit breaker or fuse). Make sure the product has an appropriate electrical ground to avoid the risk of electrocution or fire.**
- **To eliminate unnecessary wear and improve its lifespan, during periods of non-use, completely disconnect the product from power via breaker or by unplugging it.**



Never connect the product to a rheostat (variable resistor) or dimmer circuit, even if the rheostat or dimmer channel serves only as a 0–100% switch.

Fuse Replacement

1. Disconnect the product from power.
2. Using a flat-head screwdriver, unscrew the fuse holder cap from the housing.
3. Remove the blown fuse.
4. Replace with a fuse of the same type and rating (F 2 A, 250 V).
5. Screw the fuse holder cap back in place and reconnect power.

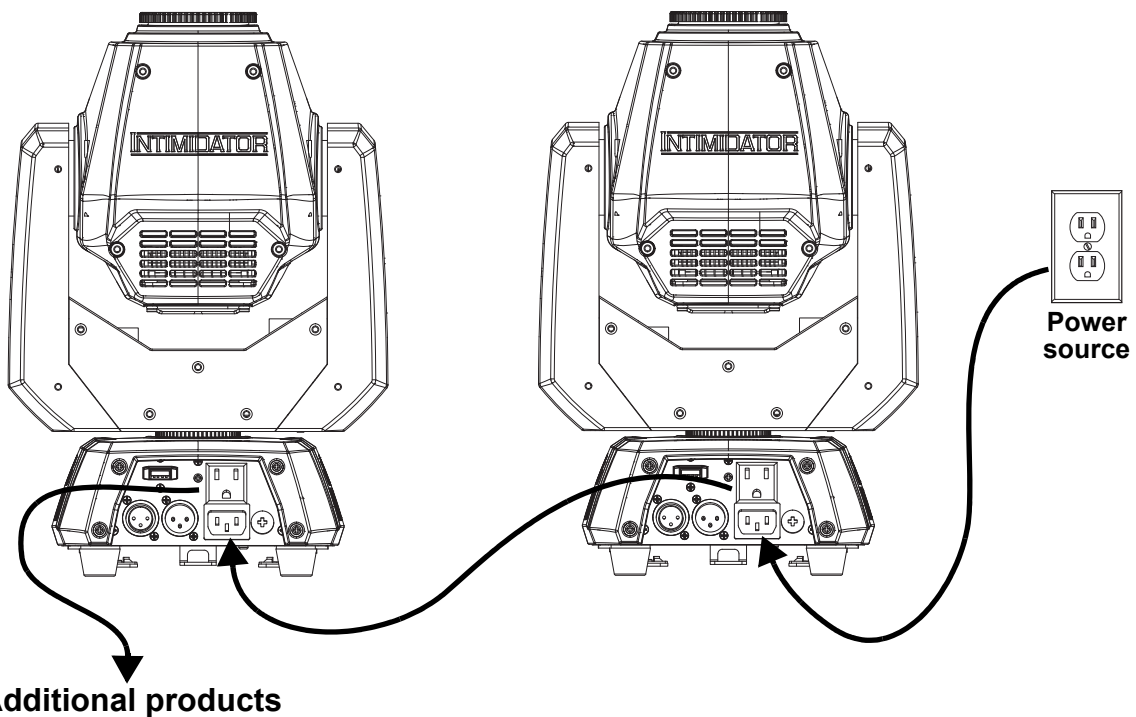


Disconnect the product from the power outlet before replacing the fuse.

Power Linking

The product provides power linking via the outlet located in the back of the product. See the diagram below for further explanation.

Power-Linking Diagram



It is possible power link up to 5 Intimidator Spot 60 ILS products on 120 VAC or up to 9 products on 230 VAC.

Mounting

Before mounting the product, read and follow the safety recommendations indicated in the [Safety Notes](#).

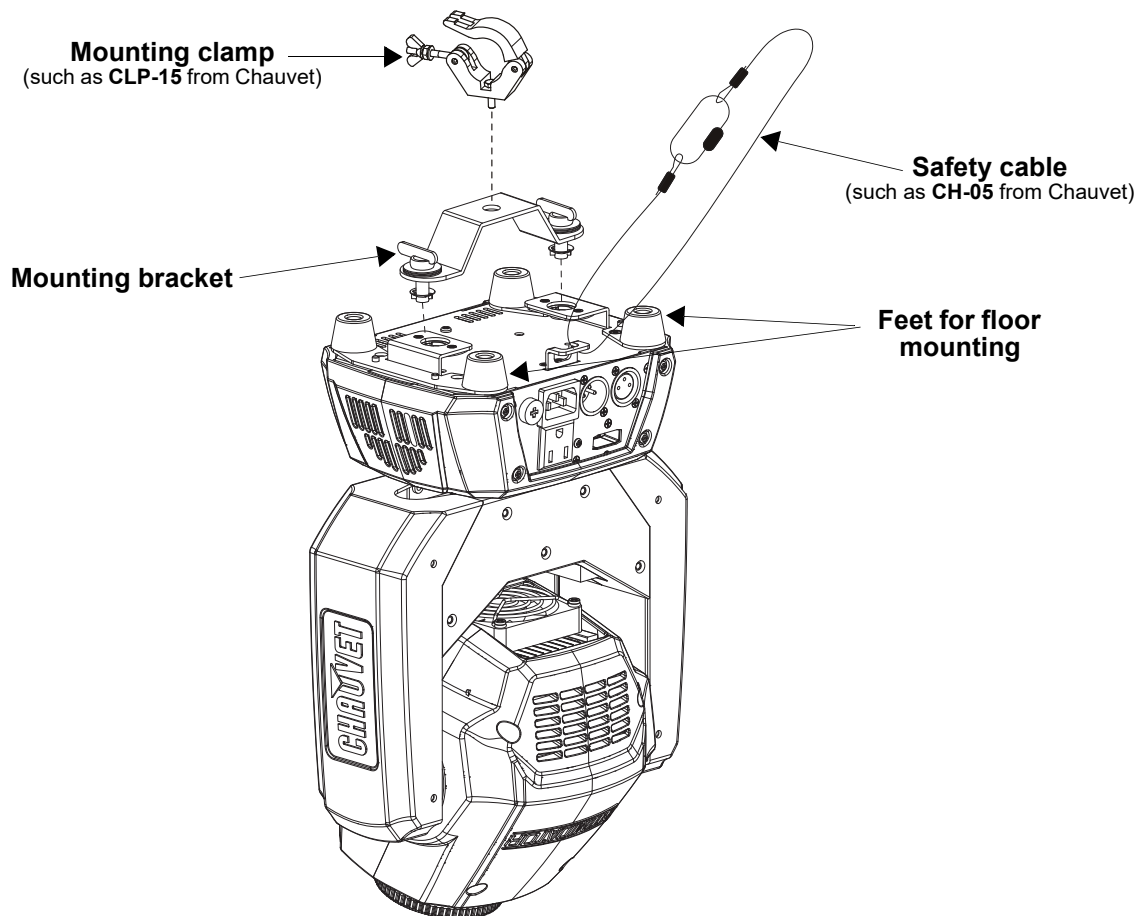
Orientation

The Intimidator Spot 60 ILS may be mounted in any position; however, make sure adequate ventilation is provided around the product.

Rigging

- Before deciding on a location, always make sure there is easy access to the product for maintenance and programming.
- Make sure adequate ventilation is provided around the product.
- Make sure that the structure or surface can support the weight before mounting the product (see the [Technical Specifications](#) section).
- When mounting the product overhead, always use a safety cable. Mount the product securely to a rigging point, whether an elevated platform or a truss.
- When rigging the product onto a truss, use a mounting clamp of appropriate weight capacity.
- When power linking multiple products, mount the products close enough for power-linking cables to reach.
- The rubber feet also serve as floor supports and allow for surface mounting. When mounting the product on the floor, make sure that the product and cables are away from people and vehicles.

Mounting Diagram



When using one mounting clamp with this fixture, use a clamp with a captive bolt to prevent accidental loosening.

4. Operation

Control Panel Operation

To access the control panel functions, use the four buttons located underneath the display. Please refer to the [Product Overview](#) to see the button locations on the control panel.

Button	Function
<MENU>	Exits from the current menu or function
<UP>	Navigates upwards through the menu list or increases a selected numeric value
<DOWN>	Navigates downwards through the menu list or decreases a selected numeric value
<ENTER>	Enables the currently displayed menu or sets a selected value into the selected function

Menu Map

Refer to the Intimidator Spot 60 ILS product page on www.chauvetdj.com for the latest software and menu map.

Main Menu	Programming Levels		Description	
DMX Address	001–499		Selects DMX starting address	
Run Mode	DMX	08CH	8-channel DMX mode	
		10CH	10-channel DMX mode	
		14Ch	14-channel DMX mode	
	Slave	Slave 1–4	Sets which slave unit(s) will mimic the master unit	
	ILS	ILS1–4	Sets ILS mode	
	AUTO		Sets the fixture to Auto mode	
	Sound		Sets the fixture to Sound mode	
	IR		Selects infrared control	
	Manual	Pan	000–255	Adjusts the pan angle
		Tilt		Adjusts the tilt angle
		Color		Selects the color manually
		Gobo		Selects the gobo manually
		Gobo Rotate		Adjusts gobo rotation
		Prism		Adjusts prism
		Focus		Adjusts focus
Dimmer		Adjusts the brightness		
	Shutter	Adjusts the shutter		
Setup	Pan Reverse	OFF	Normal pan operation	
		ON	Reverse pan operation	
	Tilt Reverse	OFF	Normal tilt operation	
		ON	Reverse tilt operation	
	Screen Reverse	OFF	Normal display	
		ON	Reverse display	
	Pan Angle	540	Selects the 540° pan angle range	
		360	Selects the 360° pan angle range	
		180	Selects the 180° pan angle range	
	Tilt Angle	234	Selects the 234° tilt angle range	
		180	Selects the 180° tilt angle range	
		90	Selects the 90° tilt angle range	
	Totem Mode	OFF	Does not restrict the pan and tilt motion	
		UP	Restricts the pan and tilt motion for overhead mounting	
		DOWN	Restricts the pan and tilt motion for surface/floor mounting	
Sensitivity	000–100	Sets the sound sensitivity in Sound mode		
DMX Loss	Hold	Holds the last setting when DMX signal is lost		
	Black	Blacks out the fixture when DMX signal is lost		
	Auto	Sets the fixture to Auto mode when DMX signal is lost		
	Sound	Sets the fixture to Sound mode when DMX signal is lost		

Main Menu	Programming Levels	Description	
Setup	Indicator	ON	Enables LED indicator
		OFF	Disables LED indicator
	Flash if DMX	ON	The LED indicator flashes when the unit is connected to the DMX
		OFF	The LED indicator flashes when the unit is disconnected from the DMX
	Follow Spot	OFF	Disables Follow Spot mode
		ON	Enables fixture to be controlled via ILS command
	Reset	NO	Resets individual functions or all functions from startup
		YES	
Factory Reset	NO	Resets settings to factory default	
	YES		
Sys Info	Ver:	V _ _ _	Displays the firmware version
	Running Mode:	_ _ _	Displays the current running mode
	DMX Address:	_ _ _	Displays the DMX address
	Temperature:	_ _ _ °C	Displays the LED PCB temperature in °C

DMX Configuration

The Intimidator Spot 60 ILS works with a DMX controller. Information about DMX is in the Chauvet DMX Primer available from the Chauvet website: www.chauvetdj.com.

DMX Personality and Starting Address

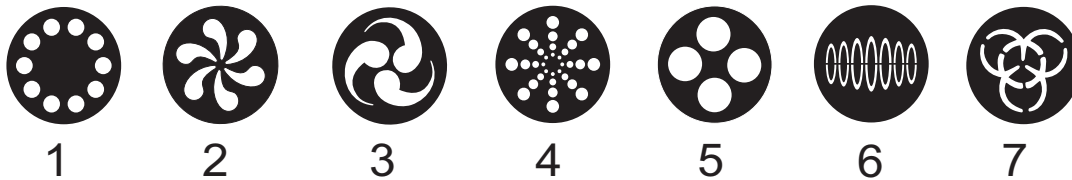
When selecting a starting DMX address, always consider the number of DMX channels the selected DMX mode uses. Choosing a starting address that is too high could restrict access to some of the product's channels. The Intimidator Spot 60 ILS uses up to 14 DMX channels in a 14CH DMX mode, which defines the highest configurable address to **499**.

For more information about the DMX protocol, download the DMX Primer from: www.chauvetdj.com.

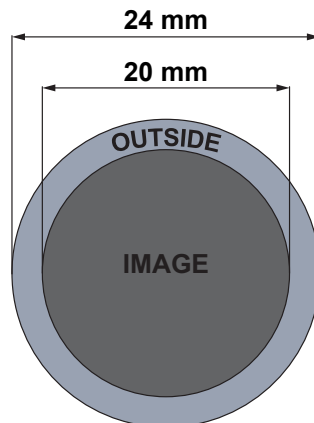
To select the starting address, do the following:

1. Press <MENU> repeatedly until **DMX Address** shows on the display.
2. Press <ENTER>.
3. Use <UP> or <DOWN> to select the starting address, from **001–499**.
4. Press <ENTER>.

Gobos



Gobo Dimensions



DMX Channel Assignments and Values

08CH	10CH	14CH	Function	Value	Percent/Setting
1	1	1	Pan	000 ⇔ 255	0–540°
–	–	2	Fine pan	000 ⇔ 255	Fine control of panning
2	2	3	Tilt	000 ⇔ 255	0–234°
–	–	4	Fine tilt	000 ⇔ 255	Fine control of tilting
–	–	5	Pan/tilt speed	000 ⇔ 255	Pan/tilt speed, fast to slow
3	3	6	Color wheel	000 ⇔ 006	White
				007 ⇔ 013	Red
				014 ⇔ 020	Orange
				021 ⇔ 027	Yellow
				028 ⇔ 034	Green
				035 ⇔ 041	Blue
				042 ⇔ 048	CTO
				049 ⇔ 055	Cyan
				056 ⇔ 062	Magenta
				063 ⇔ 189	Color indexing
				190 ⇔ 221	Color clockwise rotation, fast to slow
				222 ⇔ 223	Stop
4	4	7	Gobo wheel (see Gobos)	000 ⇔ 007	Open
				008 ⇔ 015	Gobo 1
				016 ⇔ 023	Gobo 2
				024 ⇔ 031	Gobo 3
				032 ⇔ 039	Gobo 4
				040 ⇔ 047	Gobo 5
				048 ⇔ 055	Gobo 6
				056 ⇔ 063	Gobo 7
				064 ⇔ 071	Gobo 7 shake, slow to fast
				072 ⇔ 079	Gobo 6 shake, slow to fast
				080 ⇔ 087	Gobo 5 shake, slow to fast
				088 ⇔ 095	Gobo 4 shake, slow to fast
				096 ⇔ 103	Gobo 3 shake, slow to fast
				104 ⇔ 111	Gobo 2 shake, slow to fast
				112 ⇔ 119	Gobo 1 shake, slow to fast
				120 ⇔ 127	Open
				128 ⇔ 189	Gobo clockwise rotation, slow to fast
190 ⇔ 193	Stop				
194 ⇔ 255	Gobo counter-clockwise rotation, slow to fast				
5	5	8	Gobo rotation	000 ⇔ 007	No function
				008 ⇔ 119	Gobo rotation, clockwise, slow to fast
				120 ⇔ 231	Gobo rotation, counterclockwise, slow to fast
				232 ⇔ 255	Gobo bounce, short to long
6	6	9	Prism	000 ⇔ 015	No function
				016 ⇔ 255	3-facet prism
7	7	10	Focus	000 ⇔ 255	Focus, large to small
–	9	11	Dimmer	000 ⇔ 255	0–100%

08CH	10CH	14CH	Function	Value	Percent/Setting
8	8	12	Shutter	000 ⇔ 003	Closed
				004 ⇔ 007	Open
				008 ⇔ 076	Strobe, slow to fast
				077 ⇔ 145	Pulse strobe, slow to fast
				146 ⇔ 215	Random strobe, slow to fast
				216 ⇔ 255	Open
-	10	13	Function	000 ⇔ 007	No function
				008 ⇔ 015	Blackout on pan/tilt movement
				016 ⇔ 023	Blackout on color wheel movement
				024 ⇔ 031	Blackout on gobo wheel movement
				032 ⇔ 039	Blackout on pan/tilt/color wheel movement
				040 ⇔ 047	Blackout on pan/tilt/gobo wheel movement
				048 ⇔ 055	Blackout on pan/tilt/color wheel/gobo wheel movement
				056 ⇔ 095	No function
				096 ⇔ 103	Pan reset
				104 ⇔ 111	Tilt reset
				112 ⇔ 119	Color wheel reset
				120 ⇔ 127	Gobo wheel reset
				128 ⇔ 135	No function
				136 ⇔ 143	Prism reset
				144 ⇔ 151	Focus reset
				152 ⇔ 159	Reset all
				160 ⇔ 167	No function
				168 ⇔ 175	Run time from display menu setting
				176 ⇔ 183	Runtime 4-hour mode
				184 ⇔ 192	Runtime 6-hour mode
193 ⇔ 200	Runtime 8-hour mode				
201 ⇔ 255	No function				
-	-	14	Movement macro	000 ⇔ 007	No function
				008 ⇔ 023	Movement macro 1
				024 ⇔ 039	Movement macro 2
				040 ⇔ 055	Movement macro 3
				056 ⇔ 071	Movement macro 4
				072 ⇔ 087	Movement macro 5
				088 ⇔ 103	Movement macro 6
				104 ⇔ 119	Movement macro 7
				120 ⇔ 135	Movement macro 8
				136 ⇔ 151	Sound-active macro 1
				152 ⇔ 167	Sound-active macro 2
				168 ⇔ 183	Sound-active macro 3
				184 ⇔ 199	Sound-active macro 4
				200 ⇔ 215	Sound-active macro 5
				216 ⇔ 231	Sound-active macro 6
				232 ⇔ 247	Sound-active macro 7
248 ⇔ 255	Sound-active macro 8				

Standalone Configuration

Set the product in one of the standalone modes to control without a DMX controller.



Never connect a product that is operating in any standalone mode to a DMX string connected to a DMX controller. Products in standalone mode may transmit DMX signals that could interfere with the DMX signals from the controller.

Run Mode

Automatic mode

To run the Intimidator Spot 60 ILS in automatic mode, follow the instructions below:

1. Press **<MENU>** repeatedly until **Run Mode** is displayed.
2. Press **<ENTER>**.
3. Use **<UP>** or **<DOWN>** to select **Auto**.
4. Press **<ENTER>**.

Sound-active mode

To run the Intimidator Spot 60 ILS in sound mode, do the following:

1. Press **<MENU>** repeatedly until **Run Mode** is displayed.
2. Press **<ENTER>**.
3. Use **<UP>** or **<DOWN>** to select **Sound**.
4. Press **<ENTER>**.



The product will only respond to low frequencies of music (bass and drums).

Manual Mode

To operate the Intimidator Spot 60 ILS manually through the menu, do the following:

1. Press **<MENU>** repeatedly until **Run Mode** is displayed.
2. Press **<ENTER>**.
3. Use **<UP>** or **<DOWN>** to select **Manual**.
4. Press **<ENTER>**.
5. Use **<UP>** or **<DOWN>** to select from **Pan, Tilt, Color, Gobo, Gobo Rotate, Prism, Focus, Dimmer, or Shutter**.
6. Press **<ENTER>**.
7. Use **<UP>** or **<DOWN>** to increase or decrease the value of the selected function, from **000–255**.
8. Press **<ENTER>**.
9. Repeat steps 6–9 until the product is set as desired.

Settings Configuration

Pan Reverse

To manually set the orientation of the pan on the Intimidator Spot 60 ILS, follow the instructions below:

1. Press **<MENU>** repeatedly until **Setup** shows on the display.
2. Press **<ENTER>**.
3. Use **<UP>** or **<DOWN>** to select **Pan Reverse**.
4. Press **<ENTER>**.
5. Use **<UP>** or **<DOWN>** to select **OFF** (normal pan motion) or **ON** (reversed pan motion).
6. Press **<ENTER>**.

Tilt Reverse

To manually set the orientation of the tilt on the Intimidator Spot 60 ILS, do the following:

1. Press **<MENU>** repeatedly until **Setup** shows on the display.
2. Press **<ENTER>**.
3. Use **<UP>** or **<DOWN>** to select **Tilt Reverse**.
4. Press **<ENTER>**.
5. Use **<UP>** or **<DOWN>** to select **OFF** (normal tilt motion) or **ON** (reversed tilt motion).
6. Press **<ENTER>**.

Screen Reverse

To manually set the orientation of the tilt on the Intimidator Spot 60 ILS, do the following:

1. Press **<MENU>** repeatedly until **Setup** shows on the display.
2. Press **<ENTER>**.
3. Use **<UP>** or **<DOWN>** to select **Screen Reverse**.
4. Press **<ENTER>**.
5. Use **<UP>** or **<DOWN>** to select **OFF** (normal screen display) or **ON** (reversed screen display).
6. Press **<ENTER>**.

Pan Range

To set the maximum angle of the pan on the Intimidator Spot 60 ILS, do the following:

1. Press **<MENU>** repeatedly until **Setup** shows on the display.
2. Press **<ENTER>**.
3. Use **<UP>** or **<DOWN>** to select **Pan Range**.
4. Press **<ENTER>**.
5. Use **<UP>** or **<DOWN>** to set the pan angle from **180** (180°), **360** (360°), or up to **540** (540°).
6. Press **<ENTER>**.

Tilt Range

To set the maximum angle of the tilt on the Intimidator Spot 60 ILS, follow the instructions below:

1. Press **<MENU>** repeatedly until **Setup** shows on the display.
2. Press **<ENTER>**.
3. Use **<UP>** or **<DOWN>** to select **Tilt Range**.
4. Press **<ENTER>**.
5. Use **<UP>** or **<DOWN>** to set the tilt angle from **90** (90°), **180** (180°), or up to **234** (234°).
6. Press **<ENTER>**.

Totem Mode

To restrict the range of pan and tilt motion based on how the Intimidator Spot 60 ILS is mounted, do the following:

1. Press **<MENU>** repeatedly until **Setup** is displayed.
2. Press **<ENTER>**.
3. Use **<UP>** or **<DOWN>** to select **Totem Mode**.
4. Press **<ENTER>**.
5. Use **<UP>** or **<DOWN>** to select from **OFF** (no restriction on the pan and tilt motion), **UP** (restricts the pan and tilt motion for overhead mounting), or **DOWN** (restricts the pan and tilt motion for surface or floor mounting).
6. Press **<ENTER>**.

Sound Sensitivity

To set the sound sensitivity on the Intimidator Spot 60 ILS, follow the instructions below:

1. Press **<MENU>** repeatedly until **Setup** is displayed.
2. Press **<ENTER>**.
3. Use **<UP>** or **<DOWN>** to select **Sensitivity**.
4. Press **<ENTER>**.
5. Use **<UP>** or **<DOWN>** to increase or decrease the sound sensitivity, from **000–100**.
6. Press **<ENTER>**.

DMX Loss

To set the action that the Intimidator Spot 60 ILS will do when the DMX signal is lost, do the following:

1. Press **<MENU>** repeatedly until **Setup** is displayed.
2. Press **<ENTER>**.
3. Use **<UP>** or **<DOWN>** to select **DMX Loss**.
4. Press **<ENTER>**.
5. Use **<UP>** or **<DOWN>** to select from **Hold** (holds the last setting when DMX signal is lost), **Black** (blacks out the fixture when DMX signal is lost), **Auto** (sets the fixture to Auto mode when DMX signal is lost), or **Sound** (sets the fixture to Sound mode when DMX signal is lost).
6. Press **<ENTER>**.

Indicator

To enable or disable the LED indicator on the Intimidator Spot 60 ILS, follow the instructions below:

1. Press **<MENU>** repeatedly until **Setup** is displayed.
2. Press **<ENTER>**.
3. Use **<UP>** or **<DOWN>** to select **Indicator**.
4. Press **<ENTER>**.
5. Use **<UP>** or **<DOWN>** to select from **ON** (enables the LED indicator) or **OFF** (disables the LED indicator).
6. Press **<ENTER>**.

Flash if DMX

To set whether the LED indicator flashes when the Intimidator Spot 60 ILS is connected to or disconnected from the DMX, do the following:

1. Press **<MENU>** repeatedly until **Setup** is displayed.
2. Press **<ENTER>**.
3. Use **<UP>** or **<DOWN>** to select **Flash if DMX**.
4. Press **<ENTER>**.
5. Use **<UP>** or **<DOWN>** to select from **ON** (the LED indicator flashes when the fixture is connected to the DMX) or **OFF** (the LED indicator flashes when the fixture is disconnected to the DMX).
6. Press **<ENTER>**.

Follow Spot Mode

To enable fixtures to be controlled via ILS command, follow the instructions below:

1. Press **<MENU>**.
2. Use **<UP>** or **<DOWN>** to select **Setup**.
3. Press **<ENTER>**.
4. Use **<UP>** or **<DOWN>** to select **Follow Spot**.
5. Press **<ENTER>**.
6. Use **<UP>** or **<DOWN>** to select **ON** (enables Follow Spot mode) or **OFF** (disables follow spot mode).
7. Press **<ENTER>**.

Reset

To reset all functions on the Intimidator Spot 60 ILS, do the following:

1. Press **<MENU>**.
2. Use **<UP>** or **<DOWN>** to select **Setup**.
3. Press **<ENTER>**.
4. Use **<UP>** or **<DOWN>** to select **Reset**.
5. Press **<ENTER>**.

Factory Reset

To restore the Intimidator Spot 60 ILS to factory default settings, follow the instructions below:

1. Press **<MENU>**.
2. Use **<UP>** or **<DOWN>** to select **Setup**.
3. Press **<ENTER>**.
4. Use **<UP>** or **<DOWN>** to select **Factory Set**.
5. Press **<ENTER>**.

System Information

To view the system information on the Intimidator Spot 60 ILS, do the following:

1. Press **<MENU>**.
2. Use **<UP>** or **<DOWN>** to select **Sys Info**.
3. Press **<ENTER>**.
4. Use **<UP>** or **<DOWN>** to select **Ver** (displays the firmware version), **Running Mode** (displays the current running mode), **DMX Address** (displays the current DMX address), or **Temperature** (displays the product temperature in °C).

Calibration Menu

To access the calibration menu of the Intimidator Spot 60 ILS, do the following:

1. Power on the product.
2. Once the screen displays the CHAUVET DJ logo, press the **<ENTER>** and **<DOWN>** buttons simultaneously.
 - The screen will display **"MOTOR SET"** above and **"Resetting..."** below the CHAUVET DJ logo.
3. After about 10 seconds, the screen will show the calibration menu.

ILS Mode

ILS (Integrated Lighting System) provides 4 modes that synchronize with the GigBAR MOVE+ILS: Modes 1 and 3 synchronize with side 1 of the GigBAR MOVE+ILS, whereas modes 2 and 4 synchronize with side 2 of the GigBAR MOVE+ILS. When linked, effects will sync with the most similar effect on the selected side of the GigBAR MOVE+ILS: Kinta effects will sync with one of the kintas, moving heads will sync with one of the moving heads, and wash effects will sync with one of the pars. Laser effects will sync with the laser, and strobe effects will sync with the strobe effects regardless of ILS mode.

This product will synchronize with the spot effect on the selected side of the GigBAR MOVE+ILS, as well as the laser and strobes.

To set the Intimidator Spot 60 ILS to respond to an ILS signal:

1. Press **<MENU>** repeatedly until **ILS** shows on the display.
2. Use **<UP>** or **<DOWN>** to select from **ILS1** (side 1), **ILS2** (side 2), **ILS3** (side 1), or **ILS4** (side 2).
3. Press **<ENTER>**.

D-Fi USB Connectivity

The Intimidator Spot 60 ILS is able to become a D-Fi wireless receiver/transmitter with the use of the D-Fi USB from Chauvet DJ. Simply set the product's DMX Personality and DMX Address, set the DIP switch D-Fi receiving/transmitting channel, then plug it into the D-Fi USB port.



WARNING! DO NOT plug anything other than a D-Fi USB into the USB type B port. Doing so may cause damage to the product.



Once plugged in, the D-Fi USB will take over the product. Wired DMX and manual display control / menu buttons will be unavailable until the D-Fi USB is unplugged. The priority levels are:

1. D-Fi USB
2. Wired DMX
3. Manual Digital Display/Menu Buttons

D-Fi USB Compatibility

The D-Fi USB can receive a DMX signal from the D-Fi Hub and the FlareCON Air 2 as well as other D-Fi USB products.

D-Fi USB Configuration

1. Set the DMX Personality and DMX address on the Intimidator Spot 60 ILS.
2. Use the Chart provided to set **BOTH**:
 - the Channel, and then
 - The Receiving or Transmitting option

NOTE: DIP Switch 5 is for Transmitting OR Receiving, please choose carefully.

D-Fi USB DIP Switch Channels

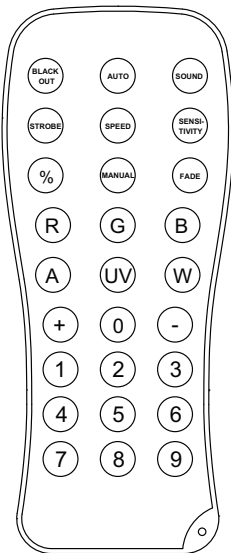
Receiving					Receiving					Transmitting					Transmitting								
Ch.	1	2	3	4	T/R	Ch.	1	2	3	4	T/R	Ch.	1	2	3	4	T/R	Ch.	1	2	3	4	T/R
1	█	█	█	█	█	9	█	█	█	█	█	1	█	█	█	█	█	9	█	█	█	█	█
2	█	█	█	█	█	10	█	█	█	█	█	2	█	█	█	█	█	10	█	█	█	█	█
3	█	█	█	█	█	11	█	█	█	█	█	3	█	█	█	█	█	11	█	█	█	█	█
4	█	█	█	█	█	12	█	█	█	█	█	4	█	█	█	█	█	12	█	█	█	█	█
5	█	█	█	█	█	13	█	█	█	█	█	5	█	█	█	█	█	13	█	█	█	█	█
6	█	█	█	█	█	14	█	█	█	█	█	6	█	█	█	█	█	14	█	█	█	█	█
7	█	█	█	█	█	15	█	█	█	█	█	7	█	█	█	█	█	15	█	█	█	█	█
8	█	█	█	█	█	16	█	█	█	█	█	8	█	█	█	█	█	16	█	█	█	█	█

IRC-6 Infrared Remote Control

The Intimidator Spot 60 ILS is compatible with the IRC-6 infrared remote control from Chauvet. To set the Intimidator Spot 60 ILS to IR mode, follow the instructions below:

1. Press **<MENU>**.
2. Use **<UP>** or **<DOWN>** to select **Run Mode**.
3. Press **<ENTER>**.
4. Press **<UP>** or **<DOWN>** to select **IR**.
5. Press **<ENTER>**.

IRC-6 Operation



Dimmer

To set the dimmer value with the IRC-6:

1. Press **<DIMMER>**.
2. Use **<+>** or **<->** to widen or narrow the shutter.

Pan/Tilt

To set the pan/tilt speed using the IRC-6:

1. Press **<SPEED>**.
2. Use **<+>** or **<->** to increase or decrease the pan/tilt speed from **000** (fastest) to **255** (slowest).

To manually set the pan/tilt values:

1. Press **<A>** to toggle between pan and tilt.
2. Use **<+>** or **<->** to increase or decrease the pan/tilt value, from **000–255**.

Sound Mode

To activate sound-active mode using the IRC-6:

1. Press **<SOUND>**.

To adjust the sound sensitivity:

1. Press **<SENSITIVITY>**.
2. Use **<+>** or **<->** to increase or decrease the sound sensitivity.

Auto Mode

To activate auto mode using the IRC-6:

1. Press **<AUTO>**.
2. Press **<+>**, **<->**, or **<0>–<9>** to select an auto program.

To activate auto color/gobo mode using the IRC-6:

1. Press ****.

Color Wheel

To access the color wheel using the IRC-6:

1. Press **<FADE>** to cycle through the static colors in the color wheel.

To adjust the speed of the color wheel rotation:

1. Press **<R>** to set the color wheel rotation speed.
2. Use **<+>** or **<->** to increase or decrease the speed from **000** (slowest) to **255** (fastest).
3. Press **<R>** to toggle direction.

Gobo Wheel

To access the gobo wheel using the IRC-6:

1. Press **<MANUAL>** to cycle through the static gobos in the gobo wheel.

To adjust the speed of the gobo wheel rotation:

1. Press **<G>** to set the gobo wheel rotation speed.
2. Use **<+>** or **<->** to increase or decrease the speed from **000** (slowest) to **255** (fastest).
3. Press **<G>** to toggle direction.

Blackout

To blackout the lights with the IRC-6:

1. Press **<BLACKOUT>** on the IRC-6.

This will turn off all the lights until the button is pressed again.

Note: The IRC-6 will not respond to any inputs when Blackout is activated. If the product does not respond when a button is pressed, try pressing <BLACKOUT>, as Blackout may have been activated.

Master/Slave Mode

The Master/Slave mode allows a single Intimidator Spot 60 ILS product (the “master”) to control the actions of one or more Intimidator Spot 60 ILS products (the “slaves”) without the need of a DMX controller. The master product will be set to operate in either standalone mode or with the IRC-6, whereas the slave products will be set to operate in slave mode. Once set and connected, the slave products will operate in unison with the master product.

Wired Master/Slave Mode

Configure the products as indicated below.

Slave products:

1. Press **<MENU>**.
2. Use **<UP>** or **<DOWN>** to select **Run Mode**.
3. Press **<ENTER>**.
4. Use **<UP>** or **<DOWN>** to select **Slave**.
5. Press **<ENTER>**.
6. Use **<UP>** or **<DOWN>** to select from **Slave1**, **Slave2**, **Slave3**, or **Slave4**.
 - Select **Slave1** for 100% synchronized actions.
 - Select **Slave2**, **Slave3**, and/or **Slave4** for delayed actions, creating a wave effect.
7. Press **<ENTER>**.
8. Connect the DMX input of the first slave product to the DMX output of the master product.
9. Connect the DMX input of the subsequent slave products to the DMX output of the previous slave product.
10. Finish setting and connecting all the slave products.

Master product:

1. Set the master product to operate in standalone mode or with the IRC-6.
2. Make the master product the first product in the DMX daisy chain.



- **Configure all the slave products before connecting the master to the daisy chain.**
- **Never connect a DMX controller to a DMX string configured for Master/Slave operation because the controller may interfere with the signals from the master.**

D-Fi USB Master/Slave Mode

The D-Fi USB allows a single Intimidator Spot 60 ILS product (the “master”) to control the actions of one or more Intimidator Spot 60 ILS products (the “slaves”) without the need of a DMX controller or DMX cables. The master (transmitter) product will be set to operate in either standalone mode or with the footswitch, while the slave (receiver) products will be set to operate in slave mode. Once set and connected, the slave products will operate in unison with the master product.

Configure the products as indicated below.

Slave products:

1. Press **<MENU>** repeatedly until **08Ch**, **10Ch**, or **14Ch** shows on the display.
2. Press **<ENTER>** to accept.
3. Set the DMX address to **001**.
4. Set D-Fi USB to receive on a specific channel, 1–16 (use the [D-Fi USB DIP Switch Channels](#) image for help).
5. Plug in the D-Fi USB.
6. Finish setting and connecting all the slave products.

Master product:

1. Press **<MENU>** repeatedly until the DMX personality the slaves are set to show on the display.
2. Press **<ENTER>** to accept.
3. Set the DMX address to **001**.
4. Set the master to operate in either Automatic or Sound-Active mode.
5. Set the D-Fi USB transmit on the D-Fi channel the slaves are receiving on (use the [D-Fi USB DIP Switch Channels](#) image for help).
6. Plug in the D-Fi USB.



- **All products must be set to the same DMX personality, DMX address, and D-Fi channel.**
- **Configure all the slave products before configuring the master to transmit.**
- **Never connect a DMX controller to a D-Fi channel configured for Master/Slave operation because the controller may interfere with the signals from the master.**

5. Maintenance

Product Maintenance

Dust build-up reduces light output performance and can cause overheating. This can lead to reduction of the light source's life and/or mechanical wear. To maintain optimum performance and minimize wear, clean the lighting products at least twice a month. However, be aware that usage and environmental conditions could be contributing factors to increase the cleaning frequency.

To clean the product, follow the instructions below:

1. Unplug the product from power.
2. Wait until the product is at room temperature.
3. Use a vacuum (or dry compressed air) and a soft brush to remove dust collected on the external surface/vents.
4. Clean all transparent surfaces with a mild soap solution, ammonia-free glass cleaner, or isopropyl alcohol.
5. Apply the solution directly to a soft, lint-free cotton cloth or a lens-cleaning tissue.
6. Softly drag any dirt or grime to the outside of the transparent surface.
7. Gently polish the transparent surfaces until they are free of haze and lint.



Always dry the transparent surfaces carefully after cleaning them.



Do not spin the cooling fans using compressed air because they could be damaged.

6. Technical Specifications

Dimensions and Weight

Length	Width	Height	Weight
9.9 in (251 mm)	7.8 in (199 mm)	13.8 in (351 mm)	11.2 lb (5.1 kg)

Note: Dimensions in inches rounded to the nearest decimal digit.

Power

Power Supply Type	Range	Voltage Selection
Switching (internal)	100 to 240 VAC, 50/60 Hz	Auto-ranging
Parameter	120 V, 60 Hz	230 V, 50 Hz
Consumption	107 W	105 W
Operating current	1.5 A	1 A
Power-linking current (products)	5 products	9 products
Power I/O	U.S./Worldwide	UK/Europe
Power input connector	IEC	IEC
Power output connector	IEC	IEC
Power cord plug	Edison (U.S.)	Local plug

Light Source

Type	Color	Quantity	Power	Current	Lifespan
LED	Cool white	1	70 W	3.3 A	50,000 hours

Photometrics

Parameter	Value
Strobe rate	0 to 20 Hz
PWM frequency	1.4 kHz
Zoom angle	15° to 17°
Illuminance @ 2 m (15°)	10,012 lux
Illuminance @ 2 m (17°)	7,792 lux

Thermal

Maximum External Temperature	Cooling System
104 °F (40 °C)	Convection

DMX

I/O Connector	Channel Range
3-pin XLR	8, 10, or 14

Ordering

Product Name	Item Code	UPC Number
Intimidator Spot 60 ILS	10012189	781462225377



Contact Us

General Information	Technical Support
Chauvet World Headquarters	
Address: 3360 Davie Rd., Suite 509 Davie, FL 33314 Voice: (954) 577-4455 Fax: (954) 929-5560 Toll Free: (800) 762-1084	Voice: (844) 393-7575 Fax: (954) 756-8015 Email: chauvetcs@chauvetlighting.com Website: www.chauvetdj.com
Chauvet U.K.	
Address: Pod 1 EVO Park Little Oak Drive, Sherwood Park Nottinghamshire, NG15 0EB UK Voice: +44 (0) 1773 511115 Fax: +44 (0) 1773 511110	Email: UKtech@chauvetlighting.eu Website: www.chauvetdj.eu
Chauvet Benelux	
Address: Stokstraat 18 9770 Kruishoutem Belgium Voice: +32 9 388 93 97	Email: BNLtech@chauvetlighting.eu Website: www.chauvetdj.eu
Chauvet France	
Address: 3, Rue Ampère 91380 Chilly-Mazarin France Voice: +33 1 78 85 33 59	Email: FRtech@chauvetlighting.fr Website: www.chauvetdj.eu
Chauvet Germany	
Address: Bruno-Bürgel-Str. 11 28759 Bremen Germany Voice: +49 421 62 60 20	Email: DEtech@chauvetlighting.de Website: www.chauvetdj.eu
Chauvet Mexico	
Address: Av. de las Partidas 34 - 3B (Entrance by Calle 2) Zona Industrial Lerma Lerma, Edo. de México, CP 52000 Voice: +52 (728) 690-2010	Email: servicio@chauvet.com.mx Website: www.chauvetdj.mx

Warranty & Returns

For warranty terms and conditions and return information, please visit our website.

For customers in the United States and Mexico: www.chauvetlighting.com/warranty-registration.

For customers in the United Kingdom, Republic of Ireland, Belgium, the Netherlands, Luxembourg, France, and Germany: www.chauvetlighting.eu/warranty-registration.