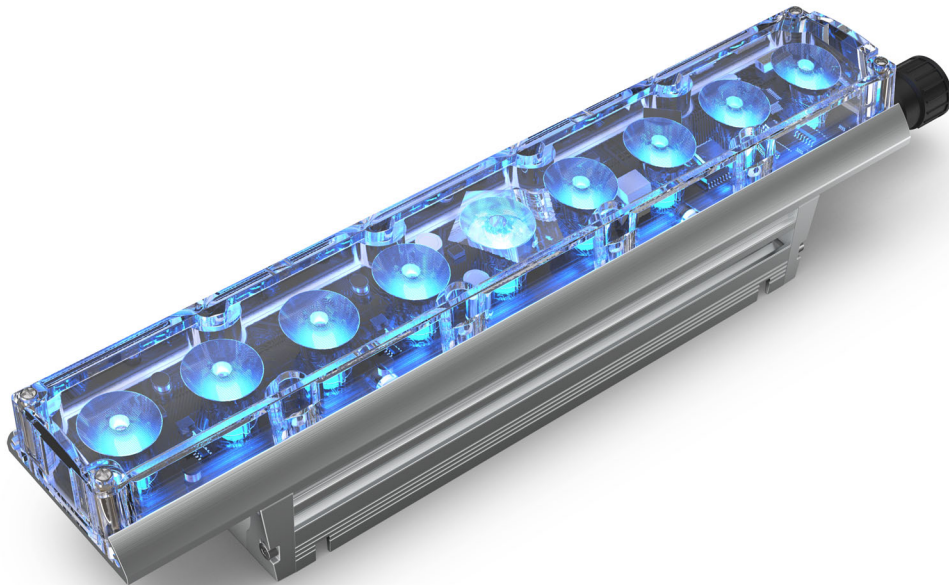


# ILUMILINE SL

User Manual



Model ID: ILUMILINESL

**ILUMINARC®**

## Edition Notes

The Ilumiline SL User Manual includes a description, safety precautions, installation, programming, operation and maintenance instructions for the Ilumiline SL as of the release date of this edition.

## Trademarks

ILUMINARC, the Iluminarc logo, and Ilumiline SL are registered trademarks or trademarks of Chauvet & Sons, LLC (d/b/a Chauvet and Chauvet Lighting) in the United States and other countries. Other company and product names and logos referred to herein may be trademarks of their respective companies.

## Copyright Notice

The works of authorship contained in this manual, including, but not limited to, all design, text and images are owned by Chauvet.

© Copyright 2022 Chauvet & Sons, LLC. All rights reserved.

Electronically published by Chauvet in the United States of America.

## Manual Use

Chauvet authorizes its customers to download and print this manual for professional information purposes only. Chauvet expressly prohibits the usage, copy, storage, distribution, modification, or printing of this manual or its content for any other purpose without written consent from Chauvet.

## Document Printing

For best results, print this document in color, on letter size paper (8.5 x 11 in), double-sided. If using A4 paper (210 x 297 mm), configure the printer to scale the content accordingly.

## Intended Audience

Any person installing, operating, and/or maintaining this product should completely read through the guide that shipped with the product, as well as this manual, before installing, operating, or maintaining this product.

## Disclaimer

Chauvet believes that the information contained in this manual is accurate in all respects. However, Chauvet assumes no responsibility and specifically disclaims any and all liability to any party for any loss, damage or disruption caused by any errors or omissions in this document, whether such errors or omissions result from negligence, accident or any other cause. Chauvet reserves the right to revise the content of this document without any obligation to notify any person or company of such revision, however, Chauvet has no obligation to make, and does not commit to make, any such revisions. Download the latest version from [www.iluminarc.com](http://www.iluminarc.com).

## Document Revision

This Ilumiline SL User Manual is the 5<sup>th</sup> edition of this document. Go to [www.iluminarc.com](http://www.iluminarc.com) for the latest version.

## LIMITED WARRANTY

**FOR WARRANTY REGISTRATION AND COMPLETE TERMS AND CONDITIONS PLEASE VISIT OUR WEBSITE.**

**For Customers in the United States and Mexico:** [www.wwww.iluminarc.com/warranty-registration-architectural-lighting](http://www.wwww.iluminarc.com/warranty-registration-architectural-lighting).

**For Customers in the United Kingdom, Republic of Ireland, Belgium, the Netherlands, Luxembourg, France, and Germany:** [www.wwww.iluminarc.com/warranty-registration-architectural-lighting](http://www.wwww.iluminarc.com/warranty-registration-architectural-lighting).

Chauvet warrants that this product shall be free from defects in material and workmanship under normal use, for the period specified in, and subject to the exclusions and limitations set forth in the full limited warranty on our website. This warranty extends only to the original purchaser of the product and is not transferable. To exercise rights under this warranty, you must provide proof of purchase in the form of an original sales receipt from an authorized dealer that shows the product name and date of purchase.

THERE ARE NO OTHER EXPRESS OR IMPLIED WARRANTIES. This warranty gives you specific legal rights. You may also have other rights that vary from state to state and country to country. This warranty is valid only in the United States, United Kingdom, Republic of Ireland, Belgium, the Netherlands, Luxembourg, France, Germany and Mexico. For warranty terms in other countries, please consult your local distributor.

**TABLE OF CONTENTS**

<b>1. Before You Begin</b> .....	1
What Is Included .....	1
Claims .....	1
Text Conventions .....	1
Symbols .....	1
FCC Compliance .....	1
Safety Notes .....	2
Personal Safety .....	2
Mounting and Rigging .....	2
Power and Wiring .....	2
Operation .....	3
Expected LED Lifespan .....	3
<b>2. Introduction</b> .....	4
Description .....	4
Product Overview .....	4
Product Dimensions .....	5
<b>3. Setup</b> .....	6
AC Power .....	6
Ilumiline Power and Data Interface .....	6
AC Plug .....	6
Power Linking .....	6
DMX Linking .....	7
DMX Connection .....	7
Remote Device Management (RDM) .....	7
Beam Shaping Filters .....	7
Mounting .....	8
Orientation .....	8
Rigging .....	8
Procedure .....	8
<b>4. Operation</b> .....	9
Ilumicode/RDM2go Control .....	9
Menu Map .....	9
Configuration (DMX) .....	10
Control Personalities .....	10
Starting Address .....	10
Control Channel Assignments and Values .....	11
Preset Color Chart .....	11
Color Temperature Chart .....	11
ARC .....	12
SOLID .....	12
SPECIAL1 / SPECIAL2 .....	12
Configuration (Static Mode) .....	13
Configuration (Settings) .....	13
Dimmer Speed .....	13
Color Calibration .....	13
Color Macro White Balance .....	13
RGBTOW Mode .....	13
Universal Calibration .....	13
Factory Reset .....	13
<b>5. Maintenance</b> .....	14
Product Maintenance .....	14
<b>6. Technical Specifications</b> .....	15
<b>Returns</b> .....	16
<b>Contact Us</b> .....	17

# 1. Before You Begin

## What Is Included

- Ilumiline SL
- Quick Reference Guide

## Claims

Carefully unpack the product immediately and check the container to make sure all the parts are in the package and are in good condition.




If the box or the contents (the product and included accessories) appear damaged from shipping, or show signs of mishandling, notify the carrier immediately, not Chauvet. Failure to report damage to the carrier immediately may invalidate your claim. In addition, keep the box and contents for inspection.

For other issues, such as missing components or parts, damage not related to shipping, or concealed damage, file a claim with Chauvet within 7 days of delivery.

## Text Conventions

Convention	Meaning
<b>1–512</b>	A range of values
<b>50/60</b>	A set of values of which only one can be chosen
<b>Settings</b>	A menu option not to be modified
<b>&lt;ENTER&gt;</b>	A key to be pressed on the product's control panel

## Symbols

Symbol	Meaning
	Critical installation, configuration, or operation information. Not following these instructions may make the product not work, cause damage to the product, or cause harm to the operator.
	Important installation or configuration information. The product may not function correctly if this information is not used.
	Useful information.



**Any reference to data or power connections in this manual assumes the use of proprietary IP66-rated cables.**



**The term “DMX” used throughout this manual refers to the USITT DMX512-A digital data transmission protocol.**

## FCC Compliance

This device complies with Part 15 Part B of the FCC Rules. Operation is subject to the following two conditions:

1. This device may not cause harmful interference, and
2. This device must accept any interference received, including interference that may cause undesired operation.

Any changes or modifications not expressly approved by the party responsible for compliance could void the user's authority to operate the equipment.

## Safety Notes

Read all the following safety notes before working with this product. These notes contain important information about the installation, usage, and maintenance of this product.



**This product contains no user-serviceable parts. Any reference to servicing in this User Manual will only apply to properly trained, certified technicians. Do not open the housing or attempt any repairs.**



**All applicable local codes and regulations apply to proper installation of this product.**

## Personal Safety

- Avoid direct eye exposure to the light source while the product is on.
- Always disconnect the product from the power source before cleaning.
- Always connect the product to a grounded circuit to avoid the risk of electrocution.
- Do not touch the product's housing when operating because it may be very hot.

## Mounting and Rigging

- The luminaire is intended for professional use only.
- The product should be positioned so that prolonged staring into it at a distance closer than 3.3 ft (1 m) is not expected.
- Do not submerge this product (IP66). Temporary outdoor operation is fine.
- When using this product in an outdoor environment, use IP65 (or higher) rated power and data cables. Secure unused power and data ports with attached IP65 covers.
- CAUTION: When transferring product from extreme temperature environments, (e.g., cold truck to warm, humid ballroom) condensation may form on the internal electronics of the product. To avoid causing a failure, allow product to fully acclimate to the surrounding environment before connecting it to power.
- Not for permanent outdoor installation in locations with extreme environmental conditions. This includes, but is not limited to:
  - Exposure to a marine/saline environment (within 3 miles of a saltwater body of water).
  - Locations where the normal high or low temperatures exceed the temperature ranges in this manual.
  - Locations that are prone to flooding or being buried in snow.
  - Areas where the product will be subjected to extreme radiation or caustic substances.
- Mount this product in a location with adequate ventilation, at least 20 in (50 cm) from adjacent surfaces.
- Make sure there are no flammable materials close to the product when operating.
- When hanging this product, always secure to a fastening device using a safety cable.

## Power and Wiring

- Make sure the power cord is not crimped or damaged.
- Always make sure you are connecting this product to the proper voltage in accordance with the specifications in this manual or on the product's specification label.
- To eliminate unnecessary wear and improve its lifespan, during periods of non-use completely disconnect the product from power via breaker or by unplugging it.
- Never connect this product to a dimmer pack or rheostat.
- Make sure to replace the fuse with another of the same type and rating.
- Never disconnect this product by pulling or tugging on the power cable.
- If the external flexible cable or cord of this product is damaged, it shall be replaced with a special cable or cord exclusively available from the manufacturer or its service agent.
- The light source contained in this luminaire shall only be replaced by the manufacturer, its service agent, or a similarly qualified person.

## Operation

- Do not operate this product if there is damage on the housing, lenses, or cables. Have the damaged parts replaced by an authorized technician at once.
- Do not cover the ventilation slots when operating to avoid internal overheating.
- The startup temperature range is -4 °F to 113 °F (-20 °C to 45 °C).
- The operating temperature range is -40 °F to 113 °F (-40 °C to 45 °C).
- The storage temperature range is -40 °F to 167 °F (-40 °C to 75 °C).
- Do not start, operate, or store the product outside of the above temperature ranges.
- In the event of a serious operation problem, stop using this product immediately!



**If your Chauvet product requires service, contact Chauvet Technical Support.**

## Expected LED Lifespan

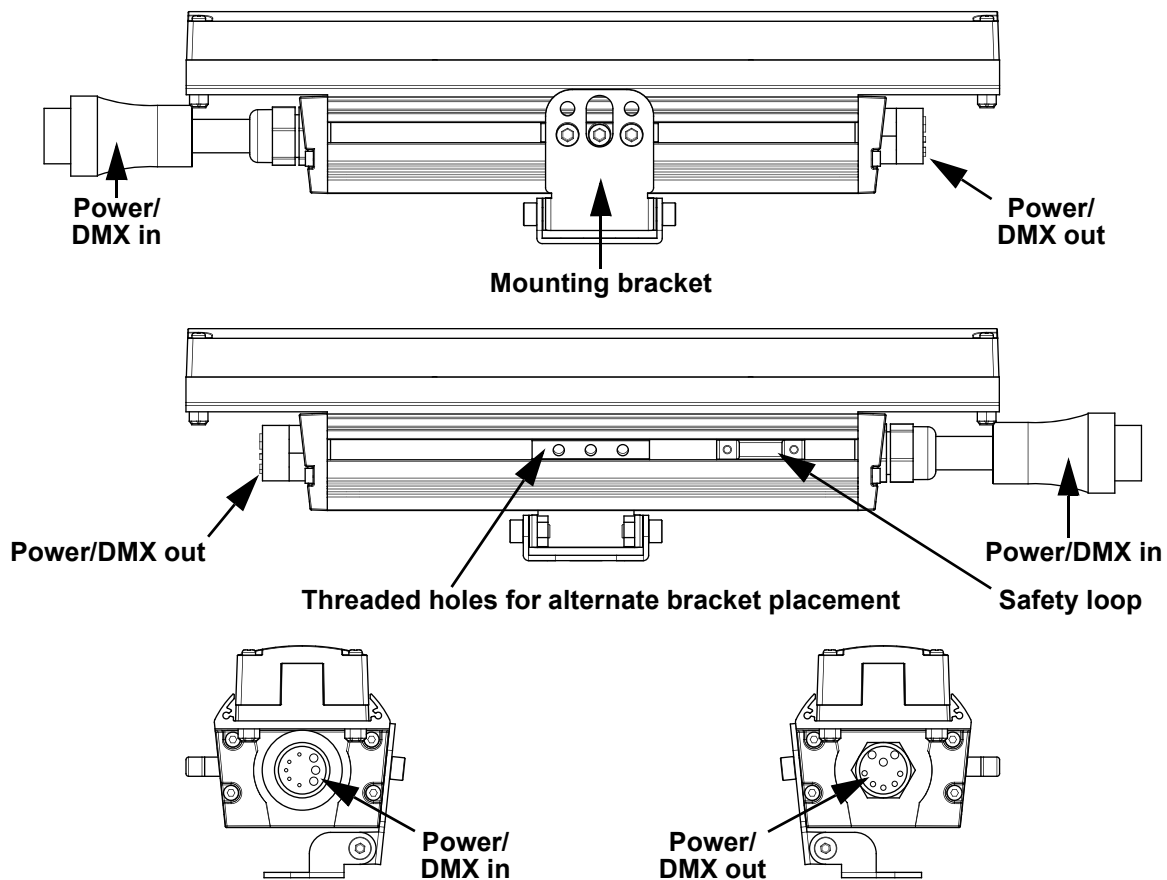
Over time, use and heat will gradually reduce LED brightness. Clustered LEDs produce more heat than single LEDs, contributing to shorter lifespans if always used at full intensity. The average LED lifespan is 40,000 to 50,000 hours. To extend LED lifespan, maintain proper ventilation around the product, and limit the overall intensity.

## 2. Introduction

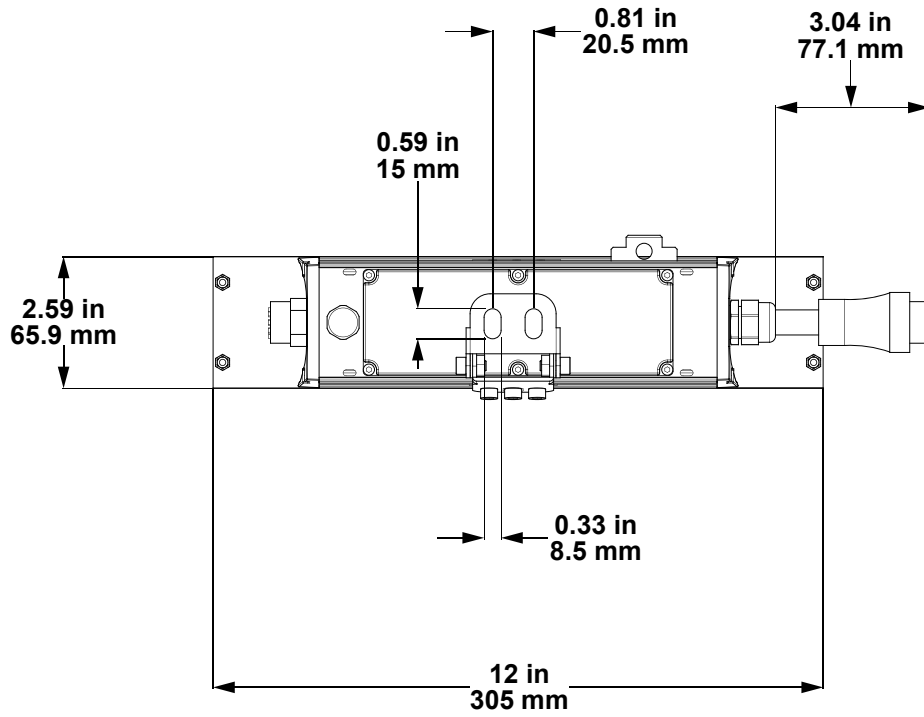
### Description

The Ilumiline SL is an outdoor-rated linear batten with a sleek, low profile and RGBL color mixing. It features plug-and-play installation with an optical system that delivers stunning, fully-mixed colors. The one-foot version is perfect for fitting into available space, while interchangeable, easy-to-install beam spread filters to help the fixture adapt to various applications and throw distances. Additionally, the lime emitter allows the Ilumiline SL to create not only brilliant, saturated colors, but crisp and clear whites to beautify any building, for any weather conditions.

### Product Overview



Product Dimensions





## 3. Setup

### AC Power

The Ilumiline SL has an auto-ranging power supply and it can work with an input voltage range of 100 to 277 VAC, 50/60 Hz.

To determine the product's power requirements (circuit breaker, power outlet, and wiring), use the current value listed on the label affixed to the product's back panel, or refer to the product's specifications chart. The listed current rating indicates the product's average current draw under normal conditions.



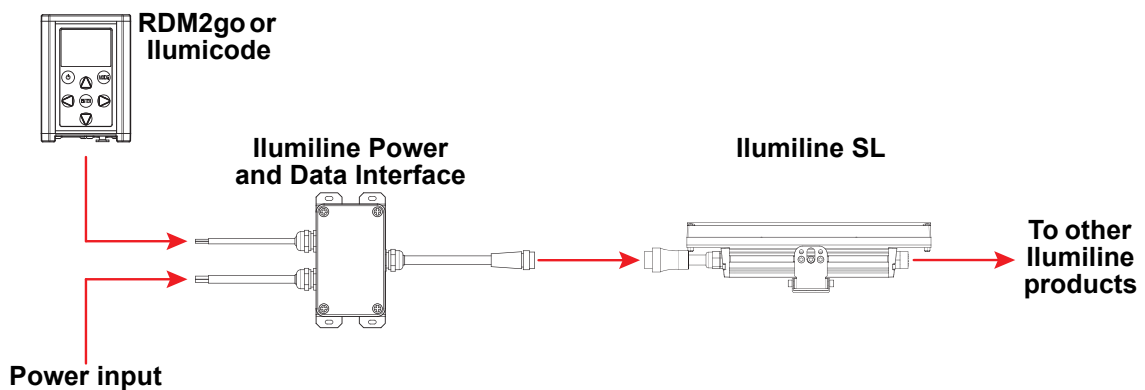
- **Always connect the product to a protected circuit (a circuit breaker or fuse). Make sure the product has an appropriate electrical ground to avoid the risk of electrocution or fire.**
- **To eliminate unnecessary wear and improve its lifespan, during periods of non-use completely disconnect the product from power via breaker or by unplugging it.**
- **Use only proprietary IP66 waterproof cables and secure unused ports with attached IP66 covers.**



**Never connect the product to a rheostat (variable resistor) or dimmer circuit, even if the rheostat or dimmer channel serves only as a 0 to 100% switch.**

### Ilumiline Power and Data Interface

The Ilumiline Power and Data Interface (sold separately) combines power and data into 1 cable. Download the QRG for the Ilumiline Power and Data Interface from [www.iluminarc.com](http://www.iluminarc.com) for more details.



### AC Plug

The Ilumiline Power and Data Interface (sold separately) comes with a bare-ended power input cord. Use the table below to wire a plug.

Connection	Wire (U.S.)	Wire (Europe)	Screw Color
AC Live	Black	Brown	Yellow or Brass
AC Neutral	White	Blue	Silver
AC Ground	Green/Yellow	Green/Yellow	Green

### Power Linking

The product supports power linking. It is possible to power link up to 36 products at 100 V, up to 40 products at 120 V, up to 57 products at 208 V, up to 66 products at 230 V, up to 66 products at 240 V, or up to 72 products at 277 V.

Proprietary 2-in-1 power and data linking cables are available from Iluminarc for purchase.



- **Observe a maximum of 15 m distance between units that are to be interconnected.**
- **To eliminate unnecessary wear and improve its lifespan, during periods of non-use completely disconnect the product from power via breaker or by unplugging it.**
- **Use only proprietary IP66 waterproof cables and secure unused ports with attached IP66 covers.**

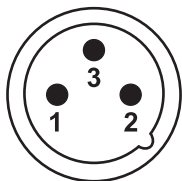
## DMX Linking

The Ilumiline SL will work with a DMX controller using a standard DMX serial connection. A DMX Primer is available from [www.iluminarc.com](http://www.iluminarc.com).

### DMX Connection

The Ilumiline Power and Data Interface (sold separately) provides a DMX-512 connection using bare-ended IP66-rated signal cable. This cable comes connected to the product.

#### DMX Output



1. Ground
2. Data -
3. Data +

#### Signal Connector



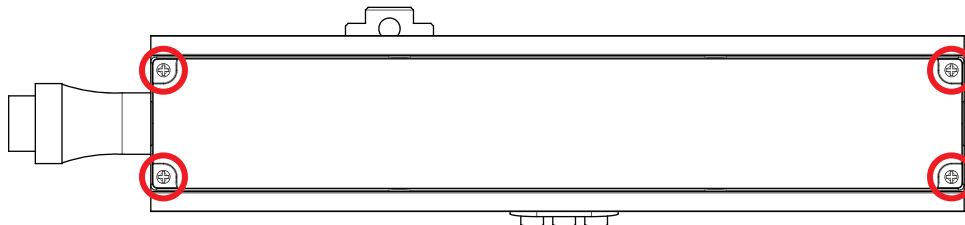
1. Ground (black clip)
2. Data - (green clip)
3. Data + (red clip)

## Remote Device Management (RDM)

Remote Device Management, or RDM, is a standard for allowing DMX-enabled devices to communicate bi-directionally along existing DMX cabling. Check the DMX controller's User Manual or with the manufacturer as not all DMX controllers have this capability. The Ilumiline SL supports RDM protocol that allows feedback to make changes to menu map options.

## Beam Shaping Filters

The Ilumiline SL can be used with the Medium, Wide, Very Wide, or Asymmetrical beam-shaping filters (sold separately).



To change the filter:

1. Detach the filter retainer lid by removing the 4 screws attaching it to the fixture.
2. Place the beam-shaping filter on top of the lenses. Ensure the glossy side of the filter is facing OUT.
3. Place back the filter retainer lid on top of the beam-shaping filter.
4. Screw the filter and the retainer lid back in place.

## Mounting

Before mounting the product, read and follow the safety recommendations indicated in the Safety Notes.

### Orientation

Always mount this product in a safe position, making sure there is adequate room for ventilation, configuration, and maintenance.

### Rigging

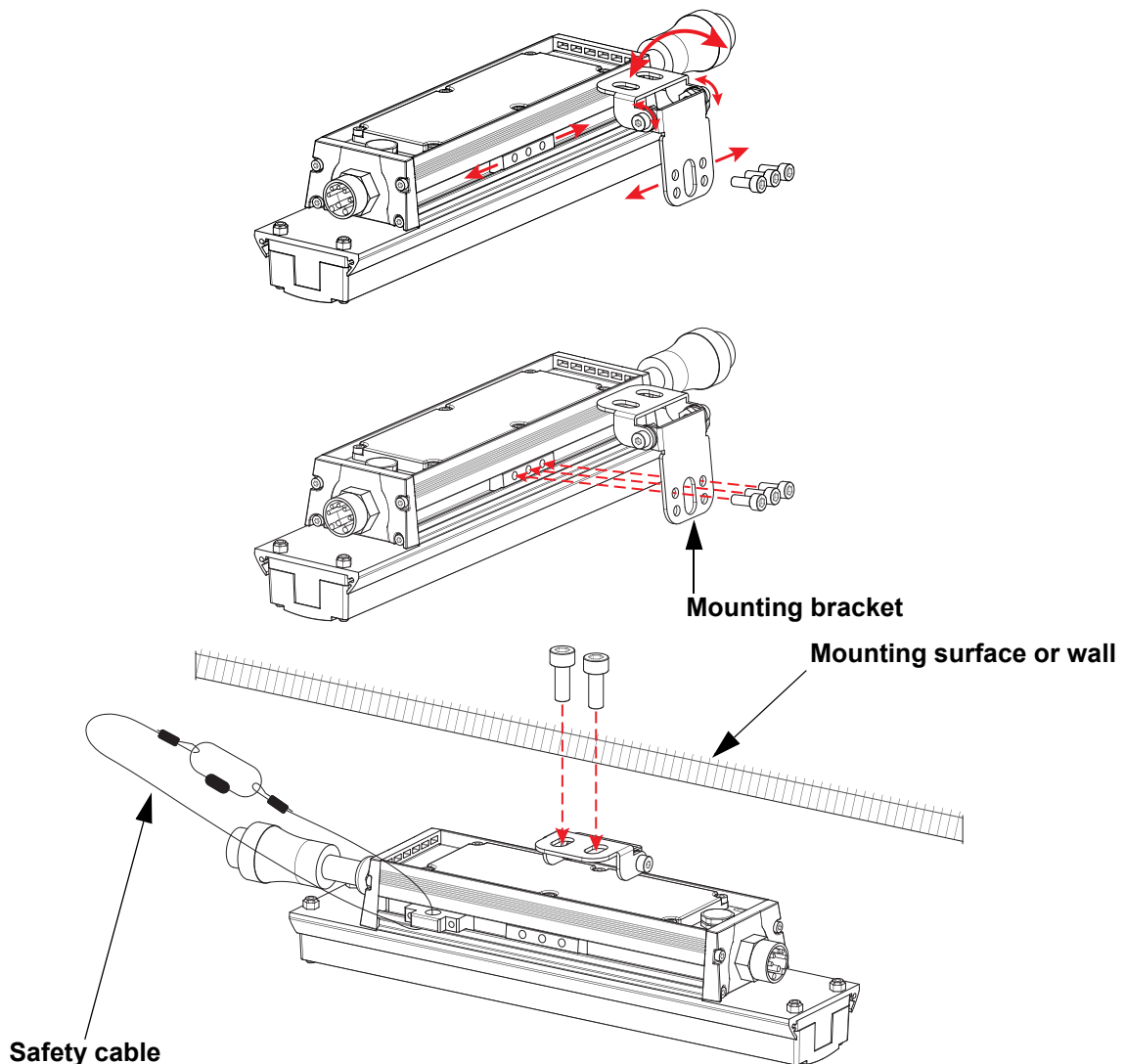
Chauvet recommends using the following general guidelines when mounting this product.

- Before deciding on a location for the product, make sure there is easy access to the product for maintenance and programming purposes.
- Make sure that the structure onto which you are mounting the product can support the product's weight. See the [Technical Specifications](#) for weight information.
- When mounting the product overhead, always use a safety cable. Mount the product securely to a rigging point, whether an elevated platform or a truss.
- When rigging the product onto a truss, use hardware of appropriate weight capacity.

### Procedure

The Ilumiline SL comes with two adjustable brackets which can be secured directly to a mounting surface. Make sure the mounting surface and hardware are capable of supporting the weight of this product. Use at least two mounting points per product.

### Mounting Diagram



## 4. Operation

### Illumicode/RDM2go Control

The Illumiline SL requires an external controller, such as the RDM2go (from Chauvet Professional) to change its configuration.

### Menu Map

Refer to the Illumiline SL product page on [www.iluminarc.com](http://www.iluminarc.com) for the latest menu map.

The Illumicode section of the RDM2go (from Chauvet Professional) is required to access the full menu of options. For more information, download the RDM2go User Manual from [www.chauvetprofessional.com](http://www.chauvetprofessional.com).

Main Level	Programming Levels		Description	
STATIC	RED	000–255	Configures the static color and effect	
	GREEN			
	BLUE			
	COOL			
	SOLID			
	STROBE			
DIMMER	OFF		Dimmer works in linear mode	
	DIM1–4		Dimmer works in non-linear mode, from fastest ( <b>DIM1</b> ) to slowest ( <b>DIM4</b> )	
CALIB	WHITE 1–11	RED	000–255	Determines the white balance for the color macros
		GREEN		
		BLUE		
		COOL		
	RGBTOW	RED		Determines the white balance when RGBTOW is active
		GREEN		
		BLUE		
		COOL		
PERSON	ARC1		3-channel: RGB control	
	ARC1+D		4-channel: dimmer, RGB control	
	ARC2		4-channel: RGBL control	
	ARC2+D		5-channel: dimmer, RGBL control	
	ARC FULL		8-channel: dimmer, RGB control, preset color, color temperature, strobe, dimmer speed	
	SOLID		1-channel: LED control	
	SPECIAL1		7-channel: dimmer, strobe, dimmer speed, RGBL control	
	SPECIAL2		9-channel: dimmer, RGBL control, preset color, color temperature, strobe, dimmer speed	
DMX	001–512		Selects DMX address (highest channel restricted to personality chosen)	
UC-CALIB	RED	000–255	Universal color calibration	
	GREEN			
	BLUE			
SETTINGS	COLOR	OFF	Maximum output, unbalanced white	
		RGBTOW	White output is determined by the <b>CALIB &gt; RGBTOW</b> settings	
	RESET	UC	Output matches that of product's previous versions	
		NO YES	Resets unit to factory default settings	

## Configuration (DMX)

Use control configurations to operate the product with a DMX controller.

### Control Personalities

To set the control personality:

1. Go to the **PERSON** main level.
2. Select the desired personality, from **ARC1**, **ARC1+D**, **ARC2**, **ARC2+D**, **ARC FULL**, **SOLID**, **SPECIAL1**, or **SPECIAL2**.
  - See the [Starting Address](#) section for the highest starting address you can select for each personality.
  - Make sure that the starting addresses on the various products do not overlap due to the new personality setting.



### Starting Address

Each product will respond to a unique starting address from the controller. All products with the same starting address will respond in unison. To set the starting address:

1. Go to the **DMX** main level.
2. Select the starting address (**001–512**).

Personality	Channels	Highest Starting Address
<b>ARC1</b>	<b>3</b>	<b>510</b>
<b>ARC1+D</b>	<b>4</b>	<b>509</b>
<b>ARC2</b>	<b>4</b>	<b>509</b>
<b>ARC2+D</b>	<b>5</b>	<b>508</b>
<b>ARC FULL</b>	<b>8</b>	<b>505</b>
<b>SOLID</b>	<b>1</b>	<b>512</b>
<b>SPECIAL1</b>	<b>7</b>	<b>506</b>
<b>SPECIAL2</b>	<b>9</b>	<b>504</b>

## Control Channel Assignments and Values

### Preset Color Chart

DMX Value	Preset Color	DMX Value	Preset Color
000 ⇔ 010	No function	121 ⇔ 140	Steel green
011 ⇔ 020	Light salmon	141 ⇔ 145	Steel blue
021 ⇔ 025	Scarlet	146 ⇔ 150	Special steel blue
026 ⇔ 030	Flame red	151 ⇔ 160	New color blue
031 ⇔ 045	Dark salmon	161 ⇔ 165	Dark steel blue
046 ⇔ 050	Sunset red	166 ⇔ 185	Pale violet
051 ⇔ 060	CID (to tungsten)	186 ⇔ 200	Pretty 'n pink
061 ⇔ 065	Soft golden amber	201 ⇔ 205	Follies pink
066 ⇔ 070	Urban sodium	206 ⇔ 220	Smokey pink
071 ⇔ 080	Lee yellow	221 ⇔ 225	Flesh pink
081 ⇔ 085	Ice and a slice	226 ⇔ 240	Pink
086 ⇔ 110	Dark yellow green	241 ⇔ 255	Cherry rose
111 ⇔ 120	Turquoise		

### Color Temperature Chart

DMX Value	Color Temperature	DMX Value	Color Temperature
000 ⇔ 009	No function	101 ⇔ 114	4501–4999K
010	1800K	115	5000K
011 ⇔ 024	1801–2199K	116 ⇔ 129	5001–5599K
025	2200K	130	5600K
026 ⇔ 039	2201–2699K	131 ⇔ 144	5601–5999K
040	2700K	145	6000K
041 ⇔ 054	2701–2999K	146 ⇔ 159	6001–6499K
055	3000K	160	6500K
056 ⇔ 069	3001–3199K	161 ⇔ 174	6501–6999K
070	3200K	175	7000K
071 ⇔ 084	3201–3999K	176 ⇔ 189	7001–7999K
085	4000K	190	8000K
086 ⇔ 099	4001–4499K	191 ⇔ 204	8001–9999K
100	4500K	205 ⇔ 255	10000K

**ARC**

1	1+D	2	2+D	FULL	Function	Value	Percent/Setting
-	1	-	1	1	Dimmer	000 ⇔ 255	0–100%
1	2	1	2	2	Red	000 ⇔ 255	0–100%
2	3	2	3	3	Green	000 ⇔ 255	0–100%
3	4	3	4	4	Blue	000 ⇔ 255	0–100%
-	-	4	5	-	Lime	000 ⇔ 255	0–100%
-	-	-	-	5	Preset color	000 ⇔ 255	See the <a href="#">Preset Color Chart</a>
-	-	-	-	6	Color temperature	000 ⇔ 255	See the <a href="#">Color Temperature Chart</a>
-	-	-	-	7	Strobe	000 ⇔ 009 010 ⇔ 255	No function Strobe, 1–25 Hz
-	-	-	-	8	Dimmer speed	000 ⇔ 009 010 ⇔ 029 030 ⇔ 069 070 ⇔ 129 130 ⇔ 189 190 ⇔ 255	No function Dimmer speed OFF Dimmer speed 1 (fastest) Dimmer speed 2 Dimmer speed 3 Dimmer speed 4 (slowest)

**SOLID**

Channel	Function	Value	Percent/Setting
1	Dimmer	000 ⇔ 255	All LEDs (0–100%)

**SPECIAL1 / SPECIAL2**

1	2	Function	Value	Percent/Setting
1	1	Dimmer	000 ⇔ 255	0–100%
-	2	Red	000 ⇔ 255	0–100%
-	3	Green	000 ⇔ 255	0–100%
-	4	Blue	000 ⇔ 255	0–100%
-	5	Lime	000 ⇔ 255	0–100%
-	6	Preset color	000 ⇔ 255	See the <a href="#">Preset Color Chart</a>
-	7	Color temperature	000 ⇔ 255	See the <a href="#">Color Temperature Chart</a>
2	8	Strobe	000 ⇔ 009 010 ⇔ 255	No function Strobe, 1–25 Hz
3	9	Dimmer speed	000 ⇔ 009 010 ⇔ 029 030 ⇔ 069 070 ⇔ 129 130 ⇔ 189 190 ⇔ 255	No function Dimmer speed OFF Dimmer speed 1 (fastest) Dimmer speed 2 Dimmer speed 3 Dimmer speed 4 (slowest)
4	-	Red	000 ⇔ 255	0–100%
5	-	Green	000 ⇔ 255	0–100%
6	-	Blue	000 ⇔ 255	0–100%
7	-	Lime	000 ⇔ 255	0–100%

## Configuration (Static Mode)

To set the Ilumiline SL to operate in a static or strobing color without DMX:

1. Go to the **STATIC** main level.
2. Select the parameter to configure, from
  - **RED**,
  - **GREEN**,
  - **BLUE**,
  - **COOL** (lime),
  - **SOLID** (no function), or
  - **STROBE**
3. Set the selected parameter to the desired level, from **000–255**.
4. Repeat until the static mode is set as desired.

## Configuration (Settings)

### Dimmer Speed

To set the dimmer speed:

1. Go to the **DIMMER** main level.
2. Select the dimmer speed from **OFF** (linear dimmer), **DIM1** (fastest), **DIM2**, **DIM3**, or **DIM4** (slowest).

### Color Calibration

There are 4 color calibration options for the Ilumiline SL: **OFF** (maximum output/unbalanced white), **RGBTOW** (quad-color calibration), **UC** (“universal”, tri-color calibration to match legacy products), and the color macro **WHITE 1–11** settings.

To select the color calibration mode:

1. Go to the **SETTINGS** main level.
2. Select the **COLOR** option.
3. Select the calibration mode, from **OFF**, **RGBTOW**, or **UC**.

### Color Macro White Balance

To adjust the color macro white balances:

1. Go to the **CALIB** main level.
2. Select the macro to adjust, from **WHITE 1–11**.
3. Select the color level to adjust, from **RED**, **GREEN**, **BLUE**, or **COOL** (lime).
4. Set the level of the selected color, from **000–255**.
5. Repeat until the white balances are set as desired.

### RGBTOW Mode

To adjust the color calibration in **RGBTOW** mode:

1. Go to the **CALIB** main level.
2. Select the **RGBTOW** option.
3. Select the color level to adjust, from **RED**, **GREEN**, **BLUE**, or **COOL** (lime).
4. Set the level of the selected color, from **000–255**.
5. Repeat until the calibration is set as desired.

### Universal Calibration

To adjust the color calibration in **UC** mode:

1. Go to the **UC-CALIB** main level.
2. Select the color level to adjust, from **RED**, **GREEN**, or **BLUE**.
3. Set the level of the selected color, from **000–255**.
4. Repeat until the calibration is set as desired.

### Factory Reset

To reset the product to factory default settings:

1. Go to the **SETTINGS** main level.
2. Select the **RESET** option.
3. Select from **NO** (cancel) or **YES** (reset).



## 5. Maintenance

### Product Maintenance

Dust build-up reduces light output performance and can cause overheating. This can lead to reduction of the light source's life and/or mechanical wear. To maintain optimum performance and minimize wear, clean your lighting products at least twice a month. However, be aware that usage and environmental conditions could be contributing factors to increase the cleaning frequency.

To clean the product, follow the instructions below:

1. Unplug the product from power.
2. Wait until the product is at room temperature.
3. Use a vacuum (or dry compressed air) and a soft brush to remove dust collected on the external surface/vents.
4. Clean all transparent surfaces with a mild soap solution, ammonia-free glass cleaner, or isopropyl alcohol.
5. Apply the solution directly to a soft, lint free cotton cloth or a lens cleaning tissue.
6. Softly drag any dirt or grime to the outside of the transparent surface.
7. Gently polish the transparent surfaces until they are free of haze and lint.



**Always dry the transparent surfaces carefully after cleaning them.**

## 6. Technical Specifications

### Dimensions and Weight

Length	Width	Height	Weight
12 in (305 mm)	3.03 in (77 mm)	3.43 in (87 mm)	2.65 lb (1.2 kg)

**Note:** Dimensions in inches are rounded.

### Power

Power Supply Type	Range	Voltage Selection
Switching (internal)	100 to 277 VAC, 50/60 Hz	Auto-ranging

Parameter	100 V, PF: 97	120 V, PF: 94	208 V, PF: 83	230 V, PF: 78	240 V, PF: 74	277 V, PF: 71
Consumption	21 W	23 W	21 W	22 W	22 W	21 W
Operating Current	0.222 A	0.200 A	0.137 A	0.118 A	0.117 A	0.113 A
Power Linking	46 products	52 products	75 products	88 products	88 products	92 products

Power I/O	U.S./Worldwide	UK/Europe
Power Input Connector	Proprietary 2-in-1	Proprietary 2-in-1
Power Output Connector	Proprietary 2-in-1	Proprietary 2-in-1

Power Connection	Recommended Cable	Total Max Cable Length	Connector Max Diameter
3.7 ft (1.13 m) hardware to proprietary waterproof cable	Power and data interface (14 AWG)	262 ft (80 m) from interface to final product	1.18 in (30 mm)

### Light Source

Type	Color	Quantity	Power	Current	Lifespan
LED	Quad-color RGBL	9	3.5 W	200 mA	50,000 hours

### Photometrics

Parameter	Installed Optics	Medium Filter	Wide Filter	Very Wide Filter	Asymmetrical Filter
Beam Angle	14.5°	24.1°	36°	38.1°	39.9° x 19.4°
Field Angle	30°	52.3°	116.2°	128.1°	79.6° x 47.6°
Cutoff Angle	49.6°	91.9°	158.6°	169.7°	114.2° x 158.8°
Illuminance	251 lux	82 lux	31 lux	25 lux	58 lux

### Thermal

Startup Temperature Range	Operating Temperature Range	Cooling System
-4 °F–113 °F (-20 °C–45 °C)	-40 °F–113 °F (-40 °C–45 °C)	Convection

### Hazard Ratings

Impact Resistance Rating	Vibration Rating	Wind Load Rating
IK10	3G	237 ft <sup>2</sup>

### DMX

I/O Connector	Channel Range
Proprietary 2-in-1	1, 3, 4, 4, 5, 8, or 9

### Ordering

Product Name	Item Name	Item Code	UPC Number
Illumiline SL	ILUMILINESL	01611633	781462219819



## Returns

Send the product prepaid, in the original box, and with the original packing and accessories. Illuminarc will not issue call tags.

Call Illuminarc and request a Return Merchandise Authorization (RMA) number before shipping the product. Be prepared to provide the model number, serial number, and a brief description of the cause(s) for the return.

To submit a service request online, go to [www.chauvetprofessional.com/service-request](http://www.chauvetprofessional.com/service-request).

Clearly label the package with an RMA number. Illuminarc will refuse any product returned without an RMA number.



**Write the RMA number on a properly affixed label. DO NOT write the RMA number directly on the box.**

Before sending the product, clearly write the following information on a piece of paper and place it inside the box:

- Your name
- Your address
- Your phone number
- RMA number
- A brief description of the problem

Be sure to pack the product properly. Any shipping damage resulting from inadequate packaging will be your responsibility. FedEx packing or double-boxing are recommended.



**Illuminarc reserves the right to use its own discretion to repair or replace returned product(s).**

## Contact Us

General Information	Technical Support
<b>Chauvet World Headquarters</b>	
Address: 3360 Davie Rd. Davie, FL 33314 Voice: (954) 577-4455 Fax: (954) 929-5560 Toll Free: (800) 762-1084	Voice: (844) 393-7575 Fax: (954) 756-8015 Email: <a href="mailto:support@iluminarc.com">support@iluminarc.com</a> Website: <a href="http://www.iluminarc.com">www.iluminarc.com</a>
<b>Chauvet U.K.</b>	
Address: Unit 1C Brookhill Road Industrial Estate Pinxton, Nottingham, UK NG16 6NT Voice: +44 (0) 1773 511115 Fax: +44 (0) 1773 511110	Email: <a href="mailto:UKtech@chauvetlighting.eu">UKtech@chauvetlighting.eu</a> Website: <a href="http://www.iluminarc.com">www.iluminarc.com</a>
<b>Chauvet Benelux</b>	
Address: Stokstraat 18 9770 Kruishoutem Belgium Voice: +32 9 388 93 97	Email: <a href="mailto:BNLtech@chauvetlighting.eu">BNLtech@chauvetlighting.eu</a> Website: <a href="http://www.iluminarc.com">www.iluminarc.com</a>
<b>Chauvet France</b>	
Address: 3, Rue Ampère 91380 Chilly-Mazarin France Voice: +33 1 78 85 33 59	Email: <a href="mailto:FRtech@chauvetlighting.fr">FRtech@chauvetlighting.fr</a> Website: <a href="http://www.iluminarc.com">www.iluminarc.com</a>
<b>Chauvet Germany</b>	
Address: Bruno-Bürgel-Str. 11 28759 Bremen Germany Voice: +49 421 62 60 20	Email: <a href="mailto:DEtech@chauvetlighting.de">DEtech@chauvetlighting.de</a> Website: <a href="http://www.iluminarc.com">www.iluminarc.com</a>
<b>Chauvet Mexico</b>	
Address: Av. de las Partidas 34 - 3B (Entrance by Calle 2) Zona Industrial Lerma Lerma, Edo. de México, CP 52000 Voice: +52 (728) 690-2010	Email: <a href="mailto:servicio@chauvet.com.mx">servicio@chauvet.com.mx</a> Website: <a href="http://www.iluminarc.com">www.iluminarc.com</a>

Visit the applicable website above to verify our contact information and instructions to request support. Outside the U.S., U.K., Ireland, Benelux, France, Germany, or Mexico, contact the dealer of record.