



Spec Sheet

IG2T

2-Way Active Speaker
2x8" / 1", 400W RMS **Digipro G3**



Applications

- Compact live sound reinforcement system
- Permanent installation in theatres, houses of worship, convention centres
- Portable PA, retail, clubs, ballrooms, houses of worship, corporate AV, live theatres

Features

- 2-Way Active Speaker
- 2x8" woofer; 1" compression driver
- 400W RMS Class-D Digipro® G3 amplifier
- Asymmetrical Vertical Coverage
- Digital Steering Coverage
- Element Position Detection
- Speakers with neodymium magnet
- User-friendly interface (OLED-encoder)
- Unique Speaker Lock System
- Delay on Board
- Microphone HPF and Notch Filter (variable freq)

Description

INGENIA is a new range of portable speakers, modular, flyable, with a user-friendly interface, able to automatically sets up to ensure best coverage, acoustic coherence and high sound pressure. It consists of four models: IG1T, 2T, 3T and 4T with different transducer configurations (all with neodymium magnets) and powers. The IG2T features 2x8" woofers, a 1" compr. driver and is equipped with a 400W RMS Digipro® G3 digital amplifier, which combines high power, lightweight design, SMPS technology with PSU auto-range and a remarkably efficiency.

The horn of the IG2T is horizontally symmetric and vertically asymmetric (narrower in the upper part and wider in the lower). This is because this speaker is designed to work in single or stacked configuration with

the two horns coupled one against the other by overturning the upper unit on the lower one. The mechanical design of the waveguide, furthermore, is supported by a sophisticated processing in order to steer coverage according to the presence or not of a second speaker stacked. The DSP doesn't act only on the compression driver, but also on woofers, ensuring maximum intelligibility and transparency in the whole frequency range.

The IG2T is equipped with an infrared system in the two handles on top and bottom sides. When a second INGENIA unit in stacked on another, there is a quick exchange of information between the two DSPs, which auto setup to operate as a single speaker. This infrared detection system does not suffer the presence of sunlight.

The advanced interface always guides the user and automatically sets up the system by managing mixer, power amplifier, EQs, levels as well as all input devices. A variety of preset configurations are available. The OLED display, visible even in the sunlight and equipped with a self-rotation device, provides all the necessary information to the total system control. All editing operations are carried out through a single rotary encoder with switch.

The locking system of the INGENIA is extremely rugged and reliable. Moreover, to ensure the speakers to be perfectly aligned before locking the clamps, there are some feet and recessions on the top and the bottom of the enclosure.

A new fly-bar, adaptable to all INGENIA models, allows the user to hang up two speakers in vertical array. Then the user will choose the appropriate processing preset and get a real line-array system. The housing is made of reinforced polypropylene with a very elegant look and a finishing almost like a painting. Internally, there is an aluminium reinforcing structure that, in addition to dampen vibration and improve the acoustic characteristics of the speaker, makes it much more tough.

IG2T

Technical Specifications

Technical Data

Speaker Type	2-Way Active Speaker
--------------	----------------------

Acoustical data

Frequency Response [- 10dB]	59- 20.000 Hz
Frequency Response [- 6dB]	63- 19.200 Hz
Max SPL	128 dB
HF	1", 1.4" v.c.
Directivity (HxV)	100 x 80° (+15°/- 65°)
HF Type	Neodymium compression driver
Horn	Vertical asymmetric
Crossover Frequency	1900 Hz
LF	2x8", 2" v.c.
LF Type	Neodymium

Amplifier

Amp Technology	Class-D, Digipro® G3
RMS Power	400 Watt
Peak Power	800 Watt

Processor

Controller	DSP 56 bit
AD/DA converter	24bit/48kHz
Limiter	Peak, Thermal Limiter

Rear Panel

User Interface	OLED display + rotative knob w/switch
Signal Input	1 x Combo IN (XLR + Jack 6.3mm)
Signal Out	1 x XLR link OUT
Service Port	Mini USB
Mains Connector	New Neutrik® NAC3PX

Features

Positioning	Self-rotating display Accelerometer Infrared Communication and Display Mirroring
Digital Steering	+10°/+5°/0°/-5°/-10°
EQ	Acoustic Correction (Lo/Hi Shelving, Mid Attenuation) HPF and Sub Matching (70Hz - 120Hz, Step 5Hz) Microphone HPF and Notch Filter (Variable Freq.)
Delay On Board	15 Meters (Stage Alignment) +43.7m (System Delay).

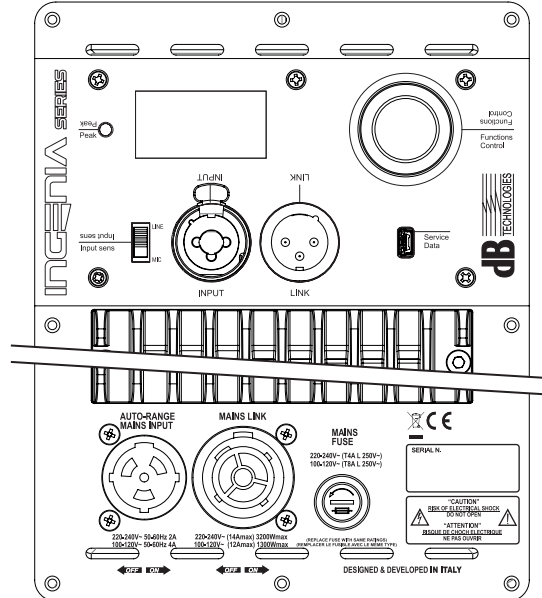
Mechanics

Housing	Polypropylene PP reinforced
Grille	FULL/Invisible screws
Flyable	Yes
Handles	1x on top / 1x on bottom
Pole Mount	Standard D36mm
Width	228 mm (8.98 in)
Height	646 mm (25.43 in)
Depth	315 mm (12.40 in)
Weight	12.8Kg (28.22 lbs.)

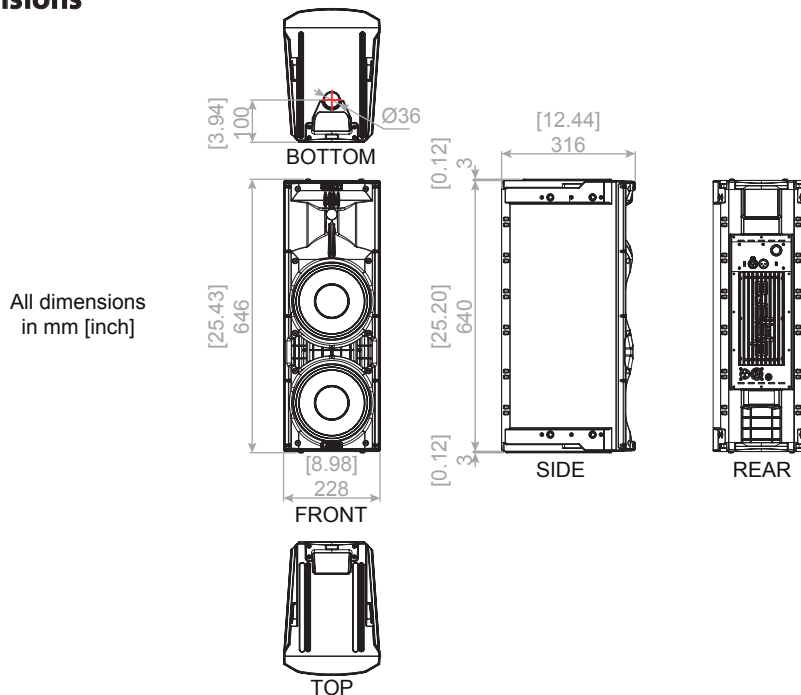
IG2T

Technical Specifications

Rear Panel



Overall Dimensions



Accessories

DRK-IG	Flybar for INGENIA Series
GSA-IG	Ground stacking adapter for INGENIA Series and SUBs
LP-IG	Link bracket for INGENIA Series. Sold in pairs
RC-M1	Magnetic rain cover for INGENIA Series
WB-IG2	Wall bracket for IG2T. It can be used for wall mounting, either vertically (1 or 2 coupled speakers) or horizontally (only 1 speaker)

info@dbtechnologies-aeb.com www.dbtechnologies.com

dBTechnologies products are continually improved. All specifications are therefore subject to change without notice.