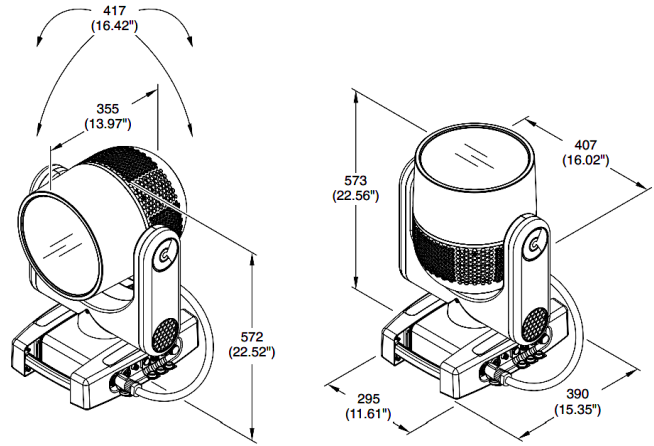


MODEL: HY B-EYE K15 AQUA

CODE: CL3030

January 31, 2025



LIGHT SOURCE:

- Source type:** • RGBW LEDs
 - Power:** • 40W (x19)
 - Color temperature:** • 2400 to 9500 K
 - CRI:** • Up to 70
 - LED life expectancy:** • 50.000 hrs L70*
- * It may vary depending on various factors, such as the type of use and environment

PHOTOMETRIC DATA:

- Zoom range:** • 4.7 – 46°
- Lm output:** • 13500 Lm (integrating sphere)
- Optical syt.:** • Patented 19 lens system

NOISE LEVEL:

- Controlled by:** • Able to control linearly the speed of the fans
- Fixed presets:**
 - Silent Mode: 34,4 dBA
 - Standard Mode: 37,8 dBA
 - Full mode: 42,4 dBA

CONTROL & CONNECTIONS:

- Personalities:**
 - Basic engine: 21 / 22 / 35 / 36 / 37
 - Pixel engine: 57 / 76
- Protocols:** • DMX, Art-Net, sACN, RDM, CRMX lumen Radio
- Connectors:**
 - Locking 5 pin XLR IN/THRU
 - RJ45 IN
- Power con.:** • PowerCon True1 IN/OUT
- Web server:** • Built-in
- CloudIO:**
 - Fully compatible
 - On-field calibration for color consistency

DYNAMIC EFFECTS:

- Colors:**
 - Built-in macros with enhanced pixel control
 - Preset colors
 - Dedicated channel for color temperature setting
 - White CT Emulation 2500-8000K
 - RGBW auto-tuning to lamp CT Emulation
 - Tungsten Lamp Emulation
- Rotating effects:** • Bi-directional rotating front lenses
- Movement:**
 - Tilt: 220° (16 bit)
 - Pan: 540° (16 bit)
 - Automatic repositioning
 - Mechanical Pan/Tilt lock for safe transportation and maintenance
- Beam:** • Beam edge softening control (in wash mode)
- Dimmer / Shutter:**
 - 0-100% linear electronic dimmer
 - Adjustable speed stop/strobe effect with instantaneous blackout

- Slow strobe: 1 flash/sec
- Fast strobe: 25 flash/sec
- High resolution electronic dimmer – 24 bit, 4 curves

HARDWARE & SOFTWARE:

- Long life self-charging battery
- Display graphic LCD backlit B/W display
- Firmware upload from another fixture
- Firmware upgrade via Web Server
- Diagnostic
- DMX monitoring
- Remote access through RDM

HOUSING:

- Aluminium and steel structure with plastic covers
- Two side handles for transportation
- IP66 protection rate
- Working in any position
- Hanging system: with fast-lock Omega clamps (1/4) turn on the base
- Optional safety chain

ELECTRICAL:

- Operating voltage:** • 100-240V, 50/60 Hz
- Power Supply:** • Electronic auto range with active PFC
- MAX Power consumption:** • 680W

THERMAL SPECIFICATION:

- MAX Ambient temperature:** • 45°C (113°F)
- Min Ambient Temperature:** • -20°C (-4°F)
- MAX temp. of the ext. surface:** • 90°C (194°F)
- Total heat dissipation:** • 2596 BTU/hr ±10% / 2736 kJ/hr ±10%

SAFETY SPECIFICATIONS:

- Min. dist. of illum. objs:** • 0,2 m (8")
- Min. dist. from flamm. mat.:** • 0,2 m (8")
- Protections:**
- Thermally protected power supply (overheating and cooling failure)
 - 5x20 delayed fuse
 - Forced ventilation with axial fans

COMPLIANCE:

CE Marking (in conformity to the following):

- 2014/53/EU - Radio Equipment Directive (RED)
- 2011/65/EU - Restriction of the use of certain hazardous substances (RoHS)
- 2009/125/EC - EcoDesign requirements for Energy-related Products (ErP)

UKCA conforms to UK regulations:

- S.I. 2017 N.1206
- S.I. 2012 N.3032
- S.I. 2021 N.745

cMETus LISTED:

- UL1573
- CSA C22.2 N. 166:15

PACKAGING:

- Carton box + polystyrene
- Carton box + foam shell
- Flight case + foam shell (4 positions)

WEIGHT & SIZES:

- Weight:**
- 27,8 Kg
 - 61,3 lbs
- Base dim.s:**
- 295 x 390 mm
 - 11.61 x 15,35 in
- Height with vert. head (h):**
- 573 mm
 - 22,56 in
- Dist. b/t 2 fixt:** • 600 mm

ACCESSORIES:

- Omega bracket:** • 2x183102-805 (Included)
- ETL Power:** • CAB02B-802 (Included)*
* Cord 1.5 m (bare end with IP65 PowerConTrue1 conn.)
- Flight case (4 pos) + Foam shell:** • CF1026F (Optional)
- Foam shell:** • F21342-001 (Optional)
- Safety Chain:** • 105041-001 (Optional)
- Clamp:** • C21070 (Optional)