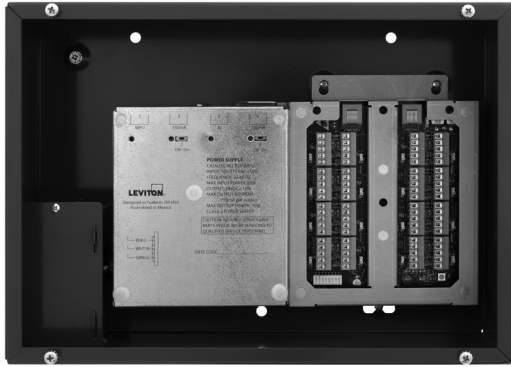


GreenMAX® Remote Low Voltage Input Cabinets



The Leviton GreenMAX® Remote Low Voltage Input Cabinets can be installed closer to the devices they serve (such as occupancy sensors, low voltage switches and photocells) to reduce wiring and labor and provide additional power; this also makes commissioning and troubleshooting easier. The GreenMAX System offers features and performance not available from any competing product on the market today.

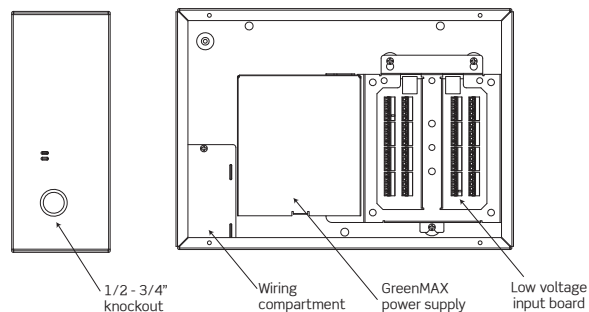
FEATURES

- Additional low voltage input points are available in quantities of 8 and 16
- Power supply input: 70W (max), 100-277VAC single phase input, 24VDC output
- Injects additional power into the LumaCan network
- The remote low voltage input cabinets utilize a CAT6 network cable to interconnect with the system and communicates via LumaCan
- CA Title 24 compliant and listed

APPLICATIONS

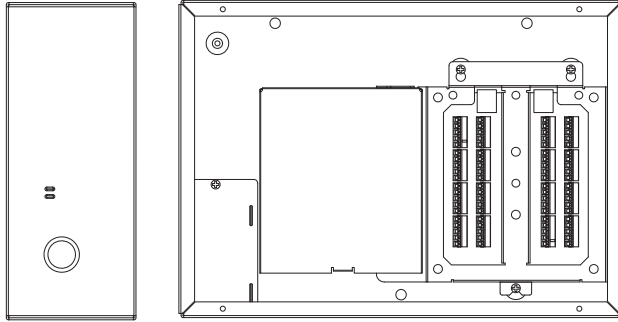
- Heavy retrofit applications
- New construction projects
- Government facilities
- Office buildings
- Hospitals/medical offices
- Universities
- Restaurants
- Large campuses
- Any location requiring daylight harvesting, demand response, partial- ON/partial-OFF sensor control and partial night outdoor lighting controls

CABINET DIAGRAM



PRODUCT DATA

DIMENSIONS



	WIDTH	HEIGHT	DEPTH
RLV08-308	14" (35.56cm)	10" (25.40cm)	4" (10.16cm)
RLV16-316	14" (35.56cm)	10" (25.40cm)	4" (10.15cm)

SPECIFICATIONS*

Electrical

- Power Supply Input: 70W (max), 100-277VAC single phase input, 24VDC output
- All Input Voltages: 50/60 Hz phase to neutral

Wiring

- Internal: factory pre-wired and tested
- System Communications:
 - LumaCAN requires standard CAT6 network cabling
 - Low voltage Class 2 wiring connects input cards to control devices such as occupancy sensors, low voltage switches, and photocells
- Line Voltage:
 - Requires single phase hot and neutral connection
- LumaCAN Network:
 - CAT6 cable
 - RJ45 connectors
 - Wiring configuration (EIA/TIA 568B)
- Power must be injected into LumaCAN cable every 900 feet
 - Use a remote low voltage cabinet or a relay cabinet

Physical

- Enclosure: NEMA type 1, IP-20 protection; #16 US gauge steel; indoors only
- Mounting: surface or flush mount

Environmental

- Ambient Temperature Range: 32-122°F (0-50°C)
- Relative Humidity: <90% non-condensing

Listings

- UL508, UL924, cUL, CA Title 24 compliant and listed, IECC compliant, ASHRAE 90.1 compliant

Warranty

- Remote low voltage input cabinets backed by 2-year warranty

*ARRA compliant panels available - consult factory for availability

ORDERING INFORMATION

CAT. NO.	DESCRIPTION
Remote Low Voltage Input Cabinets with Power Supply (all cabinet power supplies are rated 120-277VAC, 50/60HZ)	
RLV08-308	Remote Low Voltage Input Cabinet, 8 inputs, NEMA 1 enclosure, LumaCAN 3
RLV16-316	Remote Low Voltage Input Cabinet, 16 inputs, NEMA 1 enclosure, LumaCAN 3

Leviton Manufacturing Co., Inc. Energy Management, Controls and Automation

20497 SW Teton Avenue, Tualatin, OR 97062 tel 800-736-6682 fax 503-404-5594 tech line (6:00AM-4:00PM PT Mon-Fri) 800-959-6004

Leviton Manufacturing Co., Inc. Global Headquarters

201 North Service Road, Melville, NY 11747-3138 tel 800-323-8920 fax 800-832-9538 tech line (8:30AM-7:00PM ET Mon-Fri) 800-824-3005

Visit our Website at: www.leviton.com/greenmax

©2017 Leviton Manufacturing Co., Inc. All rights reserved. Subject to change without notice.

G-9339A/E17-tb
REV MAY 2017