



GXL1200

Cardioid Condenser Microphone

Applications:

Studio Recording
Live Sound



Description

Packaged in a small, rugged, all-metal body, the compact and durable GXL1200 condenser microphone is known for its open, transparent sound. Its transformerless design reduces distortion and optimizes low-end response. A uniform cardioid pattern controls feedback. The GXL1200's small size, accuracy, and high SPL capability make it ideal for overhead miking, high hats, cymbals, and stringed instruments. Mic clip, vinyl pouch and polishing cloth included.



CAD Audio
6573 Cochran Rd., Bldg. I Solon, OH 44139 U.S.A.
Tel: (440) 349-4900 Fax: (440) 248-4904
Sales: 800-762-9266 www.cadaudio.com

GXL1200

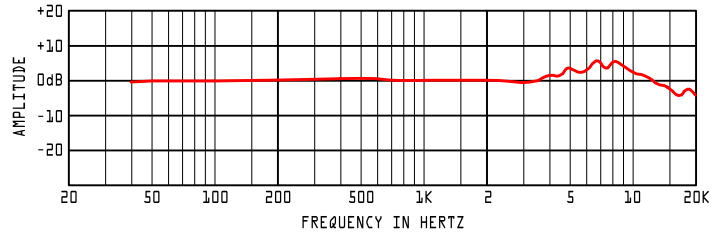
Cardioid Condenser Microphone

Specifications†

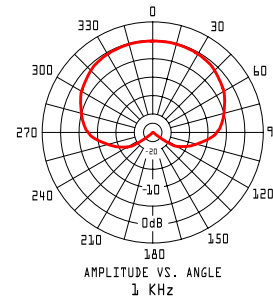
Operating Principle.... Externally-Biased Condenser
Polar Pattern..... Cardioid
Frequency Response30Hz -20KHz
Sensitivity-36dBV (16mV) @ 1 Pa
Impedance 100 ohms
Max SPL 135dB
Self Noise17dBA
Dimensions (see drawing)
Power Requirements..... P48, 4mA
Weight 4.4oz (0.13Kg)
RoHS Compliant

†Specifications subject to change without notice.

Frequency Response

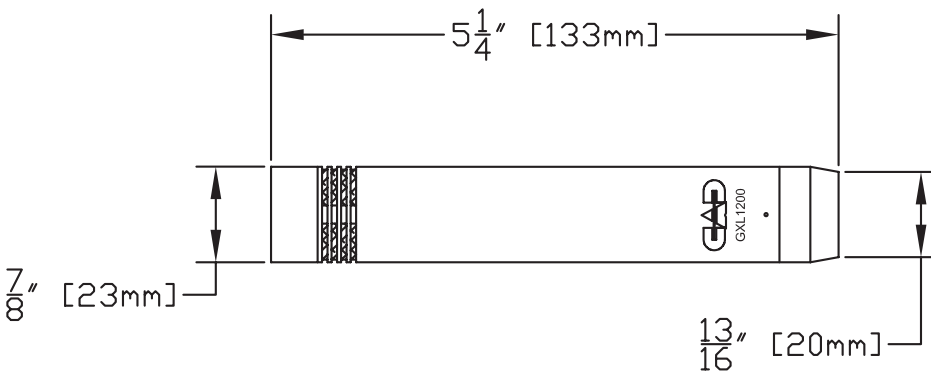


Polar Pattern



Dimensional Drawing

(not shown actual size)



Two-Year Limited Warranty

CAD Audio hereby warrants that this product will be free of defects in material and workmanship for a period of two years from the date of purchase. In the unlikely event that a defect occurs, CAD will, at its option, either repair or replace with a new unit of equal or greater value. In the event that a suitable replacement is unavailable, CAD Audio may elect to reimburse owner for the cost of local repairs or issue a refund in the amount of the original purchase price. Items must be purchased from an authorized CAD Audio dealer, and the warranty is not transferable from the original owner. Please retain proof of purchase to validate the purchase date and include it with any warranty claim.

This warranty excludes exterior finish or appearance, damage from abuse, misuse of the product, use contrary to CAD's instructions or unauthorized repair. All implied warranties, merchantability, or fitness for a particular purpose is hereby disclaimed and CAD hereby disclaims liability for incidental, special or consequential damages resulting from the use or unavailability of this product.

This warranty gives you specific legal rights and you may have other rights that vary from state to state. Some states do not allow the exclusion or limitation of incidental or consequential damages or limitations on how long an implied warranty lasts, so the above exclusions and limitations may not apply to you.

Note: No other warranty, written or oral is authorized by CAD Audio.

To initiate a warranty claim, please contact American Music and Sound at 1-800-431-2609 to obtain a return authorization number and shipping instructions.

- A return authorization is required for all returns. RETURNS WITHOUT A PRE-APPROVED RETURN AUTHORIZATION NUMBER WILL BE REFUSED.
- Please use at least 3 inches of padding surrounding the product for protection during shipment
- Retain your tracking number until your warranty claim has been resolved
- We recommend using an insured shipping method in case of loss or damage during shipment

If outside the United States, contact your local dealer or distributor for warranty details.



CAD Audio
6573 Cochran Rd., Bldg. I Solon, OH 44139 U.S.A.
Tel: (440) 349-4900 Fax: (440) 248-4904
Sales: 800-762-9266 www.cadaudio.com

