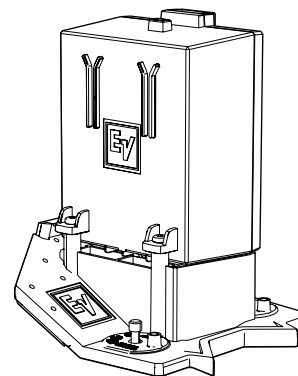


EVERSE Battery pack assembly

- EVERSE high capacity Li-Ion battery is custom designed to provide more than enough power to complete the show.
- Cloth carry bag included to protect the battery during transport and storage.
- Available in black or in white.



Technical specifications

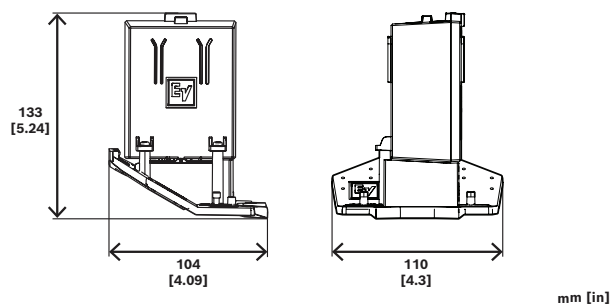
Capacity	86.4 Wh
Run time (at max. output) ^{1,3}	6+ hours
Run time (at moderate output) ^{2,3}	12+ hours
Color	Black or white
Dimensions (H x W x D) (mm)	133 mm x 104 mm x 110 mm
Dimensions (H x W x D) (in)	5.24 in x 4.3 in x 4.09 in
Shipping dimensions (H x W x D) (mm)	172 mm x 148 mm x 142 mm
Shipping dimensions (H x W x D) (in)	6.8 in x 5.8 in x 5.6 in
Weight (g)	542 g
Weight (lb)	1.20 lb
Shipping weight (g)	700 g
Shipping weight (lb)	1.50 lb

¹Maximum output before loudspeaker limit indication, with typical program material.

²Moderate output is approximately 95 dB SPL for EVERSE 8 and 100 dB SPL for EVERSE 12, with typical program material.

³Powering external devices via the DC power jack, USB connection, and/or phantom power will reduce battery run time.

Dimensions



mm [in]

Ordering information

EVERSE-BAT-B Battery pack assembly, EVERSE, black
 High capacity, lithium-ion battery pack assembly, black
 Order number **EVERSE-BAT-B | F.01U.399.474**

EVERSE-BAT-W Battery pack assembly, EVERSE, white
 High capacity, lithium-ion battery pack assembly, white
 Order number **EVERSE-BAT-W | F.01U.399.475**

Represented by:

Germany:
Bosch Sicherheitssysteme GmbH
Robert-Bosch-Ring 5
85630 Grasbrunn
Germany
www.electrovoice.com

Bosch Security Systems, LLC
12000 Portland Avenue South
Burnsville MN 55337
USA