

# Decora® Wireless Wall Switch



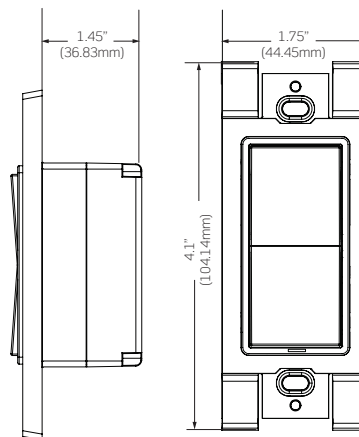
## Description

The Decora® Wireless Wall Switch (ZS10S) is a robust rocker manual switch used to provide wireless control of lighting loads including high inrush LED loads. The ZS10S is compatible with other Leviton wireless products. Requires use with Lumina™ RF Keypad Room Controller or GreenMAX® DRC Wireless Keypad Room Controller

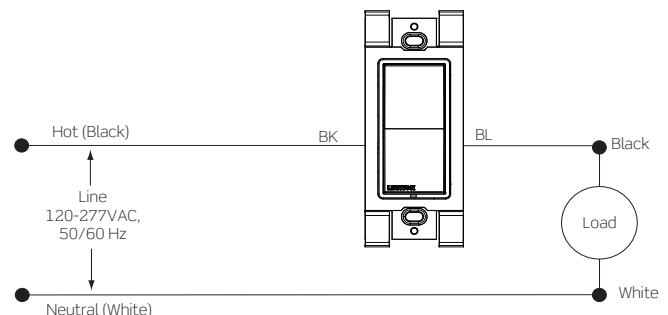
## Features

- Use as a standalone switch or as part of a wireless system
- Wireless mesh network—self-healing mesh network has no hardwired backbone and connects all products together for a more robust and reliable wireless system
- 3-way switching
- Requires a room controller to wirelessly operate within a mesh network
- Standard size for seamless installation—fits in a standard single-gang wall box
- Available in White with Color Change Kit available for Ivory and Light Almond
- Complies with IEEE 802.15.4 standards—for domestic and international wireless networks
- Can be used as a component in a system to meet energy code requirements for IECC, ASHRAE 90.1, and 2022 Title 24, Part 6 space/area control, dimming, manual-ON/OFF, occupancy/vacancy control and automatic shutoff requirement

## Dimensions Diagram



## Wiring Diagram

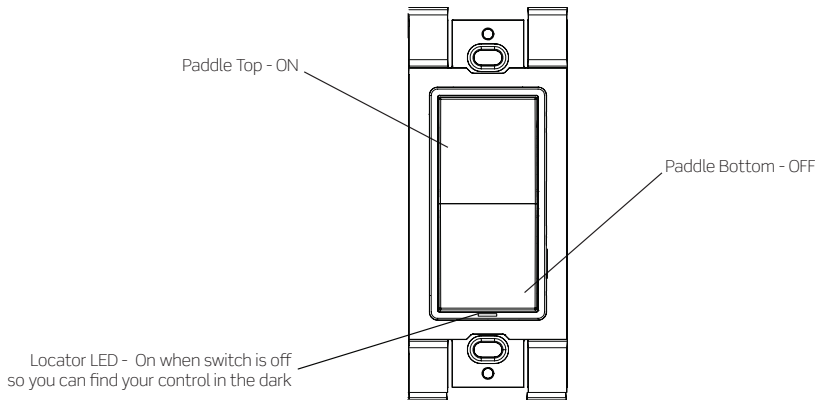


## Leviton Manufacturing Co., Inc. Lighting & Controls

10385 SW Avery Street, Tualatin, OR 97062 **tel** 800-736-6682 **tech line** (6:00AM-4:00PM PT Mon-Fri) 800-959-6004

©2023 Leviton Manufacturing Co., Inc. All rights reserved. Subject to change without notice.

**User Interface\***



\*Default configuration shown. Buttons can be programmed with any function, ex: scene, toggle, etc.

**Specifications**

Electrical	
Input Voltage	120-277VAC, 50/60Hz
Load Rating	Current Rating: 10A for Electronic and Magnetic Ballast, CFL, LED Loads Incandescent/Tungsten: 120VAC, 50/60Hz - 800W Ballast: 1200VA @120VAC, 2700VA @277VAC
Motor Load	120VAC, 50/60Hz - 1/4HP
Frequency	2.4GHz
Environmental	
Operating Temperature Range	32° to 104° F (0° to 40° C), 0-90% non-condensing humidity
Storage Temperature Range	14° to 185° F (-10° to 85° C)
Usage	Indoors only
Other	
Energy Codes	Can be used as a component in a system to meet energy code requirements for IECC, ASHRAE 90.1, and 2022 Title 24, Part 6 space/area control, dimming, manual-ON/OFF, occupancy/vacancy control and automatic shutoff requirements
Listings	FCC certified for wireless communication; (U.S.) IC Certified (Canada); FCC ID: QGH-B167602 IC: 2473A-B167602, UL Listed, NOM Certified
Dimensions	4.1" x 1.75" x 1.45" (104.14mm x 44.45mm x 36.83mm)
Weight	0.25lbs (0.11kg)
Warranty	5-Year

**Ordering Information**

Decora Wireless Wall Switch	
Cat. No.	Description
ZS10S-D0Z	Decora Wireless Wall Switch, 120-277VAC, 50/60Hz, 10A Load
DDKIT-0Sx*	Color Change Kit

\*Color change kits available in the following colors: White (-W), Ivory (-I), Light Almond (-T), Gray (-G), and Black (-E). To order, replace x with the color suffix.

**Leviton Manufacturing Co., Inc. Lighting & Controls**

10385 SW Avery Street, Tualatin, OR 97062 **tel** 800-736-6682 **tech line** (6:00AM-4:00PM PT Mon-Fri) 800-959-6004

**Leviton Manufacturing Co., Inc. Global Headquarters**

201 North Service Road, Melville, NY 11747-3138 **tel** 800-323-8920 **tech line** (8:00AM-10:00PM ET Mon-Fri, 9:00AM-7:00PM ET Sat, 9:00AM-5:00PM ET Sun) 800-824-3005

Visit our Website at: [www.leviton.com/luminarf](http://www.leviton.com/luminarf)

©2023 Leviton Manufacturing Co., Inc. All rights reserved. Subject to change without notice.

LES-G-10370D/F23-aa  
REV JUN 2023