

Decora® Wireless 0-10V Low Voltage Wall Dimmer



Description

The Decora® Wireless 0-10V Low Voltage Wall Dimmer (ZS057-ALZ) is a robust, low voltage rocker manual switch with a dimming bar used to provide control of any 0-10V dimming ballast or LED driver. 24VDC is supplied by an OPP20 power pack which also switches the load ON and OFF. Requires use with Lumina™ RF Keypad Room Controller or GreenMAX® DRC Wireless Keypad Room Controller.

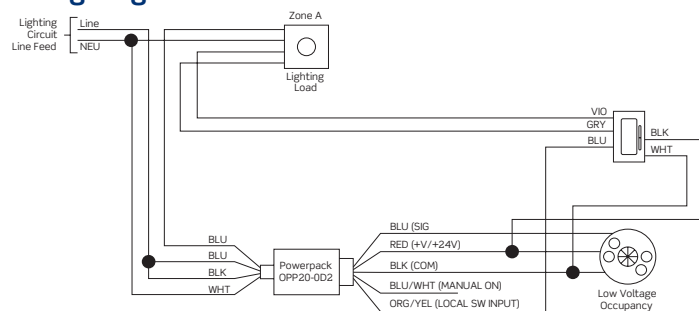
Features

- Use as a standalone dimmer with an OPP20 power pack or as part of a wireless system
- Compatible with multiple load types—any 0-10V controlled load, ex: LED, HID, inductive, fluorescent
- Aesthetically pleasing intuitive design—rocker switch and slender raise/lower side bar for ON/OFF, raise/lower control
- Wireless mesh network—self-healing mesh network has no hardwired backbone and connects all products together for a more robust and reliable wireless system

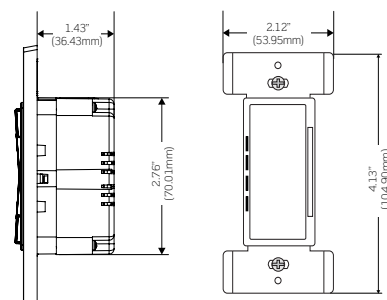
Features, cont'd

- Requires a room controller to wirelessly operate within a mesh network
- Brightness Indicators
 - LEDs illuminate for 5 seconds when lighting level is changed
- Status LED
 - Illuminates momentarily at button press
- Wireless 3-way switching and dimming when used with a room controller
- Standard size for seamless installation—fits in a standard single-gang wall box
- Available in White with Color Change Kit available for Ivory and Light Almond
- Complies with IEEE 802.15.4 standards—for domestic and international wireless networks
- Can be used as a component in a system to meet energy code requirements for IECC, ASHRAE 90.1, and 2022 Title 24, Part 6 space/area control, dimming, manual-ON/OFF occupancy/vacancy control and automatic shutoff requirement

Wiring Diagram



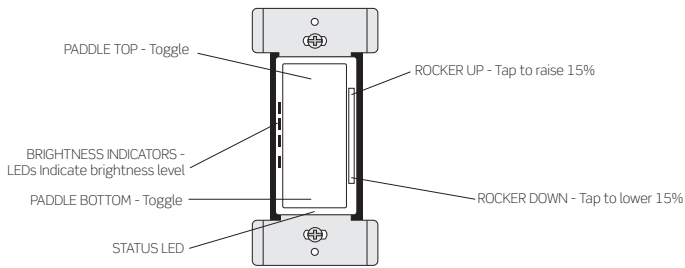
Dimensions Diagram



Leviton Manufacturing Co., Inc. Lighting & Controls

10385 SW Avery Street, Tualatin, OR 97062 **tel** 800-736-6682 **tech line** (6:00AM-4:00PM PT Mon-Fri) 800-959-6004
©2023 Leviton Manufacturing Co., Inc. All rights reserved. Subject to change without notice.

User Interface



Specifications

Electrical	
Input Voltage	24VDC
Input Current	20mA
UL Impulse Voltage	800V (24V Circuit), 4000V (0-10V Circuit)
Network Connections	IEEE 802.15.4, 2.4GHz, wireless, mesh network up to 75 ft (22.86m) range between devices
Environmental	
Operating Temperature	32°F to 104°F (0°C to 40°C)
Storage Temperature	-40°F to 185°F (-40°C - 85°C)
UL Pollution Degree	2
Other	
Energy Codes	Can be used as a component in a system to meet energy code requirements for IECC, ASHRAE 90.1, and 2022 Title 24, Part 6 space/area control, dimming, manual-ON/OFF occupancy/vacancy control and automatic shutoff requirements
Listings	UL, NOM
Dimensions	4.13" x 2.12" x 1.43" (104.90mm x 53.95mm x 36.43mm)
Weight	.51lbs (.23kg)
Warranty	5-Year

Ordering Information

Decora Wireless 0-10V Low Voltage Wall Dimmer	
Cat. No.*	Description
ZS057-ALZ	Decora Wireless 0-10V Low Voltage Wall Dimmer, 2.4GHz, 24VDC, 0-10V Sinking, 20mA, Color: White, Light Almond, Ivory
DDKIT-00x	Decora Color Change Kit

* Replace x to indicate color: (W) = White, (I) = Ivory, (T) = Light Almond, (G) = Gray (R) = Red, (E) = Black

Leviton Manufacturing Co., Inc. Lighting & Controls

10385 SW Avery Street, Tualatin, OR 97062 **tel** 800-736-6682 **tech line** (6:00AM-4:00PM PT Mon-Fri) 800-959-6004

Leviton Manufacturing Co., Inc. Global Headquarters

201 North Service Road, Melville, NY 11747-3138 **tel** 800-323-8920 **tech line** (8:00AM-10:00PM ET Mon-Fri, 9:00AM-7:00PM ET Sat, 9:00AM-5:00PM ET Sun) 800-824-3005

Visit our Website at: www.leviton.com/luminarf

©2023 Leviton Manufacturing Co., Inc. All rights reserved. Subject to change without notice.