



Compatible with:
PB15 PixelBrick



Essential grip for mounting PixelBricks to walls, truss and other structures.

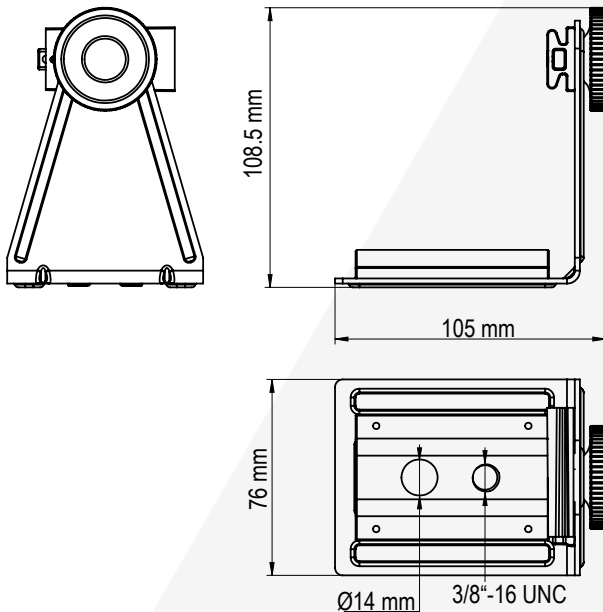
Bracket on PixelBrick



SPECIFICATIONS

Order Code Holder	PB15-BBR
Dimensions (mm/inch)	108.5 x 105 x 76 / 4.3 x 4.1 x 3
Thread	3/8"-16 UNC
Weight (kg/lbs)	0.27 / 5.59
Material	Stainless Steel

DRAWINGS



AirlineTrack on bottom for mounting

