



DATASHEET

TubeHolder

Compatible with:
 AX1 Pixel Tube, FP1 Titan Tube,
 FP2 Helios Tube, FP3 Hyperion Tube

Date: 01/28/21 Version: 1.0



Essential grip for mounting Astera tubes to walls, truss and other structures.

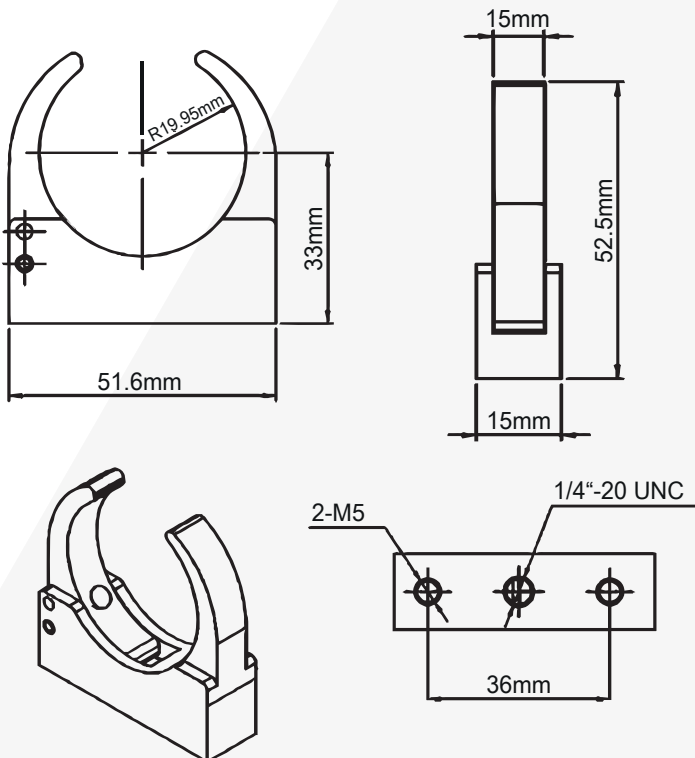
Holder on Tube



SPECIFICATIONS

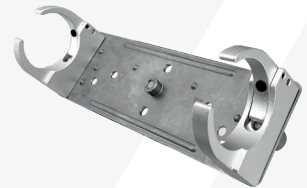
| | |
|--------------------------|--------------------------------------|
| Order Code Holder | AX1-H |
| Order Code Holder Rubber | AX1-H-R |
| Dimensions (mm/inch) | 51.6 x 52.5 x 15 / 2.03 x 2.06 x 0.6 |
| Thread | M5 |
| Weight (kg/lbs) | 0.045 / 0.09 |
| Material | Stainless Steel |

DRAWINGS



USE CASES

Holder on WingPlate



Tube mounted on truss with Holder and SuperClamp



Holder for hanging / safety

