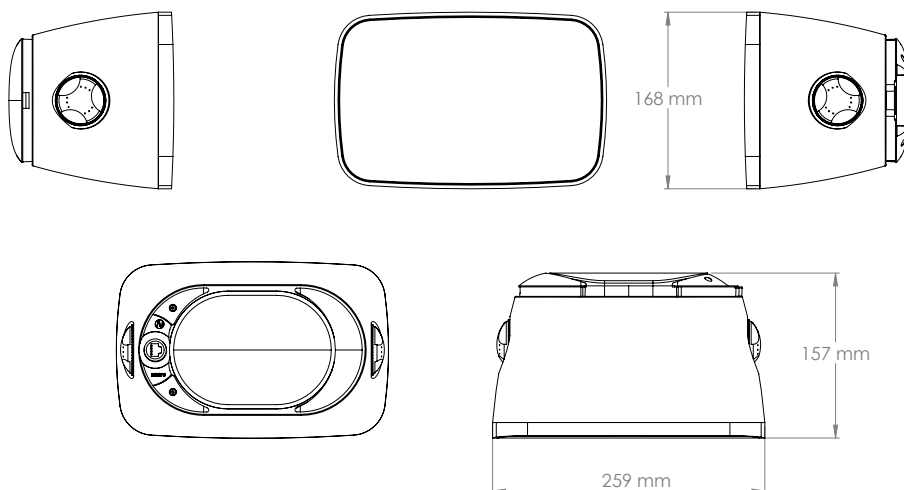


Weatherproof loudspeaker Dante™ PoE+ 5" Two-way with Passive Radiator



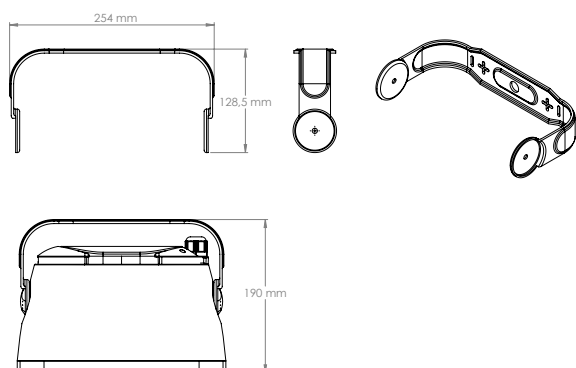
Reference	SPWP50DP
Type	2-way with Passive Radiator
Amplification	60 W (class D)
Dante™ Receiver	1 (16 / 24 / 32 bit - 44.1 à 96 kHz)
Transducers	5" woofer + 1" tweeter
Peak SPL capacity (1 m)	110 dB
Bandwidth (-10 dB)	50 Hz - 18 kHz
Directivity (H x V)	90° x 90°
Input connectors	1 x RJ45
Insert	2 x M6
Dimensions (H x W x D)	258 x 169 x 168 mm
Weight	2.4 kg
Power supply	PoE+ (IEEE 802.3 at)
Accessories	Bracket and cable gland included
Ingress Protection Code	TBA
Certification	CE

Dante™ PoE+ optiZONE noLOGO



Accessories

Bracket (included)



Cable gland (included)

