

Spec Sheet

DRK 20

Flybar for DVA Line Array systems



Applications

- Live sound for rental application in mid-sized and large venues
- Permanent installation in theatres, houses of worship, convention centres, ballrooms,

Features

- Flybar for hanging DVA line array systems (DVA T4, T8 and T12 module; S09 DP, S10 DP, S1518 N, S2585 N subwoofers)
- Used to hang binding loads up to 1300Kg (depending on the inclination angle)
- Selectable on DVA line array systems design and prediction software DVA Composer®
- EASE Focus 2® GLL data file available

T4, T8 and T12 active line-array modules and DVA S09 DP, S10 DP, S1518 N, S2585 N active subwoofers. The inclination angle of the cluster can be changed by shifting the lifting hook along the series of holes in the central bar of the rigging frame.

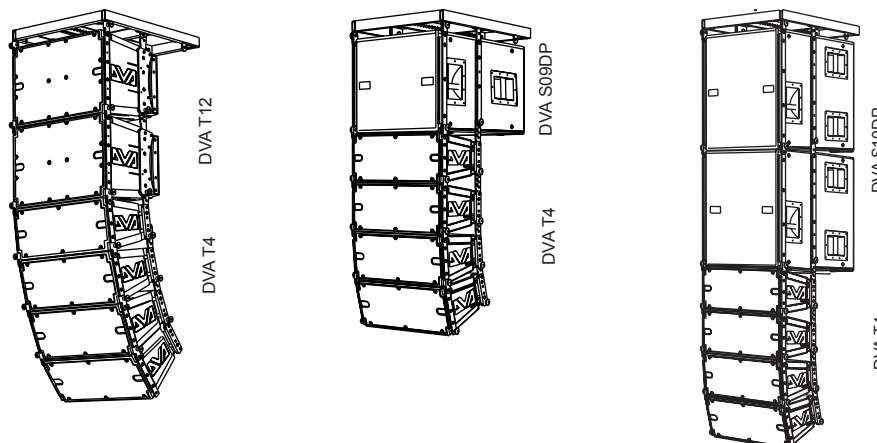
Thanks to its solid structure in special steel, it is possible to hang DVA series speakers with a weight of up to 1300 kg, TUV certified. The maximum inclination angle is +/- 5°, depending on the load applied. The whole hanging system have been designed and verified by technical load-tests, according to the Italian Ministerial Decree “New technical standards for construction” of 14 January 2008, and to Eurocode 1 and Eurocode 3 standards for steel structures.

DVA Composer – the Acoustical Simulation and Aiming software for DVA Systems – allows the user to easily design systems composed by clusters hooked to the DRK 20. The DVA Composer also gives to the user all the information about phase alignment between flown systems and ground stacked subwoofers, as well as it suggests an optimized aiming of the line arrays modules and their suggested EQ preset, in order to guarantee maximum performances even for non-expert customers.

Description

DRK 20M is a fly-bar designed for lifting DVA line array systems. It can be used to lift DVA

Installation Examples



DRK 20

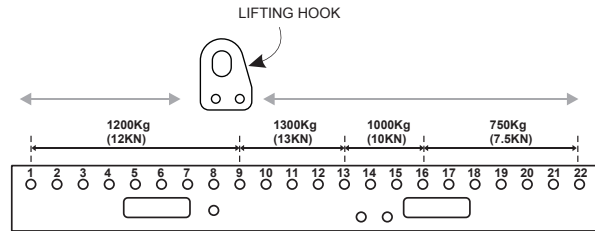
Technical Specifications

Specifications

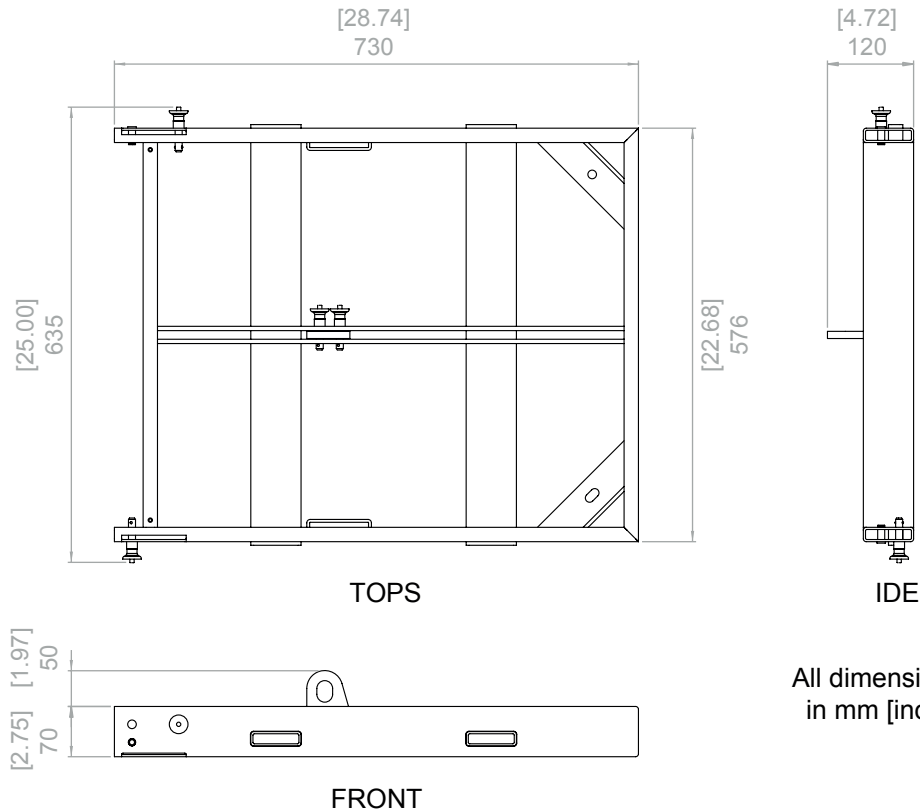
Flybar for DVA line array systems

Lifting hook position / Maximum load

Lifting hook position	Maximum load
1 - 9	1200 Kg / 2645 lbs. [12kN]
9 - 13	1300 Kg / 2866 lbs. [13kN]
13 - 16	1000 Kg / 2204 lbs. [10kN]
16 - 22	750 Kg / 1653 lbs. [7.5kN]



Overall Dimensions



All dimensions in mm [inch]

info@dbtechnologies.com www.dbtechnologies.com

dBTechnologies products are continually improved. All specifications are therefore subject to change without notice.