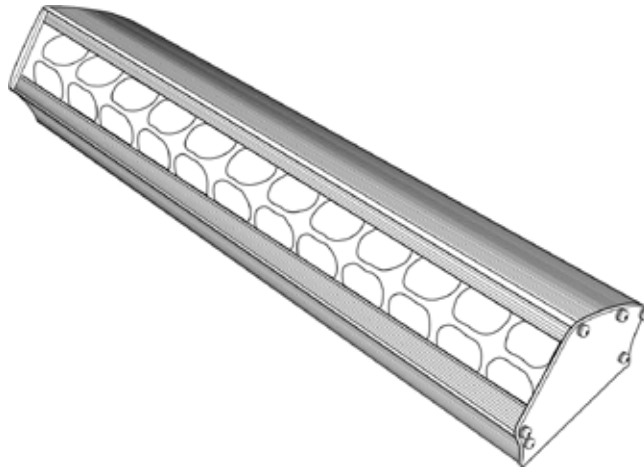


DALIS - 8625


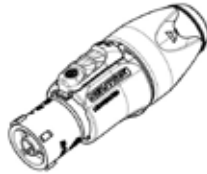
FOOTLIGHT

Quick Start Guide



LED 75 W - VARIABLE WHITE FOOTLIGHT
PROJECTEUR BAIN DE PIED LED 75 W - BLANC VARIABLE

User's manual:	Product information page URL:
	<p>Download the user's manual and updates from: www.robertjuliat.com/ambiance_lighting/dalis862</p>

Package contents:	
 <p>1 x Dalis 8625</p>	 <p>1 x Neutrik® powerCON TRUE1 connector (ref. NACFX-W)</p>

DALIS 8625
Firmware V1.XX - 15/11/17

VALIDATION: 03/05/19

DN41136200



ROBERT JULIAT

GENERAL INSTRUCTIONS

1. Not for residential use.
2. **These fixtures must only be serviced by a qualified technician.**
3. In addition to the instructions indicated on this page, relevant health and safety requirements of the appropriate EU Directives must be adhered to at all times.
4. This fixture is in compliance with section 17 - Lighting appliance for theatre stages, television, cinema and photograph studios. Standards NF EN 60598-1 and NF EN 60598-2-17.
5. This fixture is rated as IP20, and is for indoor use only.

FIXTURE

6. Ensure fixture is correctly mounted on an appropriate support.
7. Protection screens must be replaced in the event of any damage, such as cracks or deep scratches, since these might reduce performance.
8. **WARNING:** LED source become hot during use. Allow fixture to cool before servicing.
9. Do not tamper with design of fixture nor any of its safety features.
10. Tighten electrical mains cable connections regularly and replace with one of identical specification if damaged.
11. Use only with correct power supply.
12. Do not orientate the fixture towards a source of light (sun, fixture), in particular for LED versions.

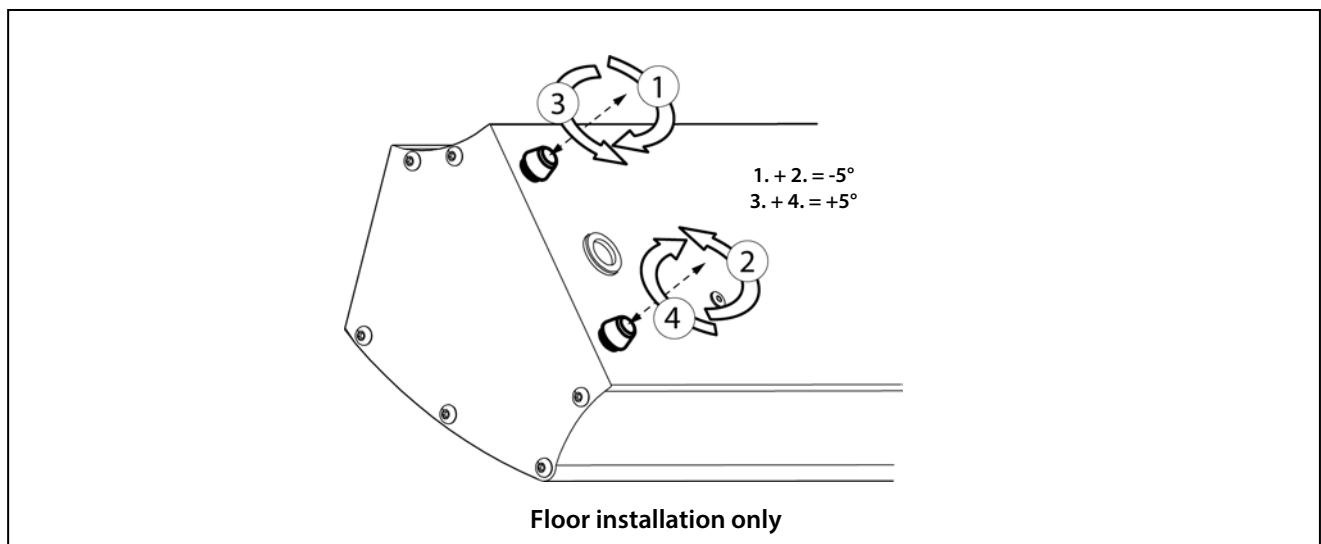
VENTILATION

13. Keep well away from flammable material.
14. Not for outdoor use. Do not cover. Do not permit fixture to get wet.
15. To avoid overheating, do not obstruct air vents.

PLEASE NOTE

These products have been built to conform to European standards relating to professional lighting equipment. Any modification made to our products will void the manufacturers' warranty.

2 Installation

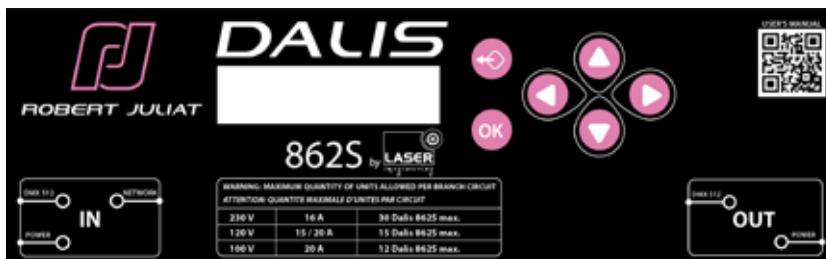


3 Electrical / Data connection

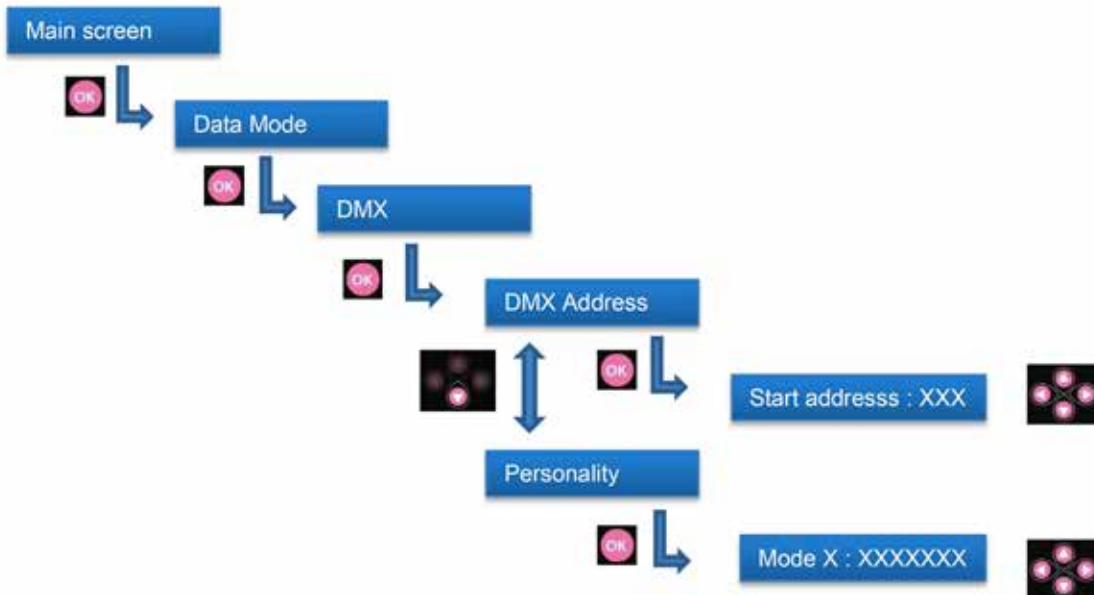


①	Power input :	<ul style="list-style-type: none"> • Connector: Neutrik® powerCON TRUE1 • Voltage: 90 → 264V 50/60Hz • Power consumption: 90W max
②	Power output:	<ul style="list-style-type: none"> • Connector: Neutrik powerCON TRUE1 Daisy chain: <ul style="list-style-type: none"> • 230V: 30 units max • 120V: 15 units max • 100V: 12 units max
③	Data In:	<ul style="list-style-type: none"> • Connector: XLR 5-pin • Protocol: USITT DMX 512-A / RDM
④	Data Out:	<ul style="list-style-type: none"> • Connector: XLR 5-pin • Protocol: USITT DMX 512-A / RDM
⑤	Ethernet:	<ul style="list-style-type: none"> • Connector: RJ45 • Protocol: Art-Net / sACN + software update

4 DMX control



DMX address and control mode selection:



5 DMX chart



DMX address	Mode 1: Full4groupsmode16b	Mode 2: Full1groupmode16b	Mode 3: Full1groupmode8b	Mode 4: Presetmode16b	Mode 5: Presetmode8b	Mode 6: 4groupsindividual16bits	Mode 7: 4groupsindividualpreset16b
1	Dimmer	Dimmer - Up Stage	Dimmer - Up Stage	Dimmer	Dimmer	Dimmer - Up Stage 1	Dimmer - 1
2	Dimmer fine	Dimmer fine - Up Stage	Cool white - Up Stage	Dimmer fine	Balance	Dimmer fine - Up Stage 1	Dimmer fine - 1
3	Cool white - Up Stage 1	Cool white - Up Stage	Warm white - Up Stage	Balance	CCT	Cool white - Up Stage 1	Balance - 1
4	Cool white fine - Up Stage 1	Cool white fine - Up Stage	Dimmer - Down Stage	CCT	Strobe duration	Cool white fine - Up Stage 1	CCT - 1
5	Warm white - Up Stage 1	Warm white - Up Stage	Cool white - Down Stage	Strobe duration	Strobe speed	Warm white - Up Stage 1	Blue position intensity - 1
6	Warm white fine - Up Stage 1	Warm white fine - Up Stage	Warm white - Down Stage	Strobe speed	Response time	Warm white fine - Up Stage 1	Red position intensity - 1
7	Cool white - Up Stage 2	Dimmer - Down Stage	Strobe duration	Response time	Control mode	Dimmer - Up Stage 2	Dimmer - 2
8	Cool white fine - Up Stage 2	Dimmer fine - Down Stage	Strobe speed	Control mode	Blue position	Dimmer fine - Up Stage 2	Dimmer fine - 2
9	Warm white - Up Stage 2	Cool white - Down Stage	Response time	Blue position	Red position	Cool white - Up Stage 2	Balance - 2
10	Warm white fine - Up Stage 2	Cool white fine - Down Stage	Control mode	Red position	Position Intensity	Cool white fine - Up Stage 2	CCT - 2
11	Cool white - Down Stage 1	Warm white - Down Stage	Blue position	Position Intensity		Warm white - Up Stage 2	Blue position intensity - 2
12	Cool white fine - Down Stage 1	Warm white fine - Down Stage	Red position			Warm white fine - Up Stage 2	Red position intensity - 2
13	Warm white - Down Stage 1	Strobe duration	Position Intensity			Dimmer - Down Stage 1	
14	Warm white fine - Down Stage 1	Strobe speed				Dimmer fine - Down Stage 1	
15	Cool white - Down Stage 2	Response time				Cool white - Down Stage 1	
16	Cool white fine - Down Stage 2	Control mode				Cool white fine - Down Stage 1	
17	Warm white - Down Stage 2	Blue position				Warm white - Down Stage 1	
18	Warm white fine - Down Stage 2	Red position				Warm white fine - Down Stage 1	
19	Strobe duration	Position Intensity				Blue position intensity - 1	
20	Strobe speed					Red position intensity - 1	
21	Response time					Dimmer - Down Stage 2	
22	Control mode					Dimmer fine - Down Stage 2	
23	Blue position					Cool white - Down Stage 2	
24	Red position					Cool white fine - Down Stage 2	
25	Position Intensity					Warm white - Down Stage 2	
26						Warm white fine - Down Stage 2	
27						Blue position intensity - 2	
28						Red position intensity - 2	

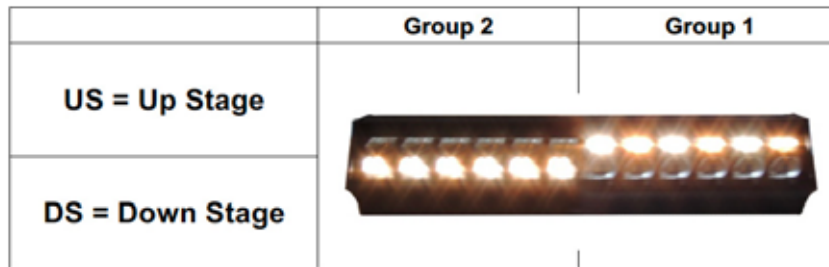




Table des mises à jour

INTERNE & CONFIDENTIEL

DALIS 862S

DN411362XX

Section Modifs - 1

REP & INDICE	DATE	D.O.	DESCRIPTION / AUTEUR	OBSERVATIONS	VERSION
00	15/04/19	SZ/ LL	Création du Quick-Start pour DALIS 864 <i>1e infos transmise par : Séverine le 15/04/19.</i>		V1
00	26/04/19	SZ/ LL	Dessin sur page EN-2 M.A.J. à la demande de Ludwig. <i>Infos transmise par : Séverine le 26/04/19.</i>		V1

POUR VALIDATION

**1 ère Lecture & Corrections,
imprimé le 03/05/19**

VISA (François J) :

Date :

VISA (R & D) :

Date :

VISA :

Date :

VISA :

Date :

VISA :

Date :

VISA :

Date :