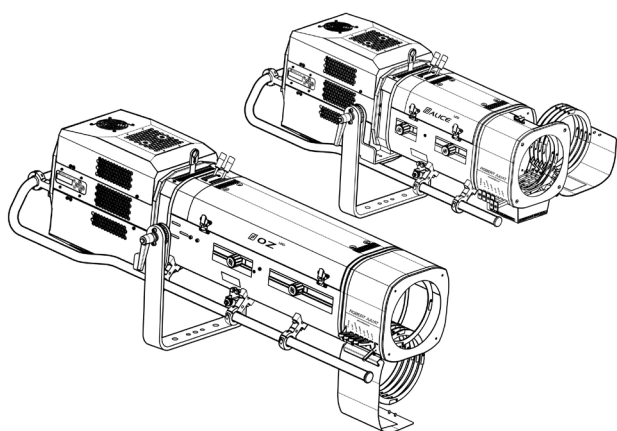
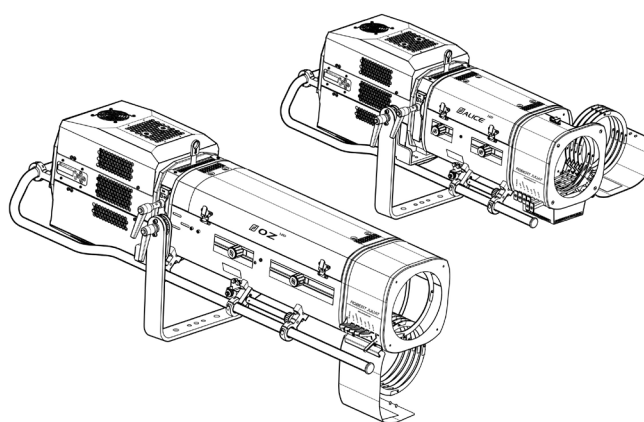


ALICE & OZ

LED FOLLOWSPOTS



OZ 1169TC / ALICE 1469TC (TOP CONTROL)



OZ 1169 / ALICE 1469

600 W LED

Angles	Controls	Model	
		Standard / CE	North American
7 – 14,5°	On top	1169TC (v3)	1169CTC (v3)
13 – 24°	On top	1469TC (v3)	1469CTC (v3)

Angles	Controls	Model	
		Standard / CE	North American
7 – 14,5°	On the side	1169 (v3)	1169C (v3)
13 – 24°	On the side	1469 (v3)	1469C (v3)

Product version:
V3

Software:
FIRMWARE V4.00

Date: 19/01/24



ROBERT JULIAT

DN41135201 (EN)

Table of Contents

1 User's instructions	1	5 Controls and parameters	25
2 Presentation	2	5.1 Local display and controls	25
2.1 Functions	2	5.1.1 Display.....	25
2.2 Identification label	3	5.1.2 Menu.....	26
2.3 Accessories included	3	5.1.3 Parameters.....	27
2.4 Optional accessories	4	5.2 DMX512 - A remote control	28
3 Set-up	5	5.2.1 Protocol.....	28
3.1 Mechanics	5	5.2.2 Configuration.....	28
3.1.1 Operating positions.....	5	5.2.3 Parameters.....	29
3.1.2 Minimum distance between a flammable material and the lighting unit...5		5.2.3.1 DMX Hold.....	29
3.1.3 Instructions for use.....	5	5.2.4 DMX chart.....	30
3.1.4 Lifting.....	5	5.2.5 DMX ranges.....	30
3.1.5 Stand set-up.....	6	5.2.5.1 Strobe duration.....	30
3.2 Electrical information	7	5.2.5.2 Strobe speed.....	30
3.2.1 LED source.....	7	5.2.5.3 Response time.....	30
3.2.2 Power supply.....	7	5.2.5.4 Control mode.....	30
3.3 DATA	8	5.3 RDM remote control	31
3.3.1 DMX 512-A / RDM.....	8	5.3.1 Protocol.....	31
3.3.2 Art-Net / sACN.....	9	5.3.2 Functions.....	31
3.3.3 Ethernet / DMX node.....	9	5.4 Art-Net remote control	33
3.4 Accessories	10	5.4.1 Protocol.....	33
3.4.1 Full closing iris cassette.....	10	5.4.2 Configuration.....	33
3.4.2 Colour changer unit - boomerang (only available for OZ).....	10	5.4.3 Local set-up.....	34
3.4.3 Colour changer unit - push-pull (ALICE).....	11	5.5 sACN remote control	35
3.4.4 Gobo holder.....	11	5.5.1 Protocol.....	35
3.4.5 Double slot front cassette for 215 x 215 mm accessories (option).....	12	5.5.2 Configuration.....	35
3.4.6 Frosted / CTO glass (option).....	12	5.5.3 Local set-up.....	36
3.4.7 Internal glass holder 120 x 120 mm (option).....	13	5.6 Dual remote control	37
3.4.8 Horizontal chopper (option).....	13	5.6.1 Protocol.....	37
3.4.9 Stands.....	14	5.6.2 Configuration.....	37
3.4.10 Heavy duty adjustable yoke (option).....	14	5.6.3 Local set-up.....	38
3.4.11 Telrad followspot sight (option).....	14	5.7 Web interface	39
3.4.12 Flight-case (option).....	15	5.7.1 Control.....	39
4 Operations	16	5.7.2 Default IP address.....	39
4.1 Light intensity	16	5.7.3 Network IP of the computer.....	39
4.1.1 Range.....	16	5.7.4 Connect to web interface.....	39
4.1.2 Control.....	16	5.8 Fan cooling modes	40
4.1.3 Parameters.....	16	5.8.1 Range.....	40
4.1.3.1 Dimming resolution - DMX only.....	16	5.8.2 Control.....	40
4.1.3.2 Dimming curve.....	16	5.9 Gel Fan mode	40
4.1.3.3 Master control.....	17	6 Service	41
4.1.3.4 Set maximum position.....	17	6.1 Preventive maintenance	41
4.1.3.5 Dimming mode.....	17	6.1.1 Frequency.....	41
4.2 Strobe	18	6.1.2 General cleaning.....	41
4.2.1 Range.....	18	6.1.3 General visual check.....	41
4.2.2 Control.....	18	6.1.4 LED source.....	41
4.3 Response time	18	6.1.5 Optics.....	41
4.3.1 Range.....	18	6.1.6 Inner fans & LED glass protection cleaning.....	42
4.3.2 Control.....	18	6.2 Analysis	42
4.4 Beam size adjustment	19	6.3 Local potentiometer.....	43
4.4.1 Range.....	19	6.4 Electronic thermal management system	44
4.4.2 Control.....	19	6.5 Firmware update	44
4.5 Pan / Tilt	20	6.6 Factory defaults	44
4.5.1 Range.....	20	6.6.1 Modes.....	44
4.5.2 Control.....	20	6.6.2 Control.....	44
4.6 Iris	21	6.7 Selftest	45
4.6.1 Range.....	21		
4.6.2 Control.....	21		
4.7 Gobo	21		
4.7.1 Range.....	21		
4.7.2 Control.....	21		
4.8 Colour	22		
4.8.1 Range.....	22		
4.8.2 Control.....	22		
4.9 Frost and correction filters	23		
4.9.1 Range.....	23		
4.9.2 Control.....	23		
4.10 Horizontal chopper	24		
4.10.1 Range.....	24		
4.10.2 Control.....	24		

GENERAL INSTRUCTIONS

1. Not for residential use.
2. These fixtures must only be serviced by a qualified technician.
3. In addition to the instructions indicated on this page, relevant health and safety requirements of the appropriate EU Directives must be adhered to at all times.
4. This fixture is in compliance with section 17 - Lighting appliance for theatre stages, television, cinema and photograph studios. Standards NF EN 60598-1, NF EN 60598-2-17, Low Voltage Directive 2014/35/UE & EMC Directive 2014/30/UE.
5. This fixture is rated as IP20, and is for indoor use only.

FIXTURE

6. Ensure fixture is correctly mounted on an appropriate support.
7. Protection screens and lenses must be replaced in the event of any damage, such as cracks or deep scratches, since these might reduce performance.
8. When hung or flown the fixture must be secured by an additional hanging accessory (such as a safety cable or bond) of suitable length.
9. Safety bonds or cables must be securely attached to the back of the fixture and be as short as possible, or rolled up as necessary, to minimise travel distance should the fixture be dislodged.
10. Movable accessories (scroller, etc.) must also be secured with a suitable safety cable or bond at the front of the fixture.
11. The combined weight of both the fixture and the accessories must be considered when choosing the load-bearing capability of safety cable or bond.
12. Do not open lighting fixture when the source is on.
13. **WARNING:** LED source become hot during use. Allow fixture to cool before servicing.
14. Do not tamper with design of fixture nor any of its safety features.
15. Tighten electrical mains cable connections regularly and replace with one of identical specification if damaged.
16. Use only with correct power supply.

VENTILATION

17. Keep well away from flammable material.
18. Not for outdoor use. Do not cover. Do not permit fixture to get wet.
19. To avoid overheating, do not obstruct air vents.
20. Ensure any cooling fans are in correct working order. If fans are not working, turn fixture off immediately and service as necessary.

CLEANING

21. Do not touch the LED source with your fingers.
22. To clean the optical parts, use a soft cloth in combination with distilled water or isopropyl alcohol recommended for coated optics. Do not use any cleaning product that contains solvents or abrasives, as these can cause surface damage. Dry with a soft lint-free cloth.
23. Regularly remove dust with a soft lint-free cloth.
24. If the fixture has filters, they must be cleaned frequently.


POWER SUPPLY

25. Disconnect from the mains before servicing.
26. Mains connection only. Do not connect to "electronic output" such as dimmer.
27. Ensure power supply circuit breakers, always remain accessible.

PLEASE NOTE

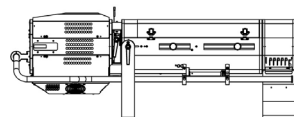
This product has been built to conform to European standards relating to professional lighting equipment. Any modification made to our products will void the manufacturers' warranty.

Risk group 2

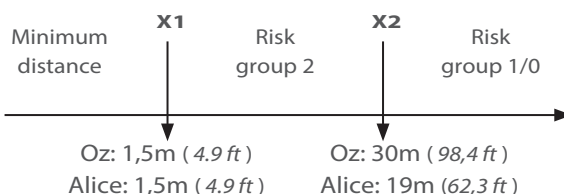


CAUTION: Possibly hazardous optical radiation emitted from this product.
Do not stare at operating lamp.
Maybe harmful to the eye.

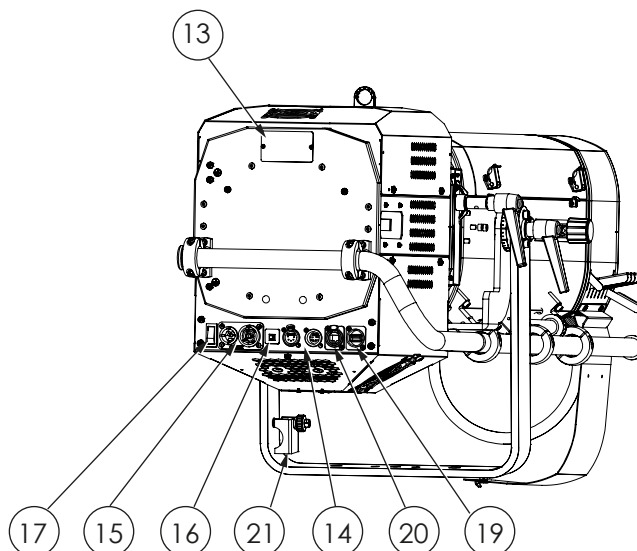
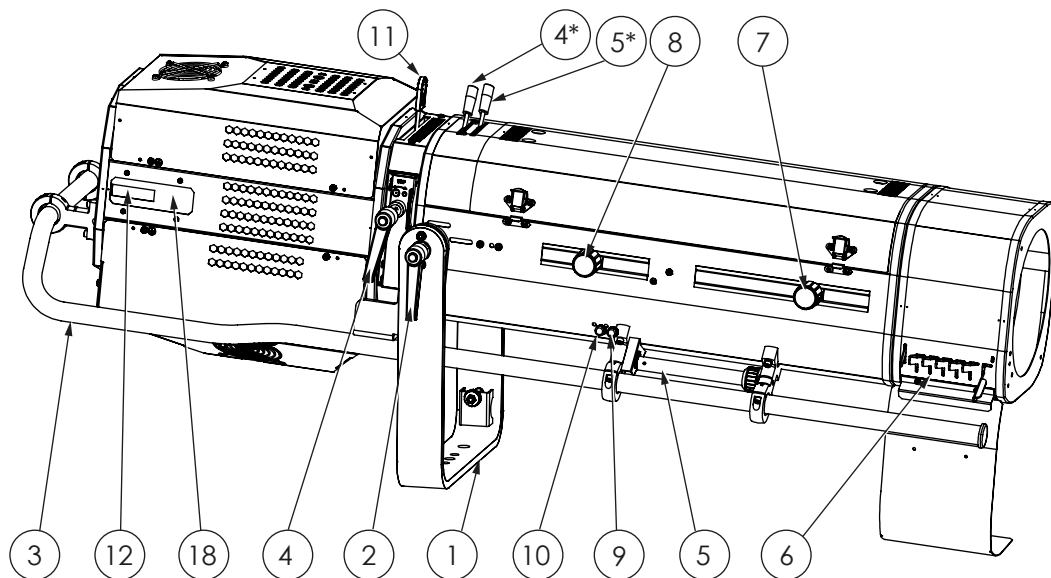
Group risk 2. Luminaires should be positioned so that prolonged staring into luminaire at a distance closer than 30m (Oz) & 19m (Alice) is not expected.



Photobiological safety according to EN62471



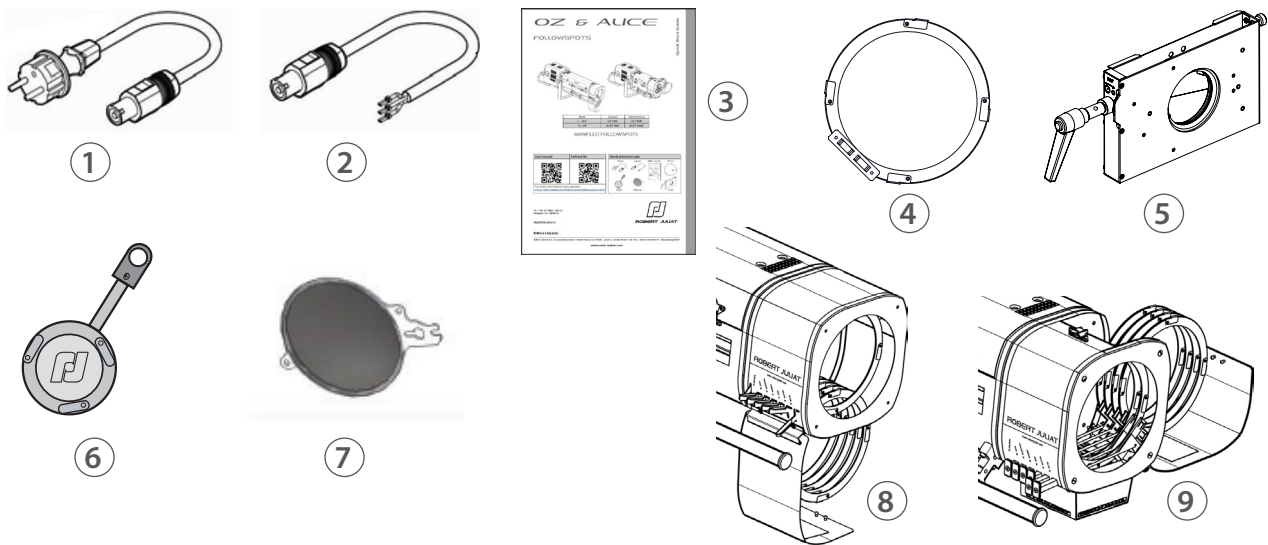
2.1 Functions



Description	
1. Yoke	10. Spare filter
2. Yoke locking	11. Gobo holder
3. Side operating	12. Local display
4. Iris control (1169/1469 only)	13. Identification plate
4*. Iris control (1169TC/1469TC only)	14. Data connectors (OUT and IN)
5. Dimming control (1169/1469 only)	15. Power connectors (IN and OUT)
5*. Dimming control (1169TC/1469TC only)	16. Thermal breaker
6. Colour changer	17. Power switch
7. Zoom adjustment	18. Control board
8. Focus adjustment	19. USB connector
9. Frost glass	20. RJ45 connector
	21. Cable lock

Description	
	<ol style="list-style-type: none"> 1. MOD. : Model 2. VERS. : Version 3. U : Nominal voltage input (V) 4. I : Nominal intensity (A) 5. P : Maximum power input (W) 6. IP : International Protection Rating 7. t°a : Maximum ambient temperature (°C) 8. t°c : Maximum external temperature of the unit (°C) 9. Net weight (kg) 10. Minimum distance between a flammable material and the lighting unit (m) 11. LED type 12. Serial number 13. Replace broken glass 14. Class 1 product label 15. Read manual first label 16. European conformity label 17. WEEE directive label 18. CEI-TR-62778 - Do not stare at light source 19. EN62471 - Risk group 20. UKCA (UK Conformity Assessed) label
<p>Units :</p> <ul style="list-style-type: none"> - Weight = kilogram (kg). - Intensity = Ampere (A). - Voltage = Volt (V). - Frequency = Hertz (Hz). - Temperature = degree Celsius (°C). 	

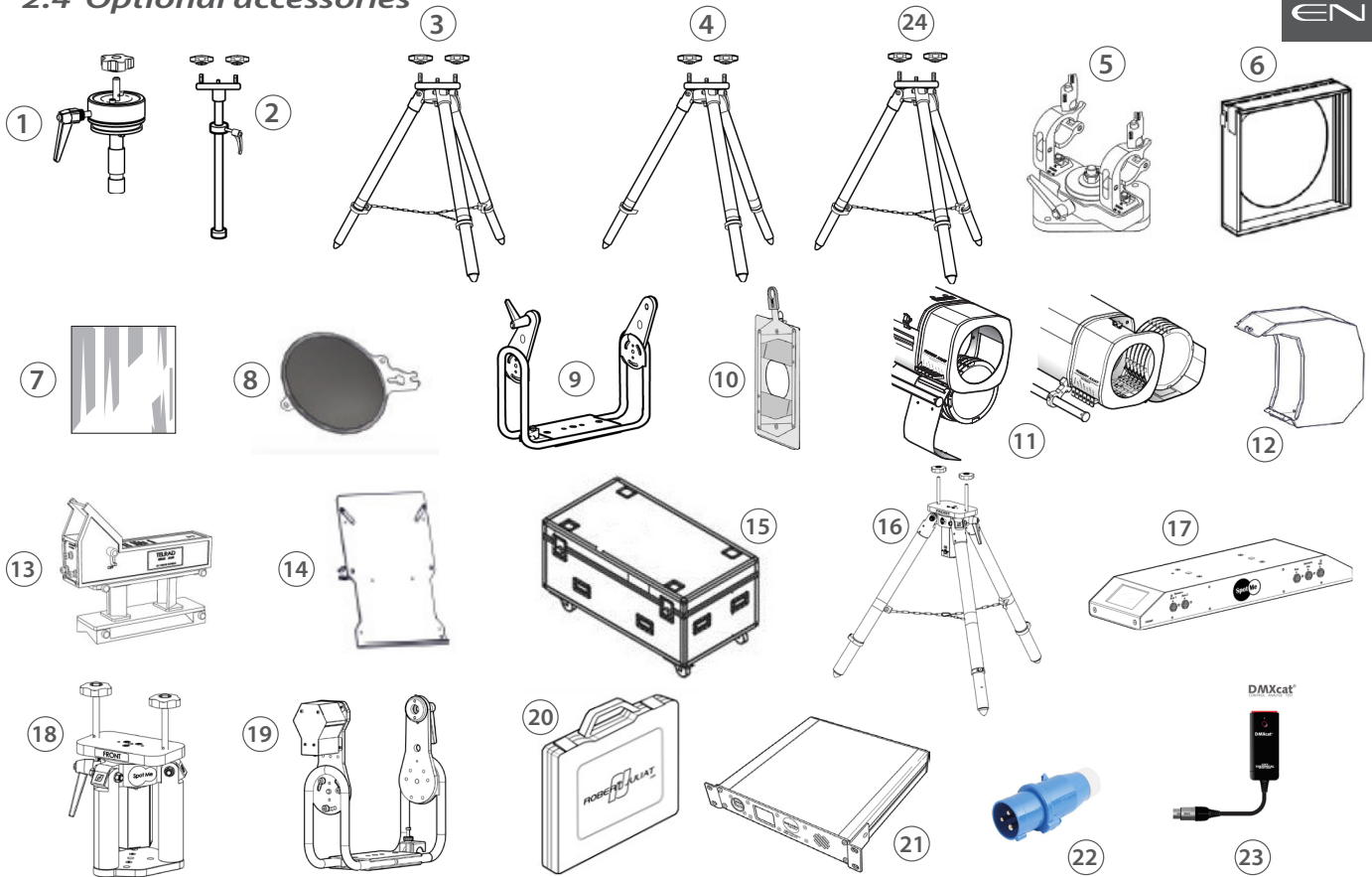
2.3 Accessories included



Reference	Description
1 CAL03	3 meter power cable (3G1,5 HO7RNF) with Neutrik PowerCon© True1 and CEE 7/7 (2P+T NF/SCHUKO) connectors (standard version)
2 CAL04	1,50m power cable UL/CSA with Neutrik® powerCON TRUE1 connector (North American version)
3 DN41145300	Quick Start manual
4 PF1011	Ø210 mm metal filter holder (x6)
5 CCU1	Full closing iris cassette - Ø72mm
6 SGUP2	Universal "A" size gobo-holder (metal, glass, frosted glass)
7 VDM100	Ø97mm frosted glass with holder
8 M210B	6-way "boomerang" colour changer (included only for Oz)
9 M210T	6-way "Push/Pull" colour changer (included only for Alice - optional for Oz)

2.4 Optional accessories

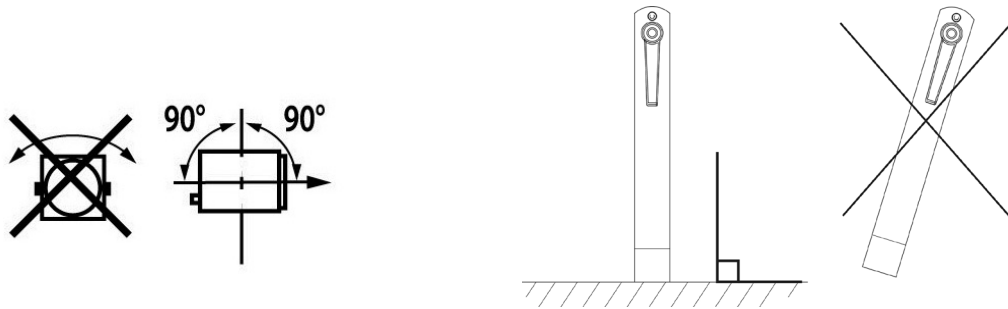
EN



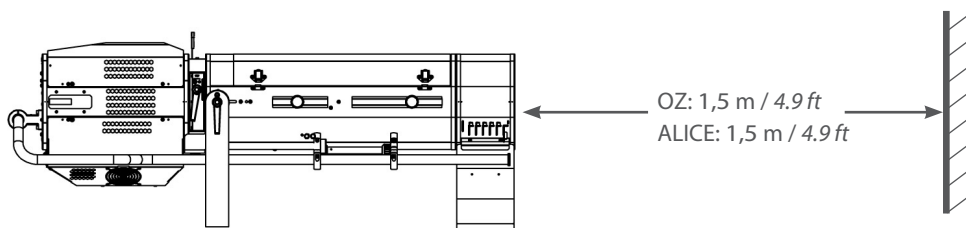
	Reference	Description
1	T1000	TV spigot with followspots swivel head
2	JPP	Monopod stand for overhead followspot
3	GT4000	Tripod stand with safety chain - SWL: 130 Kg - max. height: 1030 mm
4	GT4000S	Tripod stand without safety chain - SWL: 130 Kg - max. height: 1030 mm
5	T4000	Followspot mount for Ø50mm pipe (suspension or overhead) - SWL= 100 Kg
6	CAV700A	Double slot front cassette for 215x215mm accessories
7	VD120	120x120mm frosted glass
8	FCM100R	Ø97mm 1/2 CTO correction filter with holder
9	FR0/1017PD	Heavy duty adjustable yoke
10	Kit G80	Ø80mm chopper kit (G80+ GR120+ adaptation kit)
11	M210B	6-way "boomerang" colour changer (only available for OZ)
	M210TM	6-way "push-pull" colour changer (option available for OZ)
12	M210TVCL	Light shield for M210T push/pull colour changer
13	Kit TELRAD	Telrad followspot sight with raiser and universal mounting kit
14	SDUP	Followspot cue sheet holder with universal mounting kit
15	FC1169/S	Flight-case for Compact range (LED version) / GT stand / P.S.U. / accessories
16	GT4000RSM	Tripod stand with safety chain - SWL: 130 Kg - max. height: 1030 mm (equipped with PAN sensor)
17	SMS	SpotMe server + 2 sensor cables + flight case
18	T4000RSM	Followspot mount with ball head rotation and SpotMe PAN sensor SWL = 100 Kg - Weight: 8,83 Kg.
19	FR0/SMEPV	Heavy duty adjustable yoke equipped with TILT SpotMe sensor (E type)
20	TCSM	SpotMe calibration tool kit
21	Maestro	Maestro server for SpotMe - rackable unit: 1U - half 19"
22	PCP1716A	16A blue 2P+E 6h IEC60309 power connector
23	DMXcat	Bluetooth DMX/RDM Multifunction test tool - City Theatrical DMXcat®
24	GT4000R	Tripod stand with ball head rotation with security chain - SWL: 130 Kg - max. height: 1030 mm

3.1 Mechanics

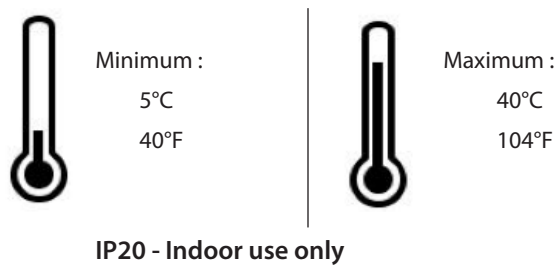
3.1.1 Operating positions



3.1.2 Minimum distance between a flammable material and the lighting unit

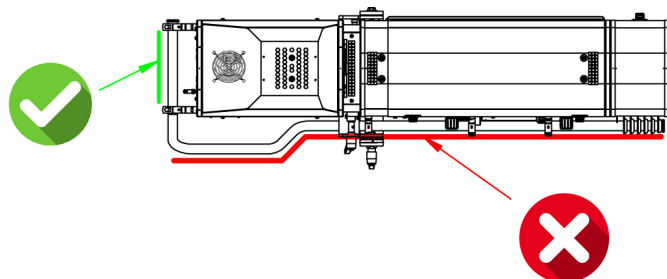


3.1.3 Instructions for use



3.1.4 Lifting

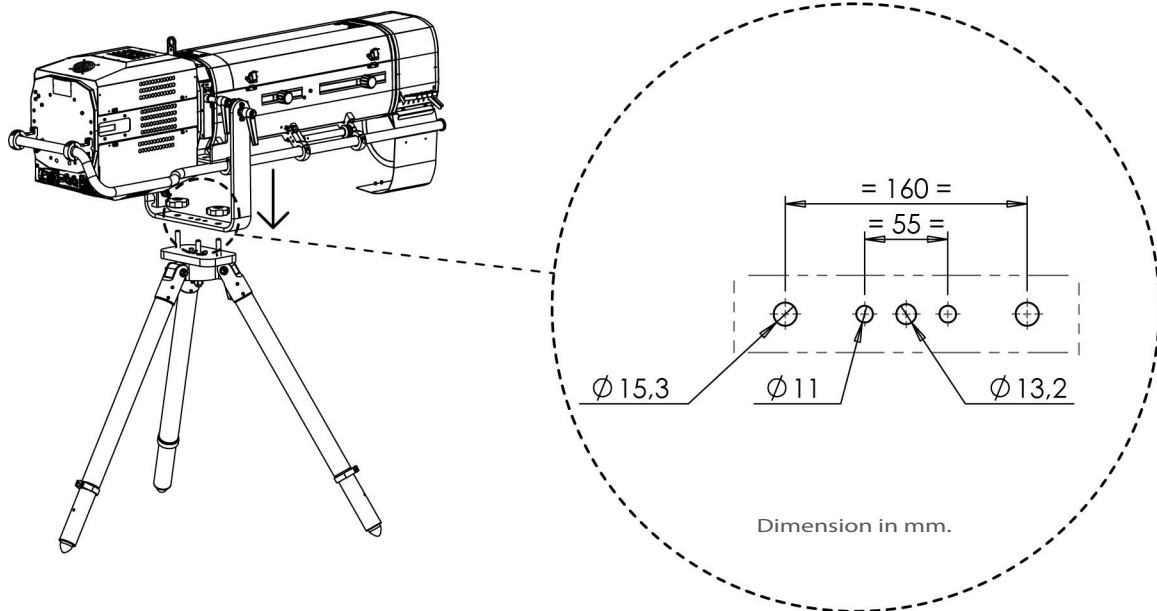
- Net weight for
OZ: 42 Kg (92.59 lbs)
ALICE: 41.6 Kg (91.71 lbs)



The unit must be installed only on a Robert Juliat compatible stand / head :	
T1000	TV spigot with followspots swivel head
JPP	Monopod stand for overhead followspot
GT4000	Tripod stand with safety chain - SWL: 130 Kg - max. height: 1030 mm
GT4000S	Tripod stand without safety chain - SWL: 130 Kg - max. height: 1030 mm
GT4000R	Tripod stand with ball head rotation with security chain - SWL: 130 Kg - max. height: 1030 mm
T4000	Followspot mount for Ø50mm pipe (suspension or overhead) - SWL= 100 Kg
GT4000RSM	Tripod stand with ball head rotation with safety chain and SpotMe PAN sensor - SWL: 130 Kg - max. height: 1030 mm
T4000RSM	Followspot mount with ball head rotation and SpotMe PAN sensor - SWL= 100 Kg

• GT4000 / GT4000S / GT4000R

Please refer to the relevant stand technical files for further details.


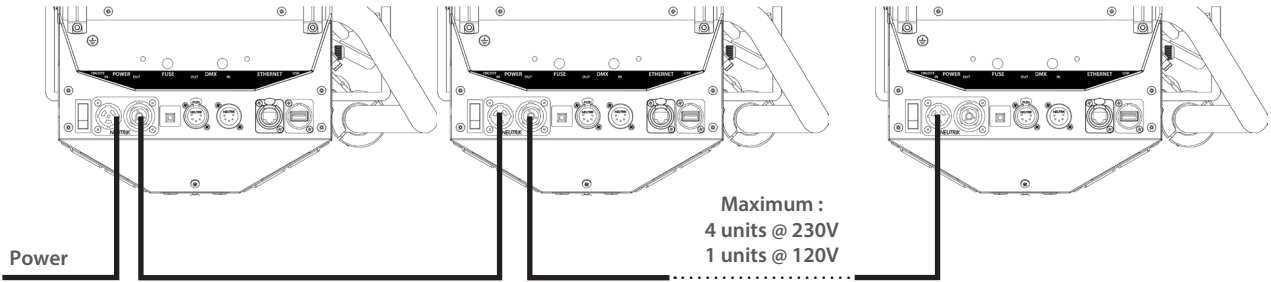



3.2.1 LED source



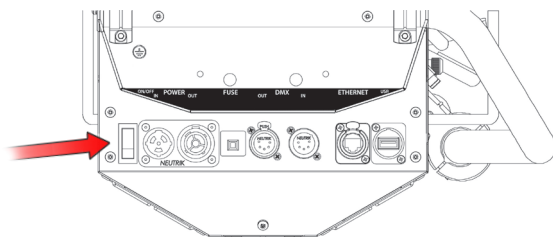
Never touch or scratch the LED surface.
 Cf. 6.1.4 LED cleaning procedure if cleaning is necessary.

3.2.2 Power supply

Power supply			
Voltage	Frequency	Input power	Connectors
100 → 264 V	50-60 Hz	3 A / 660 W @ 230V 5.8 A / 680 W @ 120V 7.1 A / 690 W @ 100V Max: 8 A Standby mode: 8.5 W	Neutrik® powerCON TRUE1 TOP Input : ref. NAC3FPX-TOP
 <ul style="list-style-type: none"> • Class 1 product. This luminaire must be earthed. • Must be connected directly to AC power. Do not connect to dimmer power. • Automatic mains voltage detection. 			
<p>Daisy chain (with delivered power cable):</p>  <p>Maximum : 4 units @ 230V 1 units @ 120V</p>			

Power cable						
Power cable	Connector	Mains plug	Cable type	Cable length	Wiring	
1	Standard version	CEE7/7	3G1.5 H07RNF	3 m 9.8 ft	Live: Brown Neutral: Blue Ground: Yellow/Green	
2	North American version		-	14AWG SJ TYPE (UL/CSA)	1.5 m 4.9 ft	Live: Black Neutral: White Ground: Green
						

Power ON



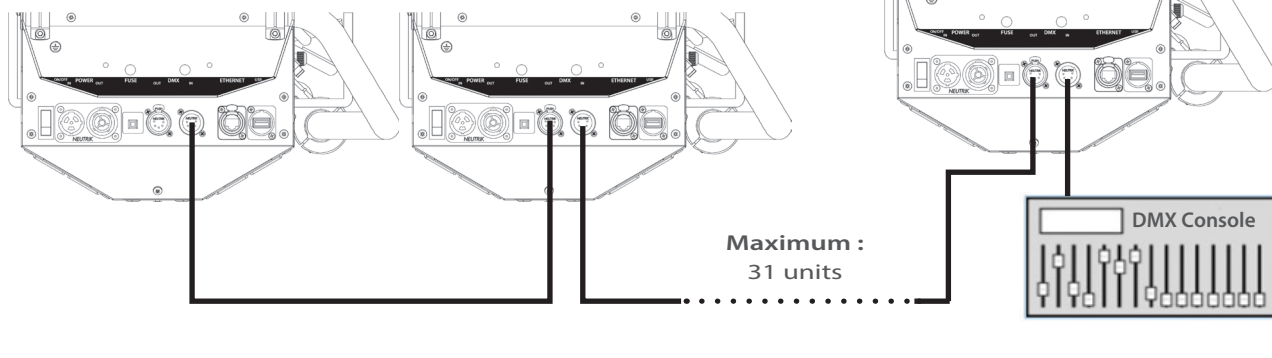
3.3 DATA

3.3.1 DMX 512-A / RDM

Protocol	Input connector	Output connector
USITT DMX 512-A RDM	XLR 5-pin	XLR 5-pin

DATA connectors			
PIN #	DMX	Description	
1	Shielding	Foil & Braided Shield	<p>DMX OUT DMX IN</p>
2	DMX (-)	1 st conductor of 1 st twisted pair	
3	DMX (+)	2 nd conductor of 1 st twisted pair	
4	Not used	1 st conductor of 2 nd twisted pair	
5	Not used	2 nd conductor of 2 nd twisted pair	

Daisy chain:



Protocol	Input connector	Output connector
Art-Net (V3 & V4) sACN DUAL (SACN + Art-Net)	RJ45	-

Web interface

Network switch*

Art-Net sACN

Lighting desk

(*) A 1000 base-T switch that supports IGMP (Internet Group Management Protocol) is necessary if the unit is connected to a network switch to control multiple devices. The usage of non IGMP switch capability can cause erratic behavior of all connected devices.
For further reading: https://en.wikipedia.org/wiki/Internet_Group_Management_Protocol

3.3.3 Ethernet / DMX node

Protocol	Input connector	Output connector
Art-Net (V3 & V4) sACN DUAL (SACN + Art-Net)	RJ45	DMX

NODE

Limited to 15 Fixtures

DMX

Art-Net sACN

Network switch

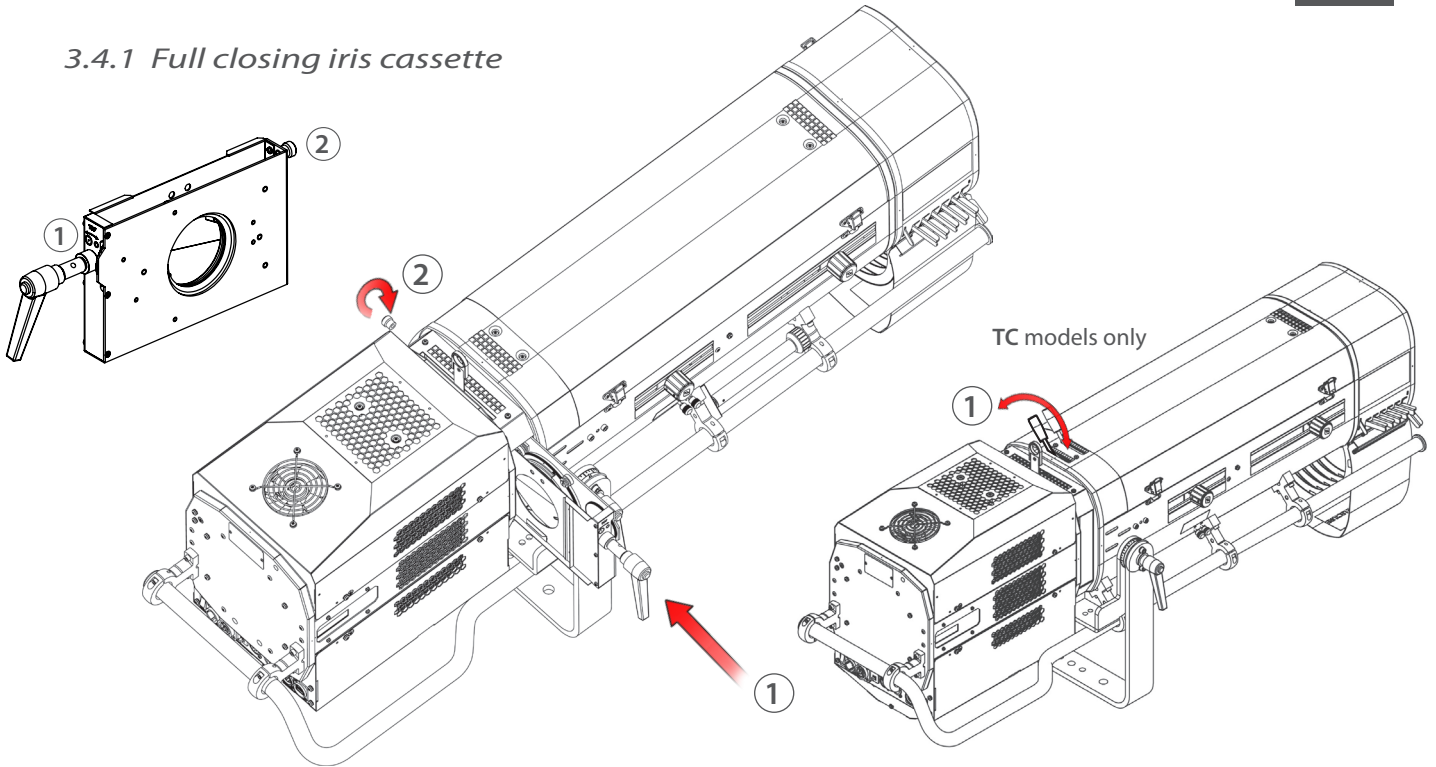
Web interface

Lighting desk

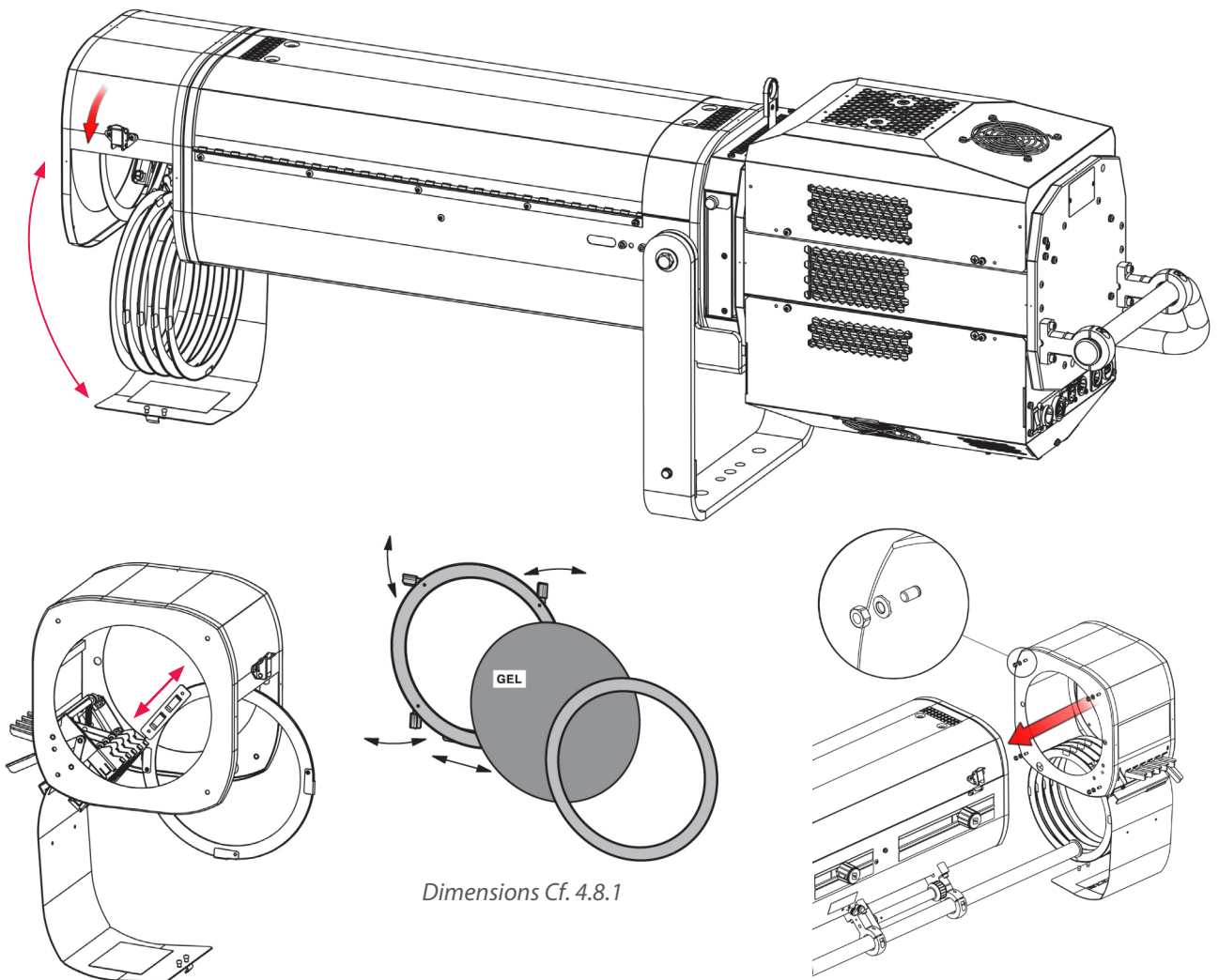
! - Node function must be activated only on the first unit of the daisy chain (see Web Interface section of the manual).
- Web interface is always available regardless of the protocol (Art-Net / sACN) selected.

RJ-LED2 FIRMWARE PLATFORM (Node Mode) full manual is available for download at robertjuliat.com/LED/PDF_PAGE

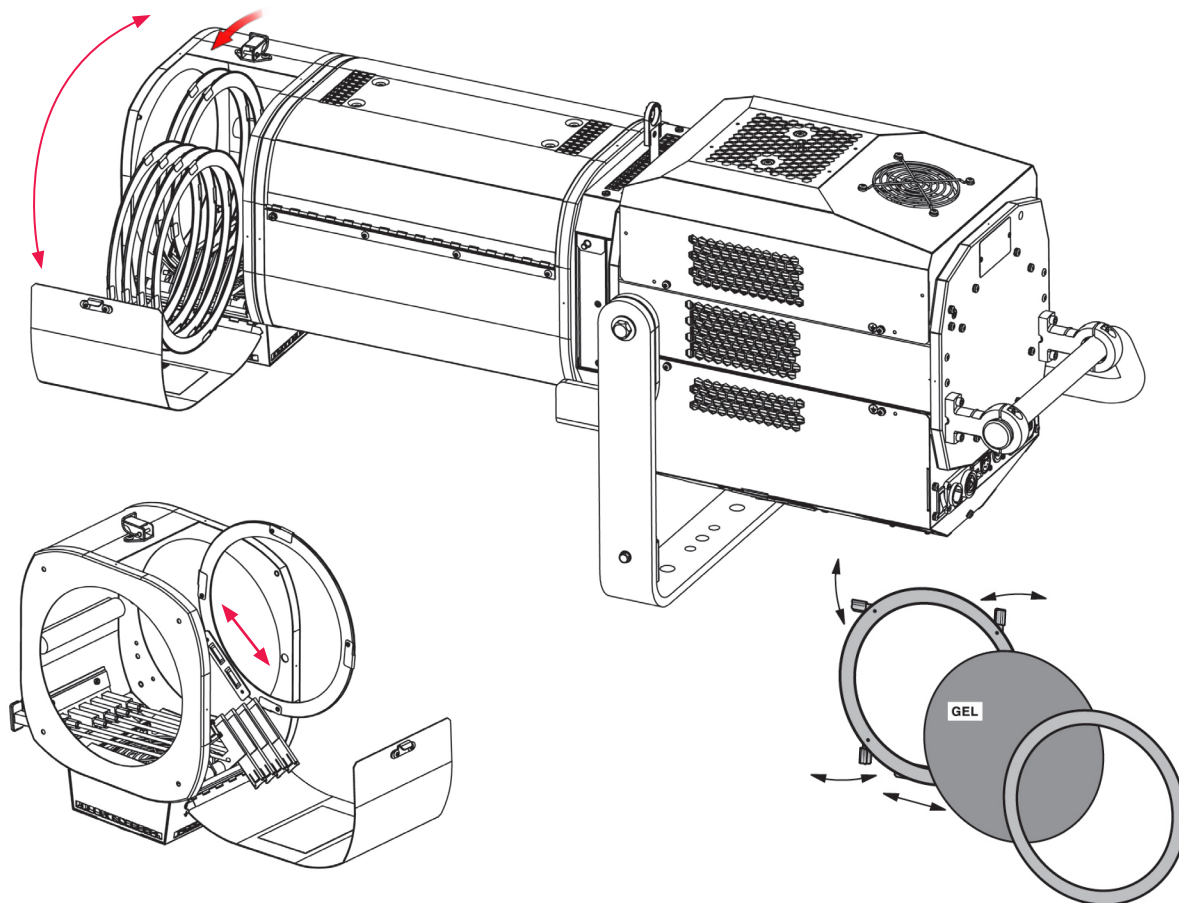
3.4.1 Full closing iris cassette



3.4.2 Colour changer unit - boomerang (only available for OZ)

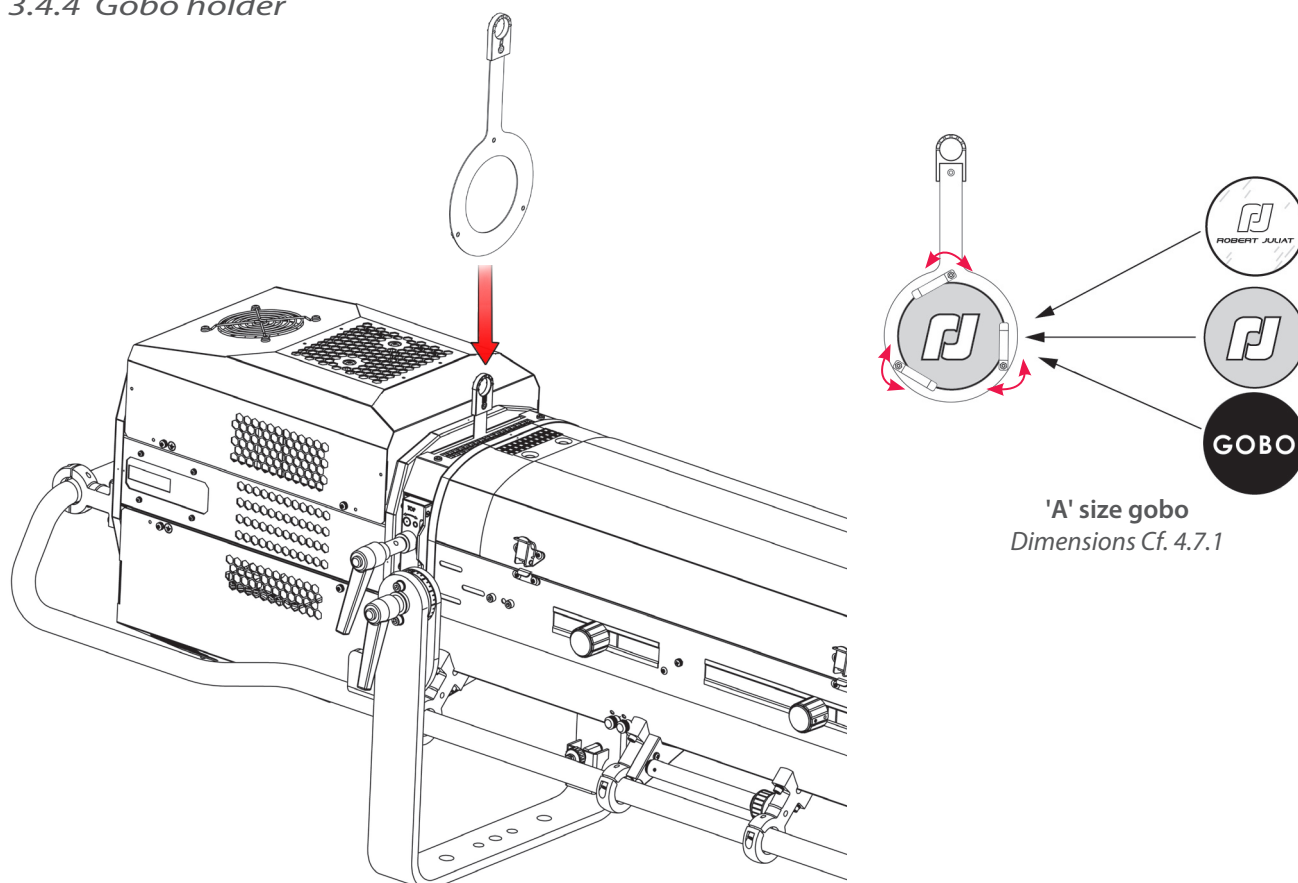


3.4.3 Colour changer unit - push-pull (ALICE)



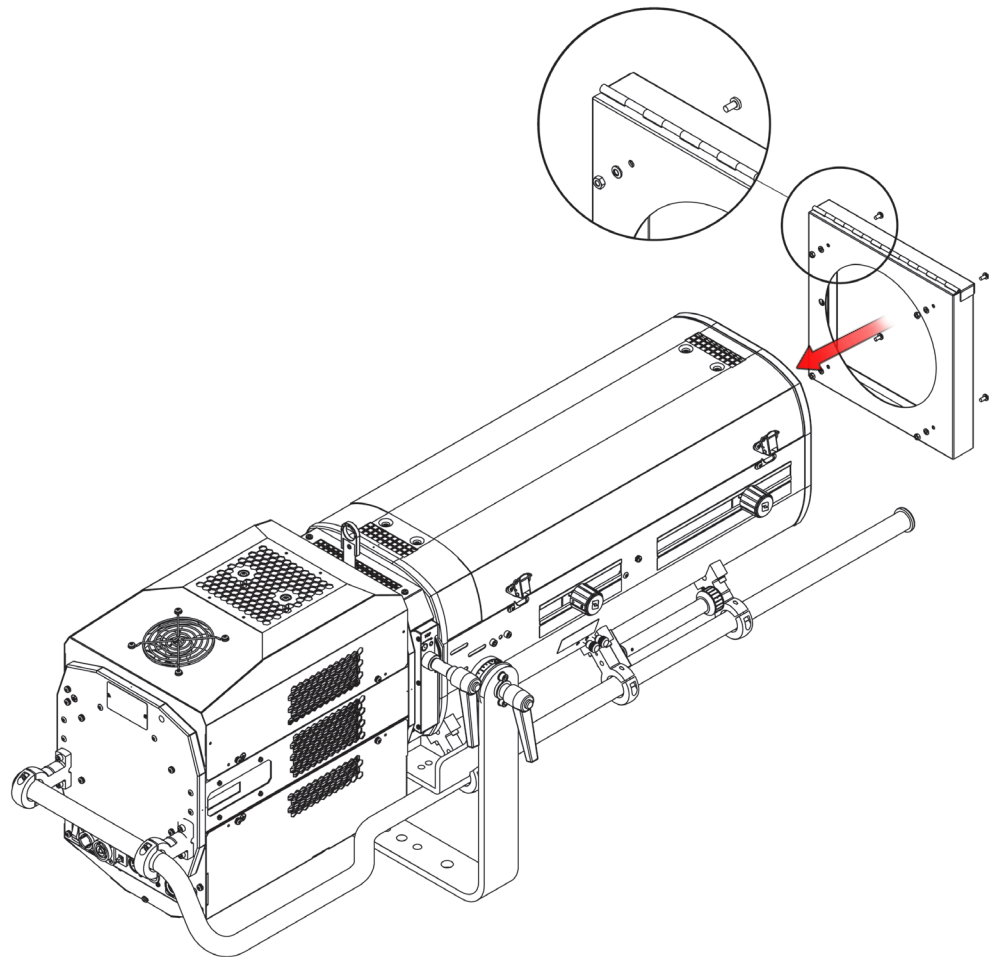
Dimensions Cf. 4.8.1

3.4.4 Gobo holder



'A' size gobo
Dimensions Cf. 4.7.1

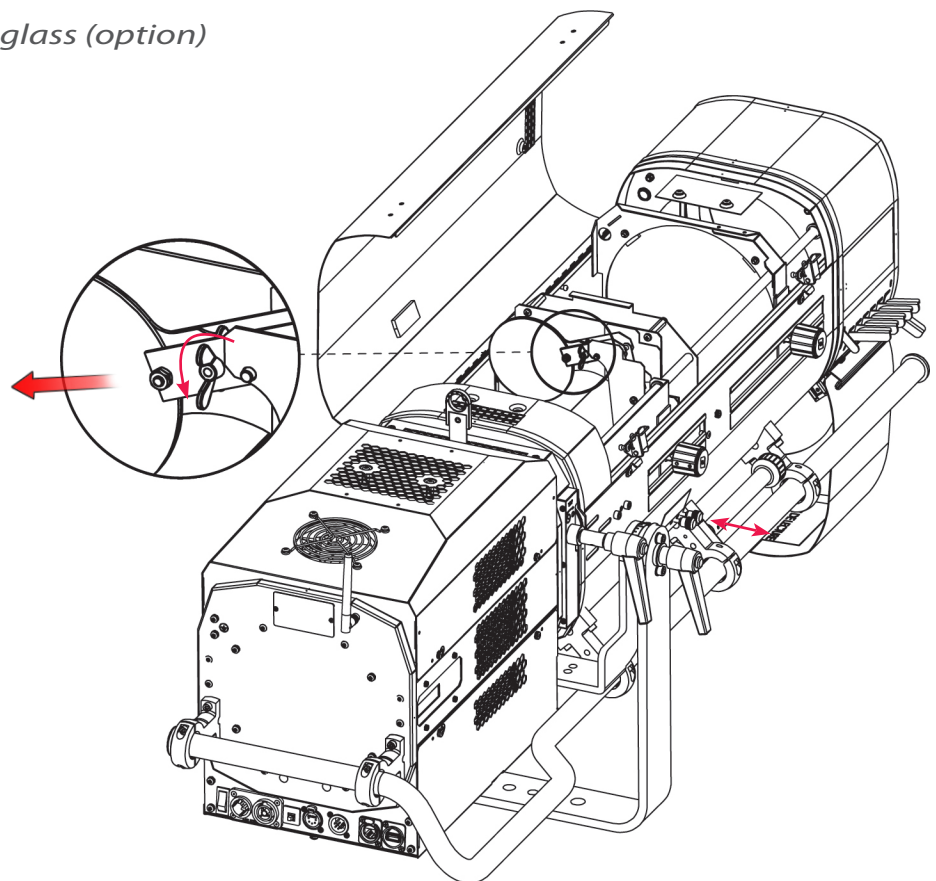
3.4.5 Double slot front cassette for 215 x 215 mm accessories (option)



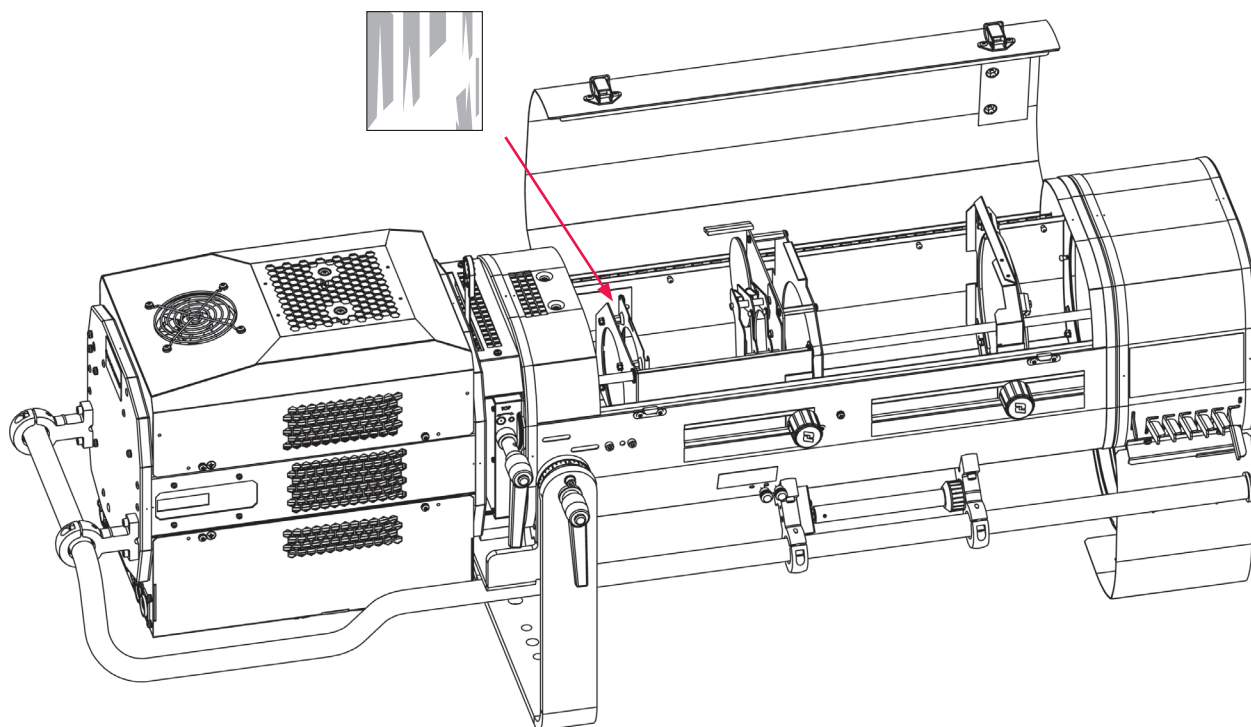
3.4.6 Frosted / CTO glass (option)



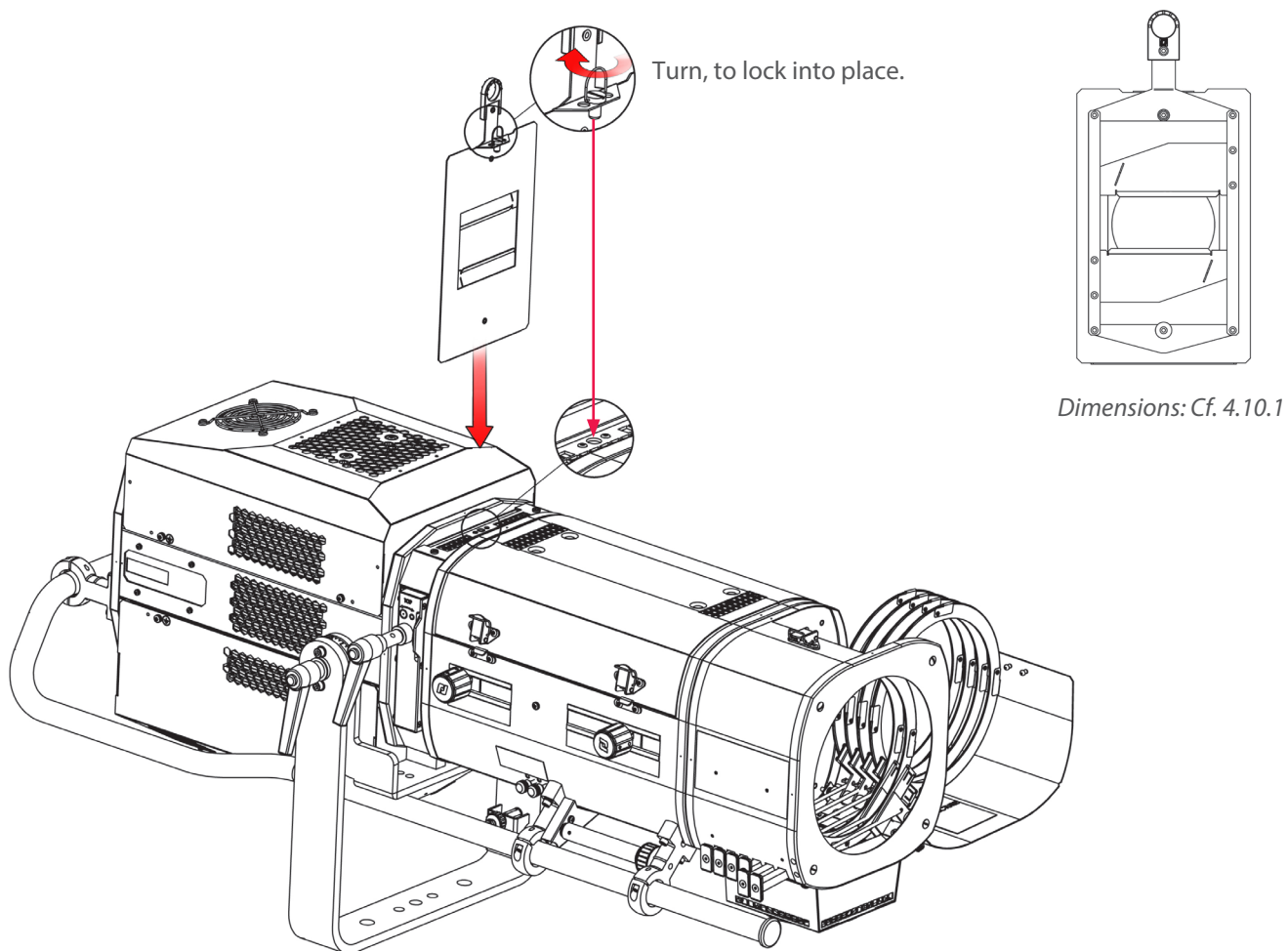
Dimensions: Cf. 4.9.1



3.4.7 Internal glass holder 120 x 120 mm (option)



3.4.8 Horizontal chopper (option)

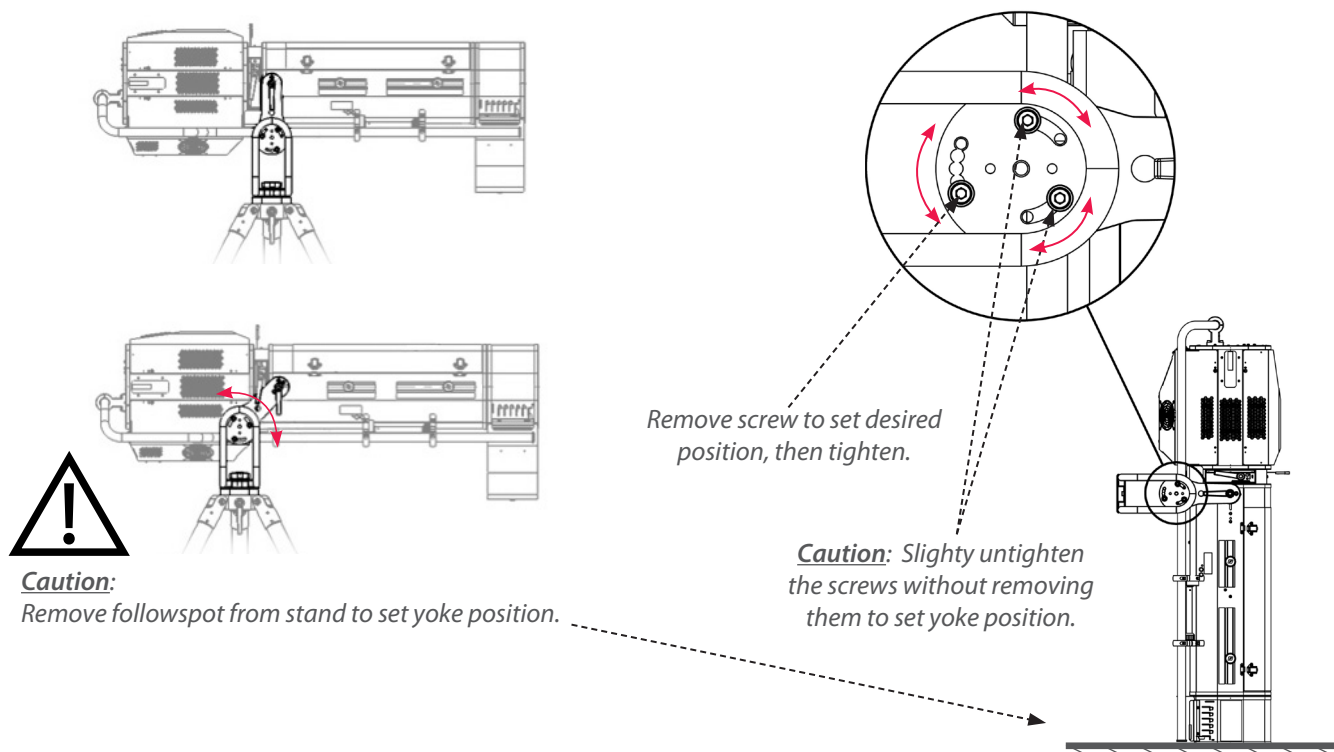


3.4.9 Stands

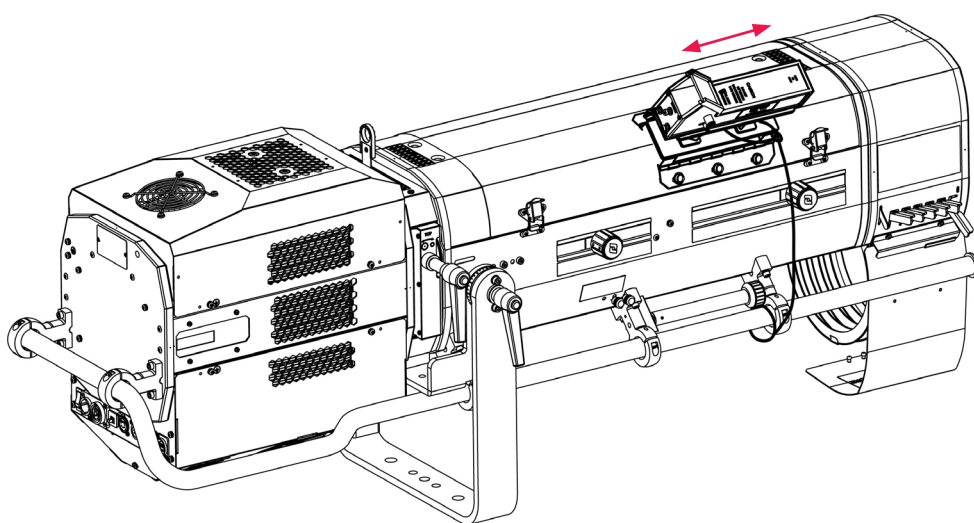
• GT4000 Series : Please refer to the relevant stand technical files for further details.

Stand set-up, refer to Cf. 3.1.5.

3.4.10 Heavy duty adjustable yoke (option)



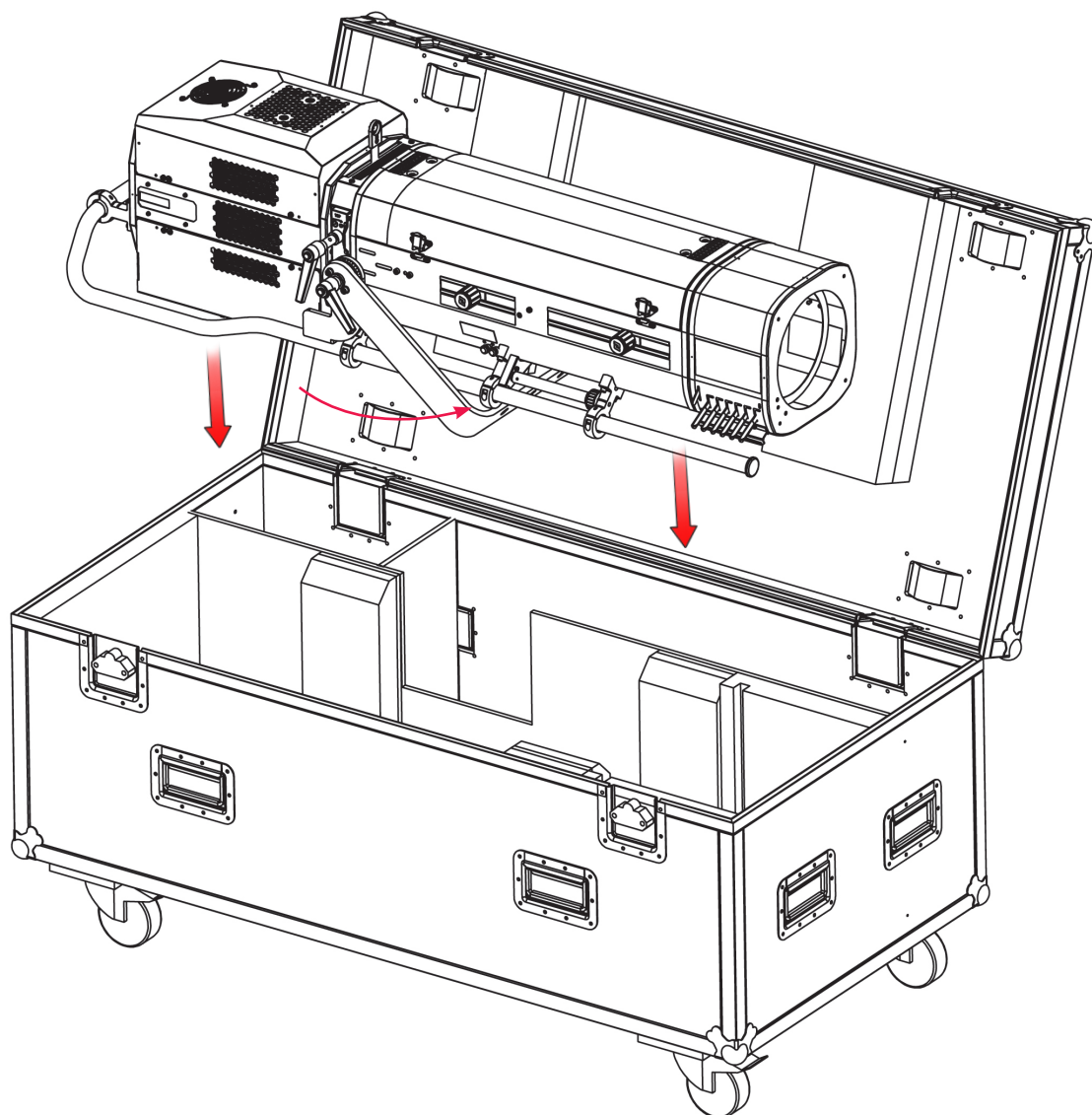
3.4.11 Telrad followspot sight (option)



Followspot sight
guide available @
[www.robertjuliati.com/followspots/
Accessories.html](http://www.robertjuliati.com/followspots/Accessories.html)

Caution: - Do not install the followspot sight on the lamp house to avoid blocking the ventilation vents.
- Secure the sight with a suitable safety cable.

3.4.12 Flight-case (option)



4.1 Light intensity

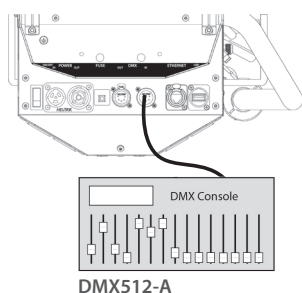
4.1.1 Range

• Dimming

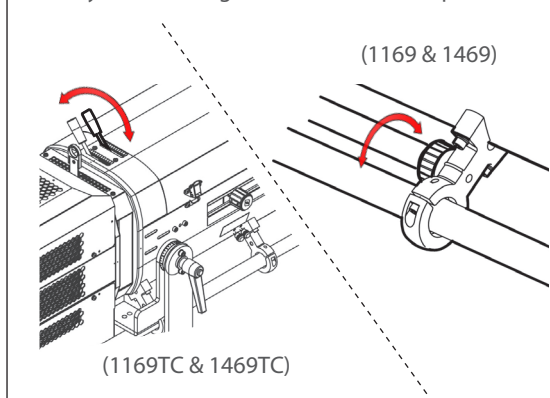


4.1.2 Control

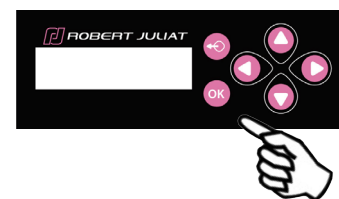
Remotely with DMX512-A protocol



Locally via dimming control handle or top control



Locally via Standalone mode



HTP mode (Highest Takes Precedence):
Light output is the highest value of DMX512 command or local control

Focus mode: when standby screen displayed,
Push Exit or up arrow for 3 secs → Light output = 100% for 1 minute
2x times Exit or up arrow → Light output = 0%

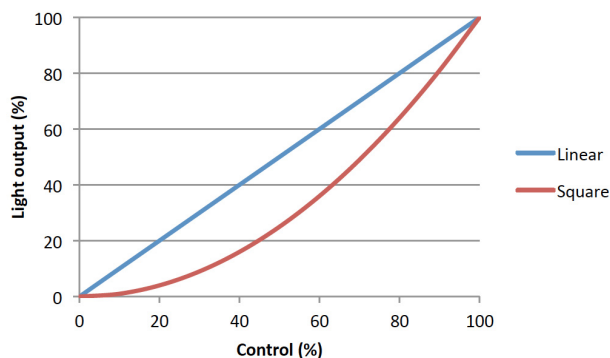
4.1.3 Parameters

4.1.3.1 Dimming resolution - DMX only

Resolution	DMX mode
8 bits – 255 steps	1 - 3 - 5
16 bits – 65 535 steps	2 - 4 - 6

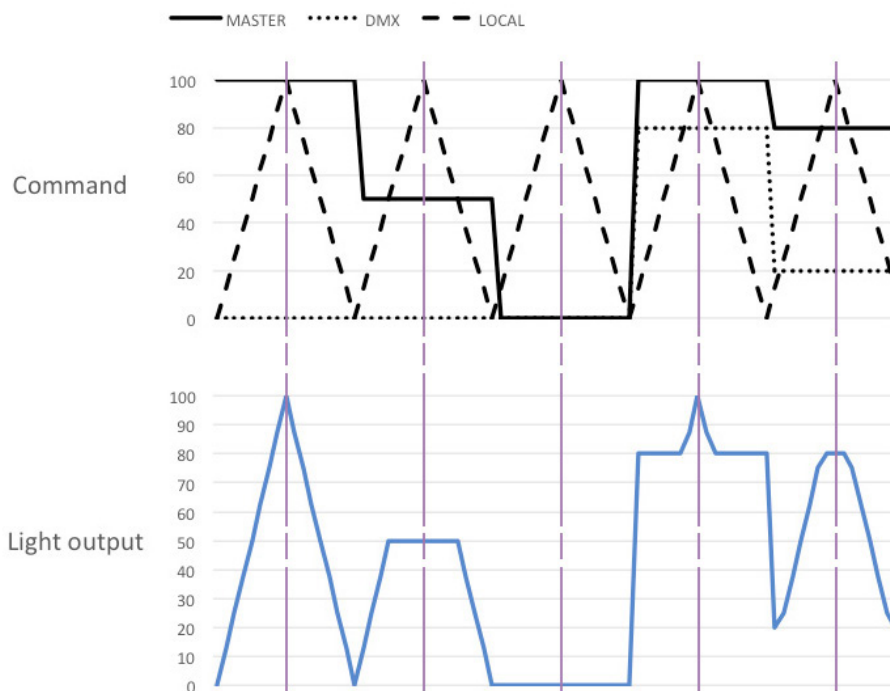
4.1.3.2 Dimming curve

→ selection in SETUP/DIMMER/CURVE menu: LINEAR or SQUARE



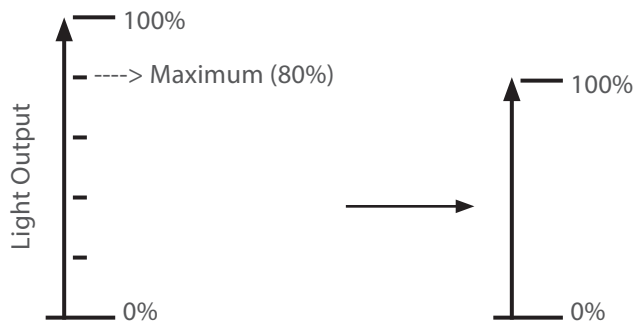
4.1.3.3 Master control

In order to supervise the operator from the console, master control DMX channel can be used. This channel limits the maximum value of the dimmer shutter. By using this function, it is possible to obtain synchronised fades with several spots or to give intensity limits (minimum and maximum) to the operator. Master is only active when DMX is detected.



4.1.3.4 Set maximum position

→ Selection in *SETUP/DIMMER/MAX* menu



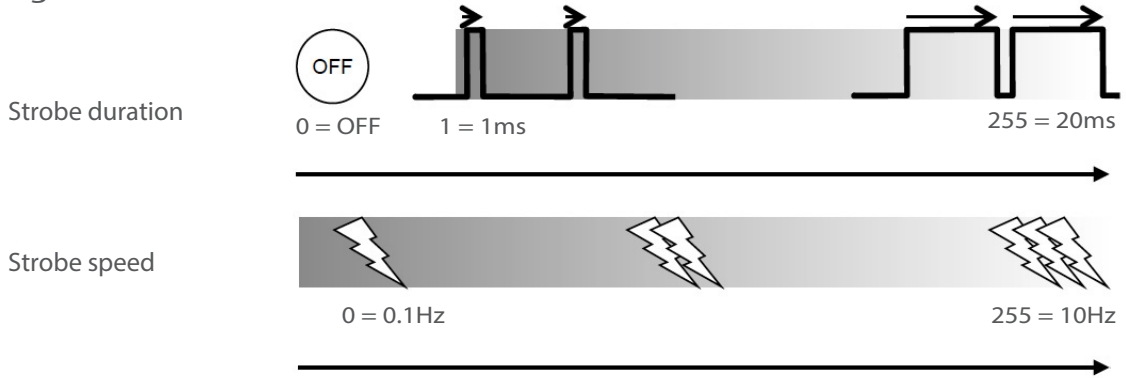
4.1.3.5 Dimming mode

→ Selection in *SETUP / DIMMER / DIMMING MODE* menu

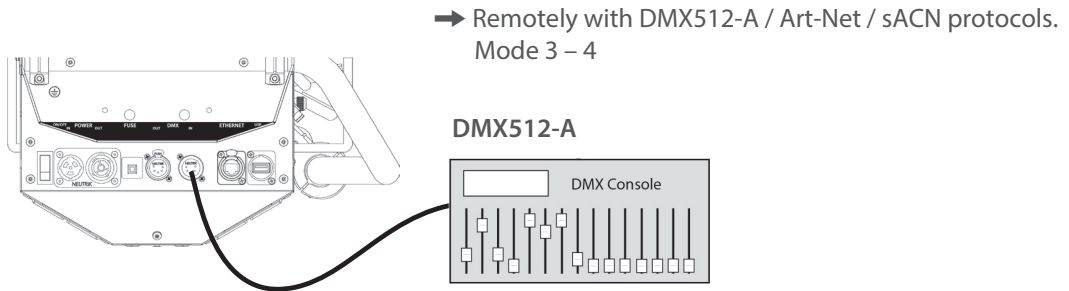
Mode	Result
Without PWM	Flicker-Free, perfect for filming
PWM 1,6 KHz	Very good dimming quality
PWM 3,2 KHz	Good dimming quality
PWM 20 KHz	Good dimming quality (Default Value)

4.2 Strobe

4.2.1 Range

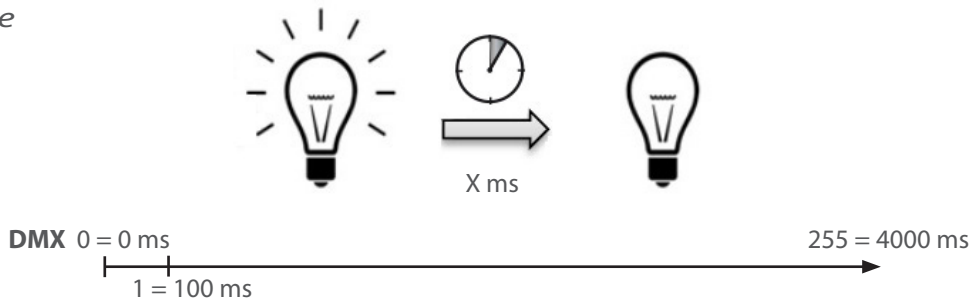


4.2.2 Control



4.3 Response time

4.3.1 Range



4.3.2 Control

DMX512-A

Remotely, with DMX512-A / Art-Net / sACN protocols
Mode 3 – 4 only

RDM compatible device or Web interface

→ Set through RDM protocol or web interface

Mode	Speed
NONE	OFF
SLOW	700 ms
MEDIUM	470 ms
FAST	350 ms
CUSTOM	0 - 4000 ms

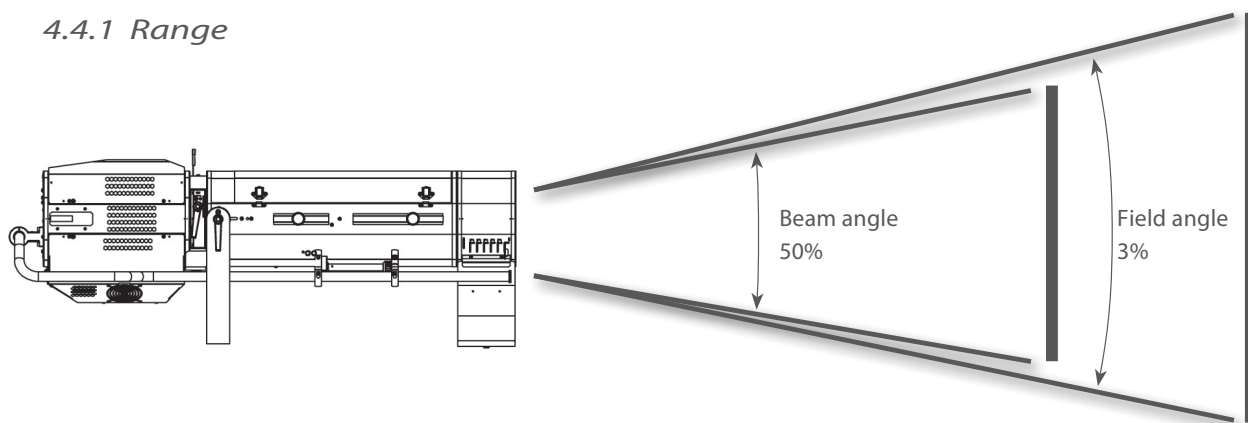
Locally, through the local control

Only when no DMX detected :
→ selection in SETUP/DIMMER/
RESPONSE TIME

Mode	Speed
NONE	OFF
SLOW	700 ms
MEDIUM	470 ms
FAST	350 ms
CUSTOM	0 - 4000 ms

4.4 Beam size adjustment

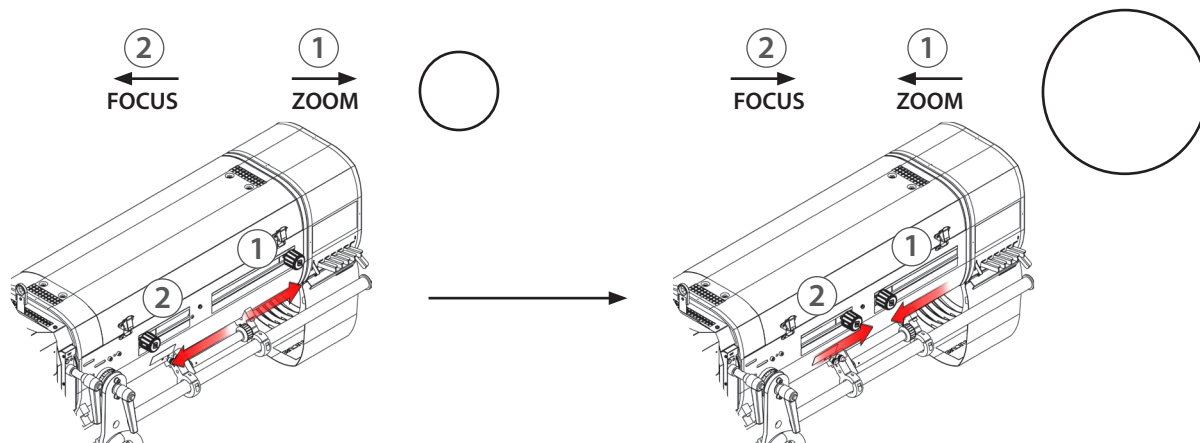
4.4.1 Range



Model	Angles	Minimum angle	Maximum angle
OZ 1169	Beam angle	6.9°	13.4°
	Field angle	7.1°	13.8°

Model	Angles	Minimum angle	Maximum angle
ALICE 1469	Beam angle	12.9°	20.6°
	Field angle	13.2°	21.1°

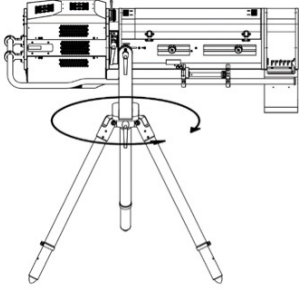
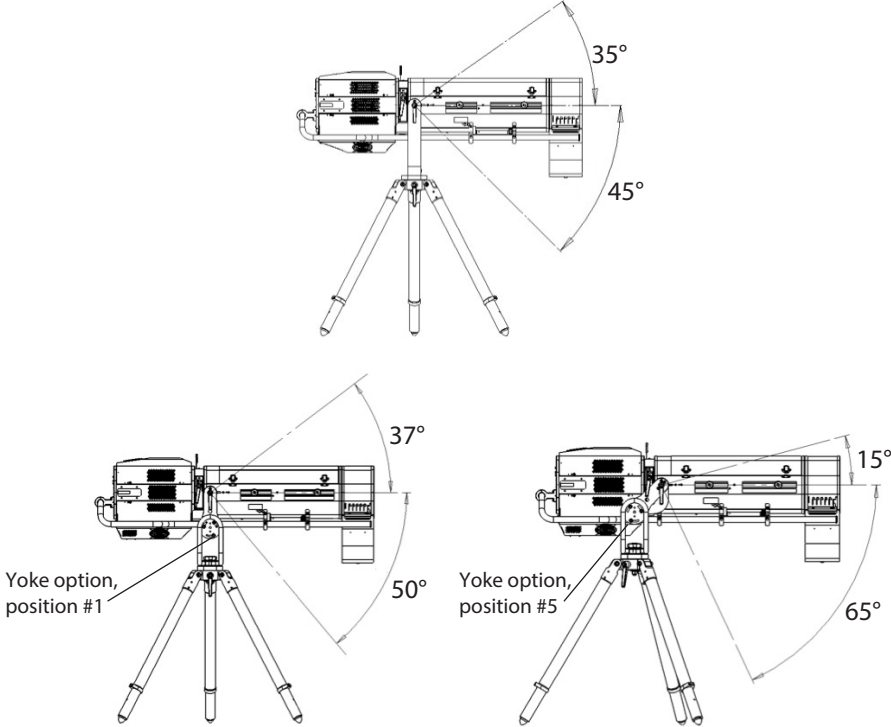
4.4.2 Control



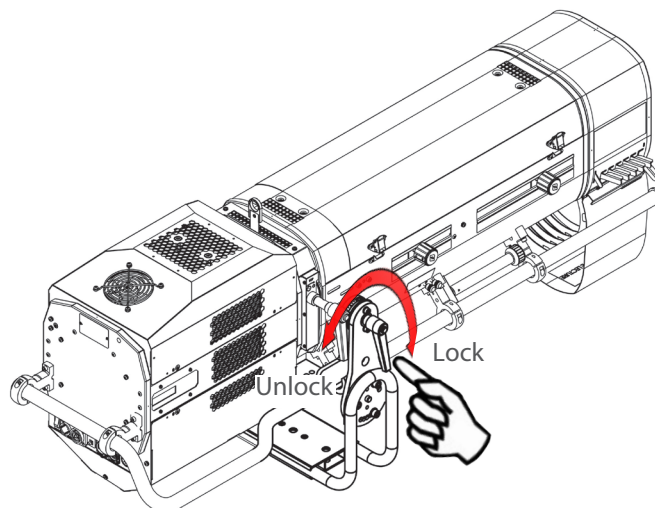
4.5 Pan / Tilt



4.5.1 Range

Function	Range
<p data-bbox="571 320 625 342">PAN</p> 	<p data-bbox="1134 495 1257 517">0 → 360°</p>
<p data-bbox="868 712 922 734">TILT</p> 	

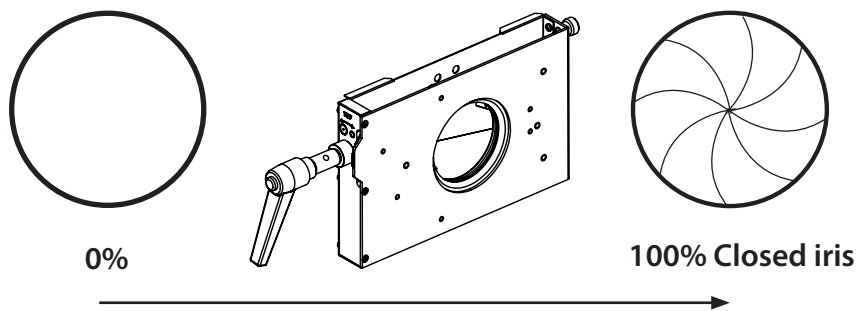
4.5.2 Control



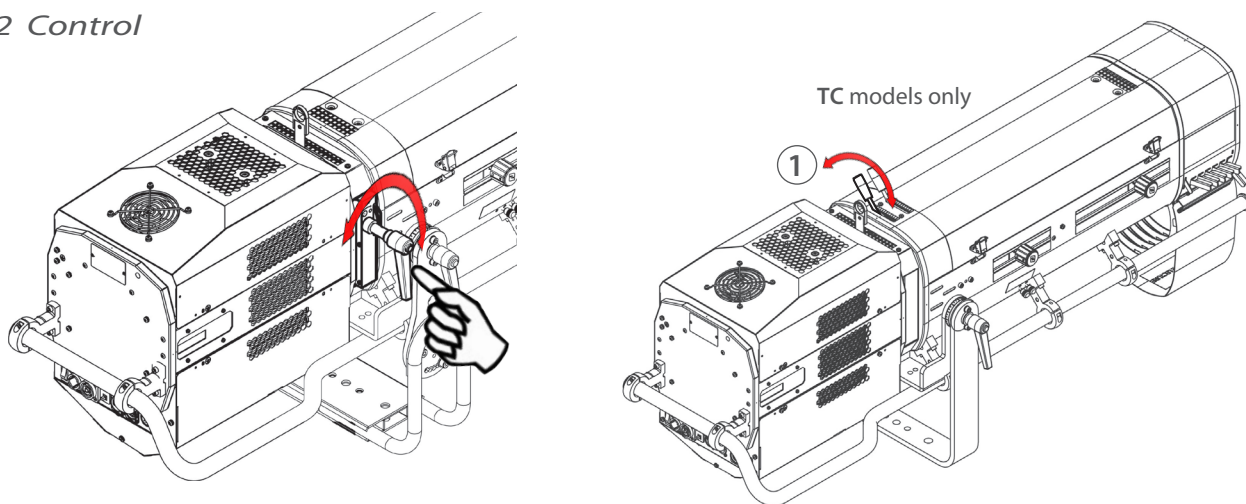
4.6 Iris

4.6.1 Range

• *Irising*



4.6.2 Control

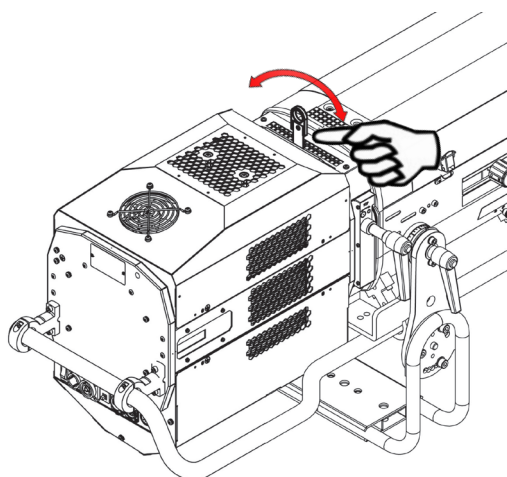


4.7 Gobo

4.7.1 Range

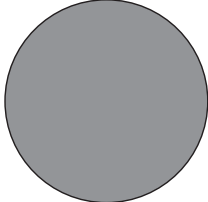
Type	Standard gobo - A size	
Dimensions	<p style="text-align: center;">Ø100 mm</p> <p style="text-align: center;">Ø72 mm Maximum image size</p> <ul style="list-style-type: none"> • Metal • Glass 	
Installation	Cf. section: 3.4.4	

4.7.2 Control

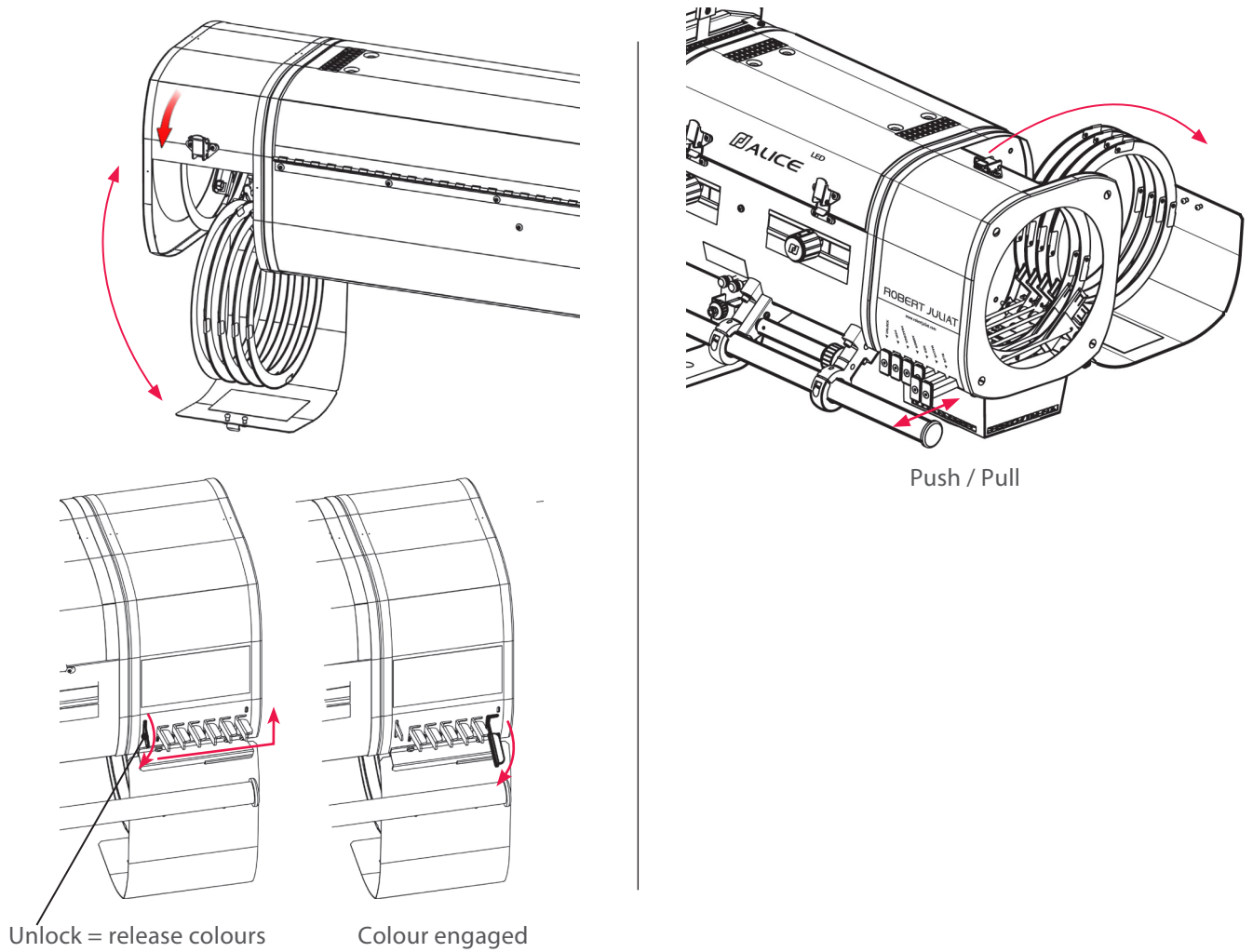


4.8 Colour

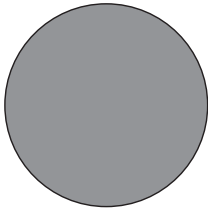
4.8.1 Range

Type	Coloured gel filter
Dimension	$\text{\O}210 \text{ mm}$ 
Installation	Cf. section: 3.4.2 & section 3.4.3 Place dark colours towards the front end.

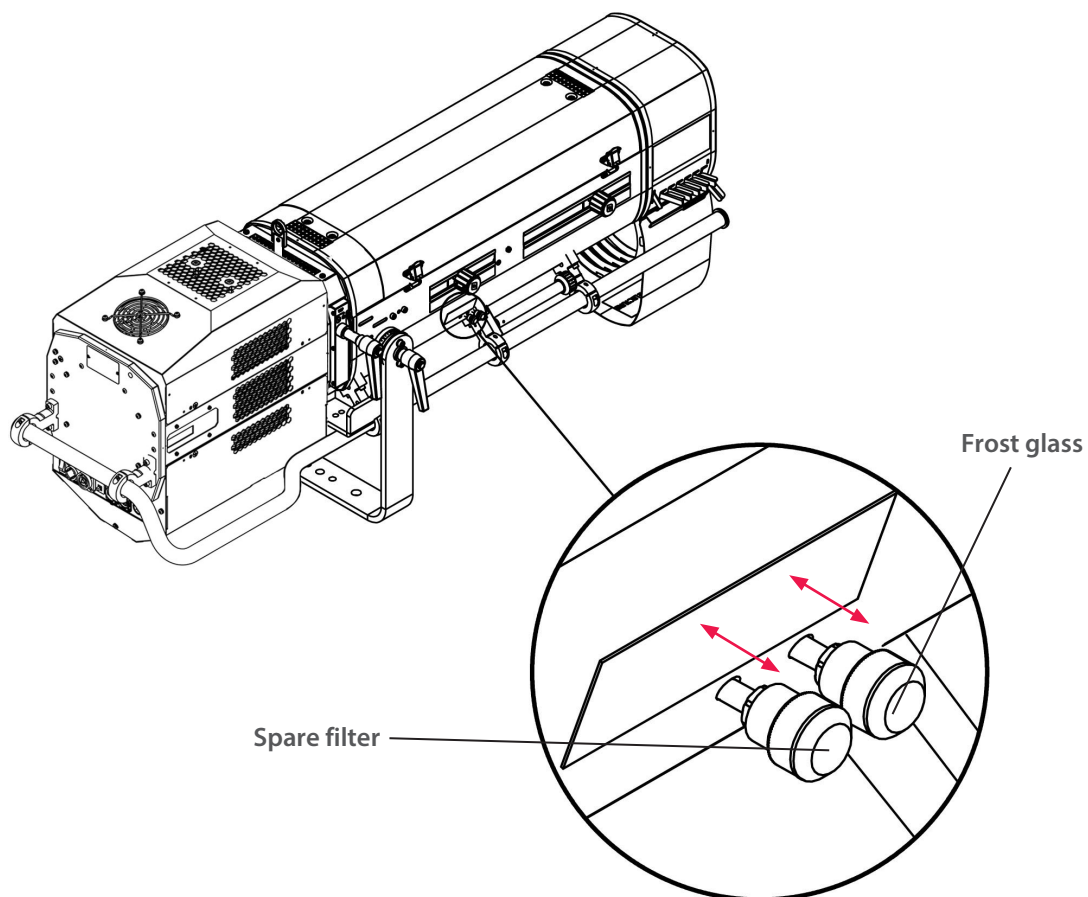
4.8.2 Control



4.9.1 Range

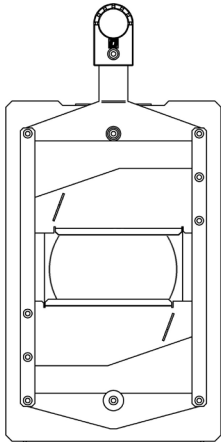
Type	Frost or CTO glass
Dimension	<p>Ø97 mm</p> 
Installation	Cf. section: 3.4.6

4.9.2 Control

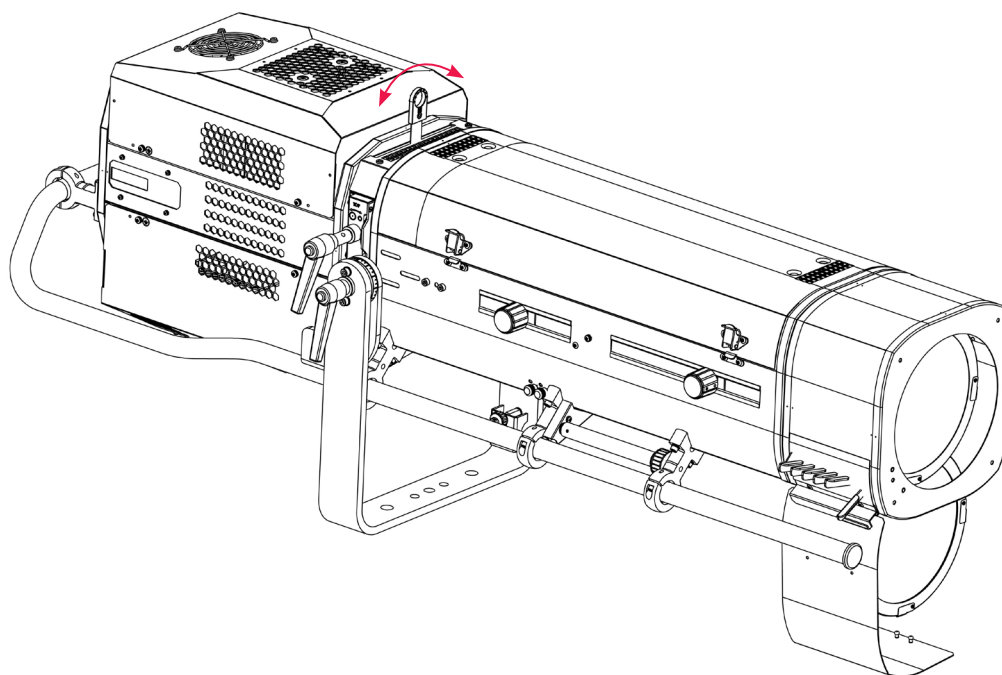


4.10 Horizontal chopper

4.10.1 Range

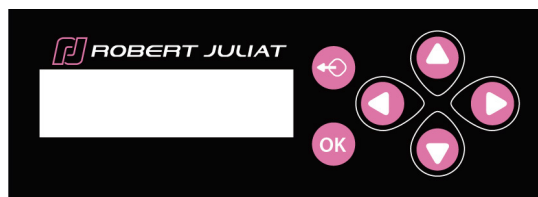
Type	Accessory option: PG80 chopper kit
Dimension	 Ø80 mm
Installation	Cf. section: 3.4.8

4.10.2 Control



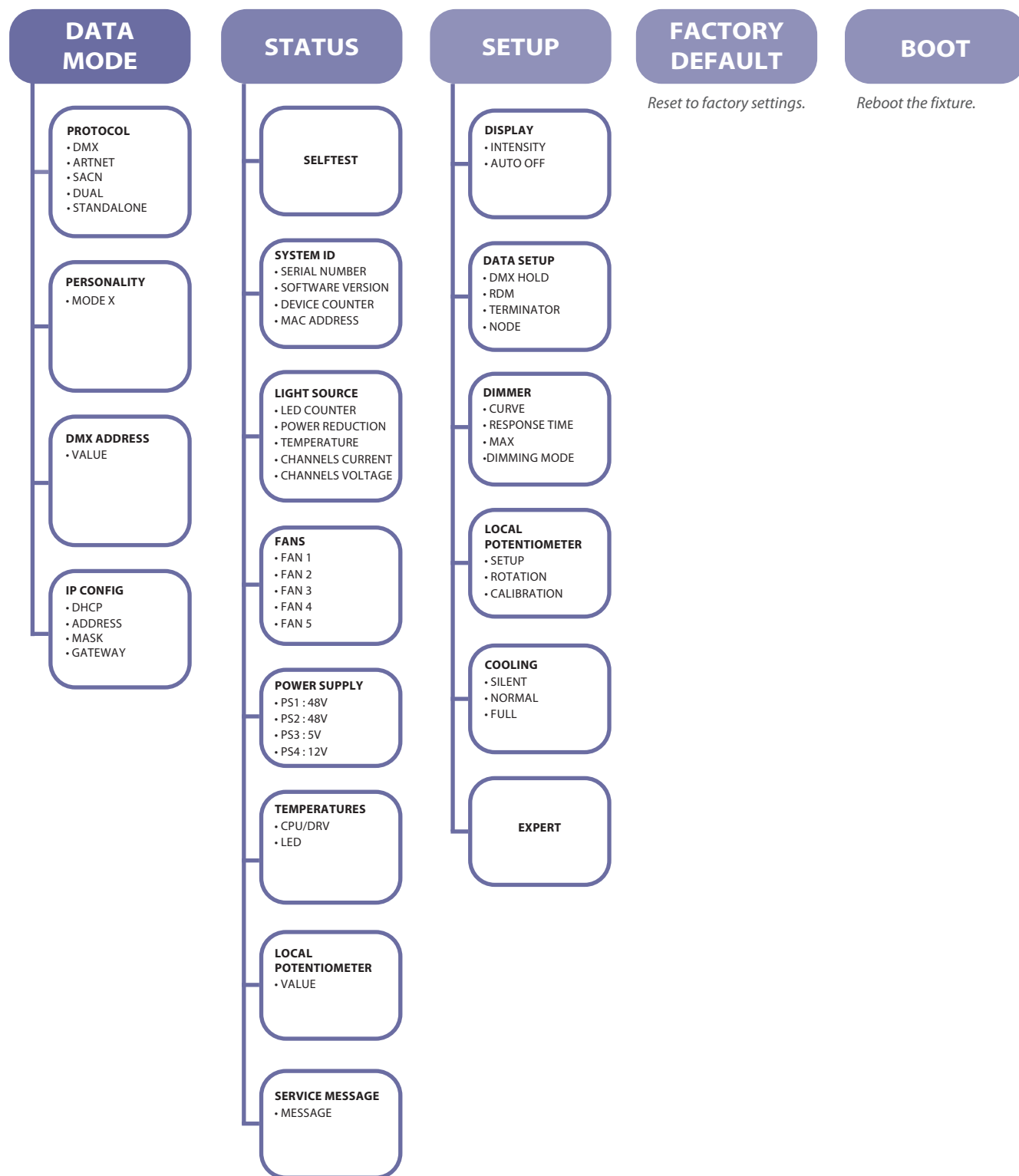
5.1 Local display and controls

5.1.1 Display



Function	
	Exit the current menu option and/or go back
	Press for 3 secs to enter Focus mode
	Enter the current menu option and/or valid
	Scroll through menus and/or Increase data value
	Scroll through menus and/or Decrease data value
	Scroll through menus and/or Increase data value
	Scroll through menus and/or Decrease data value

5.1.2 Menu



5.1.3 Parameters

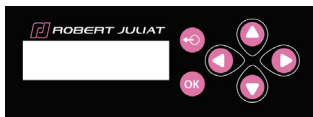
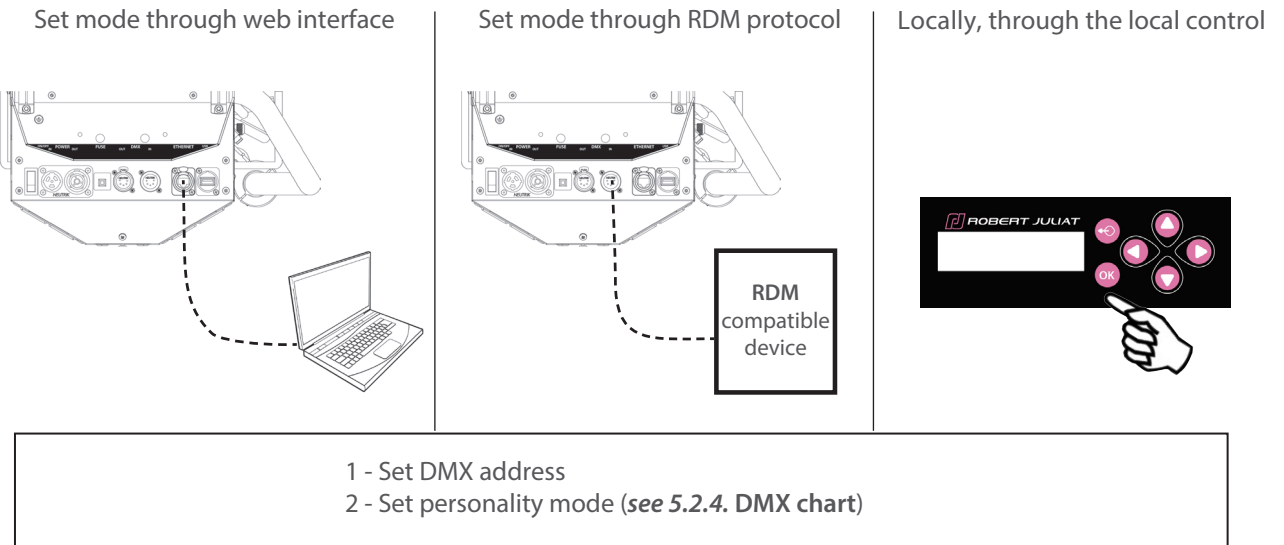
→ Selection in *SETUP/DISPLAY MODE* menu

Display	Mode	Description
	Always ON	Main display (home screen) always ON
	Intensity	Adjust the intensity of the screen To change value, press buttons : press OK to validate
	Auto-OFF	Main display OFF after 20 seconds

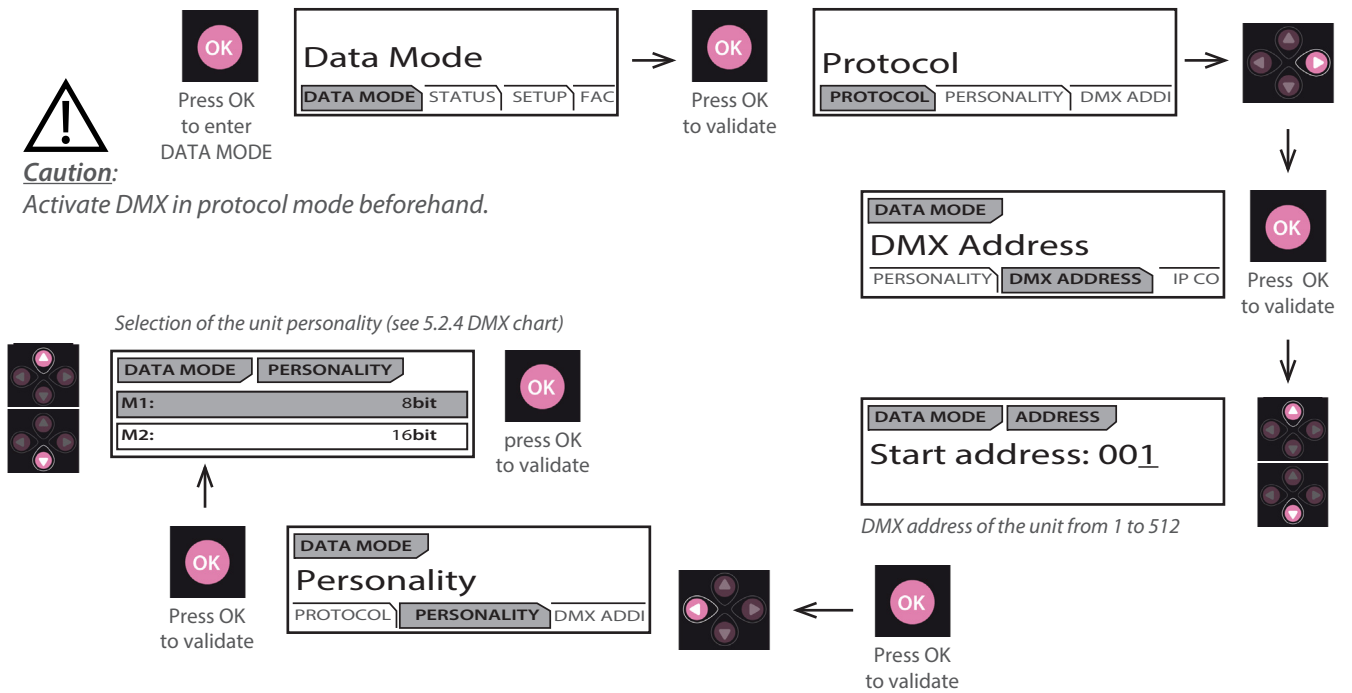
5.2.1 Protocol

E1.11 – 2008, USITT DMX512-A

5.2.2 Configuration

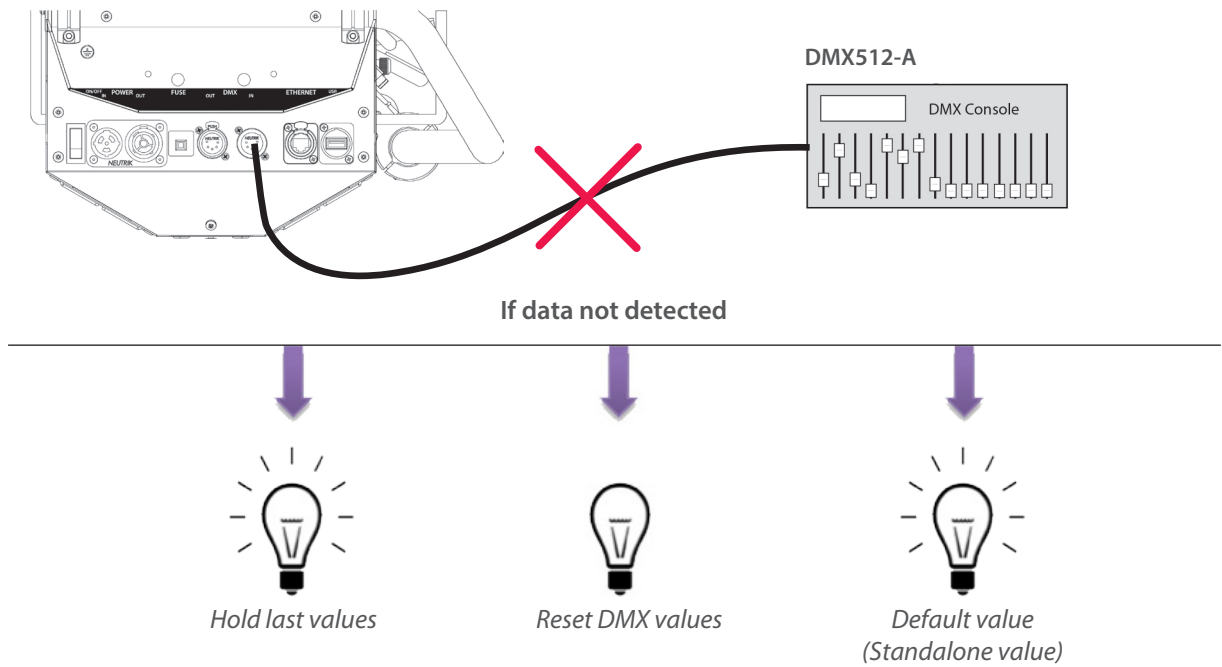


Caution:
Activate DMX in protocol mode beforehand.



5.2.3.1 DMX Hold

→ Set through RDM protocol, Web interface or local control



DMX Channel	Mode 1: Dimmer8B	Mode 2: Dimmer16B	Mode 3: Profile8B	Mode 4: Profile16b	Mode 5: Followspot8b	Mode 6: Followspot16b
1	Dimmer	Dimmer	Dimmer	Dimmer	Dimmer	Dimmer
2		Dimmer fine	Strobe duration	Dimmer fine	Master	Dimmer fine
3			Strobe speed	Strobe duration	Strobe duration	Master
4			Response time	Strobe speed	Strobe speed	Master fine
5			Control mode	Response time	Response time	Strobe duration
6				Control mode	Control mode	Strobe speed
7						Response time
8						Control mode

5.2.5 DMX ranges

5.2.5.1 Strobe duration

Range min	Range max	Function
0	0	Strobe OFF
1	255	Strobe ON - 1 ms → 20 ms

5.2.5.2 Strobe speed

Range min	Range max	Function
0	255	Frequency: 0,1 Hz → 10 Hz

5.2.5.3 Response time

Range min	Range max	Function
0	0	OFF
1	255	Response time: 0,20 ms → 4 s

5.2.5.4 Control mode

Range min	Range max	Function
0	0	
1	10	RDM disabled
11	20	RDM enabled
21	100	not used
101	110	Cooling mode: Silent
111	120	Cooling mode: Normal
121	130	Cooling mode: Full power
131	140	Front Ext disable
141	150	Front Ext enable
151	255	not used

Function activated after 5 seconds - need to go back to zero to activate second function.

5.3.1 Protocol

ANSI E1.20 – 2010 / ANSI E1.37 - 1

For more information about RDM protocol: <http://www.rdmprotocol.org/>

5.3.2 Functions

PID	Description	Standard	Get	Set	Queued Message	Ack_Timer	VERSION 4.00
Network Management							
00 01	DISCOVERY_UNIQUE_BRANCH	E1.20					✓
00 02	DISCOVERY_MUTE	E1.20		✓			✓
00 03	DISCOVERY_UNMUTE	E1.20		✓			✓
00 15	COMMUNICATION_STATUS	E1.20	✓	✓			✓
Status Collection							
00 20	QUEUED_MESSAGE	E1.20	✓				✓
00 30	STATUS_MESSAGES	E1.20	✓				✓
00 31	STATUS_ID_DESCRIPTION	E1.20	✓				✓
00 32	CLEAR_STATUS_ID	E1.20		✓			✓
00 33	QUEUED_MESSAGE_SENSOR_SUBSCRIBE	E1.20-2023	✓	✓			
RDM Information							
00 50	SUPPORTED_PARAMETERS	E1.20	✓				✓
00 51	PARAMETER_DESCRIPTION	E1.20	✓				✓
Product Information							
00 60	DEVICE_INFO	E1.20	✓			✓	✓
00 70	PRODUCT_DETAIL_ID_LIST	E1.20	✓				✓
00 80	DEVICE_MODEL_DESCRIPTION	E1.20	✓				✓
00 81	MANUFACTURER_LABEL	E1.20	✓				✓
00 82	DEVICE_LABEL	E1.20	✓	✓	✓	✓	✓
00 90	FACTORY_DEFAULTS	E1.20	✓	✓		✓	✓
00 C0	SOFTWARE_VERSION_LABEL	E1.20	✓			✓	✓
00 C2	BOOT_SOFTWARE_VERSION_LABEL	E1.20	✓				✓
DMX512 Setup							
00 E0	DMX512_PERSONALITY	E1.20	✓	✓	✓	✓	✓
00 E1	DMX512_PERSONALITY_DESCRIPTION	E1.20	✓				✓
00 F0	DMX512_STARTING_ADDRESS	E1.20	✓	✓	✓	✓	✓
01 20	SLOT_INFO	E1.20	✓				✓
01 21	SLOT_DESCRIPTION	E1.20	✓				✓
Sensors							
02 00	SENSOR_DEFINITION	E1.20	✓				✓
02 01	SENSOR_VALUE	E1.20	✓				✓
Dimmer Settings							
03 40	DIMMER_INFO	E1.37-1	✓				✓
03 42	MAXIMUM_LEVEL	E1.37-1	✓	✓	✓	✓	✓
03 43	CURVE	E1.37-1	✓	✓	✓	✓	✓
03 44	CURVE_DESCRIPTION	E1.37-1	✓				✓
03 45	OUTPUT_RESPONSE_TIME	E1.37-1	✓	✓	✓	✓	✓
03 46	OUTPUT_RESPONSE_TIME_DESCRIPTION	E1.37-1	✓				✓
03 47	MODULATION_FREQUENCY	E1.37-1	✓	✓	✓	✓	✓
03 48	MODULATION_FREQUENCY_DESCRIPTION	E1.37-1	✓				✓
Power / Lamp Settings							
04 00	DEVICE_HOURS	E1.20	✓				✓
04 01	LAMP_HOURS	E1.20	✓	✓			✓
Display Settings							
05 01	DISPLAY_LEVEL	E1.20	✓	✓	✓	✓	✓

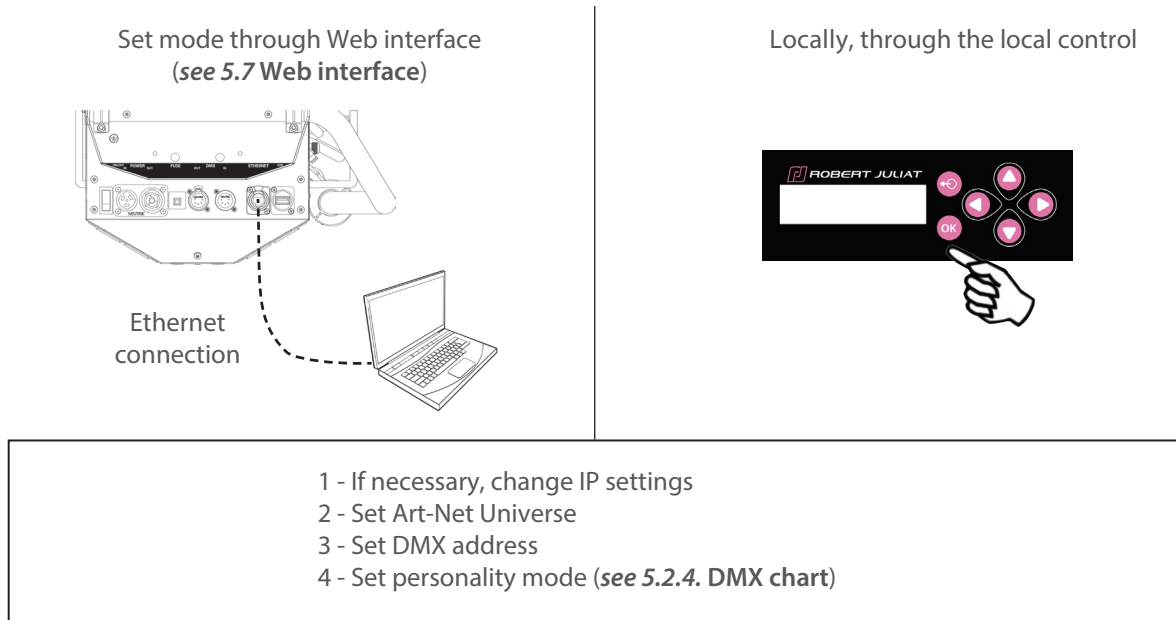
PID	Description	Standard	Get	Set	Queued_Message	Ack_Timer	SULLY 4.00
Control							
10	00	IDENTIFY_DEVICE	E1.20	✓	✓	✓	✓
10	01	RESET_DEVICE	E1.20		✓	✓	✓
10	20	PERFORM_SELFTEST	E1.20	✓	✓	✓	✓
10	21	SELF_TEST_DESCRIPTION	E1.20				✓
RDMnet Management							
07	00	LIST_INTERFACES	E1.37-2	✓			✓
07	01	INTERFACE_LABEL	E1.37-2	✓			✓
07	02	INTERFACE_HARDWARE_ADRESS_TYPE1	E1.37-2	✓			✓
07	03	IPV4_DHCP_MODE	E1.37-2	✓	✓	✓	✓
07	05	IPV4_CURRENT_ADDRESS	E1.37-2	✓		✓	✓
07	06	IPV4_STATIC_ADDRESS	E1.37-2	✓	✓		✓
07	09	INTERFACE_APPLY_CONFIGURATION	E1.37-2		✓		✓
07	0A	IPV4_DEFAULT_ROUTE	E1.37-2	✓	✓	✓	✓
07	0B	DNS_IPV4_NAME_SERVER	E1.37-2	✓	✓	✓	✓
PID Manufacturer							
85	58	SELFTEST_RESULT	E1.20	✓			✓
85	59	CURRENT_IP_ADDRESS	E1.20	✓		✓	✓
85	5A	CURRENT_NETMASK	E1.20	✓		✓	✓
85	5B	CURRENT_DRIVER_STATUS	E1.20	✓		✓	✓
85	5C	CUSTOM_RESPONSE_TIME_DESCRIPTION	E1.20	✓			✓
85	5D	CUSTOM_RESPONSE_TIME_VALUE	E1.20	✓	✓	✓	✓
85	60	DATA_MODE_DESCRIPTION	E1.20	✓			✓
85	61	DATA_MODE_VALUE	E1.20	✓	✓	✓	✓
85	62	STANDALONE_VALUE_DESCRIPTION	E1.20	✓			✓
85	63	STANDALONE_VALUE	E1.20	✓	✓	✓	✓
85	64	SACN_UNIVERSE_VALUE_DESCRIPTION	E1.20	✓			✓
85	65	SACN_UNIVERSE_VALUE	E1.20	✓	✓	✓	✓
85	66	ARTNET_UNIVERSE_VALUE_DESCRIPTION	E1.20	✓			✓
85	67	ARTNET_UNIVERSE_VALUE	E1.20	✓	✓	✓	✓
85	68	SERIAL_DESCRIPTION	E1.20	✓			✓
85	69	SERIAL	E1.20	✓	✓	✓	✓
85	6A	DMX_HOLD_DESCRIPTION	E1.20	✓			✓
85	6B	DMX_HOLD	E1.20	✓	✓	✓	✓
85	6C	COMMAND_LOCK_DESCRIPTION	E1.20	✓			✓
85	6D	COMMAND_LOCK_VALUE	E1.20	✓	✓	✓	✓
85	6E	DRIVER_CALIBRATE_DESCRIPTION	E1.20	✓			✓
85	6F	DRIVER_CALIBRATE_VALUE	E1.20	✓	✓	✓	✓
85	70	NODE_DESCRIPTION	E1.20	✓			✓
85	71	NODE_VALUE	E1.20	✓	✓	✓	✓
85	72	TERMINATOR_DESCRIPTION	E1.20	✓			✓
85	73	TERMINATOR	E1.20	✓	✓	✓	✓
85	74	DMX_ERROR_COUNTER_DESCRIPTION	E1.20	✓			✓
85	75	DMX_ERROR_COUNTER	E1.20	✓	✓	✓	✓

5.4.1 Protocol

Artistic Licence Art-Net v3 & v4.

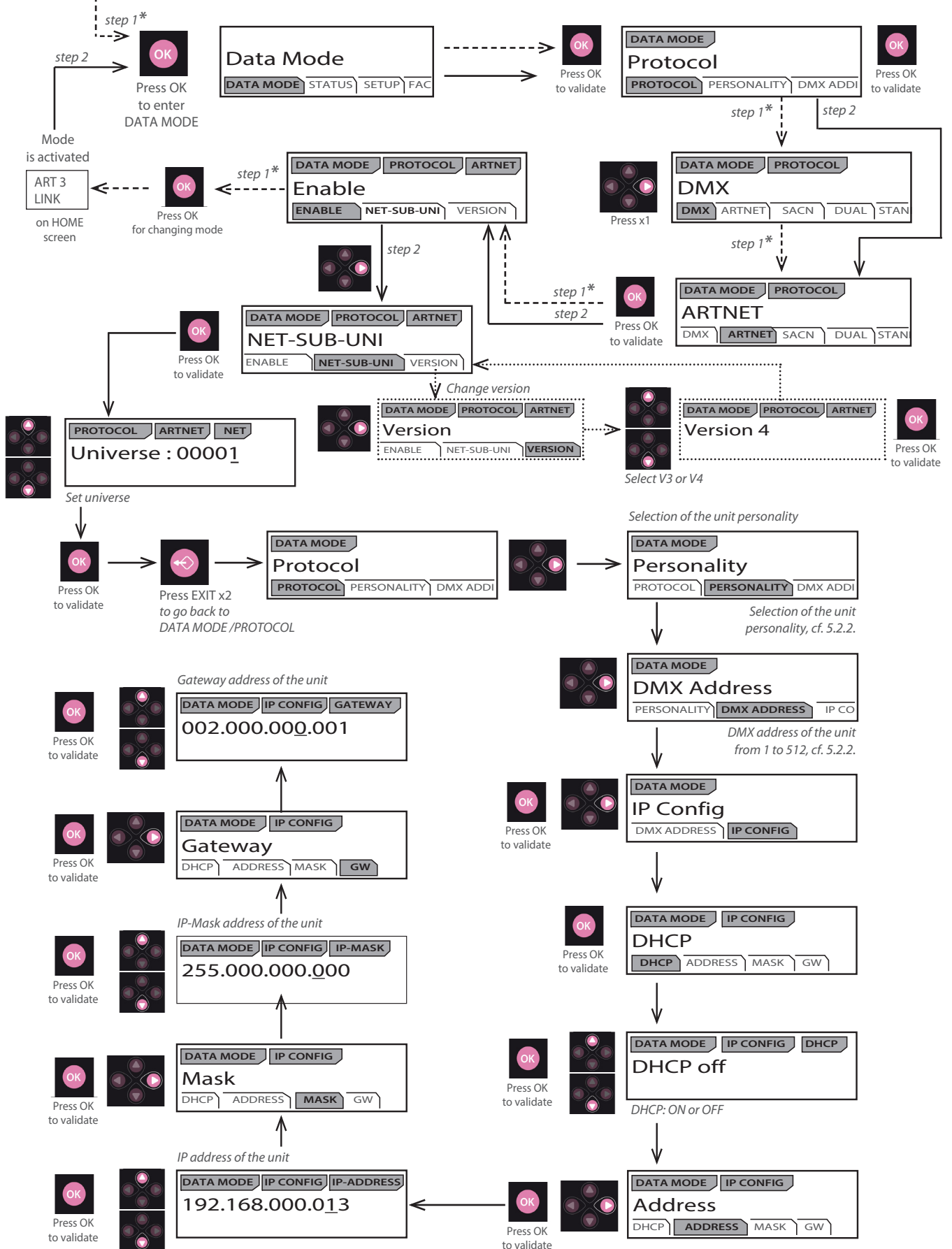
For more information about Art-Net protocol: <http://art-net.org.uk/>

5.4.2 Configuration





Caution:
 (*) Activate Art-Net in protocol mode beforehand.

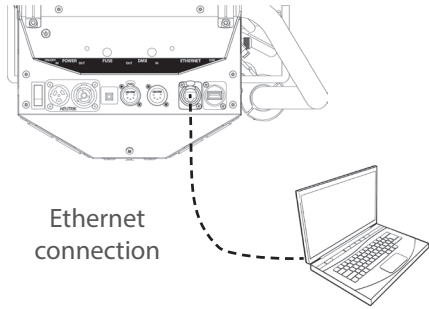


5.5.1 Protocol

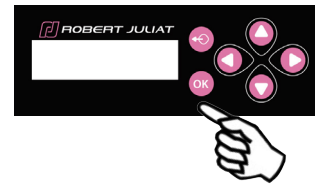
ANSI E1.31 – 2009 sACN (Streaming-ACN)

5.5.2 Configuration

Set mode through Web interface
(see 5.7 Web interface)

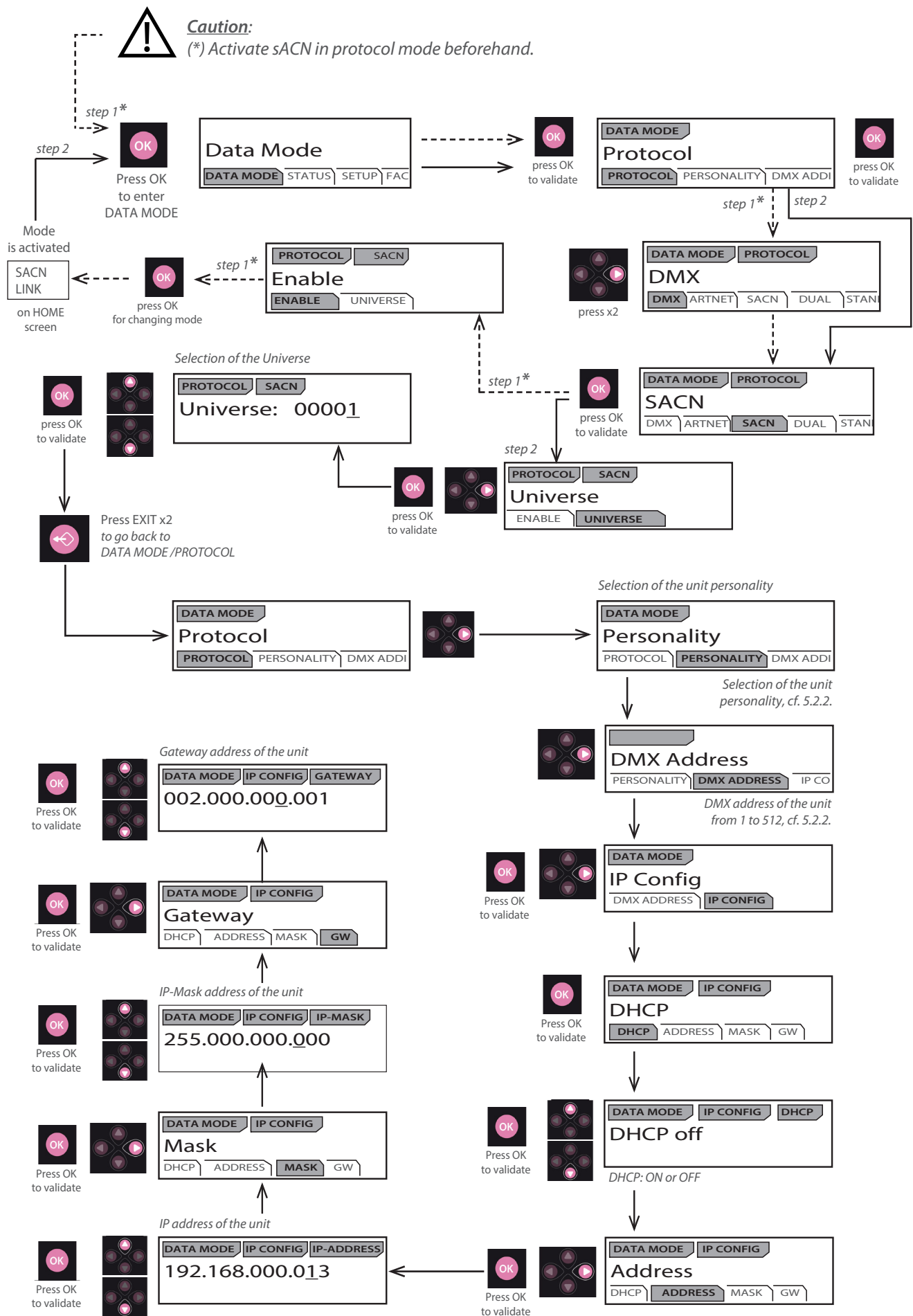


Locally, through the local control



- 1 - If necessary, change IP settings
- 2 - Set sACN universe
- 3 - Set DMX address
- 4 - Set personality mode (see 5.2.4. DMX chart)

5.5.3 Local set-up



5.6.1 Protocol

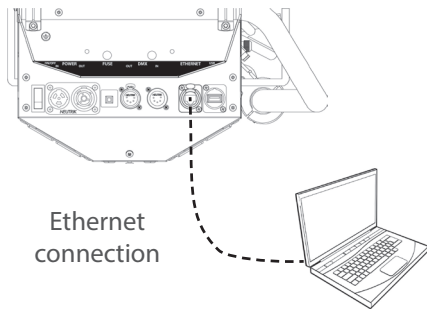
Dual Mode: Available only on an Ethernet network

It allows to send a DMX 512 signal through a Sacn data stream and at the same time to use an Artnet/ArtRdm data stream to control, set and monitor the equipment via RDM.

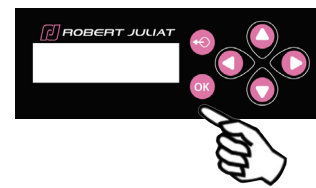
This mode can be set by Web interface or the local control screen.

5.6.2 Configuration

Set mode through Web interface
(see 5.7 Web interface)



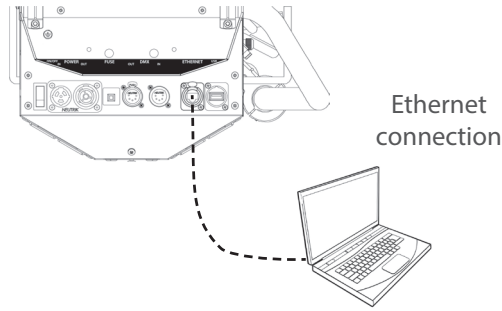
Locally, through the local control



- 1 - If necessary, change IP settings
- 2 - Set DUAL universe
- 3 - Set DMX address
- 4 - Set personality mode (see 5.2.4. DMX chart)

5.7 Web interface

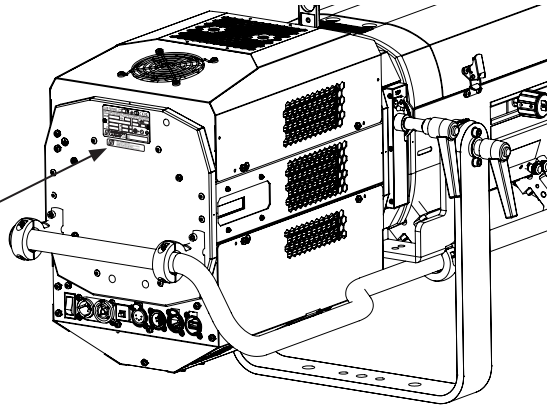
5.7.1 Control



The fixture must be connected to a compatible network or directly to a computer using an ethernet cable.

5.7.2 Default IP address

By default:
 DHCP = OFF
 Address = 2.XXX.XXX.XXX
 Mask = 255.0.0.0



➔ If IP address unknown (due to a previous modification), a hard reset must be done (see 6.6 Factory defaults).

5.7.3 Network IP of the computer

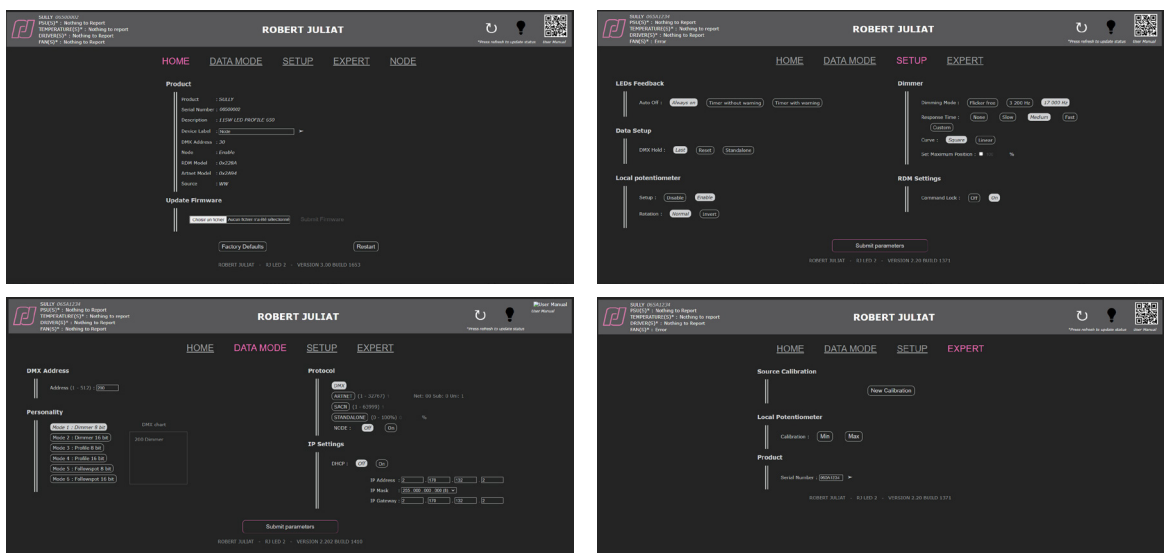
The computer must be on the same network as the LED fixture.
 Please refer to your computer Operating System to change IPV4 parameters :

- **Microsoft Windows:**
<https://support.microsoft.com/en-us/windows/change-tcp-ip-settings-bd0a07af-15f5-cd6a-363f-ca2b6f391ace>
- **MAC OS:** <https://support.apple.com/en-gb/guide/mac-help/mchlp2718/10.15/mac/10.15>

- 1 - ADDRESS = 2.XXX.XXX.YYY with $YYY \neq XXX$
 Do not use the same IP address as the LED fixture
- 2 - MASK = 255.0.0.0






5.7.4 Connect to web interface

- 1 - Open a web browser (Microsoft Edge, Firefox, Apple Safari...)
- 2 - Enter the URL address of the LED fixture: <http://2.XXX.XXX.XXX>
- 3 - All parameters can be now modified

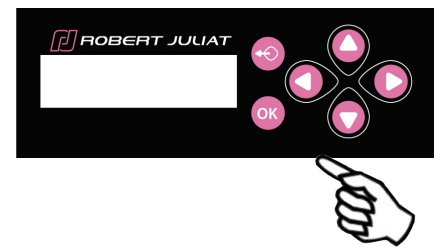
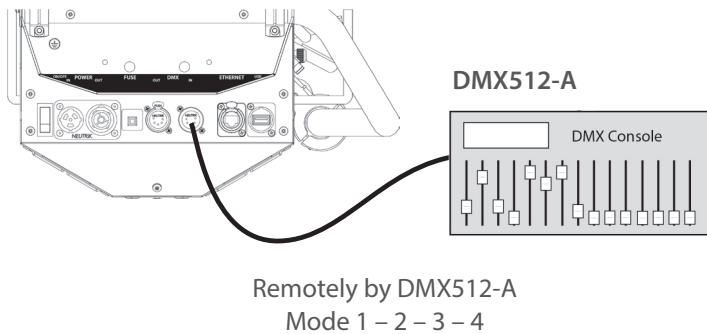


5.8 Fan cooling modes

5.8.1 Range

Modes	Silent	Normal	Full
 Cooling	 < 40.5 dB(A)	 < 43.4 dB(A)	 < 45.8 dB(A)
 Brightness	60 → 85%	80 → 95%	100%

5.8.2 Control



5.9 Gel Fan mode

GEL FAN menu:

- **Enable:** activates / deactivates the fan of the colour changer.

6.1 Preventive maintenance

6.1.1 Frequency

General maintenance should be performed at least once a year or more frequently if the equipment is operated in adverse conditions (smoke, heat, humidity, touring, etc.).

6.1.2 General cleaning

Remove dust from the unit.
Front glasses can be cleaned with solutions containing alcohol.

6.1.3 General visual check

- No trace of heat.
- No loose contacts.
- No missing parts.
- Tighten mechanical assemblies (screws, bolts and nuts, etc.).

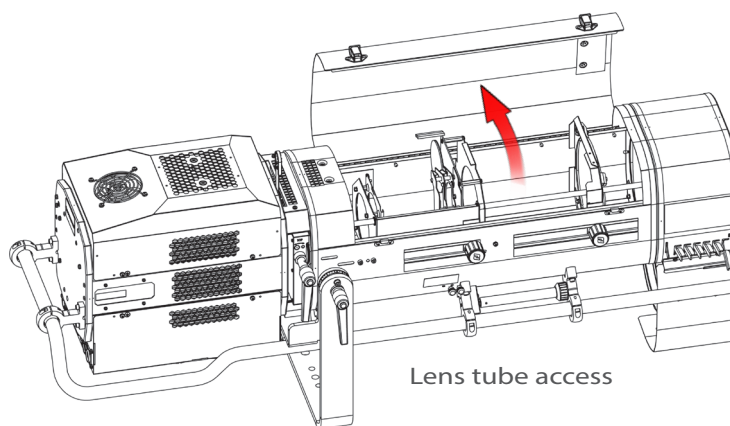
6.1.4 LED source



- Do not touch the surface of the LED source (no contact with your hands or any tools).
- Do not put compressed air directly on the source.
- Contact a certified RJ distributor in case of residuals or other objects located on the surface of the LED source.

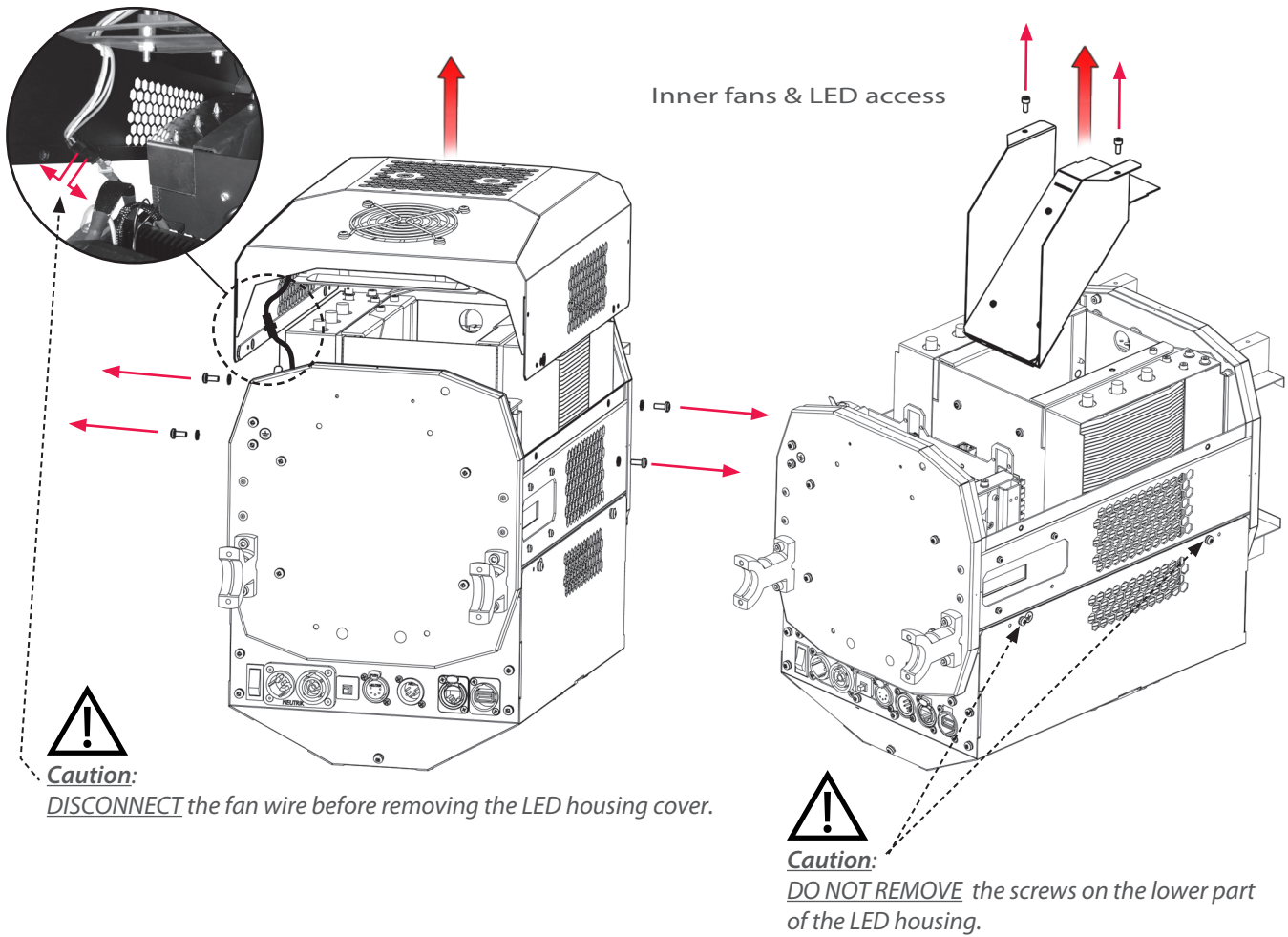
6.1.5 Optics

- Only use solutions containing alcohol to clean optical parts (lenses).
- To clean the optical parts, use a soft cloth in combination with distilled water or isopropyl alcohol recommended for coated optics. Do not use any cleaning product that contains solvents or abrasives, as these can cause surface damage.
 - Dry with a soft lint-free cloth.



6.1.6 Inner fans & LED glass protection cleaning

Only use solutions containing alcohol to clean inner parts.



6.2 Analysis

In case of problem, contact RJ distributor with the following information:

- Model, version and serial number of the product.
- From the menu status:
 - Software version
 - LED board IDs
 - Device hours
- Description of the problem.



6.3 Local potentiometer

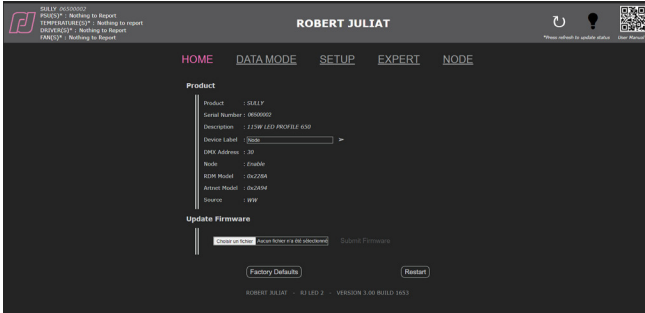
→ selection in SETUP / LOCAL POTENTIOMETER (LOCAL POT)

Function	Parameters	Description
<p>Setup</p>		<p>(1169 & 1469)</p> <p>Disable</p> <p>Enable</p>
<p>Rotation</p>		<p>Normal (CW): Clockwise</p> <p>Invert (CCW): Anticlockwise</p>
<p>Calibration</p>		<p>Adjust to the minimum position</p> <p>Adjust to the maximum position</p>

6.4 Electronic thermal management system

In case of overheating, light intensity will be reduced by the system.
Power reduction and temperature values are available by using a RDM protocol compatible device.

6.5 Firmware update



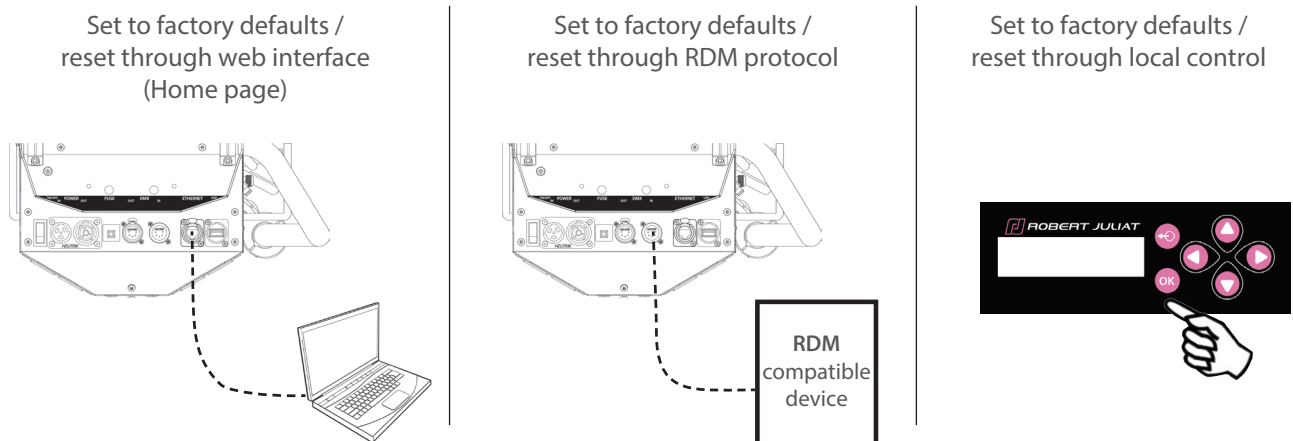
1. Firmware available on www.robertjuliat.com//followspots -> Alice or Oz
2. Download and unzip the file
There are 4 files contained in the folder:
 - Firmware (.upd2 format)
 - Firmware History
 - Update Procedure
 - User Manual from firmware V4.00
3. Switch on the unit
4. Connect Network from computer to the unit
5. Open a web browser (Microsoft Edge, Firefox, Apple Safari...)
6. Enter the URL address to connect to the web interface (*see 5.7*)
7. Upload your firmware file (.upd2) in the "Update firmware" section and then click on 'Submit firmware'

6.6 Factory defaults

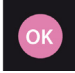
6.6.1 Modes

Mode	Description
Restart	Software reset – all user parameters are kept
Factory defaults	Set all user parameters to factory default values

6.6.2 Control



Select SELFTEST in the main menu :


Press OK
to start
SELFTEST

STATUS

SELFTEST

SELFTEST SYSTEM ID LIGHT SOUP



FANS

PASS

Fan Test

POWER

PASS

PSU Test

TEMPERATURE SENSORS

PASS

Temperature Test

NETWORK

Network fail or no network

Network Test

A data connection is required.

DRIVER

Test in progress

Driver Test

Each driver is tested individually and a calibration is launched if required.

DRIVER

Calibration in progress

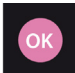
DRIVER

PASS

48V PSU Stress Test

Main Power Stress

PASS


Press OK

POTENTIOMETER

Turn potentionmeter to maximum
then press OK

Dimmer Potentiometer Test

Follow the instructions.

POTENTIOMETER

Side / Top ctrl => press UP
Top ctrl inv => press DOWN

DMX IN
DMX IN fail or NO DMX

DMX Test
DMX data is required to complete this test.

DMX OUT
Plug DMX OUT then press OK

DMX OUT
DMX OUT fail or NO DMX

LEDS
green

Signal Leds Test

LEDS
blue

LEDS
red

test report: Fail P=Pass F=Fail

fans	P	pow	P	temp	P	dmxi	P
dmxo	F	net	F	drv	P	pot	P

Test Report
To be communicated to **RJ Service** if requested :
service@robertjuliat.fr