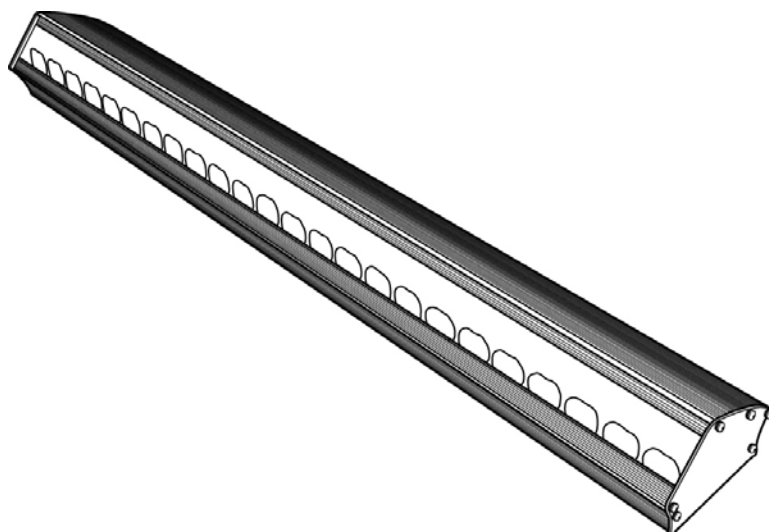


DALIS ACCESS 863

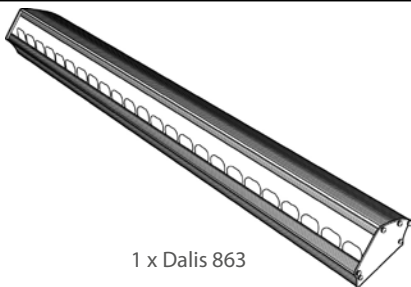
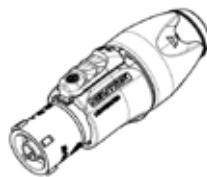
CYCLIGHT



Quick Start Guide

LED 150 W - FOUR-COLOUR MIXING CYCLIGHT
CYCLIODE 150 W LED - 4 COULEURS

User's manual:	Product information page URL:
	<p>Download the user's manual and updates from: www.robertjuliat.com/ambiance_lighting/dalis863</p>

Package contents:	
 <p>1 x Dalis 863</p>	 <p>1 x Neutrik® powerCON TRUE1 connector (ref. NACFX-W)</p>

DALIS ACCESS 863
Firmware V1.00

VALIDATION: 02/05/19

DN41134700



ROBERT JULIAT

1 User's instructions

GENERAL INSTRUCTIONS

1. Not for residential use.
2. **These fixtures must only be serviced by a qualified technician.**
3. In addition to the instructions indicated on this page, relevant health and safety requirements of the appropriate EU Directives must be adhered to at all times.
4. This fixture is in compliance with section 17 - Lighting appliance for theatre stages, television, cinema and photograph studios. Standards NF EN 60598-1 and NF EN 60598-2-17.
5. This fixture is rated as IP20, and is for indoor use only.

FIXTURE

6. Ensure fixture is correctly mounted on an appropriate support.
7. Protection screens must be replaced in the event of any damage, such as cracks or deep scratches, since these might reduce performance.
8. When hung or flown the fixture must be secured by an additional hanging accessory (such as a safety cable or bond) of suitable length.
9. Safety bonds or cables must be securely attached to the back of the fixture and be as short as possible, or rolled up as necessary, to minimise travel distance should the fixture be dislodged.
10. **WARNING:** LED source become hot during use. Allow fixture to cool before servicing.
11. Do not tamper with design of fixture nor any of its safety features.
12. Tighten electrical mains cable connections regularly and replace with one of identical specification if damaged.
13. Use only with correct power supply.
14. Do not orientate the fixture towards a source of light (sun, fixture), in particular for LED versions.

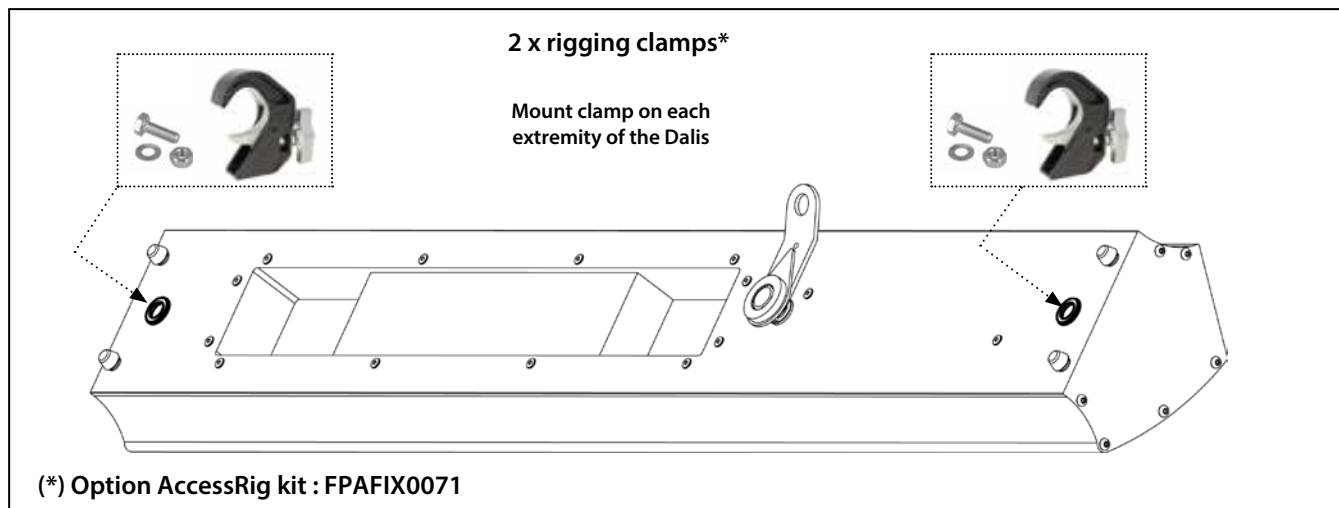
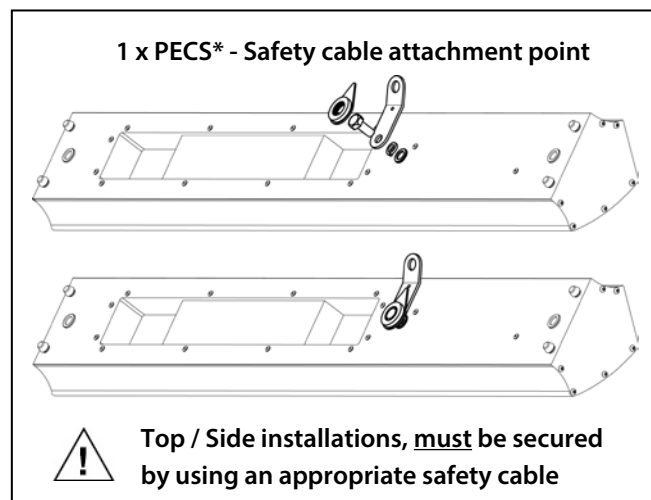
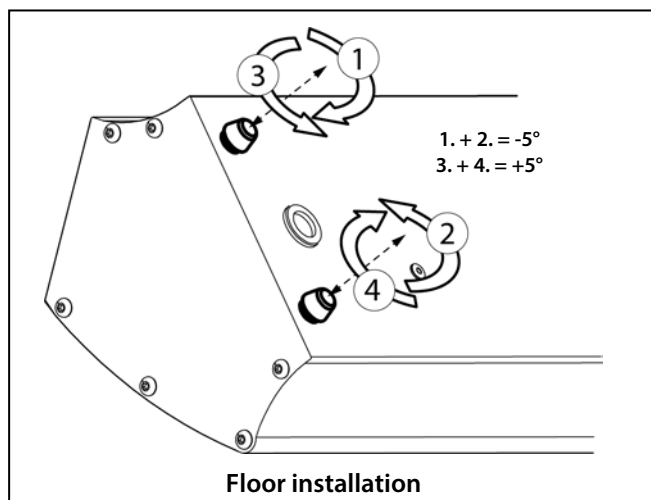
VENTILATION

15. Keep well away from flammable material.
16. Not for outdoor use. Do not cover. Do not permit fixture to get wet.
17. To avoid overheating, do not obstruct air vents.

PLEASE NOTE

These products have been built to conform to European standards relating to professional lighting equipment. Any modification made to our products will void the manufacturers' warranty.

2 Installation

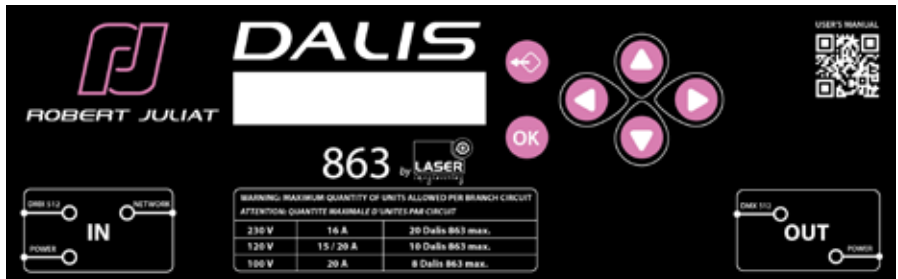


3 Electrical / Data connection

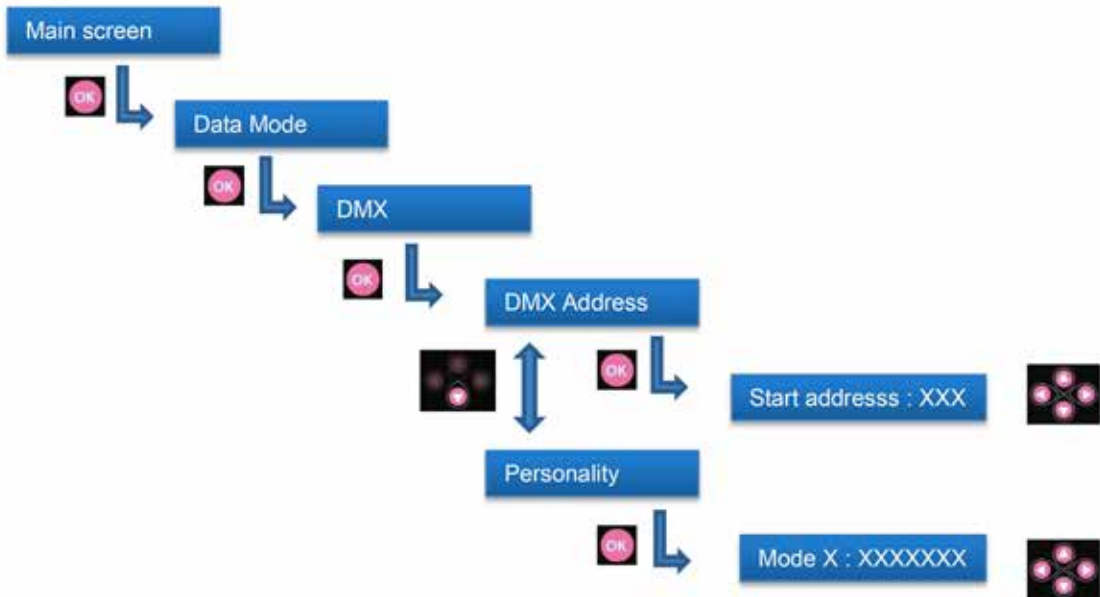


①	Power input :	<ul style="list-style-type: none"> • Connector: Neutrik® powerCON TRUE1 • Voltage: 90 → 264V 50/60Hz • Power consumption: 140W max
②	Power output:	<ul style="list-style-type: none"> • Connector: Neutrik powerCON TRUE1 Daisy chain: <ul style="list-style-type: none"> • 230V: 20 units max • 120V: 10 units max • 100V: 8 units max
③	Data In:	<ul style="list-style-type: none"> • Connector: XLR 5-pin • Protocol: USITT DMX 512-A / RDM
④	Data Out:	<ul style="list-style-type: none"> • Connector: XLR 5-pin • Protocol: USITT DMX 512-A / RDM
⑤	Ethernet:	<ul style="list-style-type: none"> • Connector: RJ45 • Protocol: Art-Net / sACN + software update

4 DMX control



DMX address and control mode selection:



5 DMX chart

DMX address	Mode 1 Full4groupmode16b	Mode 2 Full1groupmode16b	Mode 3 Full1groupmode8b	Mode 6 4groupsindividual16b
1	Dimmer	Dimmer	Dimmer	Group 1 - Dimmer 1
2	Dimmer fine	Dimmer fine	Red	Group 1 - Dimmer fine 1
3	Group 1 - Red	Red	Green	Group 1 - Red
4	Group 1 - Red fine	Red fine	Royal blue	Group 1 - Red fine
5	Group 1 - Green	Green	Warm white	Group 1 - Green
6	Group 1 - Green fine	Green fine	Strobe duration	Group 1 - Green fine
7	Group 1 - Royal blue	Royal blue	Strobe speed	Group 1 - Royal blue
8	Group 1 - Royal blue fine	Royal blue fine	Response time	Group 1 - Royal blue fine
9	Group 1 - Warm white	Warm white	Control mode	Group 1 - Warm white
10	Group 1 - Warm white fine	Warm white fine		Group 1 - Warm white fine
11	Group 2 - Red	Strobe duration		Group 2 - Dimmer 2
12	Group 2 - Red fine	Strobe speed		Group 2 - Dimmer fine 2
13	Group 2 - Green	Response time		Group 2 - Red
14	Group 2 - Green fine	Control mode		Group 2 - Red fine
15	Group 2 - Royal blue			Group 2 - Green
16	Group 2 - Royal blue fine			Group 2 - Green fine
17	Group 2 - Warm white			Group 2 - Royal blue
18	Group 2 - Warm white fine			Group 2 - Royal blue fine
19	Group 3 - Red			Group 2 - Warm white
20	Group 3 - Red fine			Group 2 - Warm white fine
21	Group 3 - Green			Group 3 - Dimmer 3
22	Group 3 - Green fine			Group 3 - Dimmer fine 3
23	Group 3 - Royal blue			Group 3 - Red
24	Group 3 - Royal blue fine			Group 3 - Red fine
25	Group 3 - Warm white			Group 3 - Green
26	Group 3 - Warm white fine			Group 3 - Green fine
27	Group 4 - Red			Group 3 - Royal blue
28	Group 4 - Red fine			Group 3 - Royal blue fine
29	Group 4 - Green			Group 3 - Warm white
30	Group 4 - Green fine			Group 3 - Warm white fine
31	Group 4 - Royal blue			Group 4 - Dimmer 4
32	Group 4 - Royal blue fine			Group 4 - Dimmer fine 4
33	Group 4 - Warm white			Group 4 - Red
34	Group 4 - Warm white fine			Group 4 - Red fine
35	Strobe duration			Group 4 - Green
36	Strobe speed			Group 4 - Green fine
37	Response time			Group 4 - Royal blue
38	Control mode			Group 4 - Royal blue fine
39				Group 4 - Warm white
40				Group 4 - Warm white fine