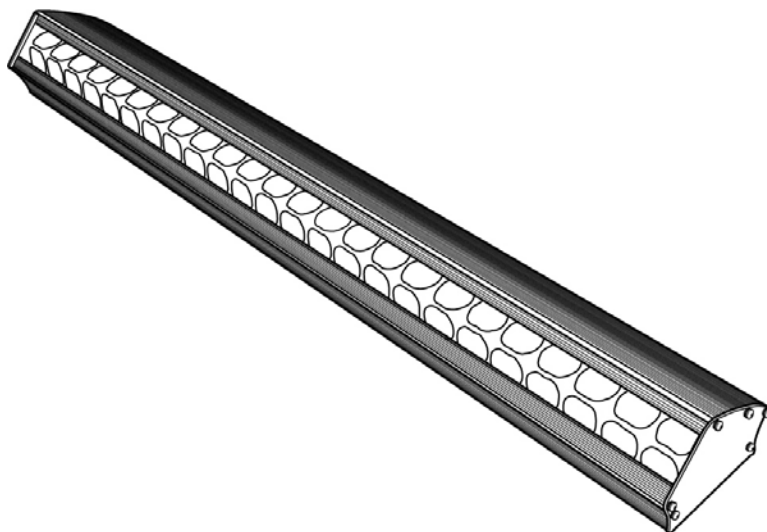


# DALIS - 862

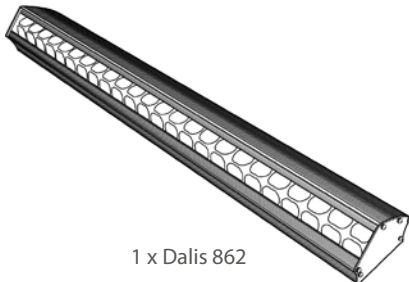
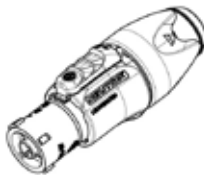
FOOTLIGHT



Quick Start Guide

LED 150 W - VARIABLE WHITE FOOTLIGHT  
PROJECTEUR BAIN DE PIED LED 150 W - BLANC VARIABLE

User's manual:	Product information page URL:
	<p>Download the user's manual and updates from: <a href="http://www.robertjuliat.com/ambiance_lighting/dalis862">www.robertjuliat.com/ambiance_lighting/dalis862</a></p>

Package contents:	
 <p>1 x Dalis 862</p>	 <p>1 x Neutrik® powerCON TRUE1 connector (ref. NACFX-W)</p>

DALIS 862  
Firmware V2.XX - 15/09/16

VALIDATION: 03/05/19

**DN41106900**



**ROBERT JULIAT**

Robert Juliat S.A.S. 32, rue de Beaumont, F 60530 Fresnoy-en-Thelle - phone : +33 (0)3 44 26 51 89 - fax : +33 (0)3 44 26 90 79 - info@robertjuliat.fr

[www.robertjuliat.com](http://www.robertjuliat.com)

## GENERAL INSTRUCTIONS

1. Not for residential use.
2. **These fixtures must only be serviced by a qualified technician.**
3. In addition to the instructions indicated on this page, relevant health and safety requirements of the appropriate EU Directives must be adhered to at all times.
4. This fixture is in compliance with section 17 - Lighting appliance for theatre stages, television, cinema and photograph studios. Standards NF EN 60598-1 and NF EN 60598-2-17.
5. This fixture is rated as IP20, and is for indoor use only.

## FIXTURE

6. Ensure fixture is correctly mounted on an appropriate support.
7. Protection screens must be replaced in the event of any damage, such as cracks or deep scratches, since these might reduce performance.
8. **WARNING:** LED source become hot during use. Allow fixture to cool before servicing.
9. Do not tamper with design of fixture nor any of its safety features.
10. Tighten electrical mains cable connections regularly and replace with one of identical specification if damaged.
11. Use only with correct power supply.
12. Do not orientate the fixture towards a source of light (sun, fixture), in particular for LED versions.

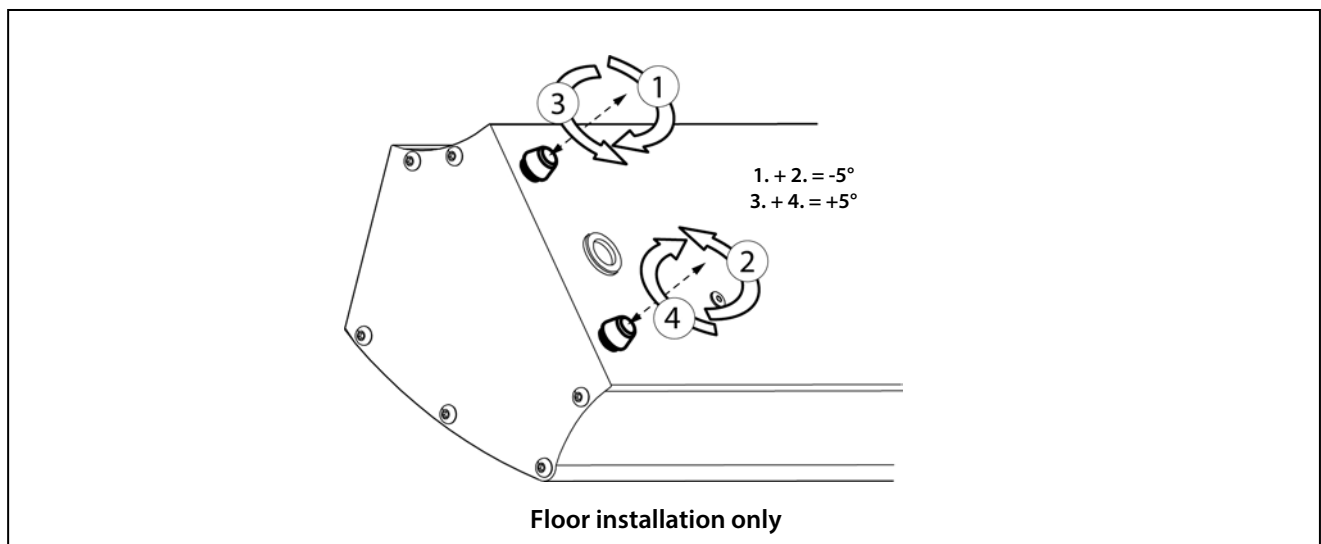
## VENTILATION

13. Keep well away from flammable material.
14. Not for outdoor use. Do not cover. Do not permit fixture to get wet.
15. To avoid overheating, do not obstruct air vents.

## PLEASE NOTE

These products have been built to conform to European standards relating to professional lighting equipment. Any modification made to our products will void the manufacturers' warranty.

## 2 Installation



### 3 Electrical / Data connection

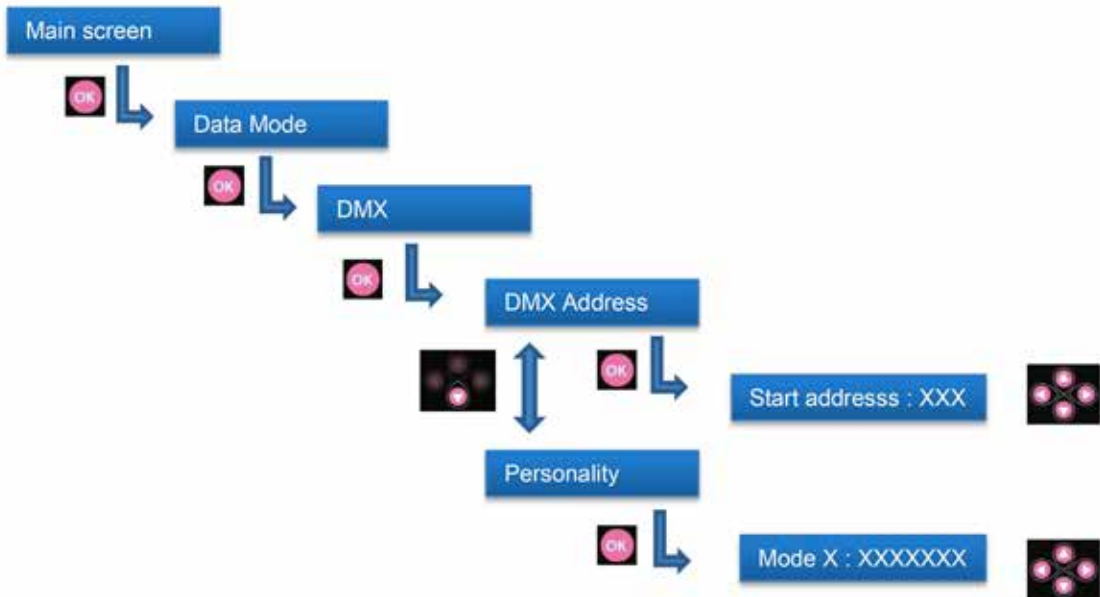


①	Power input :	<ul style="list-style-type: none"> <li>• Connector: Neutrik® powerCON TRUE1</li> <li>• Voltage: 90 → 264V 50/60Hz</li> <li>• Power consumption: 140W max</li> </ul>
②	Power output:	<ul style="list-style-type: none"> <li>• Connector: Neutrik powerCON TRUE1</li> <li>Daisy chain:                             <ul style="list-style-type: none"> <li>• 230V: 20 units max</li> <li>• 120V: 10 units max</li> <li>• 100V: 8 units max</li> </ul> </li> </ul>
③	Data In:	<ul style="list-style-type: none"> <li>• Connector: XLR 5-pin</li> <li>• Protocol: USITT DMX 512-A / RDM</li> </ul>
④	Data Out:	<ul style="list-style-type: none"> <li>• Connector: XLR 5-pin</li> <li>• Protocol: USITT DMX 512-A / RDM</li> </ul>
⑤	Ethernet:	<ul style="list-style-type: none"> <li>• Connector: RJ45</li> <li>• Protocol: Art-Net / sACN + software update</li> </ul>

### 4 DMX control



**DMX address and control mode selection:**



# 5 DMX chart

DMX address	Mode 1: Full4groupsmode16b	Mode 2: Full1groupmode16b	Mode 3: Full1groupmode8b	Mode 4: Presetmode16b	Mode 5: Presetmode8b	Mode 6: 4groupsindividual16bits	Mode 7: 4groupsindividualpreset16b
1	Dimmer	Dimmer - Up Stage	Dimmer - Up Stage	Dimmer	Dimmer	Dimmer - Up Stage 1	Dimmer - 1
2	Dimmer fine	Dimmer fine - Up Stage	Cool white - Up Stage	Dimmer fine	Balance	Dimmer fine - Up Stage 1	Dimmer fine - 1
3	Cool white - Up Stage 1	Cool white - Up Stage	Warm white - Up Stage	Balance	CCT	Cool white - Up Stage 1	Balance - 1
4	Cool white fine - Up Stage 1	Cool white fine - Up Stage	Dimmer - Down Stage	CCT	Strobe duration	Cool white fine - Up Stage 1	CCT - 1
5	Warm white - Up Stage 1	Warm white - Up Stage	Cool white - Down Stage	Strobe duration	Strobe speed	Warm white - Up Stage 1	Blue position intensity - 1
6	Warm white fine - Up Stage 1	Warm white fine - Up Stage	Warm white - Down Stage	Strobe speed	Response time	Warm white fine - Up Stage 1	Red position intensity - 1
7	Cool white - Up Stage 2	Dimmer - Down Stage	Strobe duration	Response time	Control mode	Dimmer - Up Stage 2	Dimmer - 2
8	Cool white fine - Up Stage 2	Dimmer fine - Down Stage	Strobe speed	Control mode	Blue position	Dimmer fine - Up Stage 2	Dimmer fine - 2
9	Warm white - Up Stage 2	Cool white - Down Stage	Response time	Blue position	Red position	Cool white - Up Stage 2	Balance - 2
10	Warm white fine - Up Stage 2	Cool white fine - Down Stage	Control mode	Red position	Position Intensity	Cool white fine - Up Stage 2	CCT - 2
11	Cool white - Up Stage 3	Warm white - Down Stage	Blue position	Position Intensity		Warm white - Up Stage 2	Blue position intensity - 2
12	Cool white fine - Up Stage 3	Warm white fine - Down Stage	Red position			Warm white fine - Up Stage 2	Red position intensity - 2
13	Warm white - Up Stage 3	Strobe duration	Position Intensity			Dimmer - Up Stage 3	Dimmer - 3
14	Warm white fine - Up Stage 3	Strobe speed				Dimmer fine - Up Stage 3	Dimmer fine - 3
15	Cool white - Up Stage 4	Response time				Cool white - Up Stage 3	Balance - 3
16	Cool white fine - Up Stage 4	Control mode				Cool white fine - Up Stage 3	CCT - 3
17	Warm white - Up Stage 4	Blue position				Warm white - Up Stage 3	Blue position intensity - 3
18	Warm white fine - Up Stage 4	Red position				Warm white fine - Up Stage 3	Red position intensity - 3
19	Cool white - Down Stage 1	Position Intensity				Dimmer - Up Stage 4	Dimmer - 4
20	Cool white fine - Down Stage 1					Dimmer fine - Up Stage 4	Dimmer fine - 4
21	Warm white - Down Stage 1					Cool white - Up Stage 4	Balance - 4
22	Warm white fine - Down Stage 1					Cool white fine - Up Stage 4	CCT - 4
23	Cool white - Down Stage 2					Warm white - Up Stage 4	Blue position intensity - 4
24	Cool white fine - Down Stage 2					Warm white fine - Up Stage 4	Red position intensity - 4
25	Warm white - Down Stage 2					Dimmer - Down Stage 1	
26	Warm white fine - Down Stage 2					Dimmer fine - Down Stage 1	
27	Cool white - Down Stage 3					Cool white - Down Stage 1	
28	Cool white fine - Down Stage 3					Cool white fine - Down Stage 1	
29	Warm white - Down Stage 3					Warm white - Down Stage 1	
30	Warm white fine - Down Stage 3					Warm white fine - Down Stage 1	
31	Cool white - Down Stage 4					Blue position intensity - 1	
32	Cool white fine - Down Stage 4					Red position intensity - 1	
33	Warm white - Down Stage 4					Dimmer - Down Stage 2	
34	Warm white fine - Down Stage 4					Dimmer fine - Down Stage 2	
35	Strobe duration					Cool white - Down Stage 2	
36	Strobe speed					Cool white fine - Down Stage 2	
37	Response time					Warm white - Down Stage 2	
38	Control mode					Warm white fine - Down Stage 2	
39	Blue position					Blue position intensity - 2	
40	Red position					Red position intensity - 2	
41	Position Intensity					Dimmer - Down Stage 3	
42						Dimmer fine - Down Stage 3	
43						Cool white - Down Stage 3	
44						Cool white fine - Down Stage 3	
45						Warm white - Down Stage 3	
46						Warm white fine - Down Stage 3	
47						Blue position intensity - 3	
48						Red position intensity - 3	
49						Dimmer - Down Stage 4	
50						Dimmer fine - Down Stage 4	
51						Cool white - Down Stage 4	
52						Cool white fine - Down Stage 4	
53						Warm white - Down Stage 4	
54						Warm white fine - Down Stage 4	
55						Blue position intensity - 4	
56						Red position intensity - 4	

