

# CoDot ILS

User Manual



## Edition Notes

The CoDot ILS User Manual includes a description, safety precautions, installation, programming, operation, and maintenance instructions for the CoDot ILS as of the release date of this edition.

### Trademarks

Chauvet, Chauvet DJ, the Chauvet logo, and CoDot ILS are registered trademarks or trademarks of Chauvet & Sons, LLC (d/b/a Chauvet and Chauvet Lighting) in the United States and other countries. Other company and product names and logos referred to herein may be trademarks of their respective companies.

### Copyright Notice

The works of authorship contained in this manual, including, but not limited to, all designs, text, and images are owned by Chauvet.

© **Copyright 2024 Chauvet & Sons, LLC. All rights reserved.**

Electronically published by Chauvet in the United States of America.

### Manual Use

Chauvet authorizes its customers to download and print this manual for professional information purposes only. Chauvet expressly prohibits the usage, copy, storage, distribution, modification, or printing of this manual or its content for any other purpose without written consent from Chauvet.

### Document Printing

For best results, print this document in color, on letter size paper (8.5 x 11 in), double-sided. If using A4 paper (210 x 297 mm), configure the printer to scale the content accordingly.

### Intended Audience

Any person installing, operating, and/or maintaining this product should completely read through the guide that shipped with the product, as well as this manual, before installing, operating, or maintaining this product.

### Disclaimer

Chauvet believes that the information contained in this manual is accurate in all respects. However, Chauvet assumes no responsibility and specifically disclaims any and all liability to any party for any loss, damage, or disruption caused by any errors or omissions in this document, whether such errors or omissions result from negligence, accident, or any other cause. Chauvet reserves the right to revise the content of this document without any obligation to notify any person or company of such revision; however, Chauvet has no obligation to make, and does not commit to make, any such revisions.

### Document Revision

Go to [www.chauvetdj.com](http://www.chauvetdj.com) for the latest version.

| Revision | Date    | Description      |
|----------|---------|------------------|
| 1        | 11/2024 | Initial release. |

**TABLE OF CONTENTS**

|  |           |
|--|-----------|
| <b>1. Before You Begin .....</b>                         | <b>1</b>  |
| What Is Included .....                                   | 1         |
| Unpacking Instructions.....                              | 1         |
| Claims .....   | 1         |
| Text Conventions .....                                   | 1         |
| Symbols .....  | 1         |
| Safety Notes.....  | 2         |
| FCC Statement of Compliance .....                        | 2         |
| RF Exposure Warning for North America and Australia..... | 2         |
| <b>2. Introduction.....</b>                              | <b>3</b>  |
| Product Overview.....                                    | 3         |
| Product Dimensions .....                                 | 3         |
| <b>3. Setup.....</b>                                     | <b>4</b>  |
| AC Power .....   | 4         |
| Power Linking.....                                       | 4         |
| Mounting .....   | 4         |
| Orientation.....   | 4         |
| Switching Lenses .....                                   | 4         |
| <b>4. Operation.....</b>                                 | <b>5</b>  |
| Control Panel Operation.....                             | 5         |
| Menu Map .....   | 5         |
| DMX Configuration.....                                   | 6         |
| Personality and Starting Address.....                    | 6         |
| DMX Channel Assignments and Values .....                 | 6         |
| DMX Charts.....  | 6         |
| Standalone Configuration.....                            | 7         |
| Static Colors .....                                      | 7         |
| Automatic Programs.....                                  | 7         |
| Program Speed .....                                      | 7         |
| Sound-Active Mode .....                                  | 7         |
| Sound Sensitivity .....                                  | 7         |
| Custom Color Mixing.....                                 | 7         |
| Settings Configuration.....                              | 8         |
| D-Fi Configuration .....                                 | 8         |
| Factory Reset.....                                       | 8         |
| Firmware Update.....                                     | 8         |
| D-Fi Master/Slave Mode .....                             | 9         |
| ILS Mode.....  | 9         |
| RFC Remote Control.....                                  | 10        |
| Public RF Mode.....                                      | 10        |
| Disable RF Control.....                                  | 10        |
| RFC Remote Binding .....                                 | 10        |
| RFC Group.....   | 10        |
| RFC Remote Control Operation .....                       | 11        |
| RFC-XL Remote Control Operation .....                    | 12        |
| <b>5. Maintenance.....</b>                               | <b>13</b> |
| Product Maintenance .....                                | 13        |
| <b>6. Technical Specifications.....</b>                  | <b>14</b> |
| <b>Contact Us.....</b>                                   | <b>15</b> |
| Warranty & Returns.....                                  | 15        |

# 1. Before You Begin

## What Is Included

- CoDot ILS x4
- Wash lens x4
- Fresnel lens x4
- Short (0.5 m) USB cable x3
- Long (2 m) USB cable x3
- Carry case
- External power supply
- Quick Reference Guide

## Unpacking Instructions

Carefully unpack the product immediately and check the container to make sure all the parts are in the package and are in good condition.

## Claims





If the box or the contents (the product and included accessories) appear damaged from shipping, or show signs of mishandling, notify the carrier immediately, not Chauvet. Failure to report damage to the carrier immediately may invalidate a claim. In addition, keep the box and contents for inspection.

For other issues, such as missing components or parts, damage not related to shipping, or concealed damage, file a claim with Chauvet within 7 days of delivery.

## Text Conventions

| Convention           | Meaning  |
|----------------------|--|
| <b>1–512</b>         | A range of values                                  |
| <b>50/60</b>         | A set of values of which only one can be chosen    |
| <b>Settings</b>      | A menu option not to be modified                   |
| <b>&lt;ENTER&gt;</b> | A key to be pressed on the product's control panel |
| <b>ON</b>            | A value to be entered or selected                  |

## Symbols

| Symbol  | Meaning   |
|---|---|
|  | Electrical warning. Not following these instructions may cause electrical damage to the product, accessories, or the user.  |
|  | Critical installation, configuration, or operation information. Not following these instructions may make the product not work, cause damage to the product, or cause harm to the operator. |
|  | Important installation or configuration information. The product may not function correctly if this information is not used.  |
|  | Useful information.   |

### Safety Notes

These Safety Notes include important information about installation, use, and maintenance of the CoDot ILS.



- **ALWAYS:**
  - ◆ Connect to a grounded circuit.
  - ◆ Connect to operating voltages as specified on the product's spec sticker.
  - ◆ Disconnect from its power source during periods of inactivity.
  - ◆ Heed all restrictions and warnings on the spec sticker.
  - ◆ Mount in a location with at least 20 in (50 cm) of ventilation.



- In the event of a serious operating problem, stop using immediately.
- **DO NOT:**
  - ◆ Attempt any repairs. It contains no user-serviceable parts.
  - ◆ Look at the light source when the product is on.
  - ◆ Use if the power cord is crimped or damaged.
  - ◆ Disconnect by pulling on the power cord.
  - ◆ Allow flammable materials close to the product when it is operating.
  - ◆ Touch the housing when it is on.
  - ◆ Block any ventilation holes/slots in the housing.
  - ◆ Connect to a dimmer or rheostat.
  - ◆ Carry the product by its power cord.
  - ◆ Operate in temperatures higher than 104°F (40°C).
  - ◆ Expose to environments that exceed the Ingress Protection (IP) rating.
  - ◆ Expose to rain or moisture.
  - ◆ Use outdoors.
  - ◆ Submerge.



**Keep this User Manual for future use. If the product is sold to someone else, be sure that they also receive this document.**

### FCC Statement of Compliance

This device complies with Part 15 Part B of the FCC rules. Operation is subject to the following two conditions:

1. This device may not cause harmful interference, and
2. This device must accept any interference received, including interference that may cause undesired operation.

This equipment has been tested and found to comply with the limits for a Class B digital device, pursuant to Part 15 of the FCC Rules. These limits are designed to provide reasonable protection against harmful interference in a residential installation. This equipment generates uses and can radiate radio frequency energy and, if not installed and used in accordance with the instructions, may cause harmful interference to radio communications. However, there is no guarantee that interference will not occur in a particular installation. If this equipment does cause harmful interference to radio or television reception, which can be determined by turning the equipment off and on, the user is encouraged to try to correct the interference by one or more of the following measures:

- Reorient or relocate the receiving antenna.
- Increase the separation between the equipment and receiver.
- Connect the equipment into an outlet on a circuit different from that to which the receiver is connected.
- Consult the dealer or an experienced radio/TV technician for help.

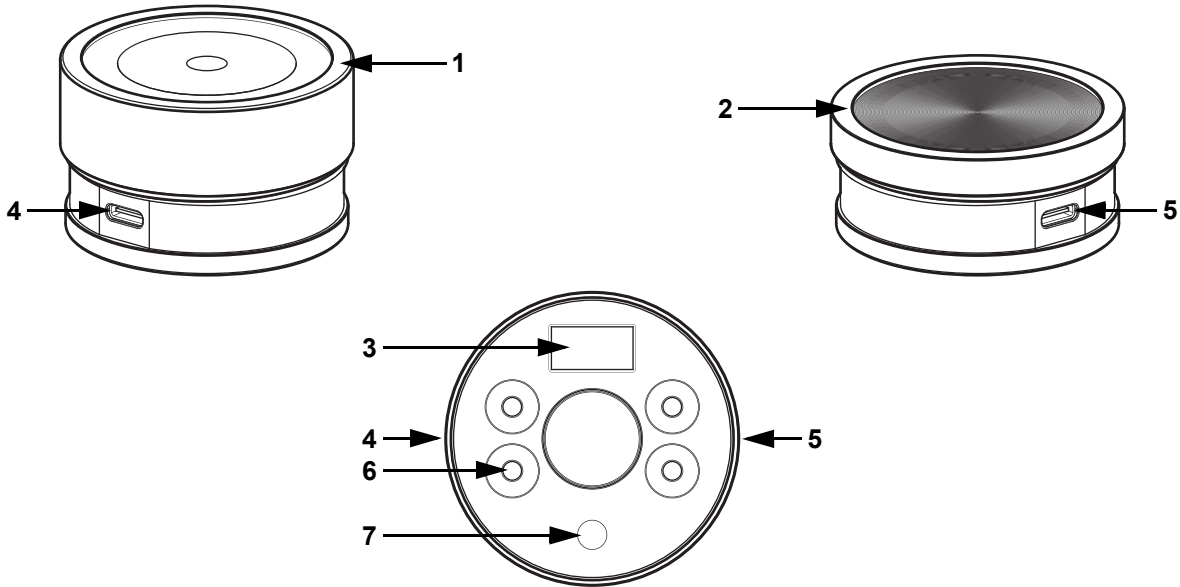
Any changes or modifications not expressly approved by the party responsible for compliance could void the user's authority to operate the equipment.

### RF Exposure Warning for North America and Australia

**Warning!** This equipment complies with FCC radiation exposure limits set forth for an uncontrolled environment. This equipment should be installed and operated with a minimum distance of 20 cm between the radiator and the user. This transmitter must not be co-located or operating in conjunction with any other antenna or transmitter.

## 2. Introduction

### Product Overview

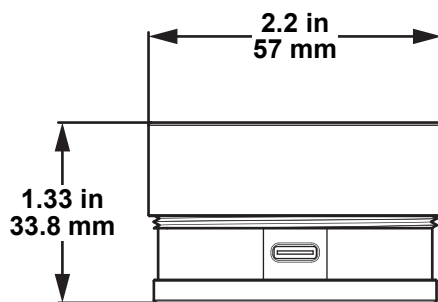


| # | Name  |
|---|---|
| 1 | Wash lens                                   |
| 2 | Fresnel lens (comes installed)              |
| 3 | LED display                                 |
| 4 | Type C USB power input port                 |
| 5 | Type C USB firmware update port             |
| 6 | Menu buttons                                |
| 7 | M6 threaded insert for mounting accessories |

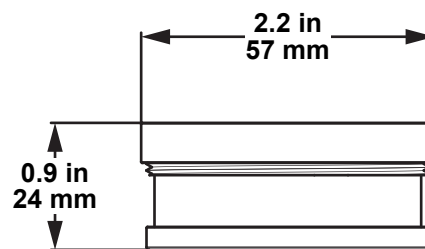


**WARNING! DO NOT** plug anything other than a power supply or a firmware update connection into the USB type C ports. Doing so may cause damage to the product.

### Product Dimensions



Wash lens



Fresnel lens

## 3. Setup

### AC Power

The CoDot ILS comes with an external auto-ranging power supply and it can work with an input voltage range of 100 to 240 VAC, 50/60 Hz.

To determine the product's power requirements (circuit breaker, power outlet, and wiring), use the current value listed on the label affixed to the product's back panel, or refer to the product's specifications chart. The listed current rating indicates the product's average current draw under normal conditions.



- **Always connect the product to a protected circuit (a circuit breaker or fuse). Make sure the product has an appropriate electrical ground to avoid the risk of electrocution or fire.**
- **To eliminate unnecessary wear and improve its lifespan, during periods of non-use completely disconnect the product from power via breaker or by unplugging it.**

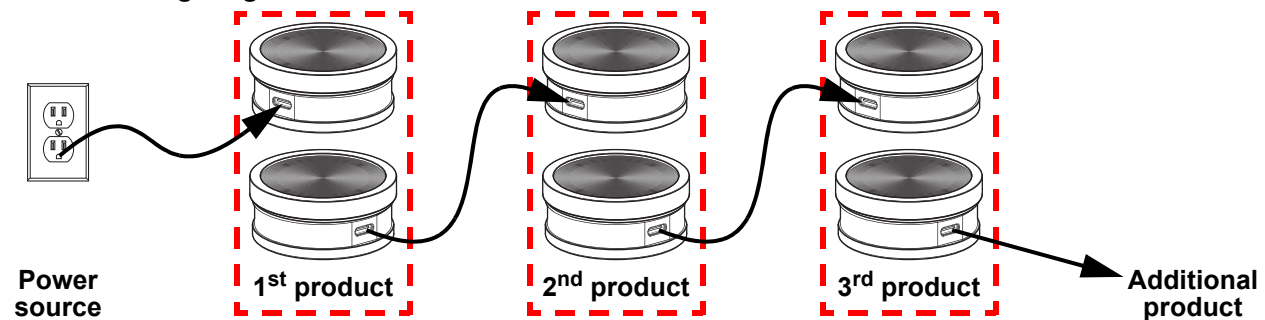


**Never connect the product to a rheostat (variable resistor) or dimmer circuit, even if the rheostat or dimmer channel serves only as a 0 to 100% switch.**

### Power Linking

This product provides power linking via the USB C ports on either side of the product. See the diagram below for further explanation.

#### Power Linking Diagram



**It is possible to link up to 4 CoDot ILS products on 120 VAC or 230 VAC.**

### Mounting

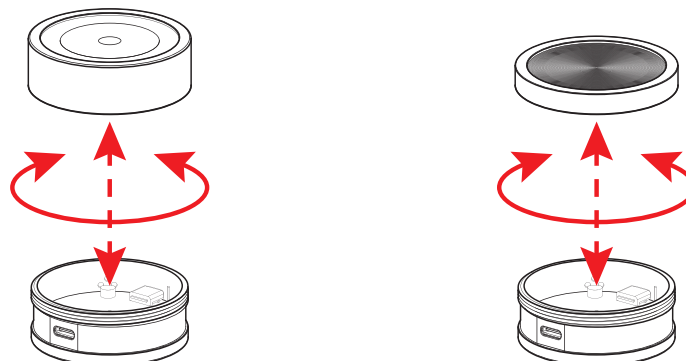
Before mounting the product, read and follow the safety recommendations indicated in the [Safety Notes](#).

#### Orientation

The CoDot ILS has a magnetic base which can mount to metal surfaces, and an M6 threaded insert compatible with camera tripods and accessories. Make sure the surface or structure can support the weight and that adequate ventilation is provided around the product.

### Switching Lenses

The CoDot ILS comes with fresnel lenses and wash lenses. To switch which lens is installed, unscrew the currently installed lens and screw the desired lens into place.



## 4. Operation

### Control Panel Operation

To access the control panel functions, use the four buttons located underneath the display. Please refer to the [Product Overview](#) to see the button locations on the control panel.

| Button  | Function  |
|---------|---|
| <MENU>  | Press to find an operation mode or to back out of the current menu option |
| <UP>    | Press to scroll up the list of options or to find a higher value          |
| <DOWN>  | Press to scroll down the list of options or to find a lower value         |
| <ENTER> | Press to activate a menu option or a selected value                       |

### Menu Map

Refer to the CoDot ILS product page on [www.chauvetdj.com](http://www.chauvetdj.com) for the latest menu map and software.

| Mode                | Programming Levels |         |         |         | Description   |
|---------------------|--------------------|---------|---------|---------|---|
| DMX Mode            | 4Ch                | 1–509   |         |         | 4-channel DMX mode  |
|                     | 6Ch                |         |         |         | 6-channel DMX mode  |
| Static Colors       | C--                | C01–15  |         |         | Static colors   |
| Programs            | P--                | P01–12  |         |         | Automatic programs  |
| Auto Speed          | S--                | S. 1–99 |         |         | Program speed for P 1–12  |
| Sound Mode          | Snd                | Sn1–7   | Syn ind |         | Sound-active programs<br>Select a static color for <b>Sn8</b><br><b>Syn</b> : synchronizes all connected products<br><b>ind</b> : responds to internal microphone |
|                     |                    |         | Sn8     | C01–15  |   |
|                     |                    | Sn9     | Syn ind |         |   |
|                     |                    |         |         |         |   |
| Sensitivity         | SEn                | u. 1–99 |         |         | Sets sound sensitivity  |
| Custom Color Mixing | u--                | r. 0–99 |         |         | Custom static colors<br>Combine red, green, blue, and white   |
|                     |                    | G. 0–99 |         |         |   |
|                     |                    | b. 0–99 |         |         |   |
|                     |                    | V. 0–99 |         |         |   |
| RF Mode             | SEt                | rF      | Pub     |         | Public mode, control with any RFC or RFC-XL remote  |
|                     |                    |         | oFF     |         | Disables RFC remote control   |
|                     |                    |         | Lin     |         | Link to a single remote by pressing and holding <FREEZE>, (RFC) or <BLACK OUT> (RFC-XL) until the display shows <b>SuC</b> (success) or <b>Ern</b> (failure)      |
|                     |                    | rFG     | G-1–4   |         | Sets to an RFC-XL remote receiving group  |
| Factory Reset       | rES                | no      |         |         | Reset to factory default settings   |
|                     |                    | YES     |         |         |   |
| D-Fi                | dFi                | on      | rCh     | r01–r16 | Set D-Fi receiving channel  |
|                     |                    |         | tCh     | t01–t16 | Set D-Fi transmitting channel   |
|                     |                    | oFF     |         |         | Disable D-Fi  |
| ILS Mode            | iLS                | iL1–4   |         |         | Sets an ILS mode  |
| Slave Mode          | SLA                | SL1–4   |         |         | Sets a slave mode for sequential effects  |



## DMX Configuration

The CoDot ILS works with a DMX controller using a wireless D-Fi connection. Information about DMX is in the Chauvet DMX Primer, which is available from the Chauvet website [chauvetlighting.com/downloads/DMX\\_Primer\\_rev05\\_WO.pdf](http://chauvetlighting.com/downloads/DMX_Primer_rev05_WO.pdf).

See [D-Fi Configuration](#) for information on how to configure a wireless D-Fi connection for DMX control.

### Personality and Starting Address

The CoDot ILS uses up to 6 DMX channels in the **6Ch** DMX mode, which defines the highest configurable address to **507**.

When selecting a starting DMX address, always consider the number of DMX channels the DMX mode uses. If the starting address is set too high, access to some channels could be restricted.

For information about the DMX protocol, download the DMX Primer from [www.chauvetdj.com](http://www.chauvetdj.com).

To select the personality and starting address, do the following:

1. Press **<MENU>** repeatedly until **4Ch** or **6Ch** shows on the display.
2. Press **<ENTER>**.
3. Use **<UP>** or **<DOWN>** to select the starting address, from **1–509**.
4. Press **<ENTER>**.

## DMX Channel Assignments and Values

### DMX Charts

| 4Ch | 6Ch | Function | Value     | Percent/Setting      |
|-----|-----|----------|-----------|----------------------|
| –   | 1   | Dimmer   | 000 ⇔ 255 | 0–100%               |
| 1   | 2   | Red      | 000 ⇔ 255 | 0–100%               |
| 2   | 3   | Green    | 000 ⇔ 255 | 0–100%               |
| 3   | 4   | Blue     | 000 ⇔ 255 | 0–100%               |
| 4   | 5   | White    | 000 ⇔ 255 | 0–100%               |
| –   | 6   | Strobe   | 000 ⇔ 010 | No function          |
|     |     |          | 011 ⇔ 255 | Strobe, slow to fast |

## Standalone Configuration

Set the product in one of the standalone modes to operate without a DMX controller.



**Never connect a product that is operating in any standalone mode to a DMX string connected to a DMX controller. Products in standalone mode may transmit DMX signals that could interfere with the DMX signals from the controller.**

### Static Colors

To run the CoDot ILS with a static color, follow the instructions below.

1. Press **<MENU>** repeatedly until **C--** shows on the display.
2. Press **<ENTER>**.
3. Use **<UP>** or **<DOWN>** to select the desired color from **C01–15**.
4. Press **<ENTER>**.

### Automatic Programs

To run the CoDot ILS with an automatic program, follow the instructions below.

1. Press **<MENU>** repeatedly until **P--** shows on the display.
2. Press **<ENTER>**.
3. Use **<UP>** or **<DOWN>** to select the desired program from **P01–12**.
4. Press **<ENTER>**.

### Program Speed

To set the speed of the automatic program, do the following:

1. Press **<MENU>** repeatedly until **S--** shows on the display.
2. Use **<UP>** or **<DOWN>** to increase or decrease the speed, from **S. 1–99**.
3. Press **<ENTER>**.

### Sound-Active Mode

To run the CoDot ILS with a sound-active program, follow the instructions below.

1. Press **<MENU>** repeatedly until **Snd** shows on the display.
2. Press **<ENTER>**.
3. Use **<UP>** or **<DOWN>** to select the desired program from **Sn1–9**.
4. Press **<ENTER>**.
5. For **Sn1–7** or **Sn9**:
  - Use **<UP>** or **<DOWN>** to select from **Syn** (synchronizes to all connected products) or **ind** (responds independently to the internal microphone of the product).
- For **Sn8**:
  - a. Use **<UP>** or **<DOWN>** to select the desired color from **C01–15**.
  - b. Press **<ENTER>**.
  - c. Use **<UP>** or **<DOWN>** to select from **Syn** (synchronizes to all connected products) or **ind** (responds independently to the internal microphone of the product).
6. Press **<ENTER>**.

### Sound Sensitivity

To set the sound sensitivity of the product, do the following:

1. Press **<MENU>** repeatedly until **SEn** shows on the display.
2. Use **<UP>** or **<DOWN>** to increase or decrease the sound sensitivity, from **u. 1–99**.
3. Press **<ENTER>**.



**The product will only respond to low frequencies of music (bass and drums).**

### Custom Color Mixing

To run the CoDot ILS with a custom static color, follow the instructions below.

1. Press **<MENU>** repeatedly until **u--** shows on the display.
2. Press **<ENTER>**.
3. Press **<ENTER>** to cycle through **r. \_\_** (red), **G. \_\_** (green), **b. \_\_** (blue), or **V. \_\_** (white).
4. Use **<UP>** or **<DOWN>** to increase or decrease the selected value from **\_. 0–99**.
5. Repeat steps 3-4 until the product output is set as desired, then press **<ENTER>** to save the setting.

### Settings Configuration

#### D-Fi Configuration

To enable a wireless DMX connection, set the receiving and transmitting channels, or disable D-Fi, follow the instructions below:

1. Press **<MENU>** repeatedly until **dFi** shows on the display.
2. Press **<ENTER>**.
3. Use **<UP>** or **<DOWN>** to select from **on** (enables D-Fi) or **off** (disables D-Fi).
4. Press **<ENTER>**.
5. If **on**, use **<UP>** or **<DOWN>** to select from **rCh** (receiving channel) or **tCh** (transmitting channel).
6. Press **<ENTER>**.
7. Use **<UP>** or **<DOWN>** to increase or decrease the selected channel address, from **\_01–16**.
8. Press **<ENTER>**.

#### Factory Reset

To reset the product to factory default setting, follow the instructions below:

1. Press **<MENU>** repeatedly until **SEt** shows on the display.
2. Press **<ENTER>**.
3. Use **<UP>** or **<DOWN>** to select from **rES**.
4. Press **<ENTER>**.
5. Use **<UP>** or **<DOWN>** to select from **no** (do not reset) or **YES** (reset the product).
6. Press **<ENTER>**.

#### Firmware Update

The CoDot ILS allows for a firmware update through USB using the built-in type C USB firmware update port. To update the firmware using a USB flash drive, follow the instructions below:

1. Press and hold **<MENU>** until **UPD** shows on the display.
2. Release the button and plug the USB flash drive with the firmware update file into the type C USB firmware update port.
3. Allow the progress bar to reach **100**. When the firmware update is successful, **SUC** will show on the display and the product will automatically restart.



- **Do NOT unplug the product from power during the firmware update process.**
- **Do NOT unplug the USB flash drive until the firmware update is complete.**

## D-Fi Master/Slave Mode

The internal D-Fi transceiver allows a single CoDot ILS product (the “master”) to control the actions of one or more CoDot ILS products (the “slaves”) without the need of a DMX controller or DMX cables. The master (transmitter) product will be set to transmit in standalone mode, while the slave (receiver) products will be set to operate in slave mode. Once set and connected, the slave products will operate in unison with the master product.

Configure the products as indicated below.

### Slave products:

1. Set the [D-Fi Configuration](#) to receive on a specific channel, from **r01–16**.
2. Press **<MENU>** repeatedly until **SLA** shows on the display.
3. Press **<ENTER>**.
4. Use **<UP>** or **<DOWN>** to select from **SL1**, **SL2**, **SL3**, or **SL4**.
  - Select **SL1** for 100% synchronized actions.
  - Select **SL2**, **SL3**, and/or **SL4** for delayed actions, creating a wave effect.
5. Press **<ENTER>**.
6. Finish setting and connecting all the slave products.

### Master product:

1. Set the [D-Fi Configuration](#) to transmit on a specific channel, from **t01–16**.
2. Set the master product to run in a standalone mode or with an RFC or RFC-XL.



- **All products must be set to the same DMX personality, DMX address, and D-Fi channel.**
- **Configure all the slave products before configuring the master to transmit.**
- **Never connect a DMX controller to a D-Fi channel configured for Master/Slave operation because the controller may interfere with the signals from the master.**

## ILS Mode

ILS (Integrated Lighting System) provides 4 modes that synchronize with the GigBAR MOVE+ILS: Modes 1 and 3 synchronize with side 1 of the GigBAR MOVE+ILS, whereas modes 2 and 4 synchronize with side 2 of the GigBAR MOVE+ILS. When linked, effects will sync with the most similar effect on the selected side of the GigBAR MOVE+ILS: Kinta effects will sync with one of the kintas, moving heads will sync with one of the moving heads, and wash effects will sync with one of the pars. Laser effects will sync with the laser, and strobe effects will sync with the strobe effects regardless of ILS mode.

This product will synchronize with the par effect on the selected side of the GigBAR MOVE+ILS.

To set the CoDot ILS to respond to an ILS signal:

1. Press **<MENU>** repeatedly until **iLS\_** shows on the display.
2. Use **<UP>** or **<DOWN>** to select from **iLS1** (side 1), **iLS2** (side 2), **iLS3** (side 1), or **iLS4** (side 2).
3. Press **<ENTER>**.

### RFC Remote Control

The CoDot ILS can be operated with an RFC remote or an RFC-XL remote (sold separately).



For more information about using an RFC or RFC-XL remote, download the user manuals from [www.chauvetdj.com](http://www.chauvetdj.com)

### Public RF Mode

To enable any RFC/RFC-XL to control the CoDot ILS, follow the instructions below:

1. Press **<MENU>** repeatedly until **SEt** shows on the display.
2. Press **<ENTER>**.
3. Use **<UP>** or **<DOWN>** to select **rF**.
4. Press **<ENTER>**.
5. Use **<UP>** or **<DOWN>** to select **Pub**.
6. Press **<ENTER>**.

### Disable RF Control

To disable control by RFC/RFC-XL, follow the instructions below:

1. Press **<MENU>** repeatedly until **SEt** shows on the display.
2. Press **<ENTER>**.
3. Use **<UP>** or **<DOWN>** to select **rF**.
4. Press **<ENTER>**.
5. Use **<UP>** or **<DOWN>** to select **oFF**.
6. Press **<ENTER>**.

### RFC Remote Binding

To bind the CoDot ILS to a single RFC/RFC-XL, follow the instructions below:

1. Press **<MENU>** repeatedly until **SEt** shows on the display.
2. Press **<ENTER>**.
3. Use **<UP>** or **<DOWN>** to select **rF**.
4. Press **<ENTER>**.
5. Use **<UP>** or **<DOWN>** to select **Lin**.
6. Press **<ENTER>**.
7. Press and hold **<BLACK OUT>** until it blinks to link the fixture to that RF remote.



If the product successfully links to the RFC/RFC-XL, the display will show **SuC**.  
If the product does not link to an RFC/RFC-XL for whatever reason, the display will show **Ern**.

### RFC Group

The RFC-XL can control multiple products at once in defined groups. To set the CoDot ILS to an RFC-XL group, follow the instructions below:

1. Set the CoDot ILS to public RF mode, or bind the RFC/RFC-XL to the CoDot ILS.
2. Press **<MENU>** repeatedly until **SEt** shows on the display.
3. Press **<ENTER>**.
4. Use **<UP>** or **<DOWN>** to select **rFG**.
5. Press **<ENTER>**.
6. If **on**, use **<UP>** or **<DOWN>** to select the group from **G-1-4**.
7. Press **<ENTER>**.

## RFC Remote Control Operation

| RFC | Button         | Function  |
|-----|----------------|---|
|     | <BLACK OUT>    | Press to turn off all lights until the button is pressed again  |
|     | <STROBE>       | Press to toggle strobe, then use <+> or <-> to increase or decrease strobe speed  |
|     | <DIMMER>       | Press then use <+> or <-> to increase or decrease the dimmer  |
|     | <AUTO>         | Press to activate automatic mode, then press to cycle through programs, or use <+> or <-> to select a program                                 |
|     | <SPD/SENS>     | Press then use <+> or <-> to increase or decrease speed or sensitivity  |
|     | <SOUND>        | Press to activate sound-active mode, then press to cycle through programs, or use <+> or <-> to select a program                              |
|     | <->            | Press to decrease speed, sensitivity, or the dimmer/color value, or to scroll down the list of programs                                       |
|     | <+>            | Press to increase speed, sensitivity, or the dimmer/color value, or to scroll up the list of programs   |
|     | <FREEZE>       | Press to hold current output  |
|     | <R>            | Press to activate manual mode, then use <+> or <-> to increase or decrease the red value, or press to toggle between <b>0</b> and <b>99</b>   |
|     | <G>            | Press to activate manual mode, then use <+> or <-> to increase or decrease the green value, or press to toggle between <b>0</b> and <b>99</b> |
|     | <B>            | Press to activate manual mode, then use <+> or <-> to increase or decrease the blue value, or press to toggle between <b>0</b> and <b>99</b>  |
|     | <W>            | Press to activate manual mode, then use <+> or <-> to increase or decrease the W value, or press to toggle between <b>0</b> and <b>99</b>     |
|     | <FADE/SNAP>    | Press to activate program <b>P02</b>  |
|     | <MANUAL>       | Press to activate manual mode (displays last selected color)  |
|     | <PRESET/COLOR> | Press to activate presets/colors, then use <+> or <-> to select a preset/color  |



The RFC remote will not respond to any inputs when Freeze or Black Out is activated. If the remote does not respond when a button is pressed, try pressing <FREEZE> or <BLACK OUT>. Freeze or Black Out may have been inadvertently activated.

## RFC-XL Remote Control Operation

| RFC                   | Button                            | Function  |
|-----------------------|-----------------------------------|---|
|                       | <b>&lt;ON/OFF&gt;</b>             | Press to power the RFC-XL on or off   |
|                       | Color picker                      | Use to adjust red level (does not correspond to colors printed on remote)   |
|                       | <b>&lt;GROUP&gt;</b>              | Press to cycle between groups 1–4 and public mode   |
|                       | <b>&lt;BLACK OUT&gt;</b>          | Press to turn off all lights until the button is pressed again  |
|                       | <b>&lt;AUTO&gt;</b>               | Press to activate automatic mode, then press to cycle through programs, or use <b>&lt;^&gt;</b> or <b>&lt;v&gt;</b> to select a program                                 |
|                       | <b>&lt;FADE&gt;</b>               | Press to activate program <b>P02</b>  |
|                       | <b>&lt;SOUND&gt;</b>              | Press to activate sound-active mode, then press to cycle through programs, or use <b>&lt;^&gt;</b> or <b>&lt;v&gt;</b> to select a program                              |
|                       | <b>&lt;SPEED/ SENSITIVITY&gt;</b> | Press then use <b>&lt;^&gt;</b> or <b>&lt;v&gt;</b> to increase or decrease speed or sensitivity  |
|                       | <b>&lt;^&gt;</b>                  | Press to increase the selected value, or to scroll up the list of options   |
|                       | <b>&lt;v&gt;</b>                  | Press to decrease the selected value, or to scroll down the list of options   |
|                       | <b>&lt;STROBE&gt;</b>             | Press to toggle strobe, then use <b>&lt;^&gt;</b> or <b>&lt;v&gt;</b> to increase or decrease strobe speed  |
|                       | <b>&lt;DIMMER&gt;</b>             | Press then use <b>&lt;^&gt;</b> or <b>&lt;v&gt;</b> to increase or decrease the dimmer  |
|                       | <b>&lt;RED&gt;</b>                | Press to activate manual mode, then use <b>&lt;^&gt;</b> or <b>&lt;v&gt;</b> to increase or decrease the red value, or press to toggle between <b>0</b> and <b>99</b>   |
|                       | <b>&lt;GREEN&gt;</b>              | Press to activate manual mode, then use <b>&lt;^&gt;</b> or <b>&lt;v&gt;</b> to increase or decrease the green value, or press to toggle between <b>0</b> and <b>99</b> |
|                       | <b>&lt;BLUE&gt;</b>               | Press to activate manual mode, then use <b>&lt;^&gt;</b> or <b>&lt;v&gt;</b> to increase or decrease the blue value, or press to toggle between <b>0</b> and <b>99</b>  |
|                       | <b>&lt;WHITE&gt;</b>              | Press to activate manual mode, then use <b>&lt;^&gt;</b> or <b>&lt;v&gt;</b> to increase or decrease the white value, or press to toggle between <b>0</b> and <b>99</b> |
|                       | <b>&lt;COLOR&gt;</b>              | Press to activate colors, then use <b>&lt;^&gt;</b> or <b>&lt;v&gt;</b> to select a color   |
| <b>&lt;FREEZE&gt;</b> | Press to hold current output      |   |



The RFC-XL remote will not respond to any inputs when Black Out is activated. If the remote does not respond when a button is pressed, try pressing **<BLACK OUT>**. You may have inadvertently activated Black Out.

## 5. Maintenance

### Product Maintenance

Dust build-up reduces light output performance and can cause overheating. This can lead to reduction of the light source's life and/or mechanical wear. To maintain optimum performance and minimize wear, clean all lighting products at least twice a month. However, be aware that usage and environmental conditions could be contributing factors to increase the cleaning frequency.

To clean the product, follow the instructions below:

1. Unplug the product from power.
2. Wait until the product is at room temperature.
3. Use a vacuum (or dry compressed air) and a soft brush to remove dust collected on the external surface/vents.
4. Clean all transparent surfaces with a mild soap solution, ammonia-free glass cleaner, or isopropyl alcohol.
5. Apply the solution directly to a soft, lint free cotton cloth or a lens cleaning tissue.
6. Softly drag any dirt or grime to the outside of the transparent surface.
7. Gently polish the transparent surfaces until they are free of haze and lint.



**Always dry the transparent surfaces carefully after cleaning them.**



## 6. Technical Specifications

### Dimensions and Weight

| Length         | Width          | Height (Fresnel Lens) | Height (Wash Lens) | Weight          |
|----------------|----------------|-----------------------|--------------------|-----------------|
| 2.2 in (57 mm) | 2.2 in (57 mm) | 0.9 in (24 mm)        | 1.33 in (34 mm)    | 0.2 lb (0.1 kg) |

**Note:** Dimensions in inches are rounded.

### Power

| Power Supply Type      | Range                      | Voltage Selection |
|------------------------|----------------------------|-------------------|
| Switching (external)   | 100 to 240 VAC, 50/60 Hz   | Auto-ranging      |
| Parameter              | 120 V, 60 Hz               | 230 V, 50 Hz      |
| Consumption            | 7 W                        | 7 W               |
| Operating Current      | 0.1 A                      | 0.1 A             |
| Power linking products | 4 products                 | 4 products        |
| Power I/O              | U.S./Worldwide             | UK/Europe         |
| Power input connector  | USB type C                 | USB type C        |
| Power output connector | USB type C                 | USB type C        |
| Power supply plug      | Non-grounded Edison (U.S.) | Local plug        |

### Light Source per CoDot ILS

| Type | Color           | Quantity | Power | Current | Lifespan     |
|------|-----------------|----------|-------|---------|--------------|
| LED  | Quad-color RGBW | 1        | 3 W   | 0.8 A   | 50,000 hours |

### Photometrics

| Strobe Rate | Beam Angle (Fresnel Lens) | Beam Angle (Wash Lens) | Illuminance @ 2 m (Fresnel Lens) | Illuminance @ 2 m (Wash Lens) |
|-------------|---------------------------|------------------------|----------------------------------|-------------------------------|
| 0 to 20 Hz  | 14°                       | 19°                    | 442 lux                          | 256 lux                       |

### Thermal

| Maximum External Temperature | Cooling System |
|------------------------------|----------------|
| 104 °F (40 °C)               | Convection     |

### DMX

| I/O Connector | Channel Range |
|---------------|---------------|
| Wireless D-Fi | 4 or 6        |

### Ordering

| Product Name | Item Code | UPC Number   |
|--------------|-----------|--------------|
| CoDot ILS    | 10032358  | 781462227067 |



## Contact Us

| General Information   | Technical Support  |
|---|--|
| <b>Chauvet World Headquarters</b>   |  |
| Address: 3360 Davie Rd., Suite 509<br>Davie, FL 33314<br>Voice: (954) 577-4455<br>Fax: (954) 929-5560<br>Toll Free: (800) 762-1084                      | Voice: (844) 393-7575<br>Fax: (954) 756-8015<br>Email: <a href="mailto:chauvetcs@chauvetlighting.com">chauvetcs@chauvetlighting.com</a><br><br>Website: <a href="http://www.chauvetdj.com">www.chauvetdj.com</a> |
| <b>Chauvet U.K.</b>   |  |
| Address: Pod 1 EVO Park<br>Little Oak Drive, Sherwood Park<br>Nottinghamshire, NG15 0EB<br>UK<br>Voice: +44 (0) 1773 511115<br>Fax: +44 (0) 1773 511110 | Email: <a href="mailto:UKtech@chauvetlighting.eu">UKtech@chauvetlighting.eu</a><br><br>Website: <a href="http://www.chauvetdj.eu">www.chauvetdj.eu</a>   |
| <b>Chauvet Benelux</b>  |  |
| Address: Stokstraat 18<br>9770 Kruishoutem<br>Belgium<br>Voice: +32 9 388 93 97   | Email: <a href="mailto:BNLtech@chauvetlighting.eu">BNLtech@chauvetlighting.eu</a><br><br>Website: <a href="http://www.chauvetdj.eu">www.chauvetdj.eu</a>   |
| <b>Chauvet France</b>   |  |
| Address: 3, Rue Ampère<br>91380 Chilly-Mazarin<br>France<br>Voice: +33 1 78 85 33 59  | Email: <a href="mailto:FRtech@chauvetlighting.fr">FRtech@chauvetlighting.fr</a><br><br>Website: <a href="http://www.chauvetdj.eu">www.chauvetdj.eu</a>   |
| <b>Chauvet Germany</b>  |  |
| Address: Bruno-Bürgel-Str. 11<br>28759 Bremen<br>Germany<br>Voice: +49 421 62 60 20   | Email: <a href="mailto:DEtech@chauvetlighting.de">DEtech@chauvetlighting.de</a><br><br>Website: <a href="http://www.chauvetdj.eu">www.chauvetdj.eu</a>   |
| <b>Chauvet Mexico</b>   |  |
| Address: Av. de las Partidas 34 - 3B<br>(Entrance by Calle 2)<br>Zona Industrial Lerma<br>Lerma, Edo. de México, CP 52000<br>Voice: +52 (728) 690-2010  | Email: <a href="mailto:servicio@chauvet.com.mx">servicio@chauvet.com.mx</a><br><br>Website: <a href="http://www.chauvetdj.mx">www.chauvetdj.mx</a>   |

## Warranty & Returns

For warranty terms and conditions and return information, please visit our website.

For customers in the United States and Mexico: [www.chauvetlighting.com/warranty-registration](http://www.chauvetlighting.com/warranty-registration).

For customers in the United Kingdom, Republic of Ireland, Belgium, the Netherlands, Luxembourg, France, and Germany: [www.chauvetlighting.eu/warranty-registration](http://www.chauvetlighting.eu/warranty-registration).