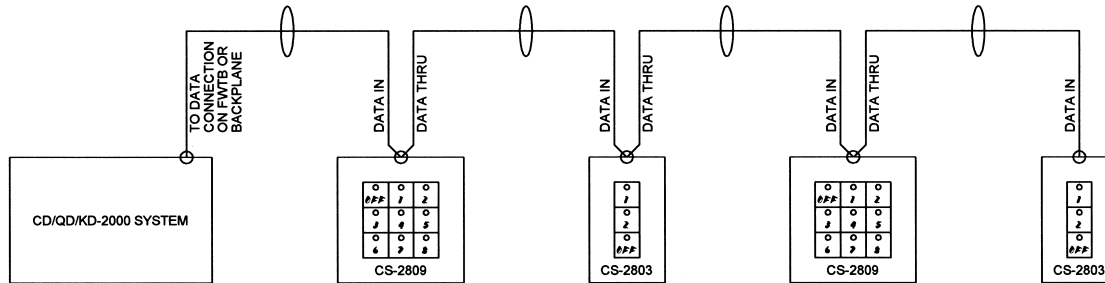
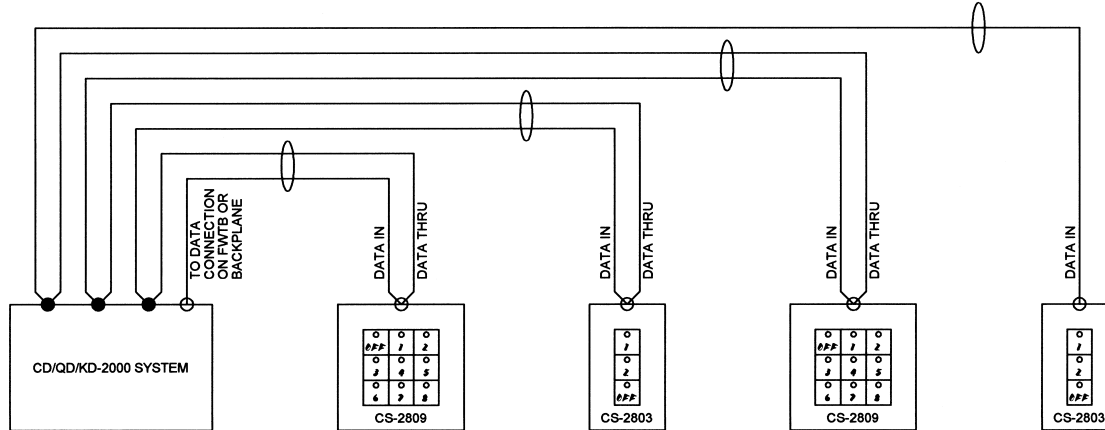


CS-2800 SERIES SYSTEM MANAGEMENT CONTROL STATIONS MUST BE WIRED USING A "DAISY CHAIN" TOPOLOGY

DATA TERMINATION WITH CABLE / WIRE RUN BETWEEN EACH CS-2800 CONTROL STATION



DATA TERMINATION WITH CABLE / WIRE RUN FROM A CENTRAL LOCATION (HOME RUN) TO EACH CS-2800 CONTROL STATION



- = RUN OF CABLE / WIRE
- = TERMINATION TO DATA CONNECTION
- = CONNECTION OF TWO (2) DATA WIRES

NOTE: POWER SUPPLY V+ AND COMMON CONNECTIONS CAN BE WIRED USING ANY TOPOLOGY
 MAXIMUM DATA LENGTH IS 4000 FEET
 MAXIMUM OF 20 CONTROL STATIONS

JOHNSON SYSTEMS INC.
 1923 HIGHFIELD CRESCENT SE
 CALGARY, ALBERTA, CANADA
 T2G 5M1

TITLE: CS-2800 "DAISY CHAIN" WIRING TOPOLOGY		
DRAWN BY: Troy Kirby	CHECKED BY: Shaun Johnson	
SHEET 1 OF 1	REVISION: 1 - 0840	DATE: 22-Sep-2008
FILE: E:\JSI\PCB\ACCS-2800\WIRING TOPOLOGY.dwg - Documents\CS-2800 Wiring Topology		