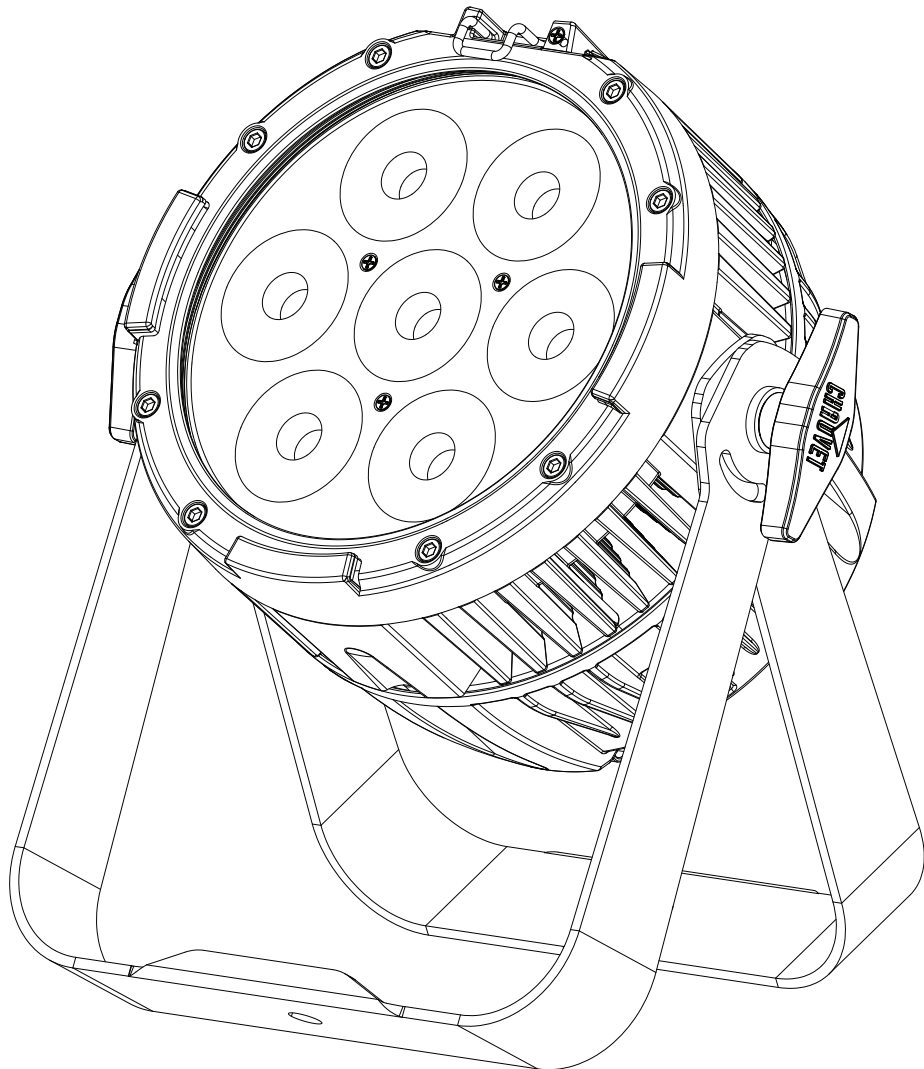


# COLORDash Par-H7IP

## Quick Reference Guide

English	EN
Español	ES
Français	FR
Nederlands	NL



Model ID: COLORDASHPARH7IP

  
**CHAUVET**  
PROFESSIONAL

## About This Guide

The COLORdash Par-H7 IP Quick Reference Guide (QRG) has basic product information such as connection, mounting, menu options, and DMX values. Download the User Manual from [www.chauvetprofessional.com](http://www.chauvetprofessional.com) for more details.

### Disclaimer

The information and specifications contained in this QRG are subject to change without notice.

### LIMITED WARRANTY

**FOR WARRANTY REGISTRATION AND COMPLETE TERMS AND CONDITIONS PLEASE VISIT OUR WEBSITE.**

**For Customers in the United States and Mexico:** [www.chauvetlighting.com/warranty-registration](http://www.chauvetlighting.com/warranty-registration)

**For Customers in the United Kingdom, Republic of Ireland, Belgium, the Netherlands, Luxembourg, France, and Germany:** [www.chauvetlighting.eu/warranty-registration/](http://www.chauvetlighting.eu/warranty-registration/)

Chauvet warrants that this product shall be free from defects in material and workmanship under normal use, for the period specified in and subject to the exclusions and limitations set forth in, the full limited warranty on our website. This warranty extends only to the original purchaser of the product and is not transferable. To exercise rights under this warranty, you must provide proof of purchase in the form of an original sales receipt from an authorized dealer that shows the product name and date of purchase. THERE ARE NO OTHER EXPRESS OR IMPLIED WARRANTIES. This warranty gives you specific legal rights. You may also have other rights that vary from state to state and country to country. This warranty is valid only in the United States, United Kingdom, Republic of Ireland, Belgium, the Netherlands, Luxembourg, France, Germany and Mexico. For warranty terms in other countries, please consult your local distributor.

### Safety Notes

These Safety Notes include important information about installation, use, and maintenance.

- The luminaire should be positioned so that prolonged staring into the luminaire at a distance closer than 2.9 m is not expected.
- If the external flexible cable or cord of this luminaire is damaged, it shall be replaced by a special cord or cord exclusively available from the manufacturer or his service agent.
- The light source contained in this luminaire shall only be replaced by the manufacturer or his service agent or a similar qualified person.
- The luminaire is intended for professional use only.
- DO NOT open this product. It contains no user-serviceable parts.
- To eliminate unnecessary wear and improve its lifespan, during periods of non-use completely disconnect the product from power via breaker or by unplugging it.
- DO NOT look at the light source when the product is on.
- CAUTION: This product's housing may be hot when lights are operating. Mount this product in a location with adequate ventilation, at least 20 in (50 cm) from adjacent surfaces.
- DO NOT leave any flammable material within 50 cm of this product while operating or connected to power.
- CAUTION: When transferring product from extreme temperature environments, (e.g., cold truck to warm humid ballroom) condensation may form on the internal electronics of the product. To avoid causing a failure, allow product to fully acclimate to the surrounding environment before connecting it to power.
- The product is not intended for permanent installation.
- Not for permanent outdoor installation in locations with extreme environmental conditions. This includes, but is not limited to:
  - Exposure to a marine/saline environment (within 3 miles of a saltwater body of water).
  - Where the normal high or low temperatures of the location exceed the temperature ranges in this manual.
  - Locations that are prone to flooding or being buried in snow.
  - Other areas where the product will be subject to extreme radiation or caustic substances.
- USE a safety cable when mounting this product overhead.
- DO NOT submerge this product (IP65). Temporary outdoor operation is fine.
- DO NOT operate this product if the housing, lenses, or cables appear damaged.
- DO NOT connect this product to a dimmer or rheostat.
- ONLY connect this product to a grounded and protected circuit.
- ONLY use the hanging/mounting bracket to carry this product.
- In the event of a serious operating problem, stop using immediately.
- The maximum ambient temperature is 113 °F (45 °C). Do not operate this product at higher temperatures.

### Contact

Outside the U.S., U.K., Ireland, Mexico, France, Germany, or Benelux, contact your distributor to request support or return a product. From inside the U.S., UK, Ireland, France, Germany, Mexico, or Benelux, use the information in [Contact Us](#) at the end of this QRG.

**What is Included**

- COLORdash Par-H7 IP
- Seetronic Powerkon IP65 power cord
- Quick Reference Guide

**AC Power**

This product has an auto-ranging power supply that can work with an input voltage range of 100–240 VAC, 50/60 Hz.

**Power Linking**

You can link up to 19 COLORdash Par-H7 IP products at 100 VAC, 23 at 120 VAC, 39 at 208 VAC, 42 at 230 VAC or 44 at 240 VAC. Never exceed this number. Power linking cords can be purchased separately.

**AC Plug**

Connection	Wire (U.S.)	Wire (Europe)	Screw Color
AC Live	Black	Brown	Yellow/Brass
AC Neutral	White	Blue	Silver
AC Ground	Green/Yellow	Green/Yellow	Green



- To eliminate unnecessary wear and improve its lifespan, during periods of non-use completely disconnect the product from power via breaker or by unplugging it.
- When using this product in an outdoor IP65 type environment, be sure to use IP65 (or higher) rated power cables and secure unused ports with attached IP65 covers.

**DMX Linking**

The COLORdash Par-H7 IP will work with a DMX controller using a 5-pin DMX serial connection. A DMX Primer is available from [www.chauvetprofessional.com](http://www.chauvetprofessional.com).

**DMX Connection**

The COLORdash Par-H7 IP uses a 5-pin DMX data connection for its DMX personalities: **6Ch**, **8Ch**, and **13Ch**. See the User Manual for information about connecting and configuring the product for DMX operation.



**When using this product in an outdoor IP65 type environment, be sure to use IP65 (or higher) rated data cables and secure unused ports with attached IP65 covers.**

**Master/Slave Connection**

The COLORdash Par-H7 IP uses the DMX data connection for its Master/Slave mode. See the User Manual for information about how to connect and configure the product for master/slave operation.

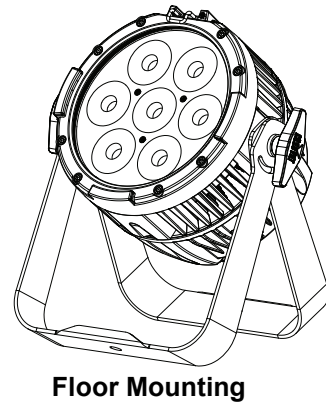
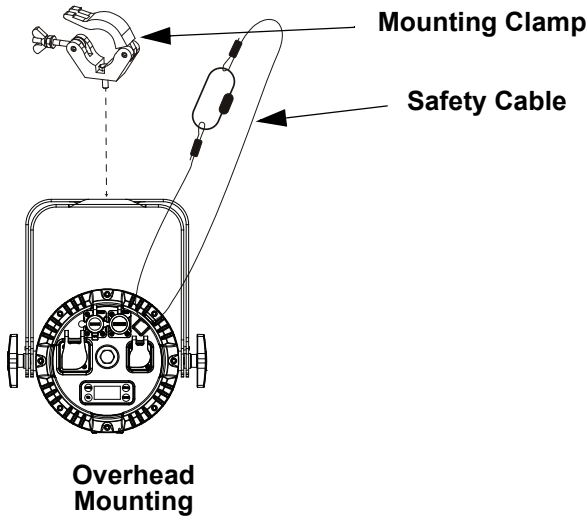
**RDM (Remote Device Management)**

Remote Device Management, or RDM, is a standard for allowing DMX-enabled devices to communicate bi-directionally along existing DMX cabling. Check the DMX controller’s User Manual or with the manufacturer as not all DMX controllers have this capability. The COLORdash Par-H7 IP supports RDM protocol that allows feedback to make changes to menu map options. Download the User Manual from [www.chauvetprofessional.com](http://www.chauvetprofessional.com) for more details.

**Mounting**

Before mounting this product, read the [Safety Notes](#). Use at least one mounting point per product. Make sure the mounting clamps are capable of supporting the weight of the product. For our Chauvet line of mounting clamps, go to <http://trusst.com/productcategory/truss-clamps/>

**Product Mounting Diagram**



**Control Panel Description**

Button	Function
<MENU>	Exits from the current menu or function
<ENTER>	Enables the currently displayed menu or sets the currently selected value into the selected function
<UP>	Navigates upwards through the menu list or increases the numeric value when in a function
<DOWN>	Navigates downwards through the menu list or decreases the numeric value when in a function

**Passcode**

After being prompted, enter the following passcode by pressing:

<UP>, <DOWN>, <UP>, <DOWN>, <ENTER>

This passcode cannot be changed and must be used whenever prompted.

**Menu Map**

Main Level	Programming Levels	Description
DMX Address	001–512	Selects DMX address (highest channel restricted to personality chosen)
	6 CH	6-channel: RGBAWP control
DMX Channel	8 CH	8-channel: RGBAWP control, dimmer, and strobe
	13CH	13-channel: RGBWAP control, dimmer, strobe, color macro/white balance, white temperature, auto programs, auto speed, dimmer speed

Main Level	Programming Levels		Description
Static	Fixed Color	R	Red
		G	Green
		B	Blue
		A	Amber
		W	White
		P	Ultraviolet (UV)
		RG	Red/Green
		RB	Red/Blue
		RA	Red/Amber
		RW	Red/White
		RP	Red/UV
		GB	Green/Blue
		GA	Green/Amber
		GW	Green/White
		GP	Green/UV
		BA	Blue/Amber
		BW	Blue/White
		BP	Blue/UV
		AW	Amber/White
		AP	Amber/UV
		WP	White/UV
		RGB	Red/Green/Blue
		RGA	Red/Green/Amber
		RGW	Red/Green/White
		RGP	Red/Green/UV
		RBA	Red/Blue/Amber
		RBW	Red/Blue/White
		RBP	Red/Blue/UV
		RAW	Red/Amber/White
		RAP	Red/Amber/UV
		RWP	Red/White/UV
		GBA	Green/Blue/Amber
		GBW	Green/Blue/White
		GBP	Green/Blue/UV
GAW	Green/Amber/White		
GAP	Green/Amber/UV		
GWP	Green/White/UV		
BAW	Blue/Amber/White		
BAP	Blue/Amber/UV		
BWP	Blue/White/UV		
AWP	Amber/White/UV		

## QUICK REFERENCE GUIDE



EN

Main Level	Programming Levels		Description	
<b>Static</b>	<b>Fixed Color</b>		<b>RGBA</b>	Red/Green/Blue/Amber
			<b>RGBW</b>	Red/Green/Blue/White
			<b>RGBP</b>	Red/Green/Blue/UV
			<b>RGAW</b>	Red/Green/Amber/White
			<b>RGAP</b>	Red/Green/Amber/UV
			<b>RGWP</b>	Red/Green/White/UV
			<b>RBAW</b>	Red/Blue/Amber/White
			<b>RBAP</b>	Red/Blue/Amber/UV
			<b>RBWP</b>	Red/Blue/White/UV
			<b>RAWP</b>	Red/Amber/White/UV
			<b>GBAW</b>	Green/Blue/Amber/White
			<b>GBAP</b>	Green/Blue/Amber/UV
			<b>GBWP</b>	Green/Blue/White/UV
			<b>GAWP</b>	Green/Amber/White/UV
			<b>BAWP</b>	Blue/Amber/White/UV
			<b>RGBAW</b>	Red/Green/Blue/Amber/White
			<b>RGBAP</b>	Red/Green/Blue/Amber/UV
			<b>RGBWP</b>	Red/Green/Blue/White/UV
			<b>RGAWP</b>	Red/Green/Amber/White/UV
			<b>RBAWP</b>	Red/Blue/Amber/White/UV
			<b>GBAWP</b>	Green/Blue/Amber/White/UV
			<b>RGBAWP</b>	Red/Green/Blue/Amber/White/UV
			<b>Color Temperature</b>	<b>Color Temperature</b>
<b>Warm White 2</b>				
<b>Warm White 3</b>				
<b>Neutral White 1</b>				
<b>Neutral White 2</b>				
<b>Neutral White 3</b>				
<b>Daylight 1</b>				
<b>Daylight 2</b>				
<b>Daylight3</b>				
<b>Moving Head White</b>				
<b>Manual Color Mixer</b>	<b>Manual Color Mixer</b>	<b>Red</b>	<b>0-255</b>	Combine red, green, blue, amber, white, and ultraviolet to make a custom color (0–100%)
		<b>Green</b>		
		<b>Blue</b>		
		<b>Amber</b>		
		<b>White</b>		
		<b>UV</b>		
<b>Auto Show</b>	<b>Auto 1-5</b>	<b>1-100</b>	Automatic programs	
<b>Master/Slave Mode</b>	<b>Master</b>		DMX mode (Master)	
	<b>Slave</b>		Slave mode	
	<b>Off</b>		No dimmer	
<b>Dimmer Mode</b>	<b>Dimmer 1–3</b>		Dimming curves <b>Dimmer 1</b> (fast) to <b>Dimmer 3</b> (slow)	
<b>White Balance</b>	<b>Off</b>		Uses factory default white setting	
	<b>Manual</b>	<b>Red</b>	<b>125-255</b>	Sets red LED maximum value
		<b>Green</b>		Sets green LED maximum value
		<b>Blue</b>		Sets blue LED maximum value
		<b>Amber</b>		Sets amber LED maximum value
		<b>White</b>		Sets white LED maximum value
		<b>UV</b>		Sets UV LED maximum value

Main Level	Programming Levels	Description
LED Frequency	600Hz	Selects the PWM output frequency
	1200Hz	
	2000Hz	
	4000Hz	
	6000Hz	
	25kHz	
Back Light	On	Display backlight always on
	10S	Turns off display backlight after 10 sec of inactivity
	20S	Turns off display backlight after 20 sec of inactivity
	30S	Turns off display backlight after 30 sec of inactivity
Key Lock	On	Turns the passcode on or off
	Off	
Information	Fixture Hours	Shows total product hours
	Version	Shows installed software version
	UID	Shows product UID
	Battery	Shows battery level
Reset Factory	No	Reset all settings to factory defaults
	Yes	

DMX Values

13Ch	Channel	Function	Value	Percent/Setting
	1	Dimmer	000 ⇄ 255	0-100%
	2	Red	000 ⇄ 255	0-100%
	3	Green	000 ⇄ 255	0-100%
	4	Blue	000 ⇄ 255	0-100%
	5	Amber	000 ⇄ 255	0-100%
	6	White	000 ⇄ 255	0-100%
	7	Purple (UV)	000 ⇄ 255	0-100%
	8	Strobe	000 ⇄ 010	No function
			011 ⇄ 255	Slow to fast
	9	Color Macro + White Balance	000 ⇄ 010	No function
			011 ⇄ 030	R:100% G: 0-100% B: 0
			031 ⇄ 050	R:100%-0 G: 100% B: 0
			051 ⇄ 070	R:0 G: 100% B: 0-100%
			071 ⇄ 090	R:0 G: 100%-0 B: 100%
			091 ⇄ 110	R:0-100% G: 0 B: 100%
			111 ⇄ 130	R:100% G: 0 B: 100%-0
			131 ⇄ 150	R:100% G: 0-100% B: 0-100%
			151 ⇄ 170	R:100%-0 G: 100%-0 B: 100%
			171 ⇄ 200	RGB: 100%
			201 ⇄ 205	White 1
			206 ⇄ 210	White 2
			211 ⇄ 215	White 3
			216 ⇄ 220	White 4
			221 ⇄ 225	White 5
			226 ⇄ 230	White 6
			231 ⇄ 235	White 7
			236 ⇄ 240	White 8
	241 ⇄ 245	White 9		
	246 ⇄ 250	White 10		
	251 ⇄ 255	White 11		

## QUICK REFERENCE GUIDE



EN

13Ch	Channel	Function	Value	Percent/Setting
	10	Color Temperature	000 ⇔ 005	No function
			006 ⇔ 025	Warm White 1
			026 ⇔ 050	Warm White 2
			051 ⇔ 075	Warm White 3
			076 ⇔ 100	Neutral White 1
			101 ⇔ 125	Neutral White 2
			126 ⇔ 150	Neutral White 3
			151 ⇔ 175	Daylight 1
			176 ⇔ 200	Daylight 2
			201 ⇔ 225	Daylight 3
			226 ⇔ 250	Moving Head White
			251 ⇔ 255	No function
	11	Auto Programs	000 ⇔ 010	No function
			011 ⇔ 060	Auto program 1
			061 ⇔ 110	Auto program 2
			111 ⇔ 160	Auto program 3
			161 ⇔ 210	Auto program 4
211 ⇔ 255	Auto program 5			
12	Auto Speed	000 ⇔ 255	0-100%	
	13	Dimmer Speed	000 ⇔ 051	Preset dimmer speed from display menu
			052 ⇔ 101	Linear dimmer
			102 ⇔ 152	Nonlinear dimming curve 1 (fastest)
			153 ⇔ 203	Nonlinear dimming curve 2
204 ⇔ 255	Nonlinear dimming curve 3 (slowest)			

8Ch	Channel	Function	Value	Percent/Setting
	1	Dimmer	000 ⇔ 255	0-100%
	2	Red	000 ⇔ 255	0-100%
	3	Green	000 ⇔ 255	0-100%
	4	Blue	000 ⇔ 255	0-100%
	5	Amber	000 ⇔ 255	0-100%
	6	White	000 ⇔ 255	0-100%
	7	Purple (UV)	000 ⇔ 255	0-100%
	8	Strobe	000 ⇔ 010 011 ⇔ 255	No function Slow to fast

6Ch	Channel	Function	Value	Percent/Setting
	1	Red	000 ⇔ 255	0-100%
	2	Green	000 ⇔ 255	0-100%
	3	Blue	000 ⇔ 255	0-100%
	4	Amber	000 ⇔ 255	0-100%
	5	White	000 ⇔ 255	0-100%
	6	Purple (UV)	000 ⇔ 255	0-100%



## Acerca de Esta Guía

La Guía de Referencia Rápida (GRR) del COLORdash Par-H7 IP contiene información básica sobre el producto, como montaje, opciones de menú y valores DMX. Descargue el Manual de Usuario de [www.chauvetprofessional.com](http://www.chauvetprofessional.com) fpara información más detallada.

## Exención de Responsabilidad

La información y especificaciones contenidas en esta GRR están sujetas a cambio sin previo aviso.

## GARANTÍA LIMITADA

**PARA VER EL REGISTRO DE GARANTÍA Y LOS TÉRMINOS Y CONDICIONES COMPLETOS, VISITE NUESTRO SITIO WEB.**

**Para clientes en los Estados Unidos y México:** [www.chauvetlighting.com/warranty-registration](http://www.chauvetlighting.com/warranty-registration)

**Para clientes en Reino Unido, República de Irlanda, Bélgica, Países Bajos, Luxemburgo, Francia y Alemania:** [www.chauvetlighting.eu/warranty-registration/](http://www.chauvetlighting.eu/warranty-registration/)

Chauvet garantiza que este producto estará libre de defectos de material y mano de obra en condiciones de uso normales, durante el periodo especificado, sujeto siempre a las exclusiones y limitaciones establecidas en la garantía limitada completa de nuestro sitio web. Esta garantía se concede únicamente al comprador original del producto y no es transferible. Para ejercer los derechos que otorga esta garantía, usted debe proporcionar una prueba de compra en forma de un recibo de compra original, expedido por un distribuidor autorizado, donde figure el nombre del producto y la fecha de compra. **NO EXISTEN OTRAS GARANTÍAS EXPRESAS NI IMPLÍCITAS.** Esta garantía le otorga derechos legales específicos. Es posible que a usted le asistan otros derechos, que variarán dependiendo del estado o del país. Esta garantía solamente es válida en los Estados Unidos, Reino Unido, República de Irlanda, Bélgica, Países Bajos, Luxemburgo, Francia, Alemania y México. Para conocer los términos de garantía en otros países, consulte a su distribuidor local.

## Notas de Seguridad

Estas notas de seguridad incluyen información importante sobre el montaje, uso y mantenimiento.

- Este producto debe colocarse de forma que la fuente de luz se encuentre a más de 2,9 m de distancia de los ojos de cualquier persona.
- Sustituya los cables dañados SOLO con cables idénticos o equivalentes, disponibles a través del fabricante o de su agente de servicio.
- Solo el fabricante, su agente de servicio o un técnico de similar cualificación deben reemplazar la fuente de luz contenida en este producto.
- Este producto está destinado exclusivamente a un uso profesional.
- NO abra este producto. No contiene piezas reparables por el usuario.
- Para evitar un desgaste innecesario y alargar su vida útil, desconecte complemente el producto de la alimentación, mediante el interruptor o desenchufándolo, durante los periodos en los que no se use.
- NO mire a la fuente de luz cuando el producto esté encendido.
- CUIDADO: La carcasa de este producto está caliente cuando las luces están en funcionamiento.
- Monte este producto en una ubicación con ventilación adecuada, al menos a 20" (50 cm) de superficies adyacentes.
- NO deje ningún material inflamable a menos de 50 cm de este producto mientras esté funcionando o conectado a la alimentación.
- Cuidado: cuando transfiera el producto desde ambientes con temperatura extrema (p. ej., del remolque frío de un camión a una sala de baile con calor y humedad), puede formarse condensación en la electrónica interna del producto. Para evitar que se produzca una avería, deje que el producto se aclimate completamente al ambiente antes de conectar la alimentación.
- No apto para la instalación permanente en exteriores en lugares con condiciones ambientales extremas. Estas incluyen, sin limitarse a ellas:
  - Exposición a un ambiente marino/salino (a menos de 4,8 km de una masa de agua salada).
  - Cuando las temperaturas máxima o mínima habituales del lugar superan los rangos de temperatura en este manual.
  - Lugares proclives a inundaciones o a ser sepultados por la nieve.
  - Otras zonas en las que el producto esté expuesto a radiación extrema o sustancias cáusticas.
- USE un cable de seguridad cuando monte este producto en lo alto.
- NO sumerja este producto (IP65). La operación normal en exteriores es correcta.
- NO ponga en funcionamiento este producto si sospecha que la carcasa, lentes o cables están dañados.
- NO conecte este producto a un atenuador o reostato.
- Conecte este producto SOLO a un circuito con toma de tierra y protegido.
- Use SOLAMENTE los soportes de colgar/montar para mover este producto.
- En caso de un problema grave de funcionamiento, deje de usarlo inmediatamente.
- La máxima temperatura ambiente es de 113 °F (45 °C). No haga funcionar este producto a temperaturas más altas.

## Contacto

Fuera de EE.UU., Reino Unido, Irlanda, Francia, Alemania, México o Benelux, póngase en contacto con su distribuidor para solicitar asistencia o devolver el producto. Visite [Contact Us](#) para información de contacto.

## Qué va Incluido

- COLORdash Par-H7 IP
- Guía de Referencia Rápida
- Seetronic Powerkon IP65 cable de alimentación

## Corriente Alterna

Este producto tiene una fuente de alimentación con detección automática que puede funcionar con un rango de tensión de entrada de 100 a 240 VCA, 50/60 Hz.

### Alimentación en Cadena

Puede enlazar hasta 19 productos COLORdash Par-H7 IP a 100 V, 23 a 120 V, 39 a 208 V, 42 a 230 V o 44 a 240 V. Nunca sobrepase este número. Los cables de alimentación en cadena se pueden adquirir por separado

### Enchufe CA

Conexión	Cable (EE.UU.)	Cable (Europa)	Color del tornillo
CA Cargado	Negro	Marrón	Amarillo/Latón
CA Neutro	Blanco	Azul	Plata
CA Tierra	Verde/Amarillo	Verde/Amarillo	Verde



- Para evitar un desgaste innecesario y alargar su vida útil, desconecte completamente el producto de la alimentación, mediante el interruptor o desenchufándolo, durante los periodos en los que no se use.
- Cuando utilice este producto en exteriores, use cables de datos y alimentación con protección IP65 (o superior). Asegúrese de proteger los puertos de datos y alimentación que no se usen colocando tapas IP65.

## Enlace DMX

El COLORdash Par-H7 IP funcionará con un controlador DMX usando una conexión serie DMX normal. Hay un manual DMX disponible en [www.chauvetprofessional.com](http://www.chauvetprofessional.com).

### Conexión DMX

El COLORdash Par-H7 IP usa una conexión de datos DMX normal para sus personalidades: **6Ch**, **8Ch**, y **13Ch**. Vea el Manual de Usuario para conectar y configurar para funcionamiento DMX.



**Cuando utilice este producto en exteriores con ambiente tipo IP65, asegúrese de usar cables de datos con protección IP65 (o superior) y de proteger los puertos que no se usen colocando tapas IP65.**

### Conexión Maestro/Esclavo

El COLORdash Par-H7 IP usa la conexión de datos DMX para su modo Maestro/Esclavo. Vea el Manual de Usuario para conectar y configurar para funcionamiento Maestro/Esclavo.

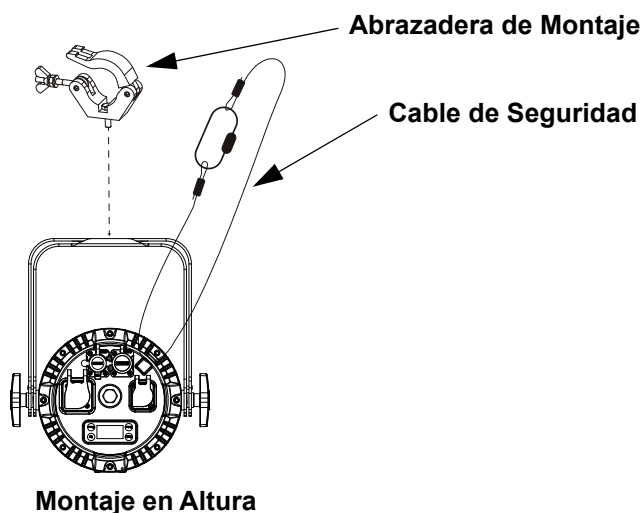
### RDM (gestión remota del dispositivo)

Remote Device Management (gestión remota del dispositivo) o RDM, es un estándar que permite a los dispositivos con capacidad DMX una comunicación bidireccional por un cableado DMX existente. El COLORdash Par-H7 IP admite protocolo RDM, que posibilita información para supervisar cambiar las opciones del mapa de menú. Descargue el manual de usuario de [www.chauvetprofessional.com](http://www.chauvetprofessional.com) para una información más detallada.

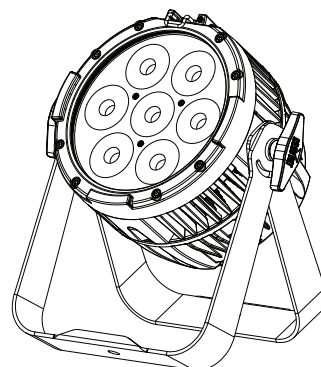
## Montaje

Antes de montar este producto, lea las [Notas de Seguridad](#). Asegúrese de que las abrazaderas de montaje son capaces de soportar el peso del producto. Para nuestra línea Chauvet de abrazaderas de montaje, visite <http://trusst.com/productcategory/truss-clamps/>

## Diagrama de Montaje del Producto



Montaje en Altura



Montaje en el Suelo

## Descripción del Panel de Control

Botón	Función
<MENU>	Sale del menú o función actual
<ENTER>	Habilita el menú actualmente en pantalla o configura el valor seleccionado actualmente dentro de la función seleccionada
<UP>	Navega hacia arriba por la lista de menú o aumenta el valor numérico cuando está en una función
<DOWN>	Navega hacia abajo por la lista de menú o disminuye el valor numérico cuando está en una función

## Código de acceso

Después de que se le solicite, introduzca el siguiente código de acceso pulsando:

<UP>, <DOWN>, <UP>, <DOWN>, <ENTER>

Este código no se puede cambiar y se debe usar cuando se le solicite.

## Mapa de Menú

Nivel Principal	Niveles de Programación	Descripción
DMX Address	001–512	Selecciona la dirección DMX (canal restringido a la personalidad elegida)
DMX Channel	6 CH	6 canales: control RVABÁ+UV
	8 CH	8 canales: atenuador, RVABÁ+UV, estroboscopio
	13CH	13 canales: atenuador, RVABÁ+UV, estroboscopio, macro de color/ equilibrio de blancos, programas automáticos, velocidad automática, velocidad atenuador

Nivel Principal	Niveles de Programación		Descripción
<b>Static</b>	<b>Fixed Color</b>	<b>R</b>	Rojo
		<b>G</b>	Verde
		<b>B</b>	Azul
		<b>A</b>	Ámbar
		<b>W</b>	Blanco
		<b>P</b>	Ultravioleta (UV)
		<b>RG</b>	Rojo/Verde
		<b>RB</b>	Rojo/Azul
		<b>RA</b>	Rojo/Ámbar
		<b>RW</b>	Rojo/Blanco
		<b>RP</b>	Rojo/UV
		<b>GB</b>	Verde/Azul
		<b>GA</b>	Verde/Ámbar
		<b>GW</b>	Verde/Blanco
		<b>GP</b>	Verde/UV
		<b>BA</b>	Azul/Ámbar
		<b>BW</b>	Azul/Blanco
		<b>BP</b>	Azul/UV
		<b>AW</b>	Ámbar/Blanco
		<b>AP</b>	Ámbar/UV
		<b>WP</b>	Blanco/UV
		<b>RGB</b>	Rojo/Verde/Azul
		<b>RGA</b>	Rojo/Verde/Ámbar
		<b>RGW</b>	Rojo/Verde/Blanco
		<b>RGP</b>	Rojo/Verde/UV
		<b>RBA</b>	Rojo/Azul/Ámbar
		<b>RBW</b>	Rojo/Azul/Blanco
		<b>RBP</b>	Rojo/Azul/UV
		<b>RAW</b>	Rojo/Ámbar/Blanco
		<b>RAP</b>	Rojo/Ámbar/UV
<b>RWP</b>	Rojo/Blanco/UV		
<b>GBA</b>	Verde/Azul/Ámbar		
<b>GBW</b>	Verde/Azul/Blanco		
<b>GBP</b>	Verde/Azul/UV		
<b>GAW</b>	Verde/Ámbar/Blanco		
<b>GAP</b>	Verde/Ámbar/UV		
<b>GWP</b>	Verde/Blanco/UV		

Nivel Principal	Niveles de Programación		Descripción	
Static	Fixed Color	<b>BAW</b>	Azul/Ámbar/Blanco	
		<b>BAP</b>	Azul/Ámbar/UV	
		<b>BWP</b>	Azul/Blanco/UV	
		<b>AWP</b>	Ámbar/Blanco/UV	
		<b>RGBA</b>	Rojo/Verde/Azul/Ámbar	
		<b>RGBW</b>	Rojo/Verde/Azul/Blanco	
		<b>RGBP</b>	Rojo/Verde/Azul/UV	
		<b>RGAW</b>	Rojo/Verde/Ámbar/Blanco	
		<b>RGAP</b>	Rojo/Verde/Ámbar/UV	
		<b>RGWP</b>	Rojo/Verde/Blanco/UV	
		<b>RBAW</b>	Rojo/Azul/Ámbar/Blanco	
		<b>RBAP</b>	Rojo/Azul/Ámbar/UV	
		<b>RBWP</b>	Rojo/Azul/Blanco/UV	
		<b>RAWP</b>	Rojo/Ámbar/Blanco/UV	
		<b>GBAW</b>	Verde/Azul/Ámbar/Blanco	
		<b>GBAP</b>	Verde/Azul/Ámbar/UV	
		<b>GBWP</b>	Verde/Azul/Blanco/UV	
		<b>GAWP</b>	Verde/Ámbar/Blanco/UV	
		<b>BAWP</b>	Azul/Ámbar/Blanco/UV	
		<b>RGBAW</b>	Rojo/Verde/Azul/Ámbar/Blanco	
		<b>RGBAP</b>	Rojo/Verde/Azul/Ámbar/UV	
		<b>RGBWP</b>	Rojo/Verde/Azul/Blanco/UV	
		<b>RGAWP</b>	Rojo/Verde/Ámbar/Blanco/UV	
	<b>RBAWP</b>	Rojo/Azul/Ámbar/Blanco/UV		
	<b>GBAWP</b>	Verde/Azul/Ámbar/Blanco/UV		
	<b>RGBAWP</b>	Rojo/Verde/Azul/Ámbar/Blanco/UV		
	Color Temperature		<b>Warm White 1</b>	Temperaturas de color blanco
			<b>Warm White 2</b>	
			<b>Warm White 3</b>	
			<b>Neutral White 1</b>	
			<b>Neutral White 2</b>	
			<b>Neutral White 3</b>	
			<b>Daylight 1</b>	
			<b>Daylight 2</b>	
			<b>Daylight 3</b>	
Manual Color Mixer		<b>Red</b>	0-255	
		<b>Green</b>		
		<b>Blue</b>		
		<b>Amber</b>		
		<b>White</b>		
		<b>UV</b>		
<b>Auto Show</b>	<b>Auto 1-5</b>	<b>1-100</b>	Programas automáticos	
<b>Master/Slave Mode</b>	<b>Master</b>		Selecciona el modo DMX (Maestro)	
	<b>Slave</b>		Selecciona el modo Esclavo	
	<b>Off</b>		Sin atenuador	
<b>Dimmer Mode</b>	<b>Dimmer 1-3</b>		Curvas de atenuación <b>DIM 1</b> (rapida) a <b>DIM 3</b> (lenta)	

Nivel Principal	Niveles de Programación		Descripción	
White Balance	Off		Utiliza la configuración de blanco predeterminada de fábrica	
	Manual	Red	125-255	Establece el valor máximo de LED Rojo
		Green		Establece el valor máximo de LED Verde
		Blue		Establece el valor máximo de LED Azul
		Amber		Establece el valor máximo de LED Ámbar
		White		Establece el valor máximo de LED Blanco
		UV		Establece el valor máximo de LED UV
LED Frequency	600Hz		Selecciona la frecuencia de emisión PWM	
	1200Hz			
	2000Hz			
	4000Hz			
	6000Hz			
	25kHz			
Back Light	On		Retro-iluminación de la pantalla siempre activa	
	10S		Retro-iluminación de la pantalla se apaga después de 10 segundos de inactividad	
	20S		Retro-iluminación de la pantalla se apaga después de 20 segundos de inactividad	
	30S		Retro-iluminación de la pantalla se apaga después de 30 segundos de inactividad	
Key Lock	On		Activa o desactiva el código de acceso off	
	Off			
Information	Fixture Hours		Muestra las horas totales del producto	
	Version		Muestra la versión de software instalada	
	UID		Muestra actual UID #	
	Battery		Muestra el nivel de la batería	
Reset Factory	No		Reinicia a la configuración de fábrica	
	Yes			

**Valores DMX**

13Ch	Canal	Función	Valor	Porcentaje/Configuración
	1	Atenuador	000 ⇔ 255	0-100%
	2	Rojo	000 ⇔ 255	0-100%
	3	Verde	000 ⇔ 255	0-100%
	4	Azul	000 ⇔ 255	0-100%
	5	Ámbar	000 ⇔ 255	0-100%
	6	Blanco	000 ⇔ 255	0-100%
	7	Púrpura (UV)	000 ⇔ 255	0-100%
	8	Estroboscopio	000 ⇔ 010 011 ⇔ 255	Sin función Lento a rapido
	9	Macro de color + Equilibrio de Blancos	000 ⇔ 010 011 ⇔ 030 031 ⇔ 050 051 ⇔ 070 071 ⇔ 090 091 ⇔ 110 111 ⇔ 130 131 ⇔ 150 151 ⇔ 170 171 ⇔ 200 201 ⇔ 205 206 ⇔ 210 211 ⇔ 215 216 ⇔ 220 221 ⇔ 225 226 ⇔ 230 231 ⇔ 235 236 ⇔ 240 241 ⇔ 245 246 ⇔ 250 251 ⇔ 255	Sin función R:100% V: 0-100% A: 0 R:100%-0 V: 100% A: 0 R:0 V: 100% A: 0-100% R:0 V: 100%-0 A: 100% R:0-100% V: 0 A: 100% R:100% V: 0 A: 100%-0 R:100% V: 0-100% A: 0-100% R:100%-0 V: 100%-0 A: 100% RVA: 100% Blanco 1 Blanco 2 Blanco 3 Blanco 4 Blanco 5 Blanco 6 Blanco 7 Blanco 8 Blanco 9 Blanco 10 Blanco 11
	10	Temperaturas de color	000 ⇔ 005 006 ⇔ 025 026 ⇔ 050 051 ⇔ 075 076 ⇔ 100 101 ⇔ 125 126 ⇔ 150 151 ⇔ 175 176 ⇔ 200 201 ⇔ 225 226 ⇔ 250 251 ⇔ 255	Sin función Blanco cálido 1 Blanco cálido 2 Blanco cálido 3 Blanco neutro 1 Blanco neutro 2 Blanco neutro 3 Luz diurna 1 Luz diurna 2 Luz diurna 3 Cabeza móvil blanco Sin función
	11	Programas Automáticos	000 ⇔ 010 011 ⇔ 060 061 ⇔ 110 111 ⇔ 160 161 ⇔ 210 211 ⇔ 255	Sin función Programas automáticos 1 Programas automáticos 2 Programas automáticos 3 Programas automáticos 4 Programas automáticos 5
	12	Velocidad Automática	000 ⇔ 255	0-100%
	13	Velocidad Atenuador	000 ⇔ 051 052 ⇔ 101 102 ⇔ 152 153 ⇔ 203 204 ⇔ 255	Pre configura la velocidad del atenuador desde la pantalla de menú Atenuador lineal Curva de atenuación no-lineal 1 (la más rápida) Curva de atenuación no-lineal 2 Curva de atenuación no-lineal 3 (la más lenta)

8Ch	Canal	Función	Valor	Porcentaje/Configuración
	1	Atenuador	000 ⇔ 255	0-100%
	2	Rojo	000 ⇔ 255	0-100%
	3	Verde	000 ⇔ 255	0-100%
	4	Azul	000 ⇔ 255	0-100%
	5	Ámbar	000 ⇔ 255	0-100%
	6	Blanco	000 ⇔ 255	0-100%
	7	Púrpura (UV)	000 ⇔ 255	0-100%
	8	Estroboscopio	000 ⇔ 010 011 ⇔ 255	Sin función Lento a rapido

6CH	Canal	Función	Valor	Porcentaje/Configuración
	1	Rojo	000 ⇔ 255	0-100%
	2	Verde	000 ⇔ 255	0-100%
	3	Azul	000 ⇔ 255	0-100%
	4	Ámbar	000 ⇔ 255	0-100%
	5	Blanco	000 ⇔ 255	0-100%
	6	Púrpura (UV)	000 ⇔ 255	0-100%



## À Propos de ce Manuel

Le Manuel de Référence du COLORdash Par-H7 IP (MR) reprend des informations de base sur cet appareil notamment en matière de connexions, montage, options de menu et valeurs DMX. Télécharger le Manuel d'Utilisation sur [www.chauvetprofessional.com](http://www.chauvetprofessional.com) pour de plus amples informations.

### Clause de Non-Responsabilité

Les informations et caractéristiques contenues dans ce manuel sont sujettes à changement sans préavis.

### GARANTIE LIMITÉE

**VEUILLEZ VISITER NOTRE SITE INTERNET POUR CONSULTER LES MODALITÉS D'ENREGISTREMENT DE LA GARANTIE ET LES CONDITIONS GÉNÉRALES COMPLÈTES.**

**Pour les clients aux États-Unis et au Mexique:** [www.chauvetlighting.com/warranty-registration](http://www.chauvetlighting.com/warranty-registration)

**Pour les clients du Royaume-Uni, de la République d'Irlande, de la Belgique, des Pays-Bas, du Luxembourg, de la France et de l'Allemagne:** [www.chauvetlighting.eu/warranty-registration/](http://www.chauvetlighting.eu/warranty-registration/)

Chauvet garantit que cet appareil est exempt de défauts de matériaux et de fabrication dans des conditions normales d'utilisation, pendant la période spécifiée dans la garantie limitée complète consultable sur notre site Internet et sous réserve des exclusions et limitations qui y sont énoncées. Cette garantie ne s'applique qu'à l'acheteur initial du produit et n'est pas transférable. Pour exercer les droits prévus par cette garantie, vous devez fournir une preuve d'achat sous la forme d'un reçu de vente original d'un revendeur autorisé qui indique le nom du produit et la date d'achat. **IL N'EXISTE AUCUNE AUTRE GARANTIE EXPRESSE OU IMPLICITE.** Cette garantie vous confère des droits légaux spécifiques. Vous pouvez également bénéficier d'autres droits qui varient selon les états et les pays. Cette garantie n'est valable qu'aux États-Unis, au Royaume-Uni, en République d'Irlande, en Belgique, aux Pays-Bas, au Luxembourg, en France, en Allemagne et au Mexique. Pour connaître les conditions de garantie dans d'autres pays, veuillez consulter votre revendeur local.

### Consignes de Sécurité

Ces consignes de sécurité contiennent des informations importantes en matière d'installation, d'utilisation et d'entretien.

- Cet appareil doit être positionné de manière à ce que la source de lumière soit à plus de 2,9 m des yeux.
- Remplacez les câbles endommagés **UNIQUEMENT** par des câbles identiques, ou l'équivalent, disponibles auprès du fabricant ou de son revendeur.
- La source lumineuse contenue dans ce produit ne doit être remplacée que par le fabricant, son revendeur ou un technicien ayant une qualification similaire.
- Ce produit est destiné à un usage professionnel uniquement.
- N'ouvrez **PAS** cet appareil. Il ne contient aucun composant susceptible d'être réparé par l'utilisateur.
- Durant les périodes de non-utilisation, pour éviter toute usure inutile et pour prolonger la durée de vie, déconnectez entièrement l'appareil en le débranchant de l'alimentation électrique ou en coupant le disjoncteur.
- Ne regardez **PAS** la source lumineuse lorsque l'appareil fonctionne.
- **ATTENTION:** le boîtier de cet appareil est brûlant lors du fonctionnement.
- Montez toujours cet appareil dans un endroit bien ventilé, à au moins, 20 pouces (50 cm) des surfaces adjacentes.
- Ne laissez **AUCUNE** source inflammable dans un rayon de 50 cm de l'appareil lorsque celui-ci fonctionne.
- Attention : Lorsque l'appareil est transféré d'un environnement à température extrême à un autre (par exemple d'un camion froid vers une salle de bal chaude et humide), de la condensation peut se former sur les composants électriques internes. Pour éviter de causer des dommages, laissez l'appareil s'acclimater entièrement au milieu environnant avant de le mettre sous tension.
- Ne convient pas aux installations permanentes en extérieur sur des sites sujets à des conditions environnementales extrêmes. Cela inclut par exemple :
  - L'exposition à un environnement marin ou à une solution saline (à moins de 4,8 kilomètres d'un corps d'eau salée).
  - Lorsque les températures moyennes hautes ou basses du site dépassent les plages de températures indiquées dans ce manuel.
  - Les sites qui sont sujets aux inondations ou qui présentent un risque d'être ensevelis sous la neige.
  - Tout autre endroit où le produit risque d'être soumis à des rayonnements extrêmes ou à des substances caustiques.
- Utilisez **TOUJOURS** un câble de sécurité lorsque vous montez cet appareil en hauteur.
- N'immergez **PAS** ce produit (IP 65). Un usage normal en extérieur est autorisé.
- N'utilisez **PAS** cet appareil si le boîtier, les lentilles ou les câbles vous semblent endommagés.
- Ne connectez **PAS** cet appareil ni à un gradateur ni à un rhéostat.
- Connectez **UNIQUEMENT** cet appareil à un circuit protégé et relié à la terre.
- Transportez/Suspendez cet appareil **UNIQUEMENT** par le support de montage dont il est doté.
- En cas de sérieux problèmes de fonctionnement, arrêtez le système immédiatement.
- La température ambiante maximale supportée par cet appareil est de 113 °F (45 °C). Ne le faites pas fonctionner à des températures plus élevées.

## Contact

En dehors des États-Unis, du Royaume-Uni, de l'Irlande, de la France et de l'Allemagne, du Mexique, et du Benelux, contactez votre fournisseur si vous avez besoin d'assistance ou de retourner votre appareil. Consultez le site [Contact Us](#) pour trouver nos coordonnées.

## Ce Qui est Inclus

- COLORdash Par-H7 IP
- Manuel de Référence
- Seetronic Powerkon IP65 cordon d'alimentation

## Alimentation CA

Cet appareil est doté d'une alimentation universelle prenant en charge toute tension d'entrée comprise entre 100 et 240 VCA, 50/60 Hz.

## Connexion Électrique

Vous pouvez connecter entre eux jusqu'à 19 COLORdash Par-H7 IP à 100 V, 23 à 120 V, 39 à 208 V, 42 à 230 V, ou 44 unités à 240 V. Ne dépassez jamais cette limite. Vous pouvez vous procurer séparément des cordons d'alimentation.

## Prise CA

Connexion	Câble (États-Unis)	Câble (Europe)	Couleur de la vis
Conducteur CA	Noir	Marron	Jaune/Cuivré
Neutre CA	Blanc	Bleu	Argenté
Terre CA	Vert/Jaune	Vert/Jaune	Vert



- **Durant les périodes de non-utilisation, pour éviter toute usure inutile et pour prolonger la durée de vie, déconnectez-entièrement l'appareil en le débranchant de l'alimentation électrique ou en coupant le disjoncteur.**
- **Lors de l'utilisation de cet appareil en environnement extérieur, utilisez des câbles de données certifiés IP65 au minimum. Assurez-vous de protéger les ports d'alimentation et de données non utilisés avec les couvercles IP 65 fournis.**

## Raccordement DMX

Le COLORdash Par-H7 IP fonctionnera avec un jeu d'orgues DMX au moyen de connexions DMX en série standard. Une introduction au DMX est à votre disposition sur [www.chauvetprofessional.com](http://www.chauvetprofessional.com).

## Connexion DMX

Le COLORdash Par-H7 IP utilise une connexion de données DMX standard pour ses personnalités DMX: **6Ch, 8Ch, et 13Ch**. Consultez le Manuel d'Utilisation pour connecter et configurer le système DMX.



**Lors de l'utilisation de cet appareil dans un environnement extérieur de type IP65, assurez-vous d'utiliser des câbles certifiés IP65 (ou mieux) et de protéger les ports non utilisés avec les couvercles IP65 inclus.**

## Connexion Maître/ Esclave

Le COLORdash Par-H7 IP utilise une connexion de données DMX pour son mode Maître/Esclave. Consultez le Manuel d'Utilisation pour connecter et configurer le mode de fonctionnement Maître/Esclave.

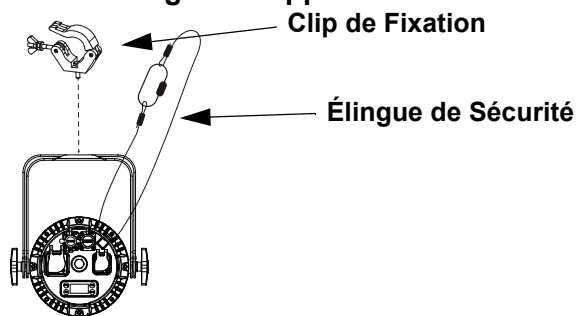
## RDM (Gestion des périphériques à distance)

Le protocole RDM (gestion des périphériques à distance) est un standard pour la communication bidirectionnelle des appareils dotés de fonctions DMX dans un câblage DMX existant. Le COLORdash Par-H7 IP supporte le protocole RDM permettant un retour d'information pour la surveillance et des changements des options de menu. Veuillez télécharger le manuel de l'utilisateur à partir du site internet [www.chauvetprofessional.com](http://www.chauvetprofessional.com) pour plus de détails.

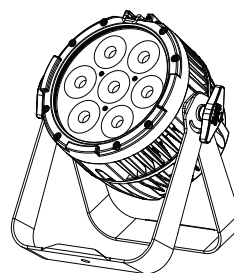
## Installation

Avant de monter cet appareil, lisez et assimilez les [Consignes de Sécurité](#). Use at least one mounting point per product. Make sure the mounting clamps are capable of supporting the weight of the product. For our Chauvet line of mounting clamps, go to <http://trusst.com/productcategory/truss-clamps/>

Schéma de Montage de l'Appareil



Montage en Hauteur



Montage au Sol

Description du Tableau de Commandes

Bouton	Fonction
<MENU>	Permet la sortie du menu ou de la fonction en cours
<ENTER>	Permet l'affichage du menu en cours ou permet de configurer la valeur en cours dans la fonction sélectionnée
<UP>	Permet de parcourir les listes ou les menus vers le haut, dans une fonction permet d'augmenter les valeurs numériques
<DOWN>	Permet de parcourir les listes ou les menus vers le bas, dans une fonction permet de diminuer les valeurs numériques

Code d'accès

Une fois affiché, saisissez le code d'accès suivant comme suit:

<UP>, <DOWN>, <UP>, <DOWN>, <ENTER>

Ce code ne peut pas être modifié et doit être saisi sur demande.

Tableau de Menu

Niveau Principal	Niveaux de Programmation	Description
DMX Address	001-512	Sélectionne l'adresse DMX (le canal le plus haut limité à la personnalité choisie)
DMX Channel	6 CH	6 canaux: commande RVBbA+UV
	8 CH	8 canaux: gradateur, RVBbA+UV, stroboscope
	13CH	13 canaux: gradateur, RVBbA+UV, stroboscope, macros de couleurs + balance des blancs, programmes auto, vitesse auto, vitesse gradateur

Niveau Principal	Niveaux de Programmation		Description
Static	Fixed Color	R	Rouge
		G	Vert
		B	Bleu
		A	Ambre
		W	Blanc
		P	Ultraviolette (UV)
		RG	Rouge/Vert
		RB	Rouge/Bleu
		RA	Rouge/Ambre
		RW	Rouge/Blanc
		RP	Rouge/UV
		GB	Vert/Bleu
		GA	Vert/Ambre
		GW	Vert/Blanc
		GP	Vert/UV
		BA	Bleu/Ambre
		BW	Bleu/Blanc
		BP	Bleu/UV
		AW	Ambre/Blanc
		AP	Ambre/UV
		WP	Blanc/UV
		RGB	Rouge/Vert/Bleu
		RGA	Rouge/Vert/Ambre
		RGW	Rouge/Vert/Blanc
		RGP	Rouge/Vert/UV
		RBA	Rouge/Bleu/Ambre
		RBW	Rouge/Bleu/Blanc
		RBP	Rouge/Bleu/UV
		RAW	Rouge/Ambre/Blanc
		RAP	Rouge/Ambre/UV
		RWP	Rouge/Blanc/UV
		GBA	Vert/Bleu/Ambre
		GBW	Vert/Bleu/Blanc
		GBP	Vert/Bleu/UV
GAW	Vert/Ambre/Blanc		
GAP	Vert/Ambre/UV		
GWP	Vert/Blanc/UV		
BAW	Bleu/Ambre/Blanc		
BAP	Bleu/Ambre/UV		
BWP	Bleu/Blanc/UV		
AWP	Ambre/Blanc/UV		
RGBA	Rouge/Vert/Bleu/Ambre		
RGBW	Rouge/Vert/Bleu/Blanc		
RGBP	Rouge/Vert/Bleu/UV		

Niveau Principal	Niveaux de Programmation		Description
Static	Fixed Color	RGAW	Rouge/Vert/Ambre/Blanc
		RGAP	Rouge/Vert/Ambre/UV
		RGWP	Rouge/Vert/Blanc/UV
		RBAW	Rouge/Bleu/Ambre/Blanc
		RBAP	Rouge/Bleu/Ambre/UV
		RBWP	Rouge/Bleu/Blanc/UV
		RAWP	Rouge/Ambre/Blanc/UV
		GBAW	Vert/Bleu/Ambre/Blanc
		GBAP	Vert/Bleu/Ambre/UV
		GBWP	Vert/Bleu/Blanc/UV
		GAWP	Vert/Ambre/Blanc/UV
		BAWP	Bleu/Ambre/Blanc/UV
		RGBAW	Rouge/Vert/Bleu/Ambre/Blanc
		RGBAP	Rouge/Vert/Bleu/Ambre/UV
		RGBWP	Rouge/Vert/Bleu/Blanc/UV
		RGAWP	Rouge/Vert/Ambre/Blanc/UV
		RBAWP	Rouge/Bleu/Ambre/Blanc/UV
		GBAWP	Vert/Bleu/Ambre/Blanc/UV
	RGBAWP	Rouge/Vert/Bleu/Ambre/Blanc/UV	
	Color Temperature	Warm White 1	Températures de couleur de blanc prédéfinies
		Warm White 2	
		Warm White 3	
		Neutral White 1	
		Neutral White 2	
		Neutral White 3	
		Daylight 1	
		Daylight 2	
	Daylight3		
Moving Head White			
Manual Color Mixer	Red	0-255	Permet de combiner les couleurs rouge, vert, bleu, ambre blanc et ultraviolette pour créer une couleur personnalisée (0 à 100%).
	Green		
	Blue		
	Amber		
	White		
UV			
Auto Show	Auto 1-5	1-100	Programmes automatiques
Master/Slave Mode	Master		Mode DMX (Maître)
	Slave		Mode esclave
Dimmer Mode	Off		Pas de gradateur
	Dimmer 1-3		Courbes de gradation Dimmer 1 (rapide) à Dimmer 3 (lent)
White Balance	Off		Utilise le paramétrage de blanc définit en usine
	Manual	Red	Permet de définir la valeur maximum de LED rouge
		Green	Permet de définir la valeur maximum de LED verte
		Blue	Permet de définir la valeur maximum de LED bleue
		Amber	Permet de définir la valeur maximum de LED ambre
		White	Permet de définir la valeur maximum de LED blanc
UV	Permet de définir la valeur maximum de LED ultraviolette		

Niveau Principal	Niveaux de Programmation	Description
LED Frequency	600Hz	Permet de sélectionner la fréquence de sortie MLI
	1200Hz	
	2000Hz	
	4000Hz	
	6000Hz	
	25kHz	
Back Light	On	Éclairage de l'affichage toujours activé.
	10S	Éteint l'éclairage de l'affichage après 10 secondes d'inactivité
	20S	Éteint l'éclairage de l'affichage après 20 secondes d'inactivité
	30S	Éteint l'éclairage de l'affichage après 30 secondes d'inactivité.
Key Lock	On	Permet d'activer ou désactiver le mot de passe.
	Off	
Information	Fixture Hours	Affiche le total d'heures de fonctionnement de l'appareil
	Version	Affiche la version du logiciel installé.
	UID	Affiche UID actuel #
	Battery	Indique le niveau de batterie
Reset Factory	No	Permet de réinitialiser l'appareil aux réglages d'usine
	Yes	

Valeurs DMX

13Ch	Cana	Fonction	Valeur	Pourcentage/Configuration
	1	Gradateur	000 ⇔ 255	0-100%
	2	Rouge	000 ⇔ 255	0-100%
	3	Vert	000 ⇔ 255	0-100%
	4	Bleu	000 ⇔ 255	0-100%
	5	Ambre	000 ⇔ 255	0-100%
	6	Blanc	000 ⇔ 255	0-100%
	7	UV	000 ⇔ 255	0-100%
	8	Stroboscope	000 ⇔ 010	Pas de fonction
			011 ⇔ 255	Lent à rapide
	9	Macros de Couleurs + Balance des Blancs	000 ⇔ 010	Pas de fonction
			011 ⇔ 030	R:100% V: 0-100% B: 0
			031 ⇔ 050	R:100%-0 V: 100% B: 0
			051 ⇔ 070	R:0 V: 100% B: 0-100%
			071 ⇔ 090	R:0 V: 100%-0 B: 100%
			091 ⇔ 110	R:0-100% V: 0 B: 100%
			111 ⇔ 130	R:100% V: 0 B: 100%-0
			131 ⇔ 150	R:100% V: 0-100% B: 0-100%
			151 ⇔ 170	R:100%-0 V: 100%-0 B: 100%
			171 ⇔ 200	RVB: 100%
			201 ⇔ 205	Blanc 1
			206 ⇔ 210	Blanc 2
			211 ⇔ 215	Blanc 3
			216 ⇔ 220	Blanc 4
			221 ⇔ 225	Blanc 5
			226 ⇔ 230	Blanc 6
231 ⇔ 235			Blanc 7	
236 ⇔ 240			Blanc 8	
241 ⇔ 245	Blanc 9			
246 ⇔ 250	Blanc 10			
251 ⇔ 255	Blanc 11			

13Ch	Cana	Fonction	Valeur	Pourcentage/Configuration
	10	Color Temperature	000 ⇔ 005	Pas de fonction
			006 ⇔ 025	Blanc chaud 1
			026 ⇔ 050	Blanc chaud 2
			051 ⇔ 075	Blanc chaud 3
	11	Programmes	076 ⇔ 100	Blanc neutre 1
			101 ⇔ 125	Blanc neutre 2
			126 ⇔ 150	Blanc neutre 3
			151 ⇔ 175	Lumière du jour 1
	12	Vitesse Auto	176 ⇔ 200	Lumière du jour 2
			201 ⇔ 225	Lumière du jour 3
			226 ⇔ 250	Tête mobile blanche
			251 ⇔ 255	Pas de fonction
	13	Vitesse du Gradateur	000 ⇔ 010	Pas de fonction
			011 ⇔ 060	Auto 1
			061 ⇔ 110	Auto 2
			111 ⇔ 160	Auto 3
			161 ⇔ 210	Auto 4
			211 ⇔ 255	Auto 5
			000 ⇔ 255	0-100%
			000 ⇔ 051	Vitesse du gradateur prédéfinie depuis le menu
			052 ⇔ 101	Gradateur linéaire
			102 ⇔ 152	Courbe de gradation non linéaire 1 (la plus rapide)
			153 ⇔ 203	Courbe de gradation non linéaire 2
			204 ⇔ 255	Courbe de gradation non linéaire 3
				Courbe de gradation non linéaire 4 (la moins rapide)

8Ch	Cana	Fonction	Valeur	Pourcentage/Configuration
	1	Gradateur	000 ⇔ 255	0-100%
	2	Rouge	000 ⇔ 255	0-100%
	3	Vert	000 ⇔ 255	0-100%
	4	Bleu	000 ⇔ 255	0-100%
	5	Ambre	000 ⇔ 255	0-100%
	6	Blanc	000 ⇔ 255	0-100%
	7	UV	000 ⇔ 255	0-100%
	8	Stroboscope	000 ⇔ 010 011 ⇔ 255	Pas de fonction Lent à rapide

6Ch	Cana	Fonction	Valeur	Pourcentage/Configuration
	1	Rouge	000 ⇔ 255	0-100%
	2	Vert	000 ⇔ 255	0-100%
	3	Bleu	000 ⇔ 255	0-100%
	4	Ambre	000 ⇔ 255	0-100%
	5	Blanc	000 ⇔ 255	0-100%
	6	UV	000 ⇔ 255	0-100%



## Over deze handleiding

De COLORdash Par-H7 IP Beknopte Handleiding (BH) bevat basisinformatie over het product, zoals aansluiting, montage, menu-opties en DMX-waarden. Download de gebruikershandleiding op [www.chauvetprofessional.com](http://www.chauvetprofessional.com) voor meer informatie.

### Disclaimer

De informatie en specificaties in deze BH kunnen zonder voorafgaande kennisgeving worden gewijzigd.

### BEPERKTE GARANTIE

**GA NAAR ONZE WEBSITE VOOR REGISTRATIE VAN DE GARANTIE EN DE VOLLEDIGE ALGEMENE VOORWAARDEN.**

**Voor klanten in de Verenigde Staten en Mexico:** [www.chauvetlighting.com/warranty-registration](http://www.chauvetlighting.com/warranty-registration)

**Voor klanten in het Verenigd Koninkrijk, Ierland, België, Nederland, Luxemburg, Frankrijk en Duitsland:** [www.chauvetlighting.eu/warranty-registration/](http://www.chauvetlighting.eu/warranty-registration/)

Chauvet garandeert dat dit product bij normaal gebruik vrij zal blijven van defecten in materiaal en vakmanschap, voor de opgegeven periode en onder voorbehoud van de uitzonderingen en beperkingen die zijn uiteengezet in de volledige beperkte garantie op onze website. Deze garantie geldt uitsluitend voor de oorspronkelijke koper van het product en is niet overdraagbaar. Om onder deze garantie rechten uit te oefenen, moet u een aankoopbewijs overleggen in de vorm van een origineel verkoopbewijs van een geautoriseerde dealer, waarop de naam van het product en de aankoopdatum zichtbaar zijn. ER ZIJN GEEN ANDERE EXPLICIETE OF IMPLICIETE GARANTIES. Deze garantie geeft u specifieke wettelijke rechten. Mogelijk heeft u ook andere rechten die van staat tot staat en van land tot land verschillen. Deze garantie is uitsluitend geldig in de Verenigde Staten, het Verenigd Koninkrijk, Ierland, België, Nederland, Luxemburg, Frankrijk, Duitsland en Mexico. Neem contact op met uw lokale verkoper voor garantievoorwaarden in andere landen.

### Veiligheids instructies

Deze veiligheidsinstructies bevatten belangrijke informatie over de installatie, het gebruik en het onderhoud.

- Dit product moet zodanig geplaatst worden dat de lichtbron zich verder dan 2,9 m van enige ogen bevindt.
- Vervang beschadigde kabels ALLEEN met identieke kabels, of het equivalent daarvan, die verkrijgbaar zijn bij de fabrikant of diens serviceagent.
- De lichtbron die in dit product omvat is mag alleen vervangen worden door de fabrikant, diens serviceagent, of een soortgelijke erkende monteur.
- Dit product is alleen bedoeld voor professioneel gebruik.
- Open het product NIET. Het bevat geen te onderhouden onderdelen.
- Om onnodige slijtage te elimineren en zijn levensduur te verlengen, gedurende perioden wanneer het product niet wordt gebruikt, moet u het product van de stroom afsluiten door een aardlekschakelaar om te zetten of door het te ontkoppelen.
- KIJK NIET in de lichtbron wanneer het apparaat is ingeschakeld.
- LET OP: De behuizing van dit product kan heet zijn wanneer het in bedrijf is.
- Monteer dit product op een plek met voldoende ventilatie, ten minste 50 cm van de aangrenzende oppervlakken.
- Plaats geen ontvlambaar materiaal binnen 50 cm van dit product als het in gebruik is of is aangesloten op het stopcontact.
- LET OP: Bij het verplaatsen van het product uit extreme omgevingen, (bijv. koude vrachtwagen naar warme, vochtige balzaal) kan er condensvorming optreden op de elektronica van het product. Om storingen te vermijden moet het product volledig kunnen acclimatiseren aan de omgeving voordat het op stroom wordt aangesloten.
- Niet voor permanente buiteninstallatie in locaties met extreme weersomstandigheden. Dit is met inbegrip van, maar niet beperkt tot:
  - Blootstelling aan een marien/zout milieu (binnen 5 km van zout water).
  - Waar de gebruikelijke hoge of lage temperaturen van de locatie de temperatuurbereiken in deze handleiding overschrijden.
  - Locaties die kunnen overstromen of onder sneeuw begraven kunnen worden.
  - Andere gebieden waar het product blootstaat aan extreme straling of bijtende substanties.
- GEBRUIK een veiligheidskabel bij het boven het hoofd plaatsen van dit product.
- Dit product NIET onderdompelen (IP65). Regelmatig gebruik buitenshuis is prima.
- Gebruik dit product NIET als de behuizing, lenzen of kabels beschadigd lijken.
- Sluit dit product NIET aan op een dimmer of een regelweerstand.
- Sluit dit product UITSLUITEND op een geaard en beveiligd stroomcircuit.
- Gebruik UITSLUITEND de ophang-/montagebeugel om dit product te dragen.
- Stop in het geval van ernstige operationele problemen onmiddellijk met het gebruik.
- De maximale omgevingstemperatuur bedraagt 45 °C. Gebruik dit product niet bij hogere temperaturen.

### Contact

Van buiten de VS, Verenigd Koninkrijk, Ierland, Frankrijk en Duitsland, Mexico of Benelux kunt u contact opnemen met de distributeur of om ondersteuning vragen dan wel het product retourneren. Ga naar [Contact Us](#) voor contactinformatie.



## Wat is inbegrepen

- COLORdash Par-H7 IP
- Beknopte handleiding
- Seetronic Powerkon IP65 stroomsnoer

## AC-stroom

Dit product heeft een voeding met automatisch bereik die werkt met een ingangsspanning van 100–240 VAC, 50/60 Hz.

### Power Linking

U kunt tot 19 COLORdash Par-H7 IP-producten koppelen bij 100 V, 23 bij 120 V, 39 bij 208 V, 42 bij 230 V of 44 producten bij 240 V. Dit aantal niet overschrijden. Power Linking-snoeren kunnen apart aangeschaft worden.

### AC-stekker

Aansluiting	Snoer (VS)	Snoer (Europa)	Schroefkleur
AC Live	Zwart	Bruin	Geel/messing
AC Neutraal	Wit	Blauw	Zilver
AC Aarde	Groen/geel	Groen/geel	Groen



- **Om onnodige slijtage te elimineren en zijn levensduur te verlengen, gedurende perioden wanneer het product niet wordt gebruikt, moet u het product van de stroom afsluiten door een aardlekschakelaar om te zetten of door het te ontkoppelen.**
- **Wanneer dit product buiten wordt gebruikt moeten stroom- en gegevenskabels met een IP65-certificering (of hoger) worden gebruikt. Zorg ervoor dat ongebruikte stroom- en gegevenspoorten worden afgesloten met de aangehechte IP65-afdekkingen.**

## DMX-koppeling

De COLORdash Par-H7 IP kan met een DMX-controller werken met een normale DMX seriële verbinding. Op [www.chauvetprofessional.com](http://www.chauvetprofessional.com) is een DMX basishandleiding verkrijgbaar.

### DMX-aansluiting

De COLORdash Par-H7 IP gebruikt een normale DMX-gegevensverbinding voor zijn DMX-persoonlijkheden: **6Ch**, **8Ch**, en **13Ch**. Zie de gebruikershandleiding om te verbinden en te configureren voor DMX-werking.



**Wanneer dit product buiten wordt gebruikt in een omgeving die die een IP65-certificering vereist, moet er ook worden gezorgd dat er gegevenskabels met IP65-certificering of hoger worden gebruikt en moeten de ongebruikte poorten worden afgedekt met de vastgehechte IP65-afdekkingen.**

## Master/slave-verbinding

De COLORdash Par-H7 IP maakt gebruik van de DMX-dataverbinding voor haar Master-/Slave-modus. Zie de gebruikershandleiding om te verbinden en te configureren voor Master/Slave-werking.

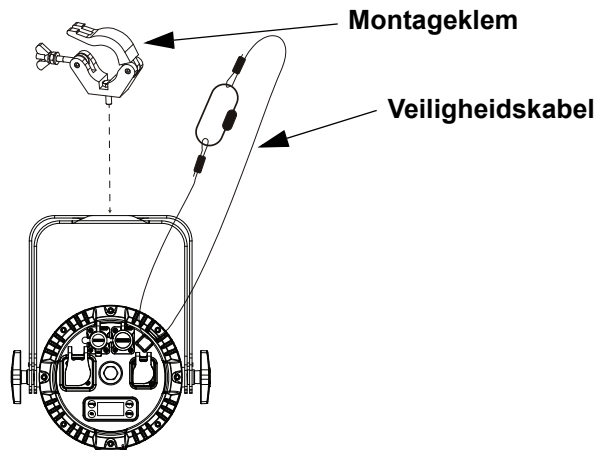
### RDM (apparaatbeheer op afstand)

Remote Device Management of RDM (apparaatbeheer op afstand) is een standaard die het voor DMX-apparaten mogelijk maakt om in twee richtingen te communiceren over bestaande DMX-kabels. De COLORdash Par-H7 IP ondersteunt het RDM-protocol dat zorgt feedback toelaat bij de bewaking van wijzigingen aan de menu map-opties van. Download de gebruikershandleiding op [www.chauvetprofessional.com](http://www.chauvetprofessional.com) voor meer informatie.

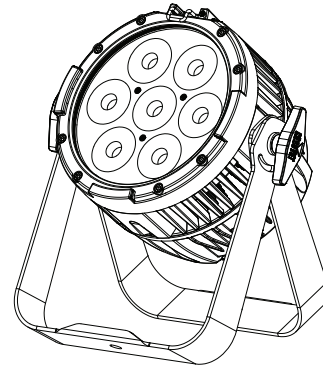
## Montage

Lees alvorens dit product te monteren alle [Veiligheids instructies](#). Controleer of de montageklem het gewicht van het product kan dragen. Ga voor onze Chauvet-serie montageklemmen naar <http://trusst.com/productcategory/truss-clamps/>

Montagediagram van het product



Montage boven  
het hoofd



Plaatsing op de  
vloer

Beschrijving bedienings paneel

Toets	Functie
<MENU>	Sluit het huidige menu of functie af
<ENTER>	Activeert het huidige getoonde menu of plaatst de huidige geselecteerde waarde in de geselecteerde functie
<UP>	Navigeert omhoog via het menu of verhoogt de numerieke waarde wanneer in een functie
<DOWN>	Navigeert omlaag via het menu of verlaagt de numerieke waarde wanneer in een functie

Toegangscode

Vul na dat gevraagd te worden de volgende toegangscode in door te drukken op:

<UP>, <DOWN>, <UP>, <DOWN>, <ENTER>

Dit toegangscode kan niet gewijzigd worden en moet indien gevraagd ingevuld worden.

**Menukaart**

Hoofdniveau	Programmeerniveaus		Beschrijving
<b>DMX Address</b>	<b>001–512</b>		Selecteer het DMX-adres (hoogste kanaal beperkt tot de gekozen persoonlijkheid)
<b>DMX Channel</b>	<b>6 CH</b>		6-kanaals: RGBAW+UV-regeling
	<b>8 CH</b>		8-kanaals: RGBAW+UV-regeling, dimmer en stroboscoop
	<b>13CH</b>		13-kanaals: RGBAW+UV-regeling, dimmer, stroboscoop, kleurenmacro/witbalans, automatische programma's, automatische snelheid, dimmersnelheid
<b>Static</b>	<b>Fixed Color</b>	<b>R</b>	Rood
		<b>G</b>	Groen
		<b>B</b>	Blauw
		<b>A</b>	Amber
		<b>W</b>	Wit
		<b>P</b>	Ultraviolet (UV)
		<b>RG</b>	Rood/Groen
		<b>RB</b>	Rood/Blue
		<b>RA</b>	Rood/Amber
		<b>RW</b>	Rood/Wit
		<b>RP</b>	Rood/UV
		<b>GB</b>	Groen/Blue
		<b>GA</b>	Groen/Amber
		<b>GW</b>	Groen/Wit
		<b>GP</b>	Groen/UV
		<b>BA</b>	Blue/Amber
		<b>BW</b>	Blue/Wit
		<b>BP</b>	Blue/UV
		<b>AW</b>	Amber/Wit
		<b>AP</b>	Amber/UV
		<b>WP</b>	Wit/UV
		<b>RGB</b>	Rood/Groen/Blue
		<b>RGA</b>	Rood/Groen/Amber
		<b>RGW</b>	Rood/Groen/Wit
		<b>RGP</b>	Rood/Groen/UV
		<b>RBA</b>	Rood/Blue/Amber
		<b>RBW</b>	Rood/Blue/Wit
		<b>RBP</b>	Rood/Blue/UV
		<b>RAW</b>	Rood/Amber/Wit
		<b>RAP</b>	Rood/Amber/UV
		<b>RWP</b>	Rood/Wit/UV
		<b>GBA</b>	Groen/Blue/Amber
<b>GBW</b>	Groen/Blue/Wit		
<b>GBP</b>	Groen/Blue/UV		
<b>GAW</b>	Groen/Amber/Wit		
<b>GAP</b>	Groen/Amber/UV		
<b>GWP</b>	Groen/Wit/UV		

Hoofdniveau	Programmeerniveaus		Beschrijving	
Static	Fixed Color	<b>BAW</b>	Blue/Amber/Wit	
		<b>BAP</b>	Blue/Amber/UV	
		<b>BWP</b>	Blue/Wit/UV	
		<b>AWP</b>	Amber/Wit/UV	
		<b>RGBA</b>	Rood/Groen/Blue/Amber	
		<b>RGBW</b>	Rood/Groen/Blue/Wit	
		<b>RGBP</b>	Rood/Groen/Blue/UV	
		<b>RGAW</b>	Rood/Groen/Amber/Wit	
		<b>RGAP</b>	Rood/Groen/Amber/UV	
		<b>RGWP</b>	Rood/Groen/Wit/UV	
		<b>RBAW</b>	Rood/Blue/Amber/Wit	
		<b>RBAP</b>	Rood/Blue/Amber/UV	
		<b>RBWP</b>	Rood/Blue/Wit/UV	
		<b>RAWP</b>	Rood/Amber/Wit/UV	
		<b>GBAW</b>	Groen/Blue/Amber/Wit	
		<b>GBAP</b>	Groen/Blue/Amber/UV	
		<b>GBWP</b>	Groen/Blue/Wit/UV	
		<b>GAWP</b>	Groen/Amber/Wit/UV	
		<b>BAWP</b>	Blue/Amber/Wit/UV	
		<b>RGBAW</b>	Rood/Groen/Blue/Amber/Wit	
		<b>RGBAP</b>	Rood/Groen/Blue/Amber/UV	
		<b>RGBWP</b>	Rood/Groen/Blue/Wit/UV	
		<b>RGAWP</b>	Rood/Groen/Amber/Wit/UV	
		<b>RBAWP</b>	Rood/Blue/Amber/Wit/UV	
		<b>GBAWP</b>	Groen/Blue/Amber/Wit/UV	
		<b>RGBAWP</b>	Rood/Groen/Blue/Amber/Wit/UV	
		Color Temperature		<b>Warm White 1</b>
			<b>Warm White 2</b>	
			<b>Warm White 3</b>	
			<b>Neutral White 1</b>	
			<b>Neutral White 2</b>	
			<b>Neutral White 3</b>	
			<b>Daylight 1</b>	
	<b>Daylight 2</b>			
	<b>Daylight3</b>			
	<b>Moving Head White</b>			
Manual Color Mixer		<b>Red</b>	<b>0-255</b>  Combineer rood, groen, blauw, amber, wit en ultraviolet om een aangepaste kleur te maken (0-100%)	
		<b>Green</b>		
		<b>Blue</b>		
		<b>Amber</b>		
		<b>White</b>		
		<b>UV</b>		
<b>Auto Show</b>	<b>Auto 1-5</b>	<b>1-100</b>	Automatische programma's	
<b>Master/Slave Mode</b>	<b>Master</b>		DMX-modus (Master)	
	<b>Slave</b>		Slave-modus	
	<b>Off</b>		Geen dimmer	
<b>Dimmer Mode</b>	<b>Dimmer 1-3</b>		Dimcurves <b>DIM 1</b> (snel) tot <b>DIM 3</b> (langzaam)	

Hoofdniveau	Programmeerniveaus		Beschrijving
<b>White Balance</b>	<b>Manual</b>	<b>125-255</b>	<b>Off</b>
			<b>Red</b>
			<b>Green</b>
			<b>Blue</b>
			<b>Amber</b>
			<b>White</b>
			<b>UV</b>
<b>LED Frequency</b>	<b>600Hz</b>		Selecteert de PWM-uitvoerfrequentie
	<b>1200Hz</b>		
	<b>2000Hz</b>		
	<b>4000Hz</b>		
	<b>6000Hz</b>		
	<b>25kHz</b>		
<b>Back Light</b>	<b>On</b>		De backlight van de display is altijd aan
	<b>10S</b>		Schakelt de backlight van de display uit na 10s van inactiviteit
	<b>20S</b>		Schakelt de backlight van de display uit na 20s van inactiviteit
	<b>30S</b>		Schakelt de backlight van de display uit na 30s van inactiviteit
<b>Key Lock</b>	<b>On</b>		Schakelt de toegangscode aan of uit.
	<b>Off</b>		
<b>Information</b>	<b>Fixture Hours</b>		Toont het totale aantal producturen
	<b>Version</b>		Toont de geïnstalleerde softwareversie
	<b>UID</b>		Geeft de huidige UID #
	<b>Battery</b>		Toont batterijniveau
<b>Reset Factory</b>	<b>No</b>		Herstellen naar de fabrieksstandaard
	<b>Yes</b>		

## DMX-waarden

13Ch	Kanaal	Functie	Waarde	Percentage/instelling
	1	Dimmer	000 ⇔ 255	0-100%
	2	Rood	000 ⇔ 255	0-100%
	3	Groen	000 ⇔ 255	0-100%
	4	Blauw	000 ⇔ 255	0-100%
	5	Amber	000 ⇔ 255	0-100%
	6	Wit	000 ⇔ 255	0-100%
	7	UV	000 ⇔ 255	0-100%
	8	Stroboscoop	000 ⇔ 010 011 ⇔ 255	Geen functie Langzaam tot snel
	9	Kleurenmacro + witbalans	000 ⇔ 010 011 ⇔ 030 031 ⇔ 050 051 ⇔ 070 071 ⇔ 090 091 ⇔ 110 111 ⇔ 130 131 ⇔ 150 151 ⇔ 170 171 ⇔ 200 201 ⇔ 205 206 ⇔ 210 211 ⇔ 215 216 ⇔ 220 221 ⇔ 225 226 ⇔ 230 231 ⇔ 235 236 ⇔ 240 241 ⇔ 245 246 ⇔ 250 251 ⇔ 255	Geen functie R:100% G: 0-100% B: 0 R:100%-0 G: 100% B: 0 R:0 G: 100% B: 0-100% R:0 G: 100%-0 B: 100% R:0-100% G: 0 B: 100% R:100% G: 0 B: 100%-0 R:100% G: 0-100% B: 0-100% R:100%-0 G: 100%-0 B: 100% RGB: 100% Wit 1 Wit 2 Wit 3 Wit 4 Wit 5 Wit 6 Wit 7 Wit 8 Wit 9 Wit 10 Wit 11
	10	Kleur-temperatuur	000 ⇔ 005 006 ⇔ 025 026 ⇔ 050 051 ⇔ 075 076 ⇔ 100 101 ⇔ 125 126 ⇔ 150 151 ⇔ 175 176 ⇔ 200 201 ⇔ 225 226 ⇔ 250 251 ⇔ 255	Geen functie Warm wit 1 Warm wit 2 Warm wit 3 Neutraal wit 1 Neutraal wit 2 Neutraal wit 3 Daglicht 1 Daglicht 2 Daglicht 3 ijsberg blauw Geen functie
	11	Automatische programma's	000 ⇔ 010 011 ⇔ 060 061 ⇔ 110 111 ⇔ 160 161 ⇔ 210 211 ⇔ 255	Geen functie Automatisch programma 1 Automatisch programma 2 Automatisch programma 3 Automatisch programma 4 Automatisch programma 5
	12	Automatische snelheid	000 ⇔ 255	0-100%
	13	Dimmersnelheid	000 ⇔ 051 052 ⇔ 101 102 ⇔ 152 153 ⇔ 203 204 ⇔ 255	Voorinstelling van de dimmersnelheid vanaf het displaymenu Lineaire dimmer Niet-lineaire dimcurve 1 (snelst) Niet-lineaire dimcurve 2 Niet-lineaire dimcurve 3 (langzaamst)

8Ch	Kanaal	Functie	Waarde	Percentage/instelling
	1	Dimmer	000 ⇔ 255	0-100%
	2	Rood	000 ⇔ 255	0-100%
	3	Groen	000 ⇔ 255	0-100%
	4	Blauw	000 ⇔ 255	0-100%
	5	Amber	000 ⇔ 255	0-100%
	6	Wit	000 ⇔ 255	0-100%
	7	UV	000 ⇔ 255	0-100%
	8	Stroboscoop	000 ⇔ 010 011 ⇔ 255	Geen functie Langzaam tot snel

6Ch	Kanaal	Functie	Waarde	Percentage/instelling
	1	Rood	000 ⇔ 255	0-100%
	2	Groen	000 ⇔ 255	0-100%
	3	Blauw	000 ⇔ 255	0-100%
	4	Amber	000 ⇔ 255	0-100%
	5	Wit	000 ⇔ 255	0-100%
	6	UV	000 ⇔ 255	0-100%

Contact Us

General Information	Technical Support
<b>Chauvet World Headquarters</b>	
Address: 5200 NW 108th Ave. Sunrise, FL 33351 Voice: (954) 577-4455 Fax: (954) 929-5560 Toll Free: (800) 762-1084	Voice: (844) 393-7575 Fax: (954) 756-8015 Email: <a href="mailto:chauvetcs@chauvetlighting.com">chauvetcs@chauvetlighting.com</a> Website: <a href="http://www.chauvetprofessional.com">www.chauvetprofessional.com</a>
<b>Chauvet Europe Ltd</b>	
Address: Unit 1C Brookhill Road Industrial Estate Pinxton, Nottingham, UK NG16 6NT Voice: +44 (0) 1773 511115 Fax: +44 (0) 1773 511110	Email: <a href="mailto:UKtech@chauvetlighting.eu">UKtech@chauvetlighting.eu</a> Website: <a href="http://www.chauvetprofessional.eu">www.chauvetprofessional.eu</a>
<b>Chauvet Europe BVBA</b>	
Address: Stokstraat 18 9770 Kruishoutem Belgium Voice: +32 9 388 93 97	Email: <a href="mailto:BNLtech@chauvetlighting.eu">BNLtech@chauvetlighting.eu</a> Website: <a href="http://www.chauvetprofessional.eu">www.chauvetprofessional.eu</a>
<b>Chauvet France</b>	
Address: 3, Rue Ampère 91380 Chilly-Mazarin France Voice: +33 1 78 85 33 59	Email: <a href="mailto:FRtech@chauvetlighting.fr">FRtech@chauvetlighting.fr</a> Website: <a href="http://www.chauvetprofessional.eu">www.chauvetprofessional.eu</a>
<b>Chauvet Germany</b>	
Address: Bruno-Bürgel-Str. 11 28759 Bremen Germany Voice: +49 421 62 60 20	Email: <a href="mailto:DEtech@chauvetlighting.de">DEtech@chauvetlighting.de</a> Website: <a href="http://www.chauvetprofessional.eu">www.chauvetprofessional.eu</a>
<b>Chauvet Mexico</b>	
Address: Av. de las Partidas 34 - 3B (Entrance by Calle 2) Zona Industrial Lerma Lerma, Edo. de México, CP 52000 Voice: +52 (728) 690-2010	Email: <a href="mailto:servicio@chauvet.com.mx">servicio@chauvet.com.mx</a> Website: <a href="http://www.chauvetprofessional.mx">www.chauvetprofessional.mx</a>

Visit the applicable website above to verify our contact information and instructions to request support. Outside the U.S., U.K., Ireland, Germany, France, Mexico or Benelux, contact the dealer of record.



UL 1573  
CSA C22.2 No. 166  
E113093

