

CANTATA LED FRESNEL, TWW

Date: _____

Type: _____

Firm Name: _____

Project: _____

The Strand Cantata LED Fresnel Tunable Warm White (TWW) is a modern LED theatrical Fresnel designed for midsized applications, offering adjustable color temperature of 2700K to 4500K, with a consistent CRI exceeding >94 CRI across the range. The Cantata LED Fresnel is also available in full color (RGBALC) and tunable cold white (4000K to 7000K) versions. Cantata uses a manually operated zoom system located on either side near the front of the luminaire, providing a smooth zoom range of 10° to 55°. The locking default standard size accessory rails located at the front of the fixture allows for further beam shaping using the optional 8 leaf barn door or third-party accessories. To ensure these high-powered LED fixtures are suitable for use in the quietest of applications, the Strand Cantata LED utilizes SmartFan Control technology with Standard, Studio, and Whisper modes.



- High output midsized LED theatrical luminaires - modern fixtures with quality you can trust.
- Full Color, Warm White, and Cool White Versions with Consistent High CRI - perfect fixture for any application.
- High CRI RGBALC Color System with SmartColor Control - wide range of vivid color options that can be programmed using CYM.
- Tunable white with >94 CRI - adjust color temperature without compromising output or quality of light.
- Independent color mixing and temperature controls - match color palette to color temperature without manual adjustment for simpler programming.
- Standard-size accessory rails to support optional 8 leaf barn door or third - party accessories- multiple, easily-accessible options to get the perfect look.
- Adjustable frequency to exceed camera frame rates - camera-friendly fixtures for IMAG, event recordings, or TV and film applications.
- Quiet operation with variable fan control (Standard, Studio, and Whisper) - perfect for use in quiet environments.

For detailed product information, please refer to the Product Guide at www.strandlighting.com/global/products/cantata-led-fresnel-tww



 **Strand**

Specifications

Due to continuous improvements and innovations, specifications may change without notice.

Source

LED	Bichromatic Light Engine
Source Max Power Consumption	121 x 4.5 W
Source CCT	Variable, 2700 K to 4500 K
LED Refresh Rate	12 Hz to 25kHz
Dimming	Electronic 16-bit
Dimmer Curves	Square Law (Default), Linear, S -Curve
Dimmer Control Option	Dimmer Snap On/Off On reduces auto dimmer smoothing
Tungsten Fade	Selectable on/off
Strobe	Electronic
Strobe Speed	0 - 30Hz
Strobe Modes	Standard, Lightening, Random

Optical Performance

Beam Angle	10 - 55°
Zoom Control	Manual control
Output Lumens	Standard - 11,550
Lens Size	215 mm (9.0 in)
CRI RA	96
CRI R9	80
Tm30	Rf 92 / Rg 102

Color System

Variable CTO	2700 K to 4500 K
--------------	------------------

Electrical

Output Power Consumption	300 W @ 120 V, 300 W @ 240 V
Power Connection	TrueOne Compatible - In / Thru Power cable not included - input connector only
Input Voltage	100–240 VAC, 50 / 60 Hz

Data

Supported Protocols	DMX512-A (RDM)
DMX Modes	
16-Bit (default)	7 Channels
8-Bit	5 Channels

Noise Level / Fan Control (Base Level 30 dB @ 1 m (3.3 ft))

Standard Mode	43 dB
Studio Mode	34 dB
Whisper Mode	30 dB
Fan Mode	Continuous (On) / Auto Ramping
Fan Level Preset	Standard, Studio, Whisper
Cooling System Type	Forced Air Cooling

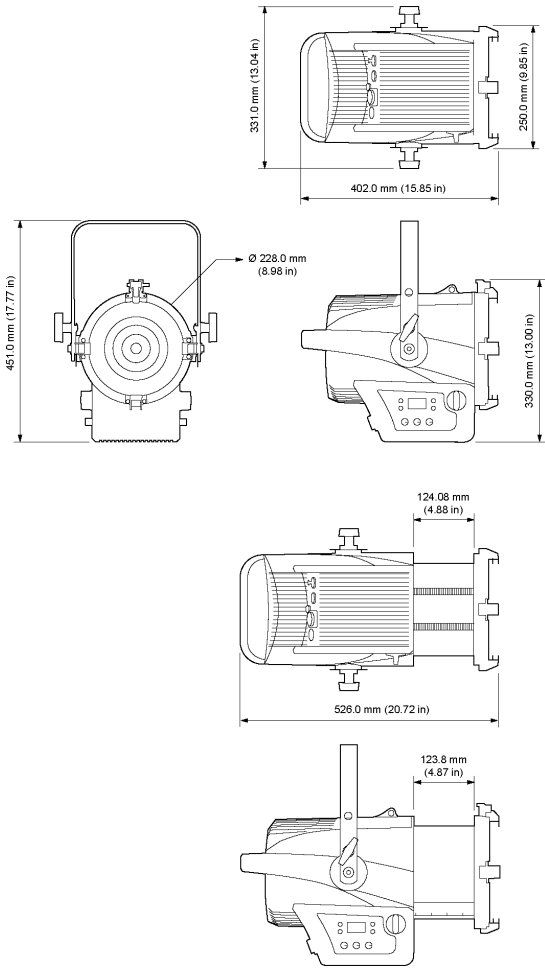
Mounting

Yoke	Double clutch locking yoke >270° Swivel Yoke M12 (1/2") Centre hole
------	---

Certification and Safety

Approbations	CE, ETL, UL, FCC CSA, RoHS, ISO 9001
IP Rating	IP20

Dimensions



Physical

Construction	Cast aluminium
Standard Finish	Black, White
Dimensions	250 x 300 x 403 mm (10.0 x 12.0 x 16.0 in)
Fixture Weight	9.8 kg (21.6 lb)
Operating Temperature	0-45°C (32-113°F)

Luminaire and Accessories

Product type	Order Code
CANTATA LED FRESNEL, Tunable Warm White, Black	64507-002
CANTATA LED TWW, 400w 2700 to 4500k Bichromatic Light Engine , c/w Power input connector, Black	
CANTATA LED FRESNEL, Tunable Warm White , White	64507-102
CANTATA LED TWW, 400w 2700 to 4500k Bichromatic Light Engine , c/w Power input connector, White	
Accessories	
CANTATA LED BARNDOOR	64507-004
CANTATA LED , Barn door - 8 Leaf,Black	
CANTATA LED GEL FRAME	2440118375
CANTATA LED , Gel frame	



© 2022 Signify Holding. All rights reserved. All trademarks are owned by Signify Holding or their respective owners. The information provided herein is subject to change, without notice. Signify does not give any representation or warranty as to the accuracy or completeness of the information included herein and shall not be liable for any action in reliance thereon. The information presented in this document is not intended as any commercial offer and does not form part of any quotation or contract, unless otherwise agreed by Signify. Data subject to change.

12/21/2021

Vari-Lite
www.strandlighting.com/global/products/cantata-led-fresnel-tww