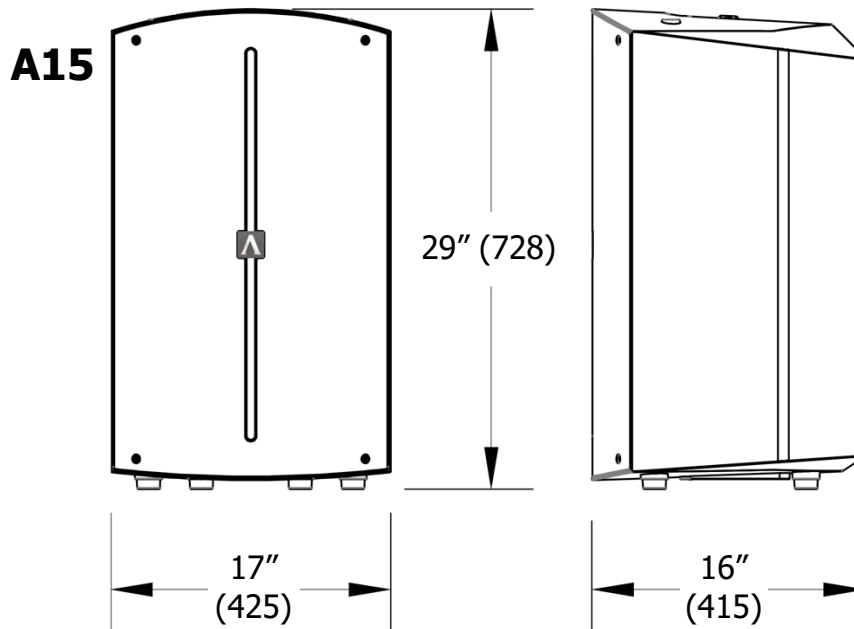
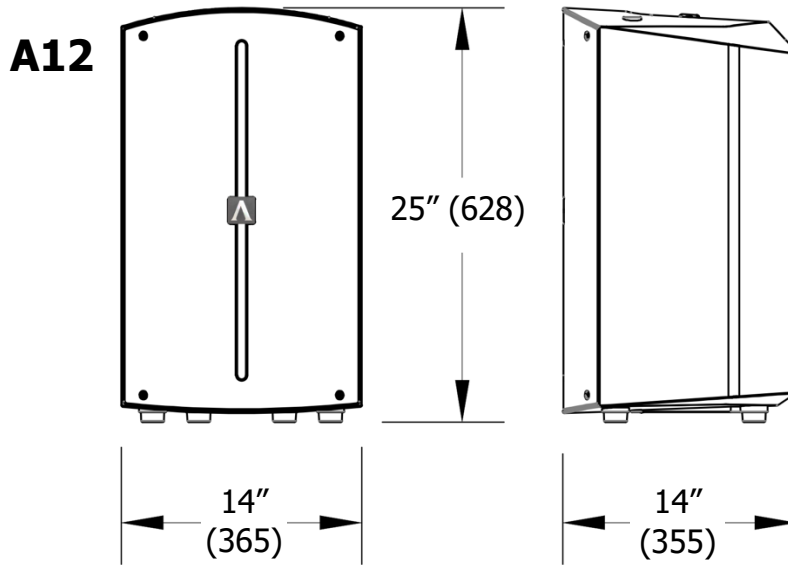
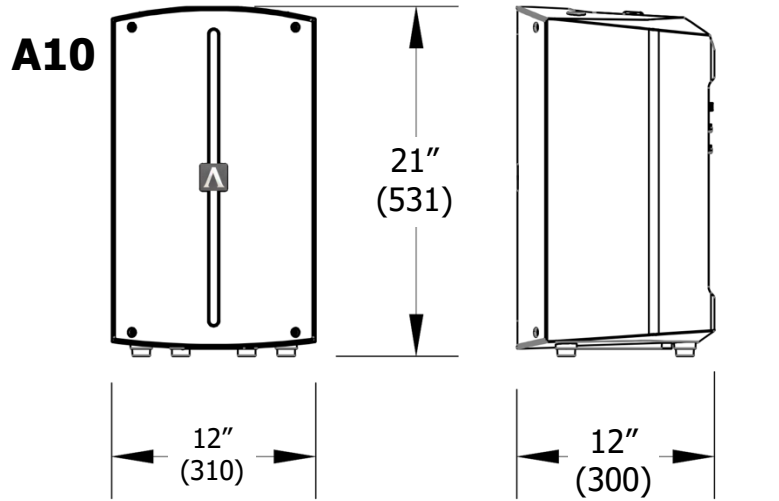
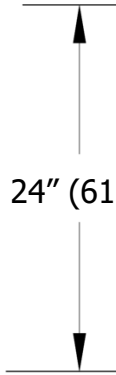
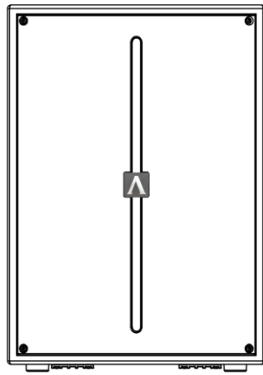


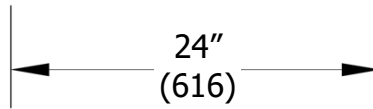
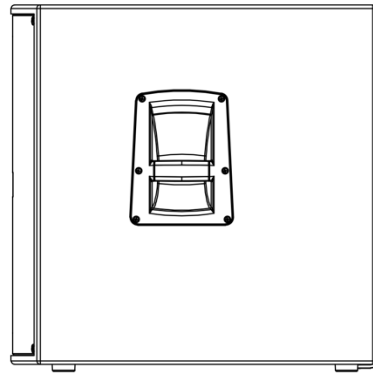
AVANTE ACHROMIC SPEAKER DIMENSIONS



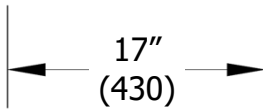
A15S



24" (612)

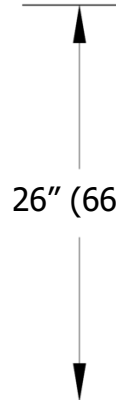
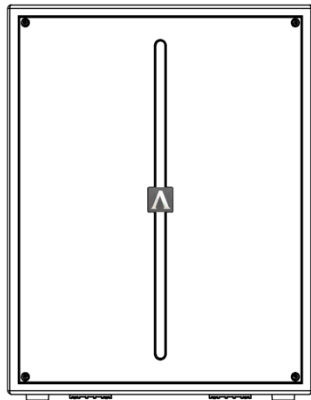


24" (616)

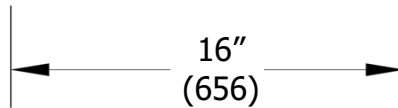
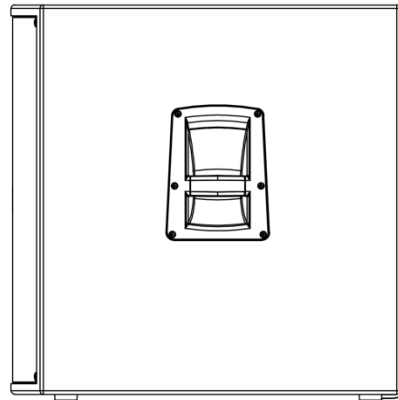


17" (430)

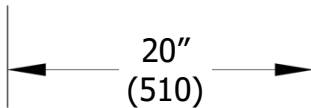
A18S



26" (662)

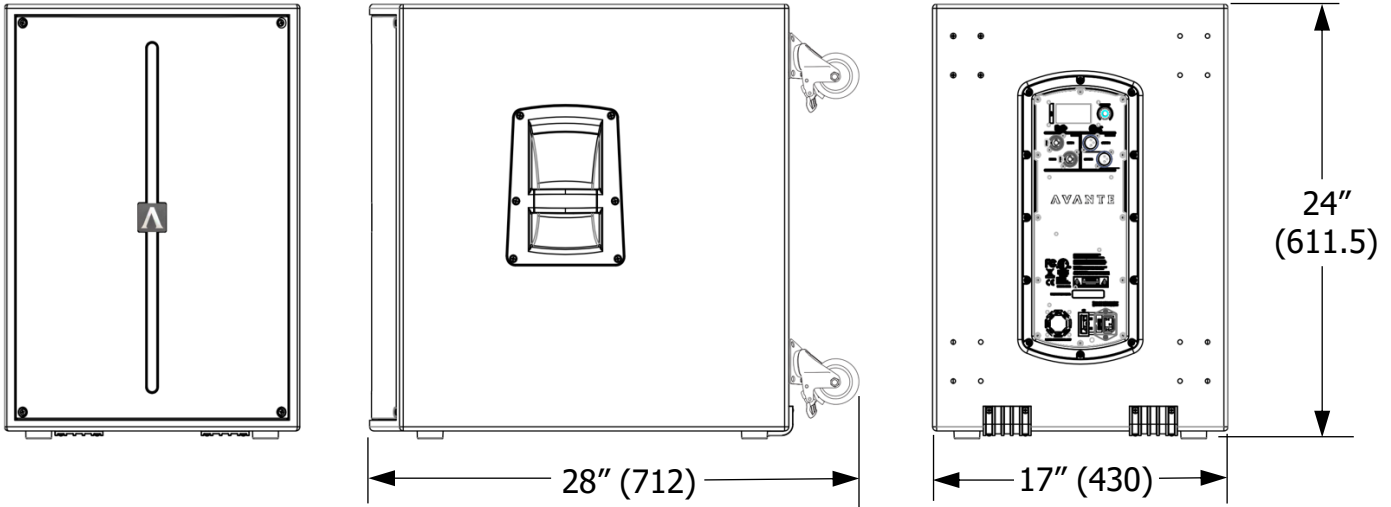


16" (656)

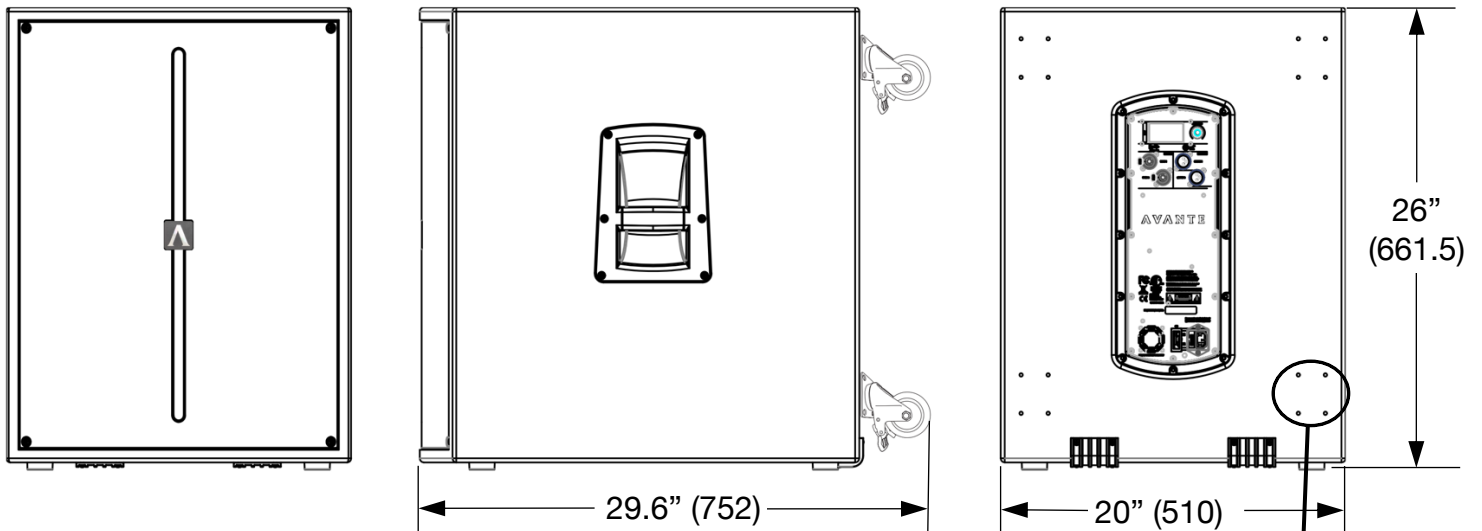


20" (510)

A15S (Subwoofer) with Casters: 20" x 24" x 28" (430 x 611.5 x 712mm)



A18S (Subwoofer) with Casters: 20" x 26" x 29.6" (510 x 661.5 x 752mm)



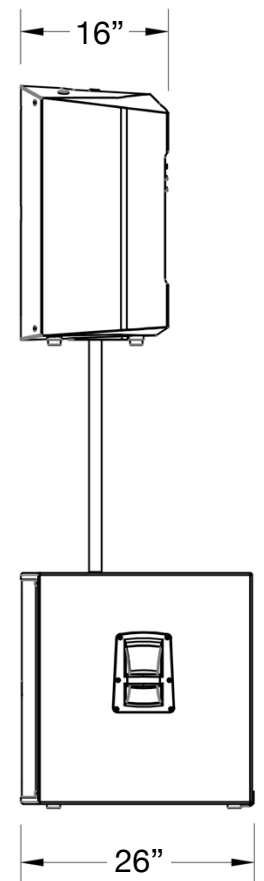
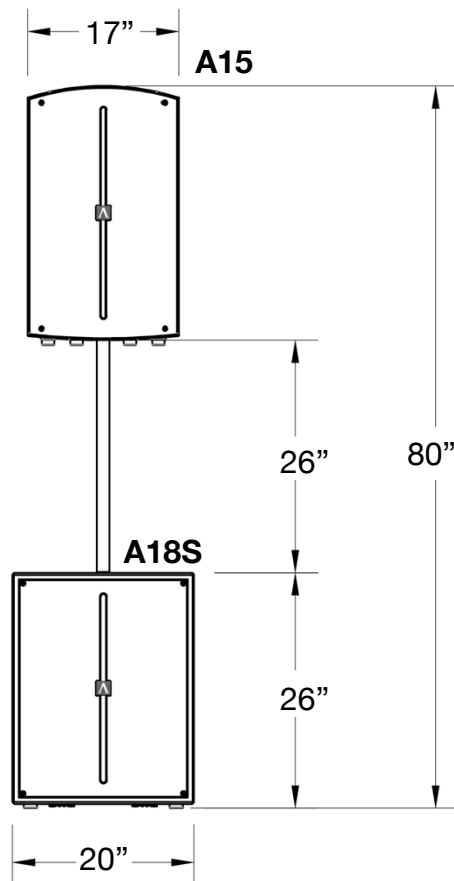
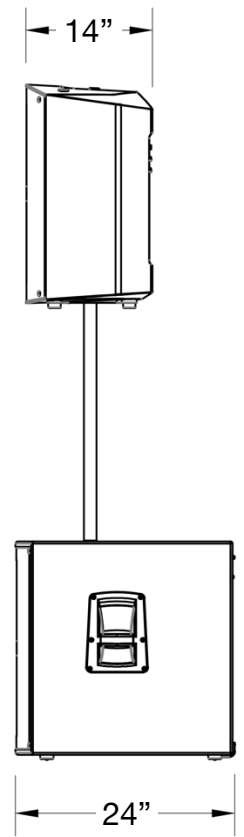
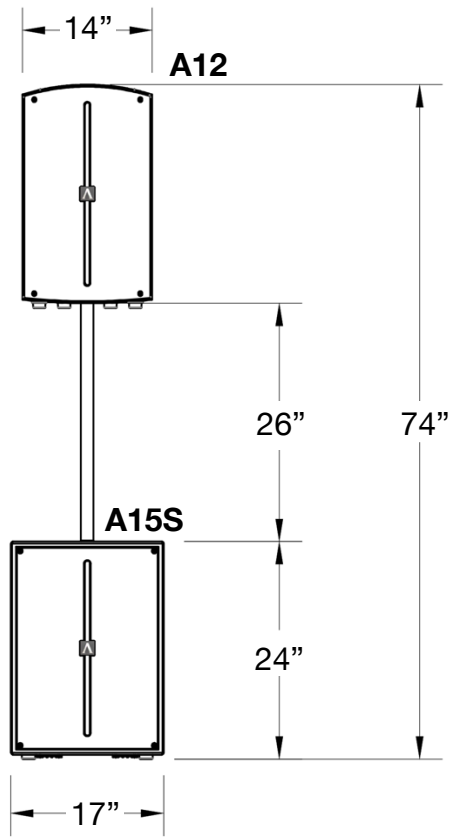
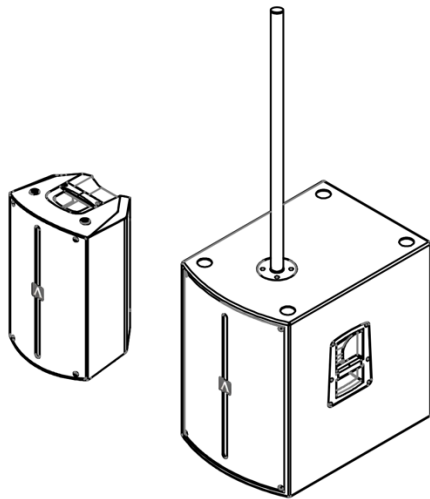
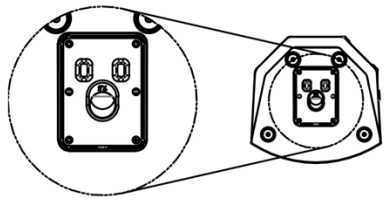
AVACK4:
Achromic A15S/A18S Caster Set (4)
(sold separately)



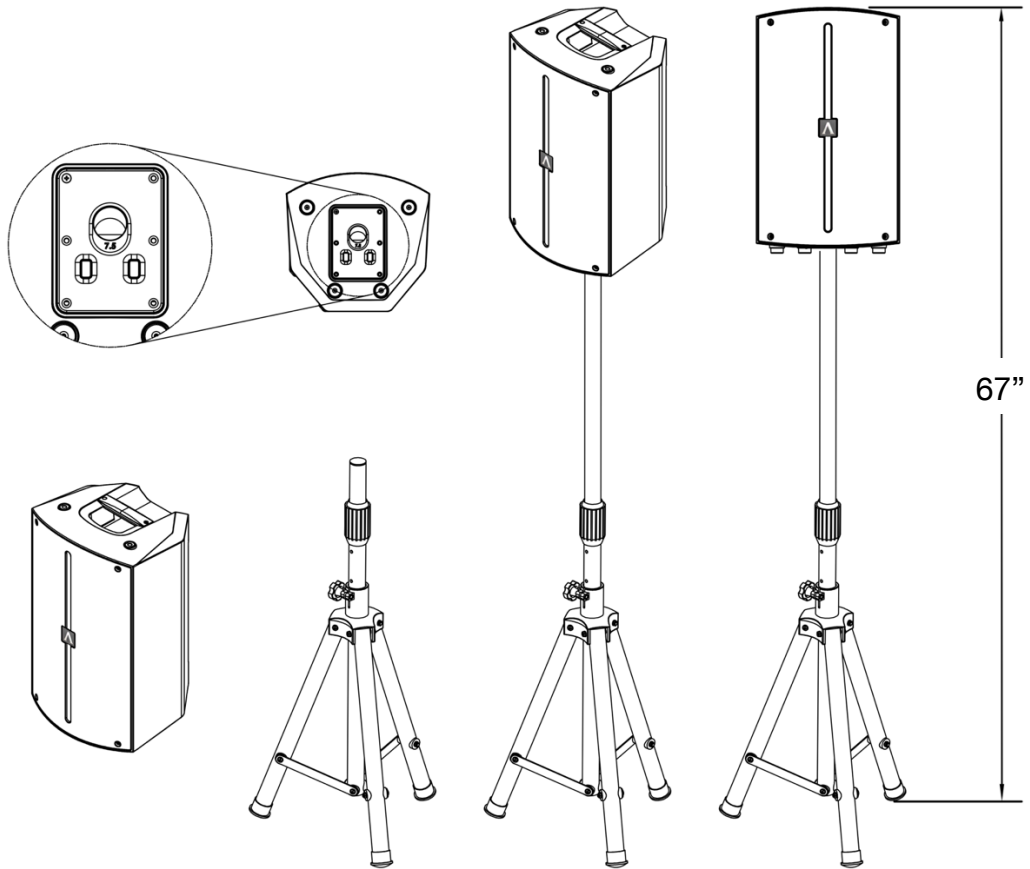
Install casters to back side of subwoofer using included hardware.

CAUTION!
DO NOT
OVERTIGHTEN
CASTER BOLTS!

Subwoofer Pole-Mounted Speakers



Standard Speaker Stand (stand not included)



Floor Monitor

A10, A12, and A15 speakers are all designed with integrated 45° angle back panels for use as floor monitors

Note that only one angled back panel has footing ridges to stabilize the speaker when positioned as a floor monitor

