

# 571MK-S

## Surface Mount Kit for 571C/571D



### Features

- Surface Mount Kit for 571C/571D
- Vertical or Horizontal Orientation
- Compatible with 1 or 2 Gang Electrical Box
- Compatible with 528 Series Back Boxes
- Decorative Trim Plate

### Applications

- Airports
- Industrial
- Mass Transit
- Corporate
- Educational

### General Description

The 571MK-DT desktop kit allows for the 571C or 571D communication stations to be mounted on top of a wall. A surface mount backbox is provided for mounting as well as a decorative trim plate to provide a clean look. The kit allows for both horizontal and vertical configurations of the 571C or 571D. **Note: the 571C/571D must be purchased separately.**

Holes are provided for mounting on standard 1 or 2 gang electrical boxes or 528 series back boxes.

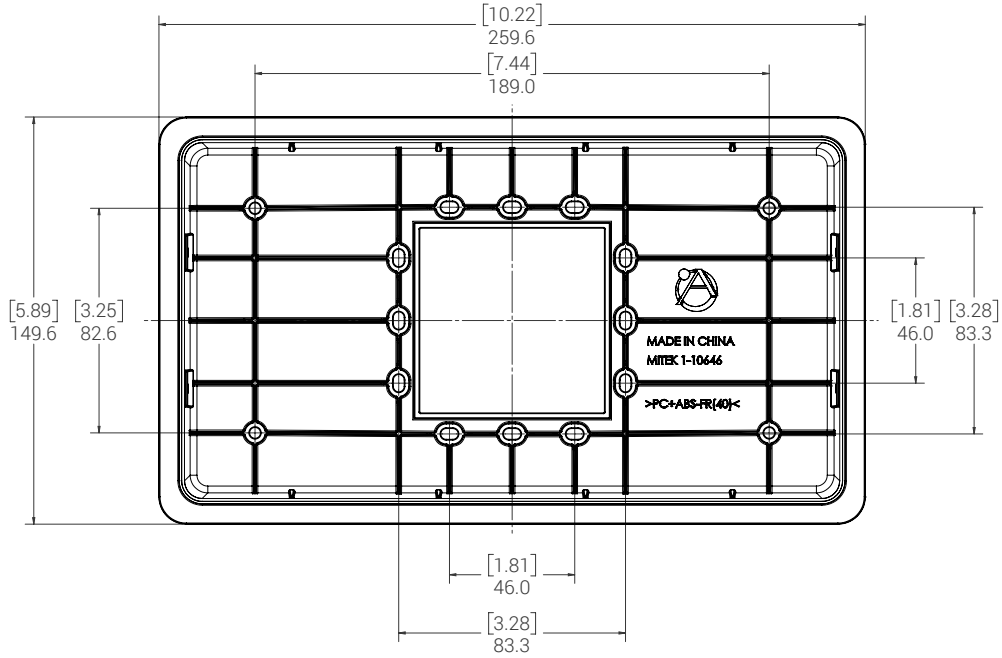
**Weight**

Flush Mount Kit - Unit Weight	.72 lbs/.33 kg
Flush Mount Kit - Shipping Weight	1.39 lbs/.63 kg.

©2021 Atlas Sound L.P. The Atlas "Circle-A", Soundolier, and Atlas Sound are trademarks of Atlas Sound L.P. IED is a Registered Trademark of Innovative Electronic Designs LLC. All rights reserved. All other Trademarks are property of their respective owners. No endorsement is implied. Due to continual product development, specifications are subject to change without notice. ATSO06818 RevA 12/21

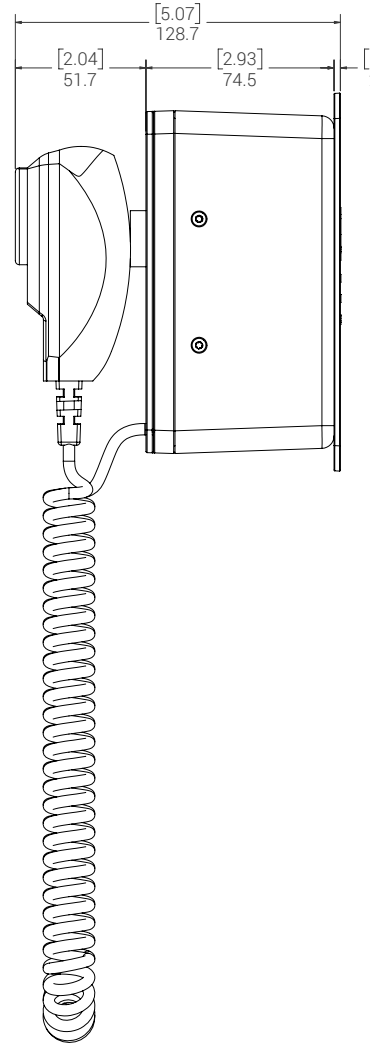
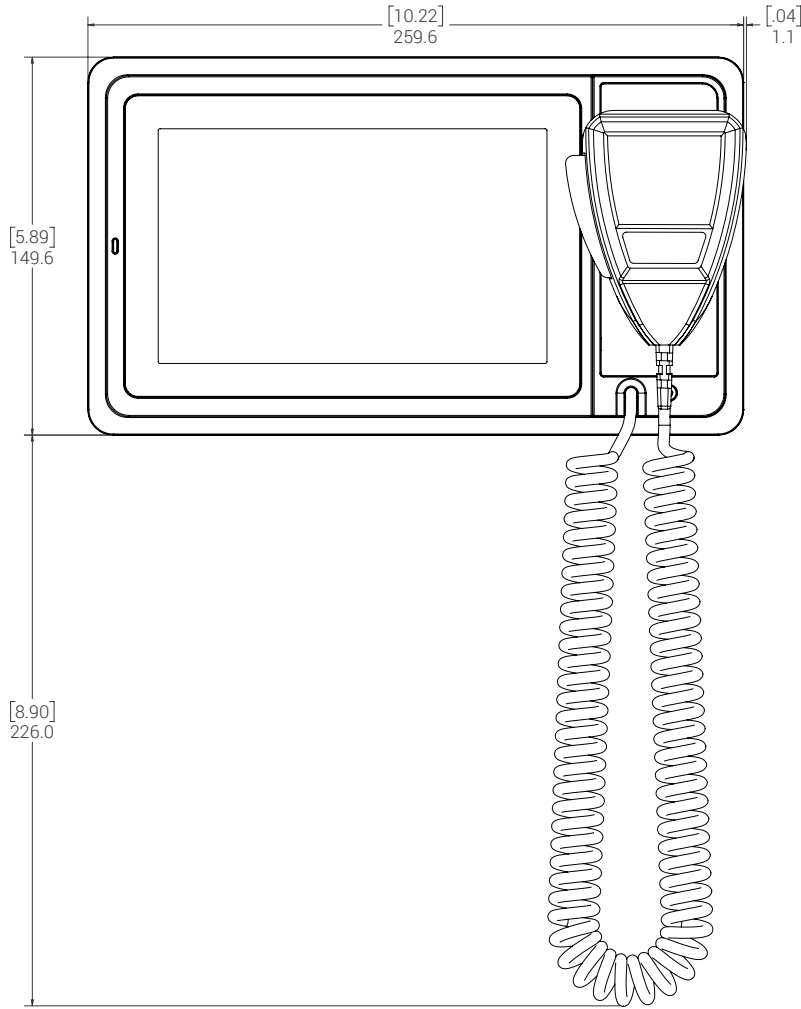
## Dimensional Drawings

### Horizontal configuration - Box + Trim Piece - w/o Core Unit



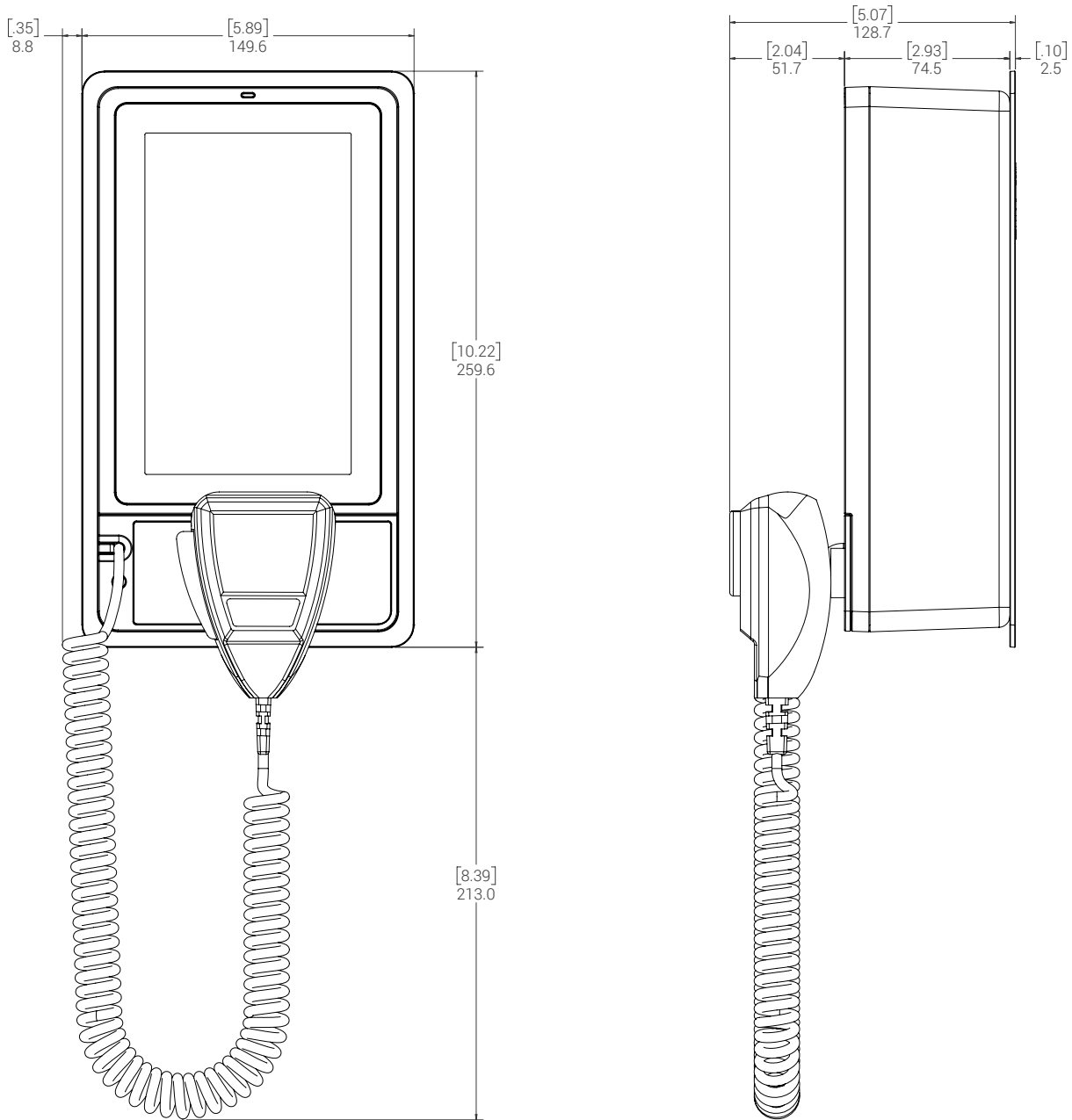
## Dimensional Drawings

### Horizontal Configuration - w/ Core Unit - Front/Side View



## Dimensional Drawings

### Vertical Configuration - w/ Core Unit - Front/Side View



©2021 Atlas Sound L.P. The Atlas "Circle-A", Soundolier, and Atlas Sound are trademarks of Atlas Sound L.P. IED is a Registered Trademark of Innovative Electronic Designs LLC. All rights reserved. All other Trademarks are property of their respective owners. No endorsement is implied. Due to continual product development, specifications are subject to change without notice. ATSO06818 RevA 12/21

## Architect and Engineer Specifications

The 571 surface mount kit shall have four screws for attaching to either the 571C or 571D communication station. It shall have holes for attaching to a standard ANSI/NEMA OS 1 or ANSI/NEMA OS 2 electrical box or an AtlasIED IEDA528SBB or IEDA528FBB back box. The kit shall contain a back box for mounting to a wall and a decorative trim plate. It shall be manufactured in plastic and colored RAL 9011 graphite black.

The 571 surface mount kit shall be the AtlasIED 571MK-S.