

TSD-DAC2i

2 CH PoE Dante™ Transmitter



Features

- Dante™ Digital Audio Platform
- 2 CH Balanced Analog Line Input
- Wide Range Gain Adjust -20dB to +20dB
- AUX, Line & Mic Levels
- Input Clip Indicator
- PoE Powered
- Mounting Plate
- Incorporates with WTSD Wall Mixers

Applications

- Any Project Requiring a Gateway from Analog Audio to Network Audio
- Network Audio Signal End Points
- Hotel Ballroom Analog Announcing Stations
- School Gym / Auditorium Audio Interface
- Analog Paging Station Conversions to Dante™ Digital Audio
- Transportation Station Audio Interface

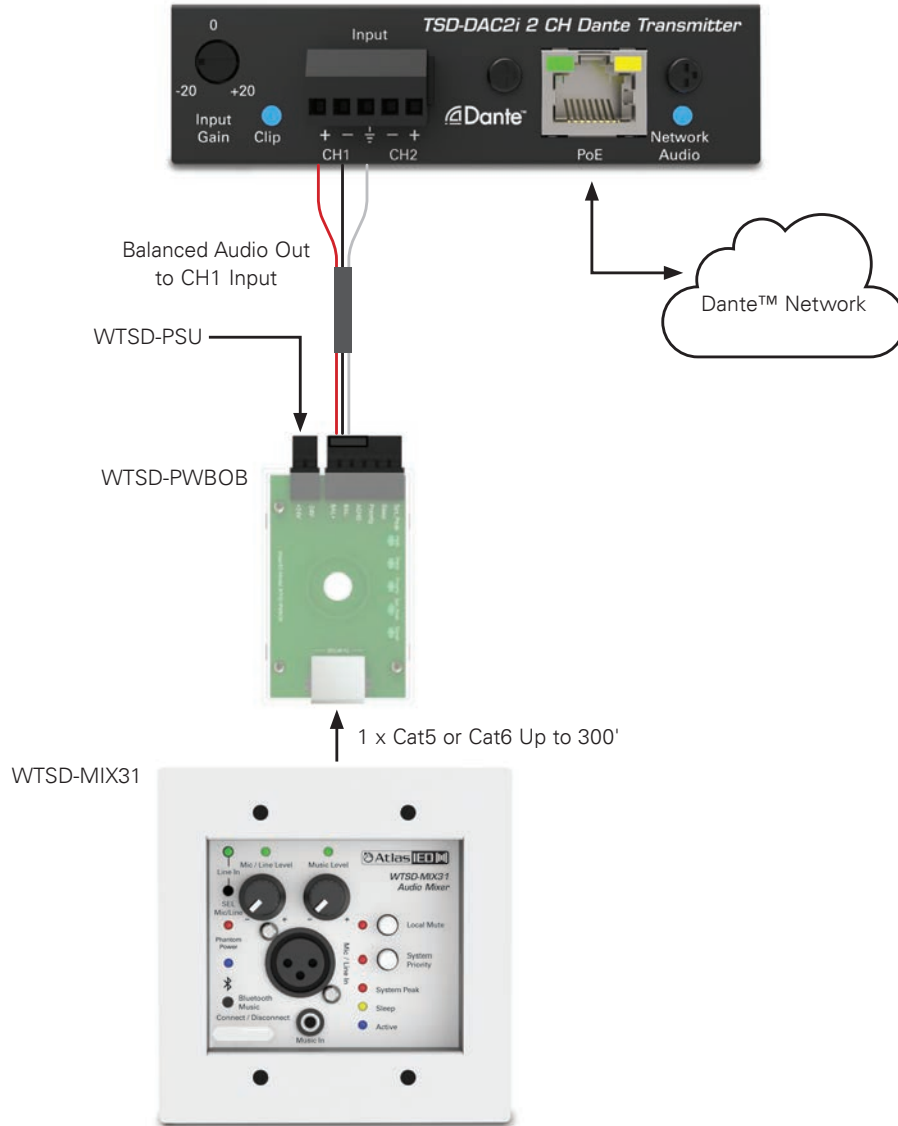
General Description

The AtlasIED TSD-DAC2i is a PoE 2 CH analog pre-amplifier that converts analog audio signals into Dante digital audio. The AtlasIED TSD-DAC2i can be used for any Analog to Dante digital audio end point but is ideally suited to be used with the AtlasIED WTSD wall mixer series. Once converted into Dante digital audio, the audio can be transmitted over IP networks and routed in the Dante Controller software. The AtlasIED TSD-DAC2i Dante Transmitter I/O Module features two analog balanced line inputs with a variable gain to operate from Line to Mic level. An Input Clip indicator prevents unwanted input clipping. There are indicators for Power and a Network connection. The AtlasIED TSD-DAC2i requires no external power supply. It is powered via a Network PoE port or a PoE cable power injector.

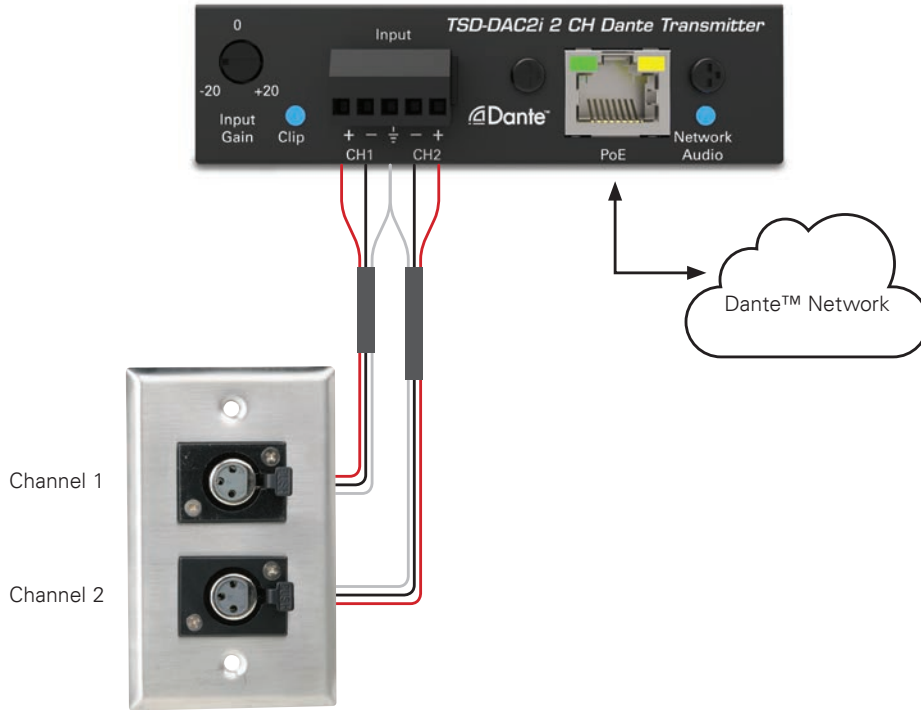
System	
Type	2-CH PoE Dante™ Transmitter
Network Connection	Single RJ-45, CAT-5 (or better), PoE Switch or Injector Required
Inputs	
Input Connectors	Qty 1
Type	5 Position Phoenix Type, 3.5mm Pitch
Input Gain Selection (See Note 1)	0dBu Output When Reference to 20dBFS Equipment "0" = -10dBu, (230mV AUX Levels) "-20" = +10dBu, (2.5V Line Levels) "+20" = -30dBu (25mV Mic Levels)
Phantom Power	N/A
Status Indicators	
Input	N/A
Output	N/A
Data	Green, Located on RJ45
Network Audio	Blue, Qty 1
Power	Yellow, Located on RJ45
Input Clip	Red, Qty 1
Electrical Specifications	
Analog Input Impedance	15KΩ
Analog Output Impedance	N/A
Input Clip LED On Threshold	A. "-20" = 23.5 dBu +/-1dBu (11.8V) B. "0" = 9.4dBu +/-1dBu (2.3V) C. "+20" = -10.9dBu +/-1dBu (220mV)
Maximum Input Level	A. "-20" = 23.5 dBu +/-1dBu (11.8V) B. "0" = 9.4dBu +/-1dBu (2.3V) C. "+20" = -10.9dBu +/-1dBu (220mV)
Dante™ Transmission Speed	100Mbps
Frequency Response	20Hz - 20KHz +/- 2dB
THD	0.06% @ 1KHz
Signal To Noise	95dB @ 1kHz (A Weighted)
Dynamic Range	100dB (-60dBFS A Weighted)
Power	PoE (52V 36mA)
Power Consumption	1.9W
Mechanical	
Dimensions (HxWxD)	1" x 3.6" x 3.17" (25mm x 93mm x 81mm)
Shipping Dimensions (HxWxD)	2" x 5.5" x 4.25" (51mm x 140mm x 108mm)
Unit Weight - lbs	0.44 lbs (0.20kg)
Shipping Weight - lbs	0.7 lbs (0.32kg)
Color	Black
Material	Steel
Mount	Mounting Plate & M3 x 4MM Screws, Qty 2

Note 1: The TSD-DAC2i gain adjustments listed above is the amount of analog signal required to achieve 0dBu output in system reference to 20dBFS (Decibels Full Scale). Most commercial and pro audio equipment gains are in the range of 20dBu – 24dBu. Read the entire manual to understand these settings.

Integrating the TSD-DAC2i with a WTSD Wall Plate Mixer



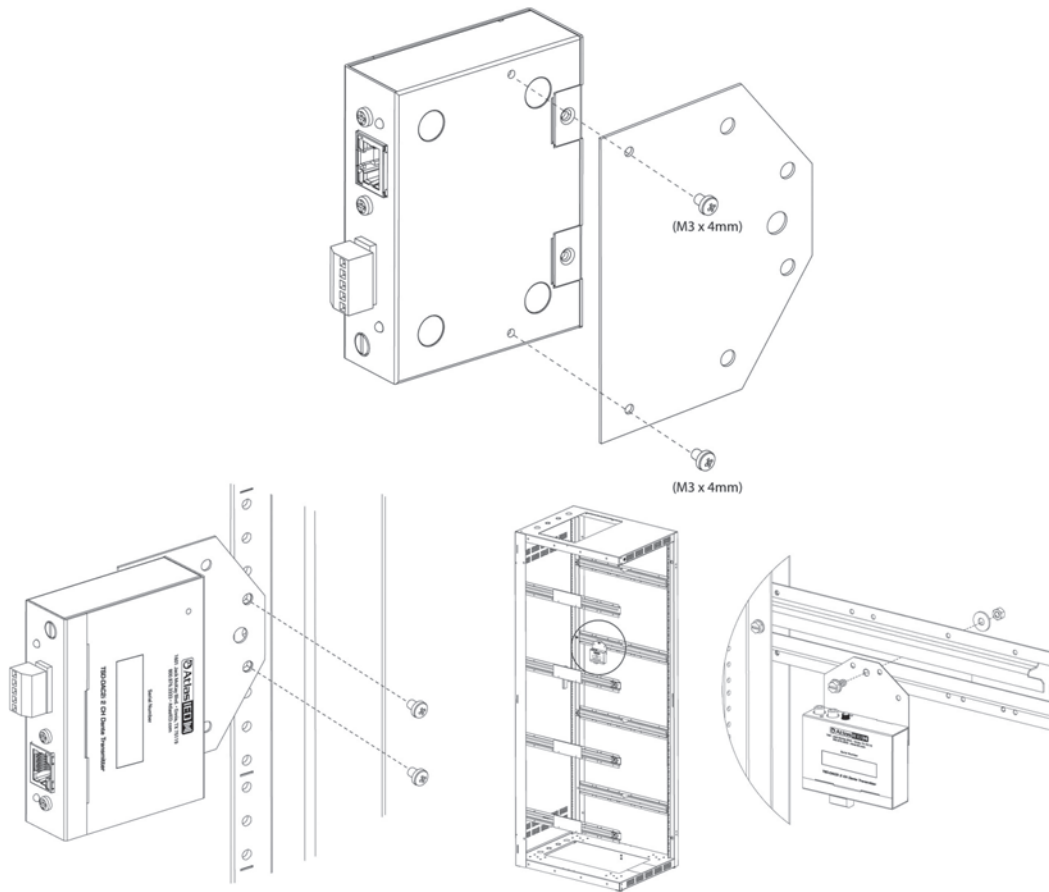
Integrating the TSD-DAC2i with Two Analog Sources



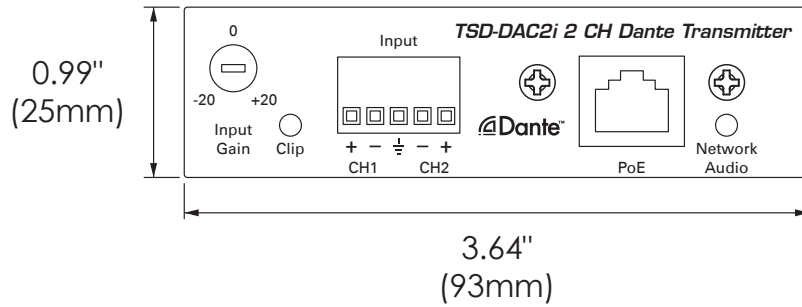
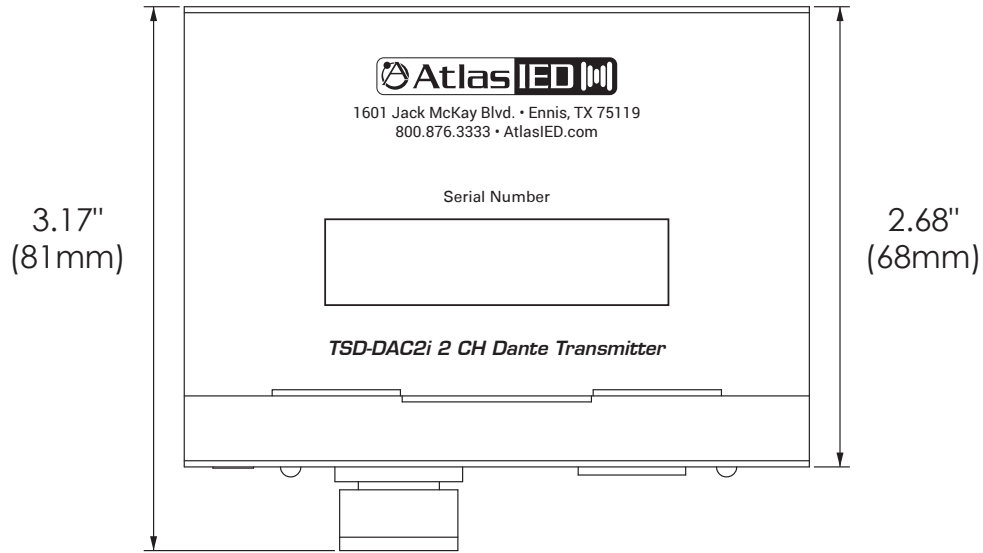
©2019 Atlas Sound LP. The Atlas "Circle A", Soundolier, and Atlas Sound are trademarks of Atlas Sound L.P. IED is a Registered Trademark of Innovative Electronic Designs LLC. All rights reserved. All other Trademarks are property of their respective owners. No endorsement is implied. Due to continual product development, specifications are subject to change without notice. ATSO05999 RevA 7/19

Mounting the TSD-DAC2i

Multi Mount Plate - Each TSD-DAC2i includes a versatile multi-position mounting plate. This plate allows the TSD to be mounted to any surface, but is ideal for use with rear rack rails or side rack hat channels. Use the included M3 x 4mm screws to install the plate on the TSD.



Dimensional Drawings



Architect and Engineer Specifications

The AtlasIED TSD-DAC2i shall be a PoE 2 CH analog pre-amplifier that converts analog audio signals into Dante digital audio. The AtlasIED TSD-DAC2i shall be used for any Analog to Dante digital audio end point. The TSD-DAC2i shall be ideally suited to be used with the AtlasIED WTSD wall mixer series.

The AtlasIED TSD-DAC2i Dante Transmitter I/O Module shall have two analog balanced line inputs with a variable gain to operate from Line to Mic level. Input Clip indicator prevents unwanted input clipping. The TSD-DAC2i shall have indicators for Power and a Network connection. AtlasIED TSD-DAC2i shall be powered by a Network PoE port or a PoE cable power injector and requires no external power supply.

Warranty shall be for 12 months.