

SM63T-B(-WH)

Strategy Series® Surface Mount Loudspeaker System



Features

- Compact, 2-way loudspeaker systems for exceptional performance in music and sound reinforcement systems
- Weather-resistant construction for year-round indoor or outdoor use
- UV-resistant-talc-impregnated-polypropylene injection molded enclosure, powder coated aluminum grilles and all brass hardware inserts
- Conforms to 100HR salt spray test per ASTM B117
- Color matched heavy-duty zinc plated and powder coated "C" bracket (included)
- Highly efficient 6 1/2" water resistant, composite cone woofer
- 20mm FerroFluid™ cooled dome tweeter
- Atlas Sound POLYGUARD™ high frequency circuit diverts damaging transient signals to protect the tweeter
- All 1/4"-20 hardware inserts allow easy integration of "off-the-shelf" security hardware
- Screwdriver adjustable 32-Watt 70.7V / 100V Transformer for distributed sound applications. (Includes Transformer bypass setting for direct coupled 8Ω operation)
- OMNIMOUNT™ 10 Series compatible
- Available in black or white

Applications

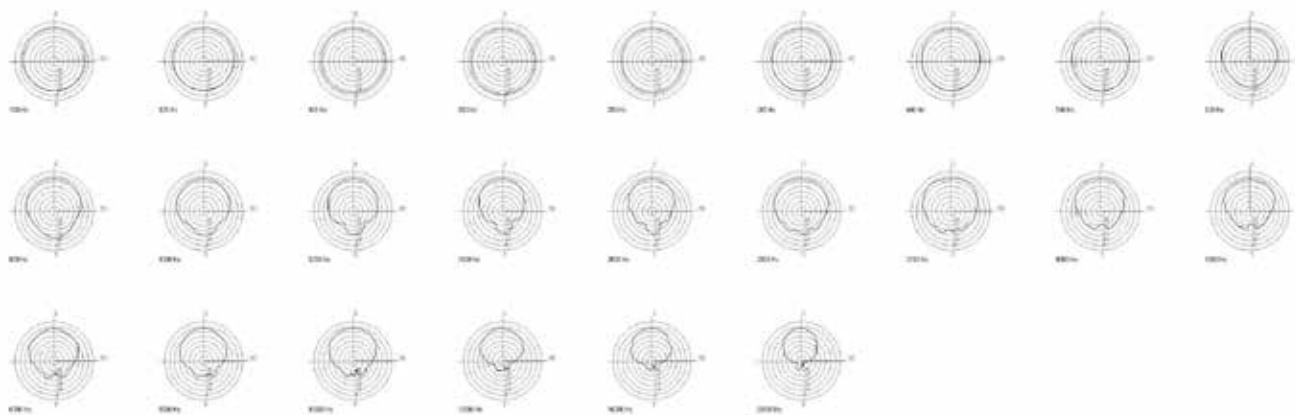
Use surface-mount Atlas Sound SM63T-B and SM63T-WH loudspeaker systems for commercial, professional and residential applications or where high-fidelity sound and weather-resistance are desired. Full-range frequency response makes these systems ideal for indoor or outdoor installation, in monaural and stereo foreground or background music systems, and for applications in boutiques/shops, restaurants/cafes, leisure, recreation/sports centers, and houses of worship. Multi-position, C-shaped mounting bracket and rugged construction provide optimum installation flexibility and assurance of long-term service.

General Description

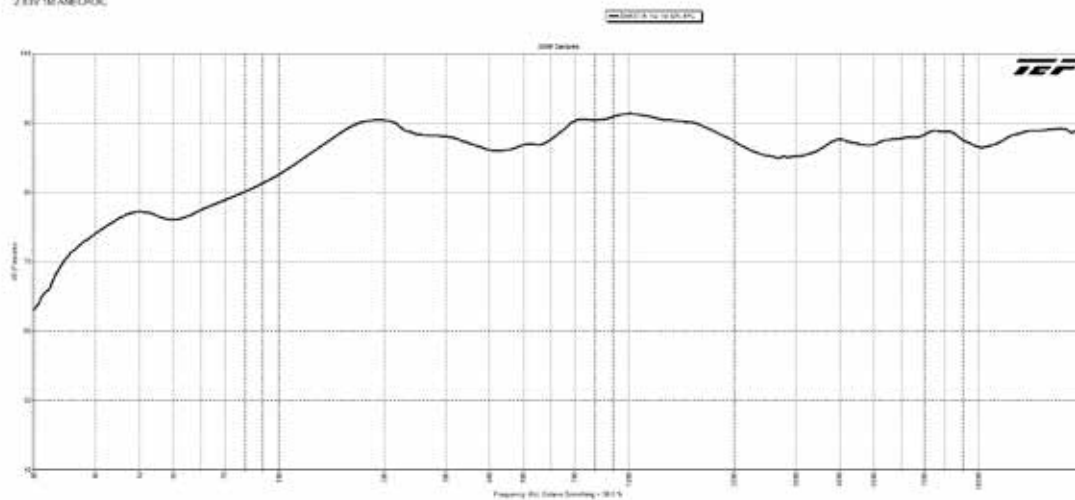
Environment-resistant SM Series loudspeaker systems offer quality sound reproduction and contemporary styling in a compact enclosure. System components consist of a highly efficient woofer section and Ferrofluid cooled, polymer reinforced linen composite dome high frequency device. This design provides smooth, even sound coverage (120° conical). The high frequency section is symmetrical, for equal coverage in both vertical and horizontal cabinet mounting positions. High frequency component protection is provided by the Atlas Sound PolyGuard™ protection circuit. The SM63T includes an internally mounted 32-watt 70.7V/100V line matching transformer with screwdriver adjustable tap selection for use in distributed sound applications. The tap selection switch also includes a transformer bypass setting for direct coupled 8Ω operation.

System	
Type	Two-Way, Full Range, Surface Mount Loudspeaker
Operation Mode	Non-Powered Passive
Operating Range (-10db)	90 Hz - 18.5 kHz
Frequency Response (+/- 3dB)	104Hz - 20kHz (±3 dB)
Vertical Coverage:	120° Conical (500 Hz to 6 kHz)
Horizontal Coverage:	120° Conical (500 Hz to 6 kHz)
Max Input Ratings (8 ohm)	75-W continuous, 150W program 22 volts RMS, 49 volts momentary peak
Transformer Taps - 70.7V	32W, 16W, 8W, 4W
Transformer Taps - 100V	32W, 16W, 8W
Directivity Factor (Q)	13.46 @ 2kHz
Directivity Factor (DI)	11.3 @ 2kHz
Input Sensitivity at 1W/1m	88.5 dBSPL
Max SPL at 1 m (passive)	121 dB continuous / 127 dB peak
Transducers	
LF transducer qty and size	1 x 6.5-inch
LF voice coil size	1-inch
MF transducer qty and size	N/A
MF voice coil size	N/A
HF transducer qty and size	1 x 20mm Tweeter
Maximum Output	
Nominal Impedance	8 ohms
Minimum Impedance	7.6 ohms @ 330 Hz
Crossover Frequency	2.7kHz
Driver Protection	AtlasIED Polyguard™
Enclosure	
Color	Available in Black or White
Enclosure Material	UV-Resistant Talc Impregnated Polypropylene
Grille Material	Powder Coated Aluminum
Baffle Material	UV-Resistant Talc Impregnated Polypropylene
Mount Material	Heavy Duty Zinc Plated and Powder Coated
Input Connection	2 Pole Barrier Strip with Weather-Resistant Cover
Controls	Rear Mounted Wattage / Low Impedance Selector Switch
Mounting/Rigging Provisions	Weather Resistant Steel "U" Brackets Included
Safety Features	N/A
Safety Agency Ratings	N/A
Ingress Protection	IP33
Environmental Testing	Salt fog: MIL-STD-810G / Humidity: MIL-STD-810G / High and low temperature: -20° and 50° C
Cutout Diameter	N/A
Logo	Blue- Removable Atlas "A" (Rotatable)
Product Dimensions (HxWxD)	7.24" x 10.27" x 6.68" (184mm x 261mm x 170mm)
Shipping Dimensions (HxWxD)	20.5" x 18.25" x 16.5" (520.7mm x 463.55mm x 419.1mm) (Packaged in Pairs)
Net Weight - lbs	8.45 lbs (3.84 kg)
Shipping Weight - lbs	36.4 lbs. (16.5 kg)
Warranty Coverage	
Warranty Period	5 Years

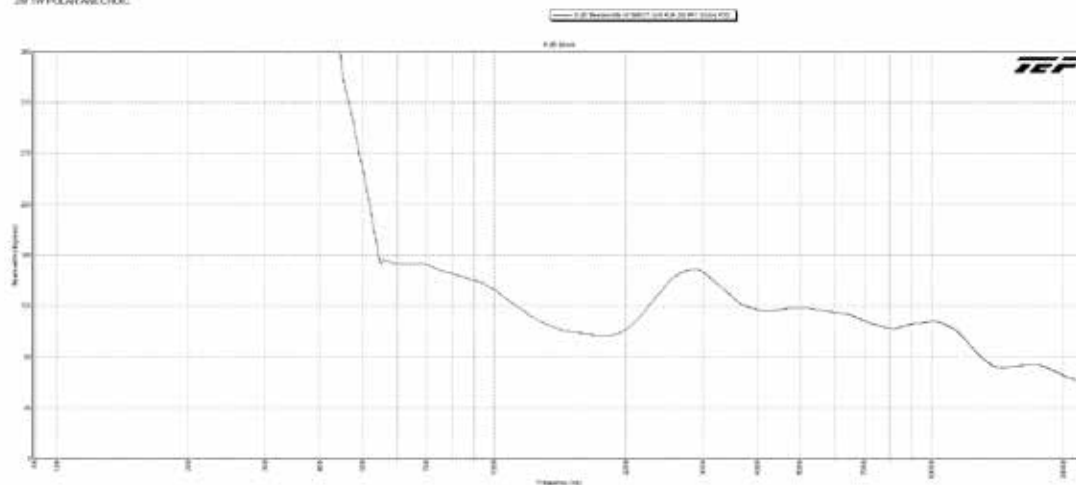
©2018 Atlas Sound LP. The Atlas "Circle A" Soundolier, and Atlas Sound are trademarks of Atlas Sound L.P. IED is a Registered Trademark of Innovative Electronic Designs LLC. All rights reserved. All other Trademarks are property of their respective owners. No endorsement is implied. Due to continual product development, specifications are subject to change without notice. ATSO05786 RevA 5/18



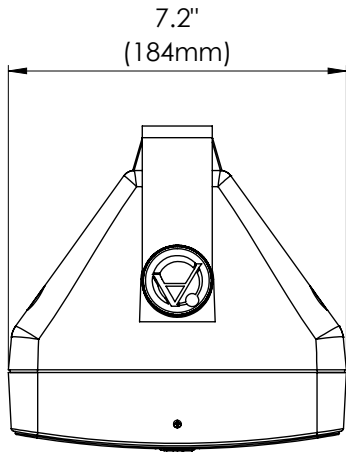
SR031 18 110 VM SPL
5/13/2018 8:15:26 AM
2.87V 1M ANECHOIC



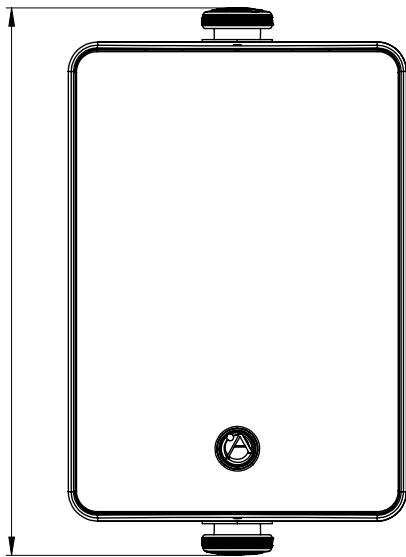
5 dB down
2/2/2018 3:25:43 PM
2M 11V POLARANE CHOC



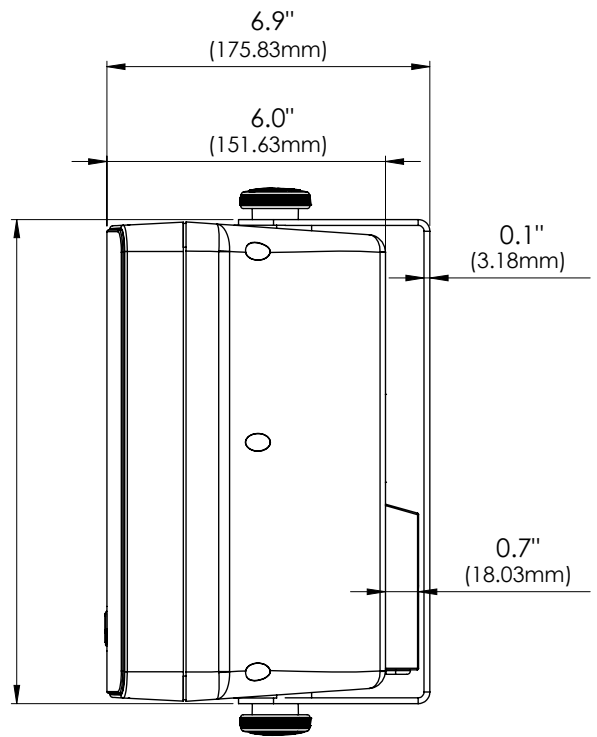
Dimensional Drawings



11.7"
(297.99mm)



10.4"
(263.53mm)



©2018 Atlas Sound LP. The Atlas "Circle A" Soundolier, and Atlas Sound are trademarks of Atlas Sound L.P. IED is a Registered Trademark of Innovative Electronic Designs LLC. All rights reserved. All other Trademarks are property of their respective owners. No endorsement is implied. Due to continual product development, specifications are subject to change without notice. ATSO05786 RevA 5/18

Architect and Engineer Specifications

The indoor/outdoor loudspeaker system shall be Atlas Sound Model SM63T-____ (B or WH) or approved equal. Assemblies shall consist of 2-way, woofer and tweeter, within environment-resistant housings. Enclosure shall be constructed of paintable UV-resistant, talc impregnated, polypropylene, injection molded plastic finished in black (SM63T-B) or white (SM63T-WH).

Each unit shall include a stamped, powder coated, aluminum grille and removable C-shaped mounting bracket. All hardware inserts shall be brass and threaded 1/4"-20. The 75-Watt RMS system shall have a 6-1/2" (165.1mm) woofer, constructed of water resistant, composite cone woofer and a 20mm Ferrofluid cooled tweeter. The dividing network crossover frequency shall be 2.7kHz. The dividing network shall include protection circuits for the high-frequency component. Each unit shall include an internally mounted 32-Watt 70.7V / 100V line matching transformer for use in distributed sound applications wattage taps shall be screwdriver selectable via a sealed switch located near the input section. Wattage taps shall be 4, 8, 16, and 32 @ 70.7V plus transformer bypass setting for direct coupled 8Ω operation. The loudspeaker system shall meet the following performance criteria: Power handling: 75-Watts RMS; Frequency response: 118Hz – 20kHz (±3dB); Pressure sensitivity, 88dB SPL at one watt, 100Hz – 10kHz measured at a distance of one

meter on axis. Input connectors shall include a two-pole barrier strip capable of accepting up to two #16AWG cables. A tongue-in-groove cover with rubber wire exit grommet shall be provided to protect the input connectors from corrosion. The unit shall be 10.27" (260.9mm) high, 7.24" (183.9mm) wide, and 6.68" (169.7mm) deep. Weight Shall be 8.45lbs (3.86kg).